

Happy beds™

www.happybeds.co.uk

Assembly Instructions

150 CM ROME BED



IMPORTANT: READ THESE INSTRUCTIONS CAREFULLY BEFORE ATTEMPTING TO ASSEMBLE OR USE YOUR 150 CM ROME BED.

PLEASE KEEP THESE INSTRUCTIONS FOR FUTURE REFERENCE.

ASSEMBLY:

Assembly should be carried out with this item laying flat, not standing upright.
Assemble on a soft, clean surface to prevent damages.

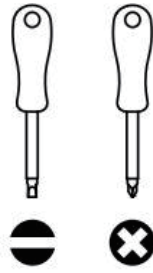
HEALTH&SAFETY:

DO NOT use this product if any parts are missing, damaged or worn.
DO NOT use this product unless all fixings are secured. Always use on a level, even surface.

CARE&MAINTENANCE:

Periodically check all screws & fixings to ensure they are secure.
DO NOT push this product as this will cause damage.
Always lift this product with two people to repositions.
Keep any sharp objects away from this product.

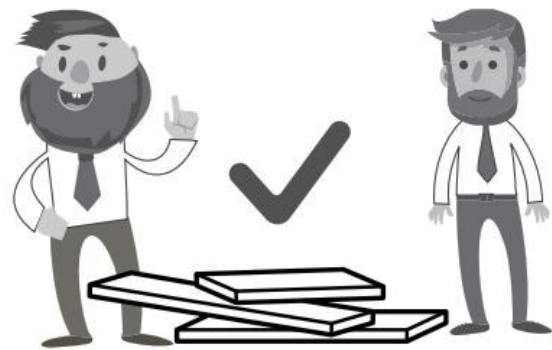
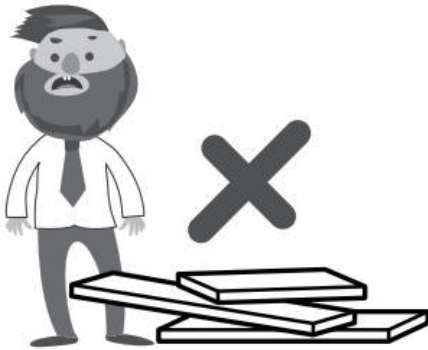
www.happybeds.co.uk



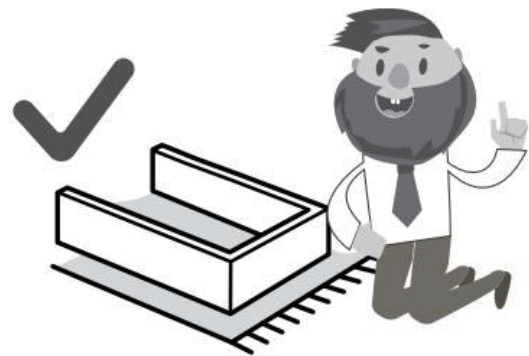
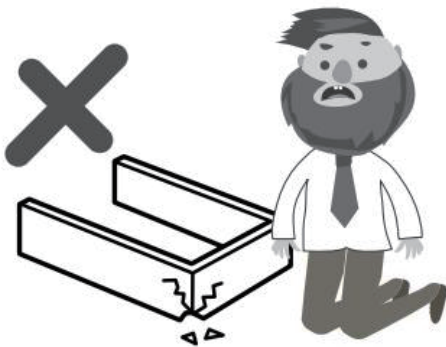
(Not metal)

These tools are not necessary, but may help to assemble certain parts of the product.

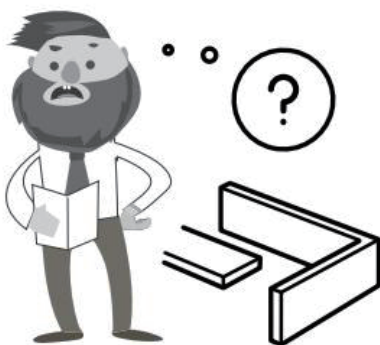
Do NOT use any power tools as this may damage the frame.



This product or some parts of this product will be heavy. Please use an assistant when lifting.

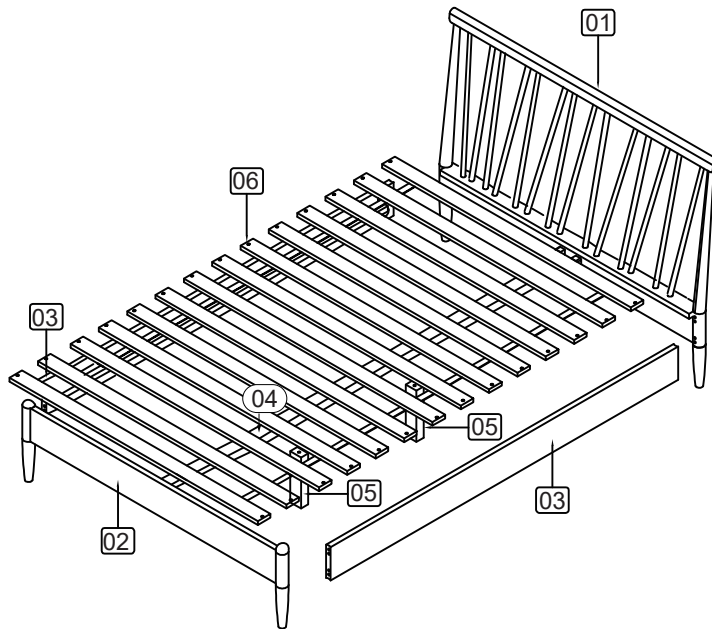


Never drag or push the pieces across a hard or stone floor as this will cause damage to the joints. Use a carpet or a rug for extra care.



If you have problems assembling or have damaged or missing pieces, please contact us by visiting:

<https://www.happybeds.co.uk/customer-service>



Parts List

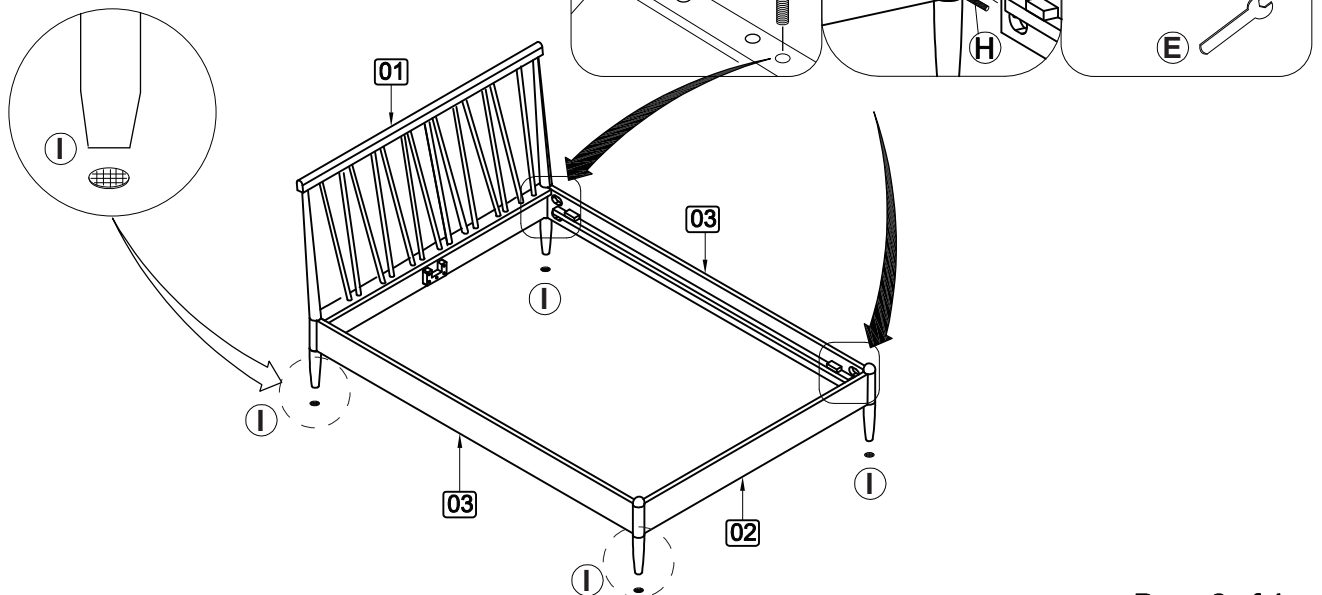
Hardware List (BOX 1)

Part	Description	Box	Qty	Part	Description	Qty
01	Headboard	1	1	A	Bolts	2
02	Footboard	1	1	B	Screw Rod	8
03	Siderails	2	2	C	Half Moon Washer	8
04	Center slat	2	1	D	Nut	8
05	Support legs	1	2	E	Wrench	1
06	Bed slat	1	1 Set	F	Allen key	1
				G	Screws	30
				H	Wooden Dowel	8
				I	Feet pad	4
				J	Adjustable Leveller	2

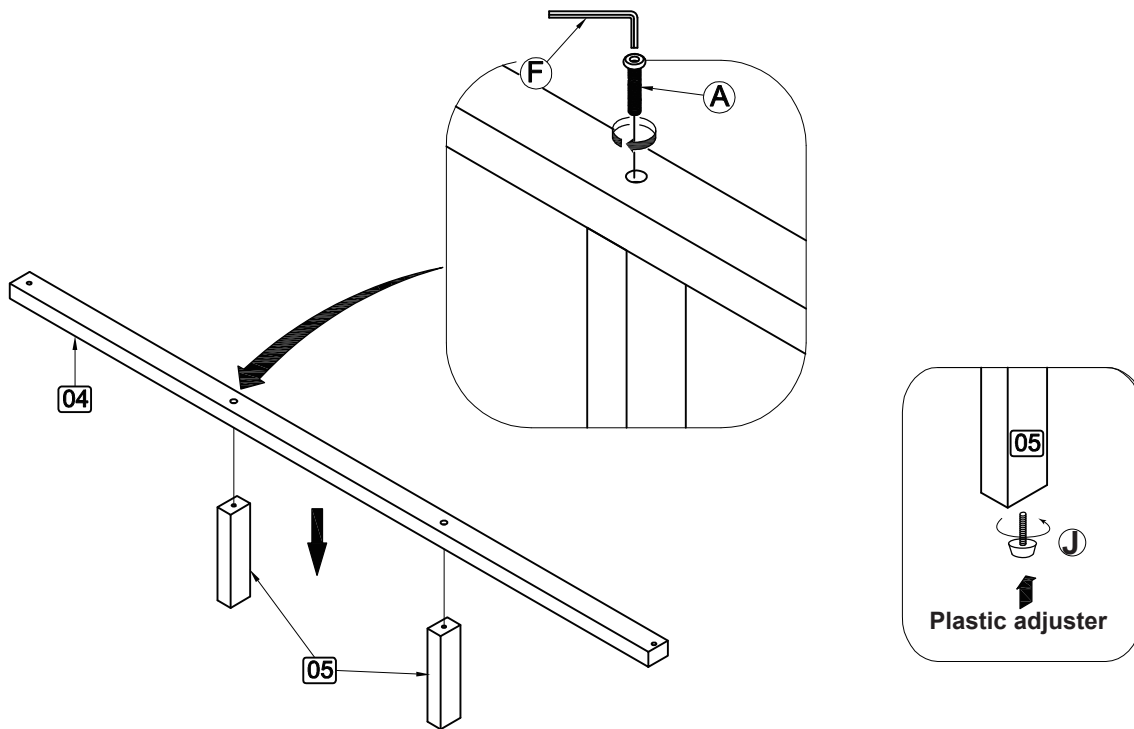
**** You will need a screwdriver for assembly.**

STEP 1

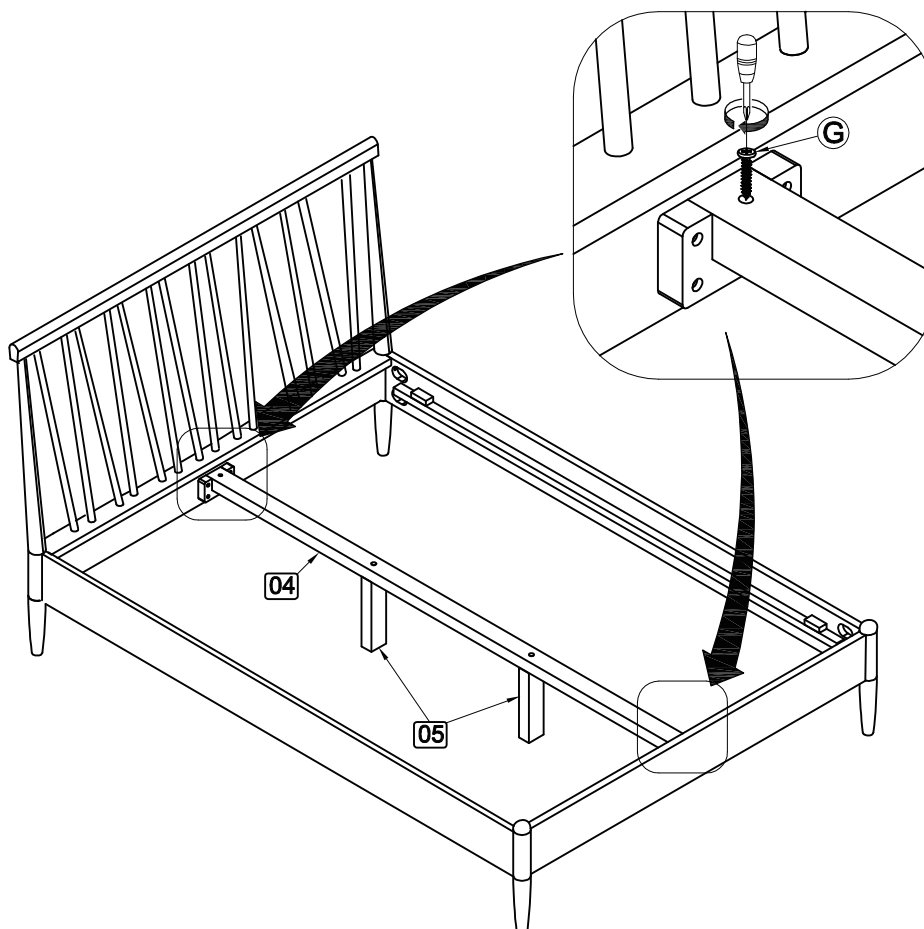
Fix the Siderails (3) to Headboard (1) and Footboard (2) using hardware part B, H,C,D and E. Please note that do not fully tighten the hardware D before assembling the Siderails (3). **DO NOT** use any power tools as this may damage the frame and will invalidate any claim.



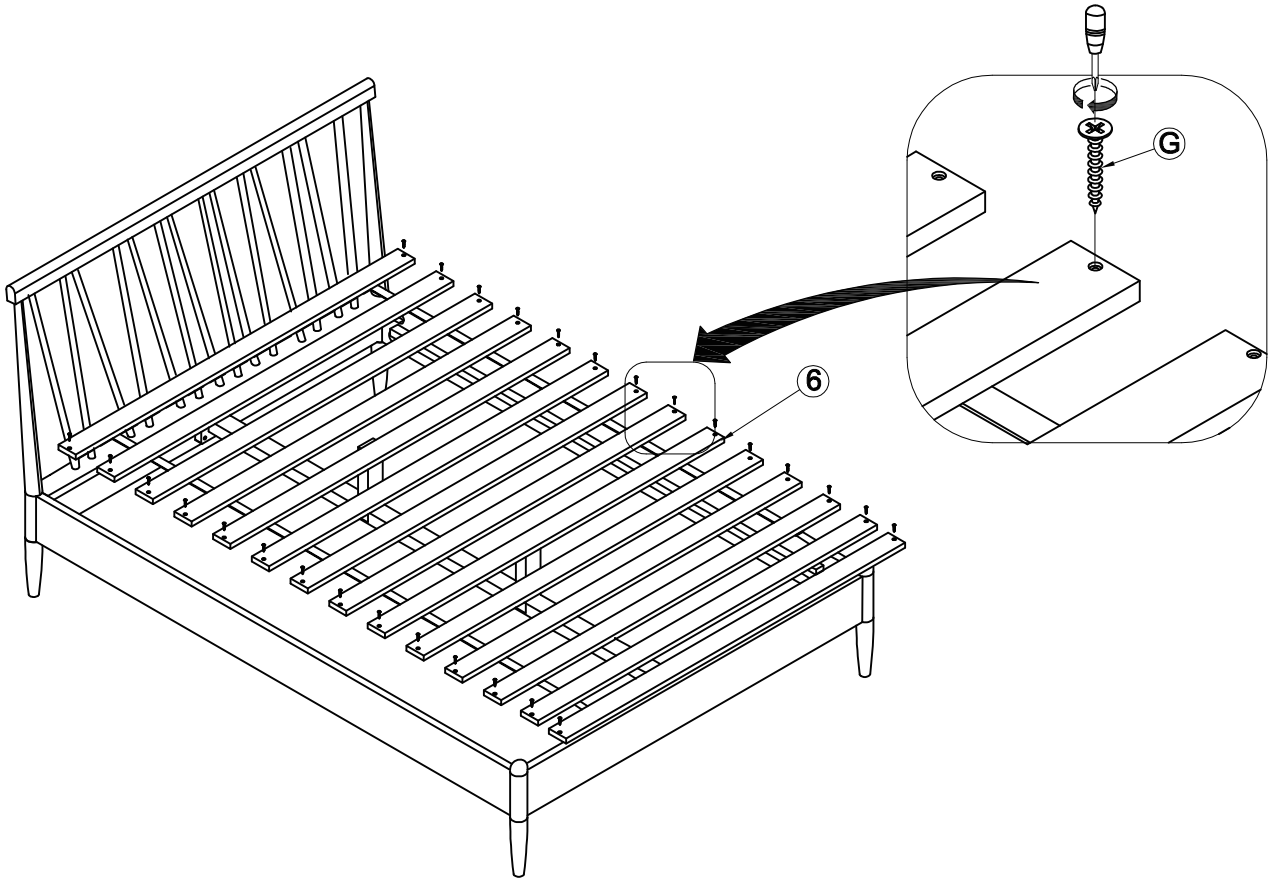
STEP 2 Attach the Support legs (5) to Center slat (4) using hardware (A) and (F). Please note that the Support legs (5) has plastic adjuster at the bottom to uncrew and adjust the height of Center slat (4) if necessary. DO NOT use any power tools as this may damage the frame and will invalidate any claim.



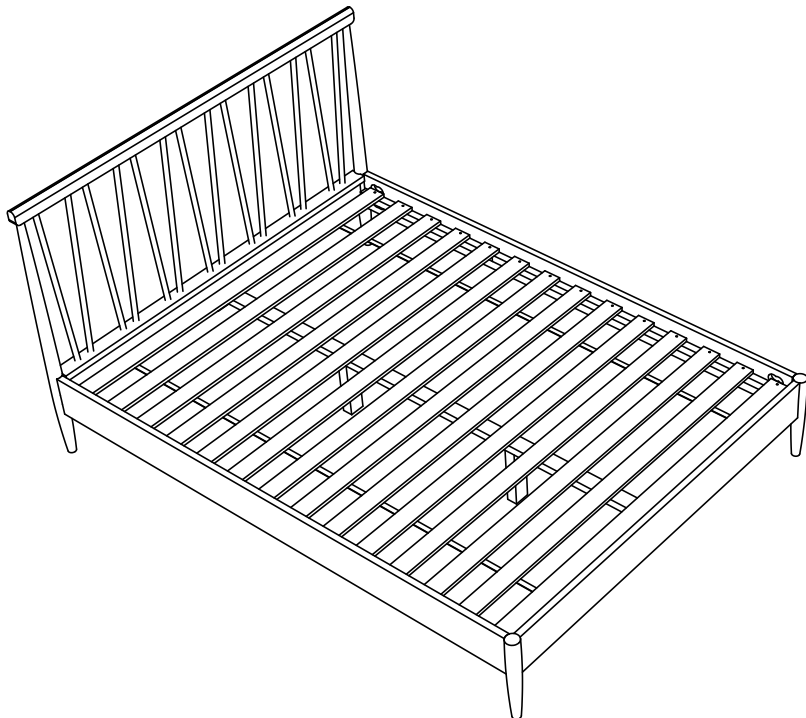
STEP 3 Attach the Center slat (4) to Headboard (1) using hardware (G) with a screwdriver (not provided). DO NOT use any power tools as this may damage the frame and will invalidate any claim.



STEP 4 Attach the Bed slat (6) to Siderails (3) , Headboard (1) and Footboard (2) using hardware (G) with a screwdriver (not provided).
DO NOT use any power tools as this may damage the frame and will invalidate any claim.



FINISH



Please dispose of all packaging safely.

General Care & Maintenance

Wipe clean with a slightly damp cloth.

Avoid the use of all household cleaners and abrasives.

Periodically check all screw & fixings to ensure they are secure.

When moving your product, carefully lift into place. Never drag or push the product across the floor as this will cause damage to the joints. If the product is used on hard flooring, such as wood or laminated floor, you must place some protection under the legs to stop the product from moving. If this is not adhered to, it could result in failure to the product that will invalidate the warranty.

For more information on cleaning and product care visit:

<https://www.happybeds.co.uk/help-and-advice>

Notes

We've tried to make this product as easy to assemble as possible. In the unlikely event that you have problems putting it together or have damaged or missing pieces, please contact us by visiting:

<https://www.happybeds.co.uk/customer-service>



www.happybeds.co.uk

Happy beds™

www.happybeds.co.uk