

Assembly Instructions

Important before assembly:

Read these instructions carefully before assembling or using the product.

Please check the contents of the boxes before attempting to assemble this product. The instructions will have a checklist of parts and fittings.

Assemble the product as close to its intended final location/room as possible.

Health & Safety:

This product or some parts of this product will be heavy. Please use an assistant when lifting.

Please keep small parts out of reach of children.

Always use on a level, even surface.

DO NOT jump on the product or any of its parts.

DO NOT use this product if any parts are missing, damaged or worn.

DO NOT use this product unless all fixings are secured.

Further instructions are on the following pages.

Please keep these instructions for future reference.



This product or some parts of this product will be heavy. Please use an assistant when lifting.



Never drag or push the pieces across a hard or stone floor as this will cause damage to the joints. Use a carpet or a rug for extra care.



If you have problems assembling or have damaged or missing pieces, please contact our customer services (details at the back of these instructions)



Important for High Sleepers, Bunk Beds and Children's Beds

Warning:

High sleepers and the upper tier of bunk beds are not suitable for children under 6 years of age due to risk of injury from falls.

High Sleepers and Bunk Beds present a risk of injury from strangulation if used incorrectly. Never attach or hang anything on any part of the bed that is not designed to be used with the bed, for example, but not limited to ropes, strings, cords, hooks, belts and bags.

Children can become trapped between the bed and the wall, a roof pitch, the ceiling and other pieces of furniture (e.g. wardrobes). To avoid risk of serious injury, the distance between the top safety barrier and any adjoining structure shall not exceed 75mm or shall be more than 230mm.

Maximum thickness of a mattress on the top tier is 18cm. Please refer to the label or marking on the headboard.

This bed has been tested by an independent laboratory and is in compliance with BS EN 747-1 : 2012+A1:2015 - Standard Consumer Safety specification for bunk beds & high sleepers.

Please check all hardware matches the list below. Should you notice any are missing please contact your retailer.



10x11mm

16x



8x30mm

24x



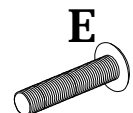
6x25mm

12x



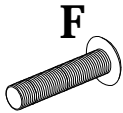
6x30mm

16x



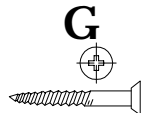
6x50mm

16x



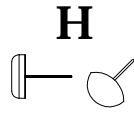
6x60mm

4x



3.5x29mm

16x



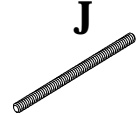
20X15mm

4x



6x15mm

4x



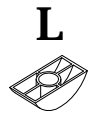
6x100mm

4x



6x12X3mm

8x



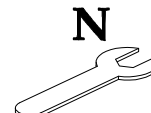
30x15x9mm

8x



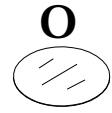
6x13x1mm

8x



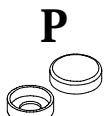
Spanner

2x



Sticker 50mm

8x



White

32x



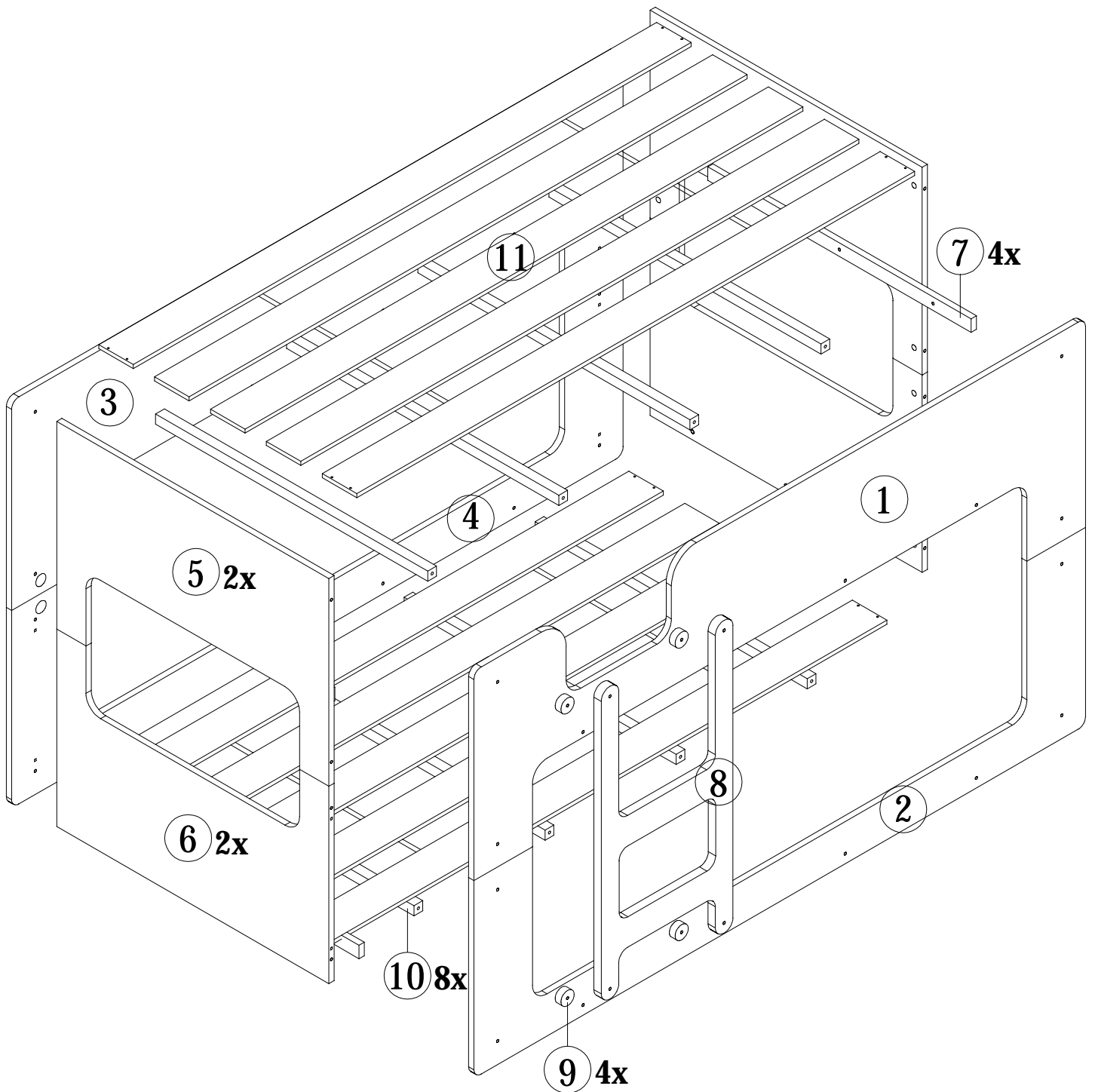
Black

4x

We strongly advise that you do not use Power Tools, such as drills or electric screwdrivers during the assembly as this may cause irreparable damage and will invalidate your warranty.



PARTS



Please ensure you carefully check all the pieces, should you have any concerns please contact the retailer before assembly commences. Please have your order number, details of the issue, the product code, and the batch number from the cartons as this will help us to resolve your issue much faster.

Safety Advice

WARNING: This bunk is intended for use by children only, with a maximum recommended weight of 75 Kg. Julian Bowen Ltd. cannot be held responsible for failure or damage to the bunk or personal injuries should this warning be ignored

Please take the time to carefully read through the whole of these instructions before you commence. Keep these instructions for future reference.

Unpack, inspect and check off all of the contents.

Please dispose of all packaging safely.

Small component parts could choke a child if swallowed.

We strongly recommend that you keep children well away from the work area.

It would be sensible to lay a sheet or blanket on the floor where you intend to work to avoid scratching this product and to protect your floor.

This product is heavy. Take extreme care when lifting to avoid personal injury or damage to the product.

Assemble the product as close to its intended final position in the room as possible.

Please check the contents of the boxes before attempting to assemble this product.

A full checklist of parts and fittings is given in pages 3 and 4 of this instruction leaflet.

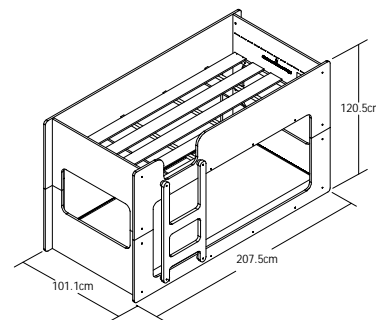
HANDY HINT: If you keep the hardware in a bowl during assembly you will be less likely to lose

Important Information

Tighten firmly all the fittings when the assembly is complete.

The bed base is an integral and in dissociable part of the bed.

WARNING: High beds and the upper bed of bunk beds are not suitable for children under six years due to the risk of injury through falls.



WARNING: It is not safe to use this product if any part of the structure is missing or broken.

Always check fixings of the items and re-tighten all the screws periodically.

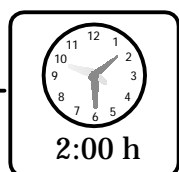
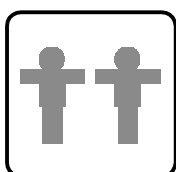
WARNING: Bunk beds and High beds can present a serious risk of injury from strangulation if not used correctly. Never attach or hang items to any part of the bunk bed that are not designed to be used with the bed, for example, but not limited to ropes, strings, cords, hooks, belts and bags.

WARNING: Children can become trapped between the bed and the wall, a roof pitch, the ceiling, adjoining pieces of furniture (e.g cupboards) and the like. To avoid risk of serious injury the distance between the top safety barrier and the adjoining structure shall not exceed 75 mm or shall be more than 230 mm. It is recommended that you always follow the manufacturer's instructions to assemble this product.

Always follow the manufacturer's recommended mattress size, as per these Instructions and the bunk bed / high bed maximum mattress height marking on the item: "91cm W x 190cm L with a Maximum Depth of 21.0cm."

It is necessary to frequently ventilate the room in order to keep the humidity low and to prevent mould in and around the bed.

This item conforms to European Safety Standards - BS EN 747-1: 2012 + A1:2015



ASSEMBLY ADVICE

Please take the time to carefully read through these instructions before you commence.

Keep these instructions for future reference.

We advise that the product is assembled in the room it is intended for.

We advise that you keep the hardware in a bowl during assembly to avoid losing anything.

We strongly recommend that you keep children away from the work area.

Small component parts could choke a child if swallowed.

We recommend you use a sheet or blanket to protect both floor and product through the assembly stages.

This product is heavy, and we recommend a 2 person lift to avoid personal injury or damage to the product.

Never push or pull the product as this could cause both personal injury or irreparable damage to product or floor.

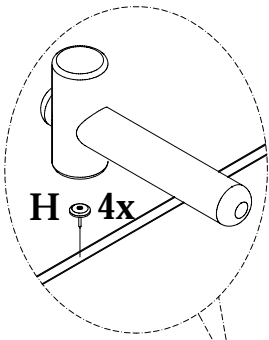
We have tried to make this piece of furniture easy to assemble if the instructions are followed carefully.

In the unlikely event that you have problems with assembling the product or have missing or damaged parts, please contact your retailer and we will assist them in rectifying the problem as quickly as possible.

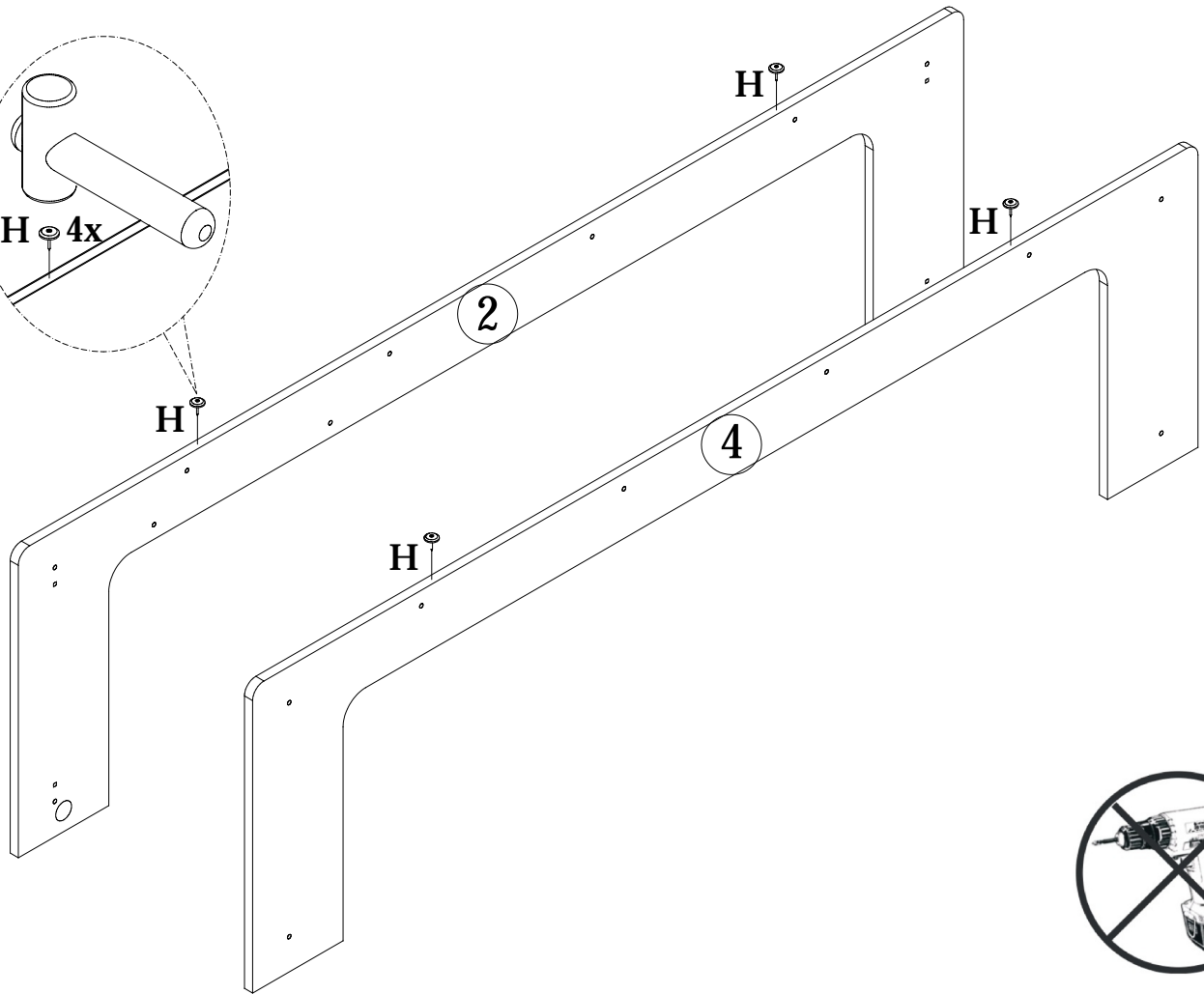
Please remember we strongly urge you DO NOT use power tools such as drill or electric screwdrivers as this could cause irreparable damage to your product and will invalidate your warranty.



1



H 4x



2



ANIMAL BUNK BED

Product Code - SAF001

Distributed by: Julian Bowen Limited
Bentnick House,
Park Lane Business Park,
Kirkby-in-Ashfield,
Notts. NG17 9LE

Factory ID: Manufactured in China

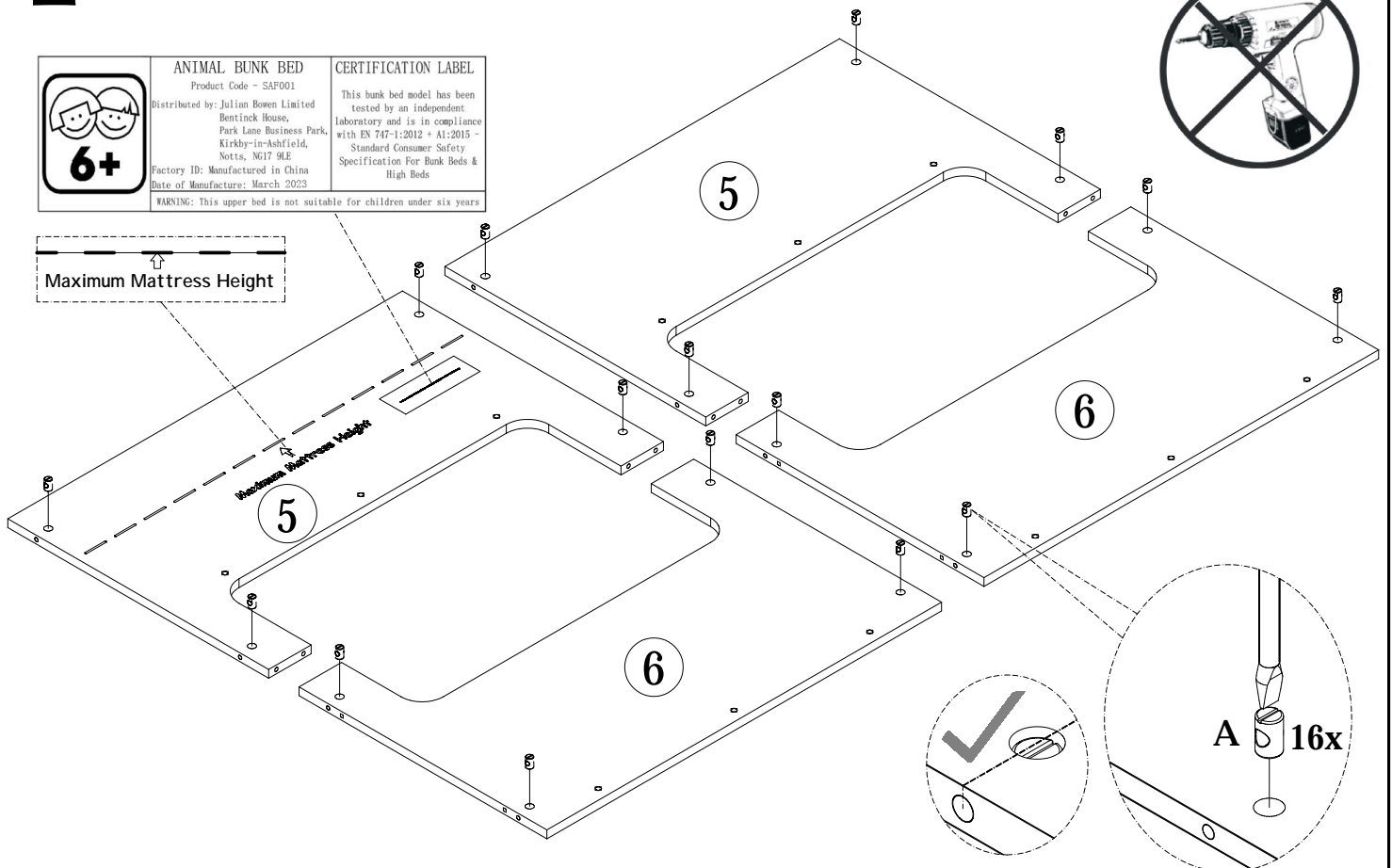
Date of Manufacture: March 2023

WARNING: This upper bed is not suitable for children under six years

CERTIFICATION LABEL

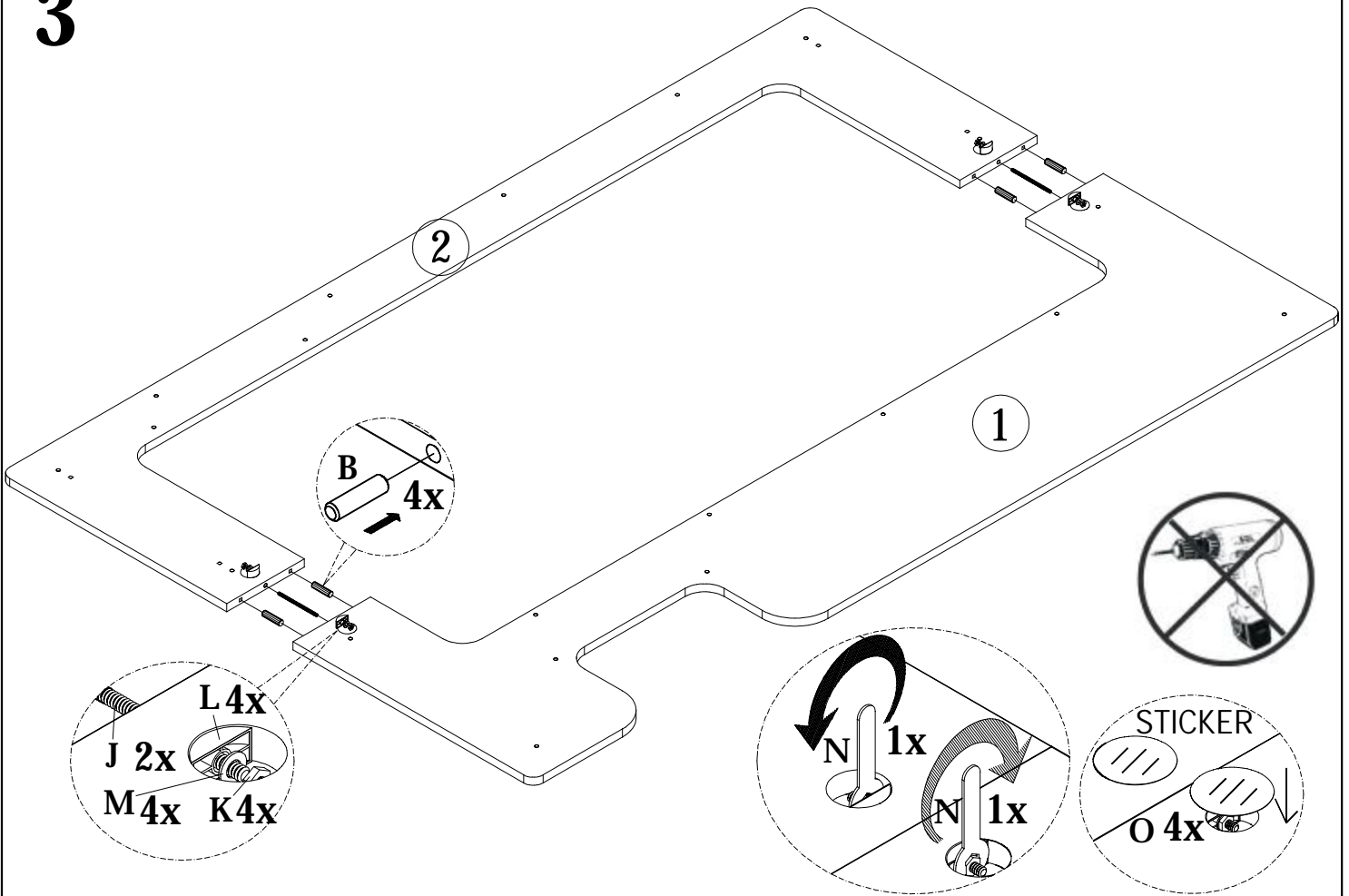
This bunk bed model has been tested by an independent laboratory and is in compliance with EN 747-1:2012 + A1:2015 - Standard Consumer Safety Specification For Bunk Beds & High Beds

Maximum Mattress Height

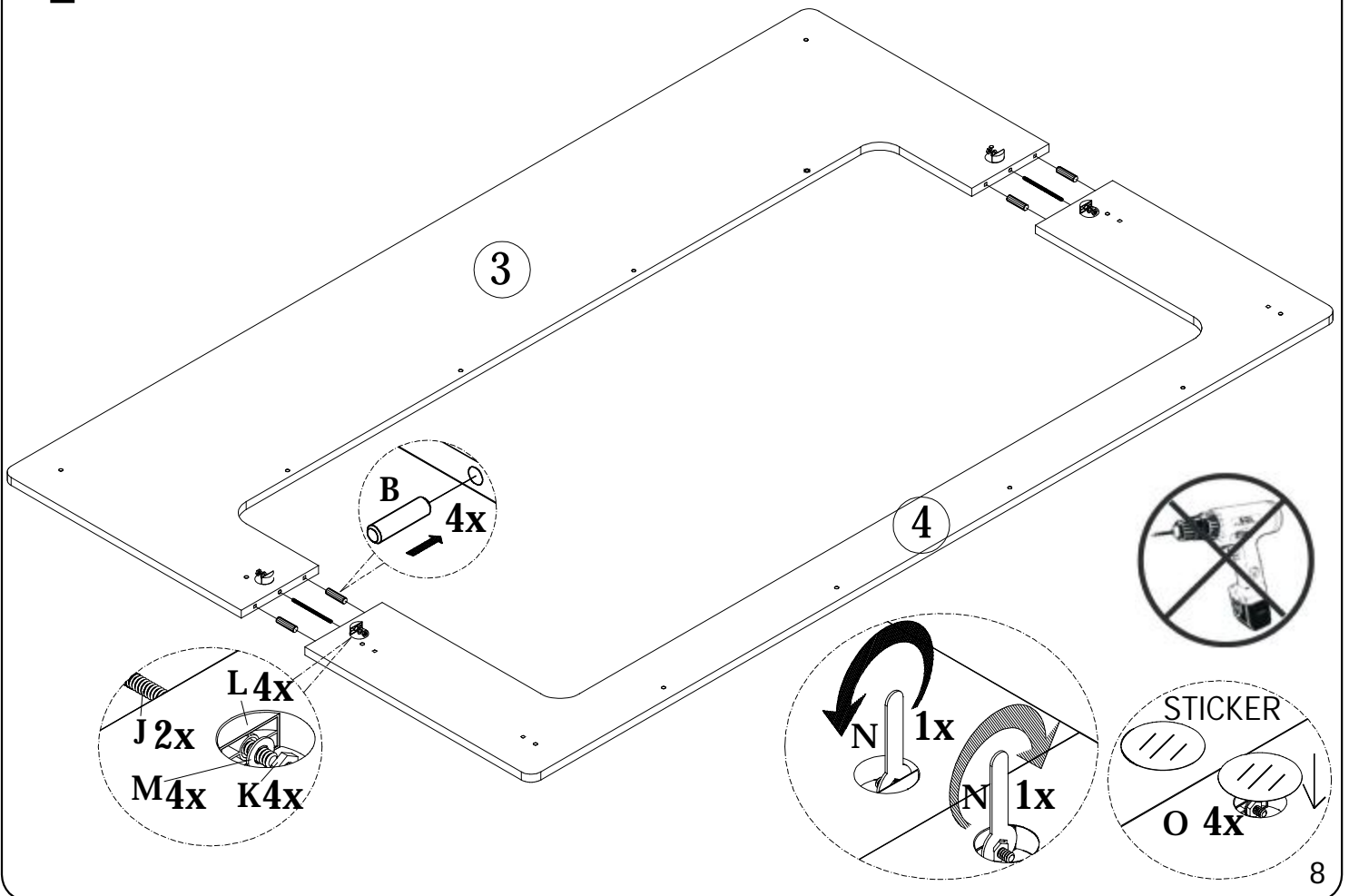


A 16x

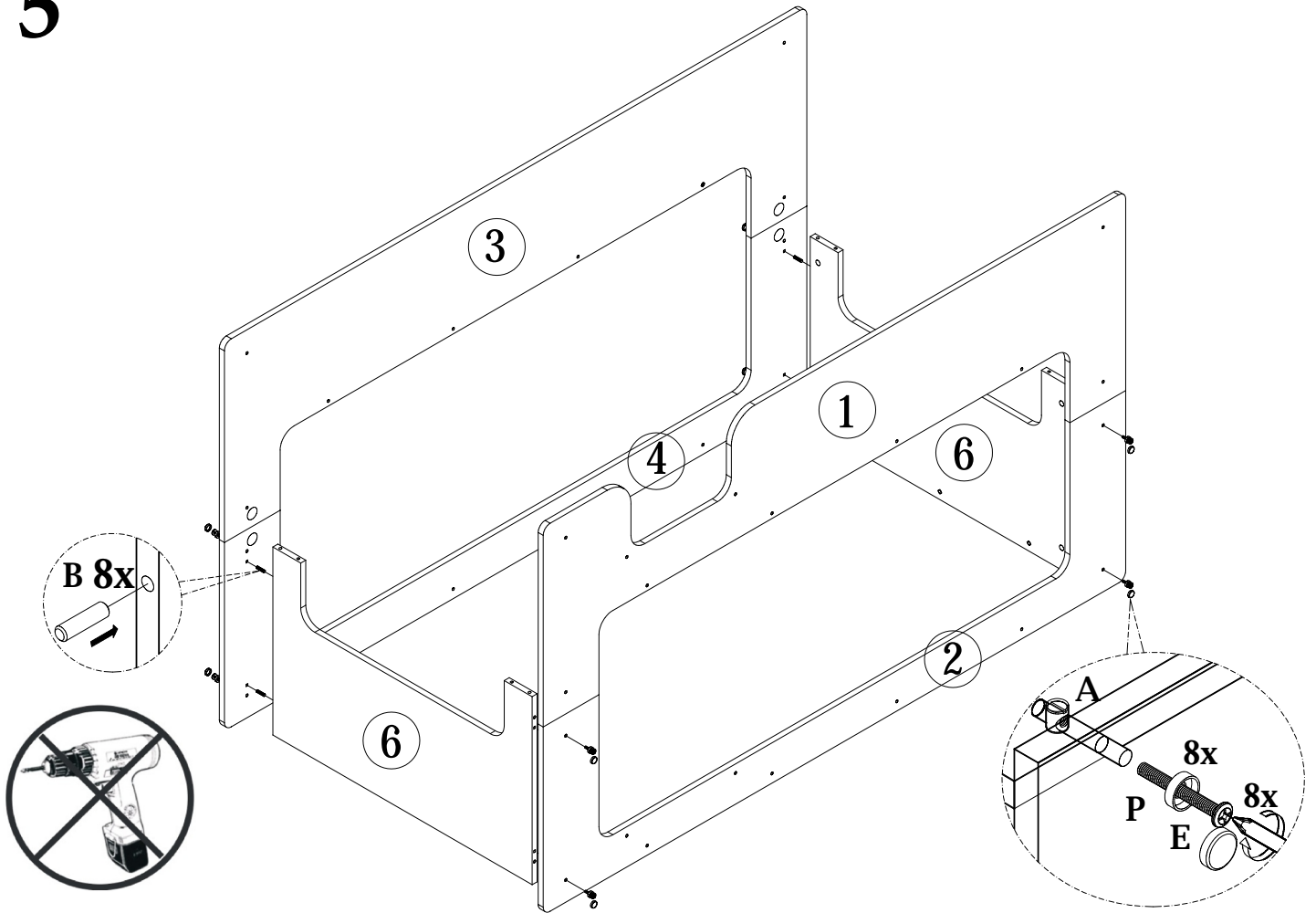
3



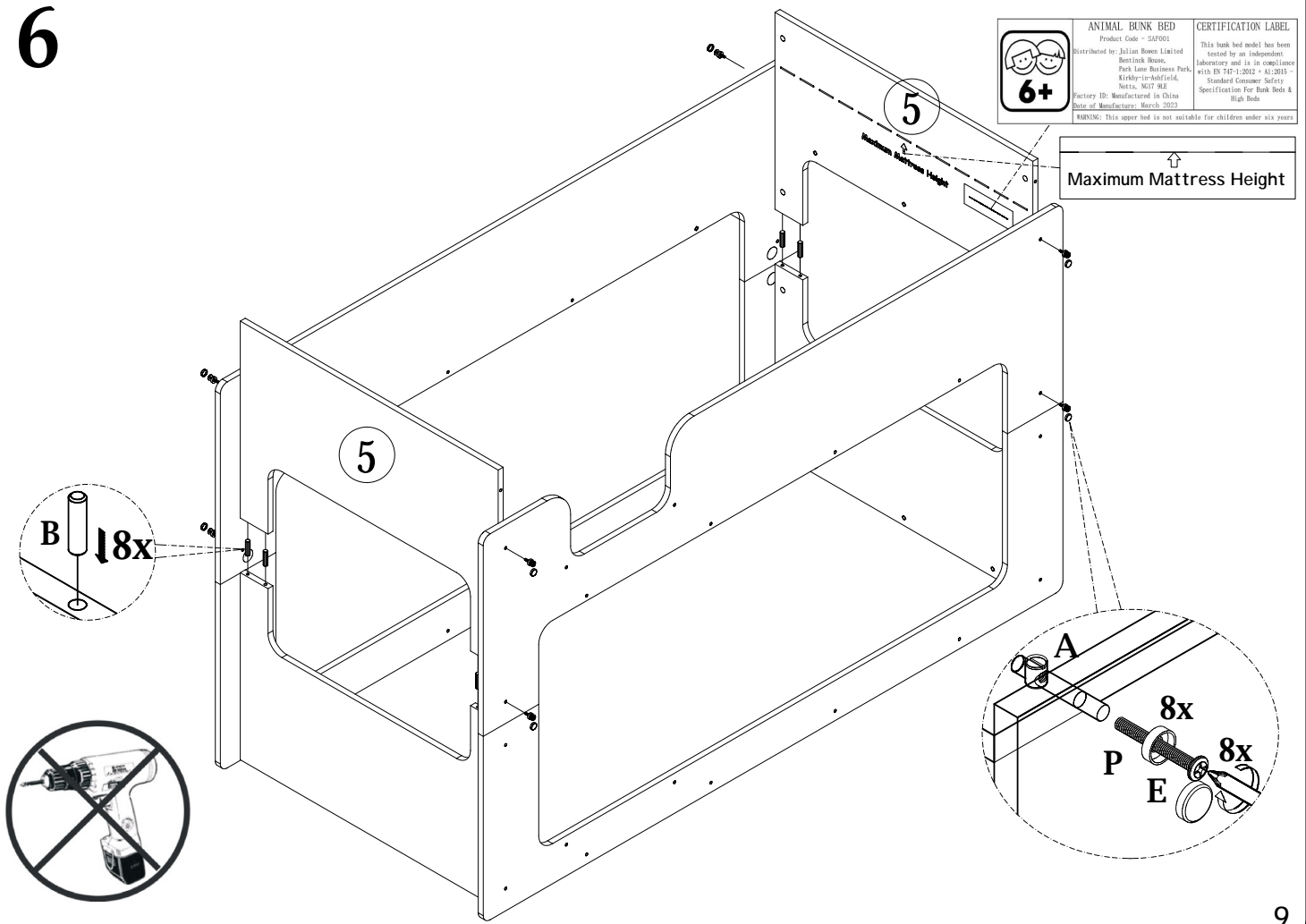
4



5

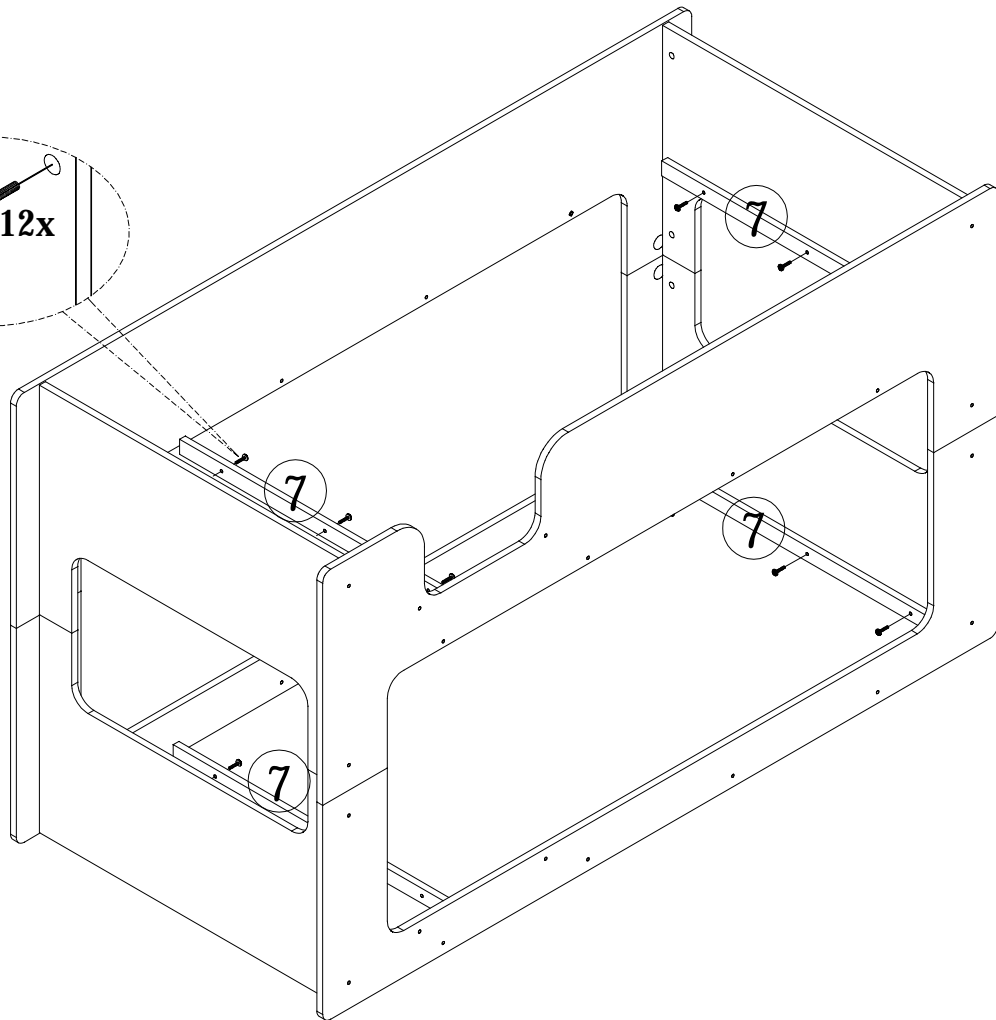
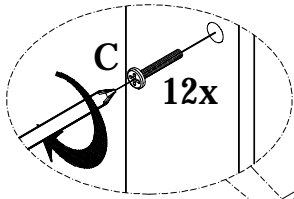


6

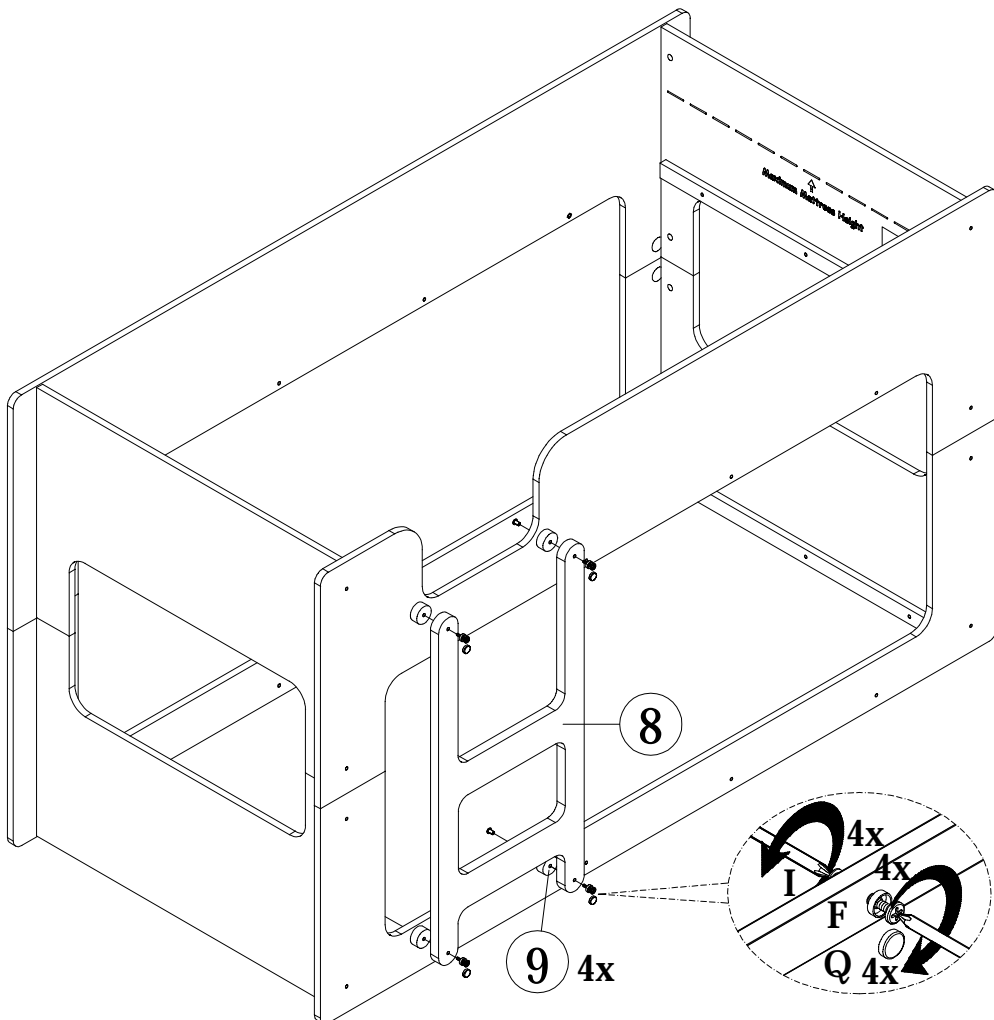


	ANIMAL BUNK BED	CERTIFICATION LABEL
	Product Code - SAF001	This bunk bed model has been tested by an independent laboratory and is in compliance with EN 747-1:2012 + A1:2015 - Standard Consumer Safety Specifications For Bunk Beds & High Beds.
	Distributed by: Julian Bowen Limited Bentley House, Park Lane Business Park, Ardalyr Industrial Estate, Newry, BT27 5BE.	Factory ID: Manufactured in China Date of Manufacture: March 2023
	<p><small>WARNING: This upper bed is not suitable for children under six years.</small></p>	

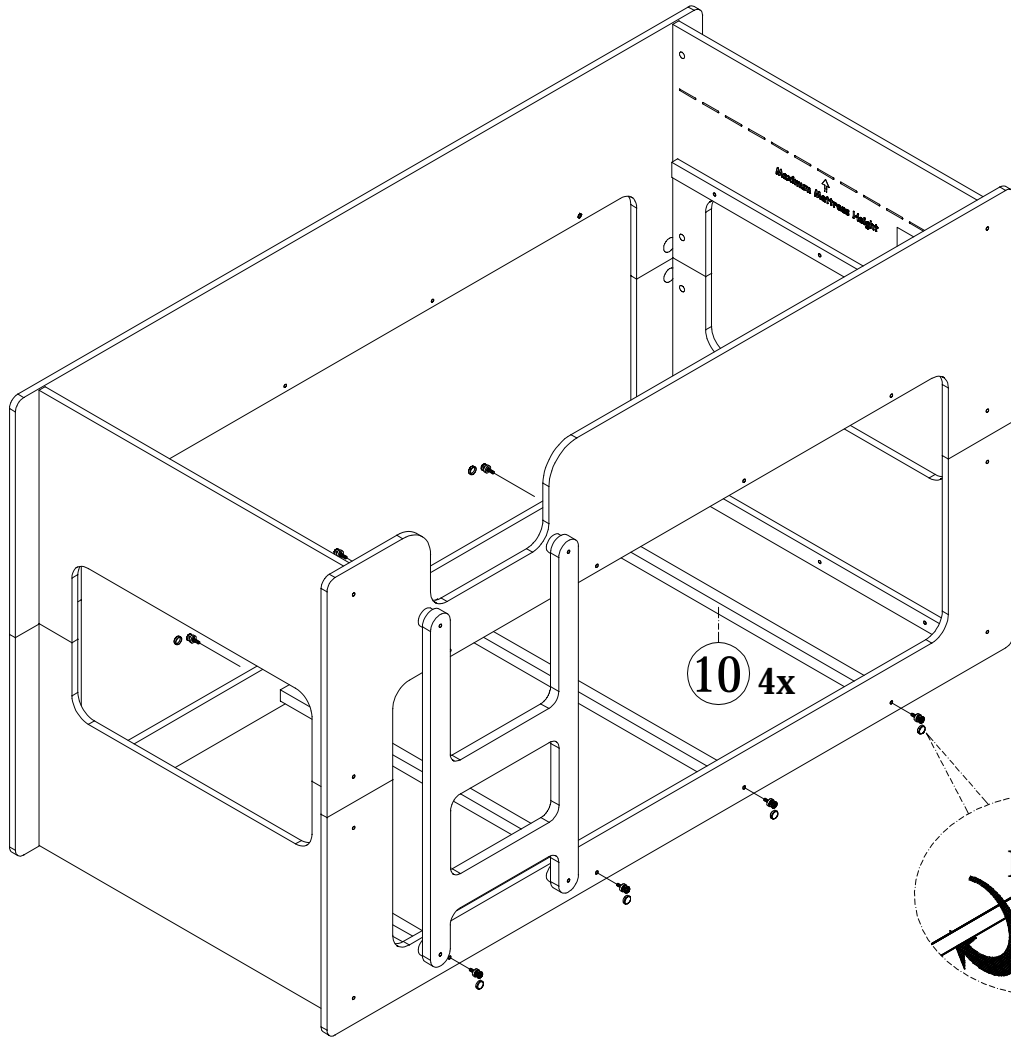
7



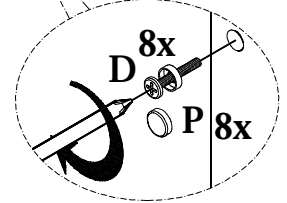
8



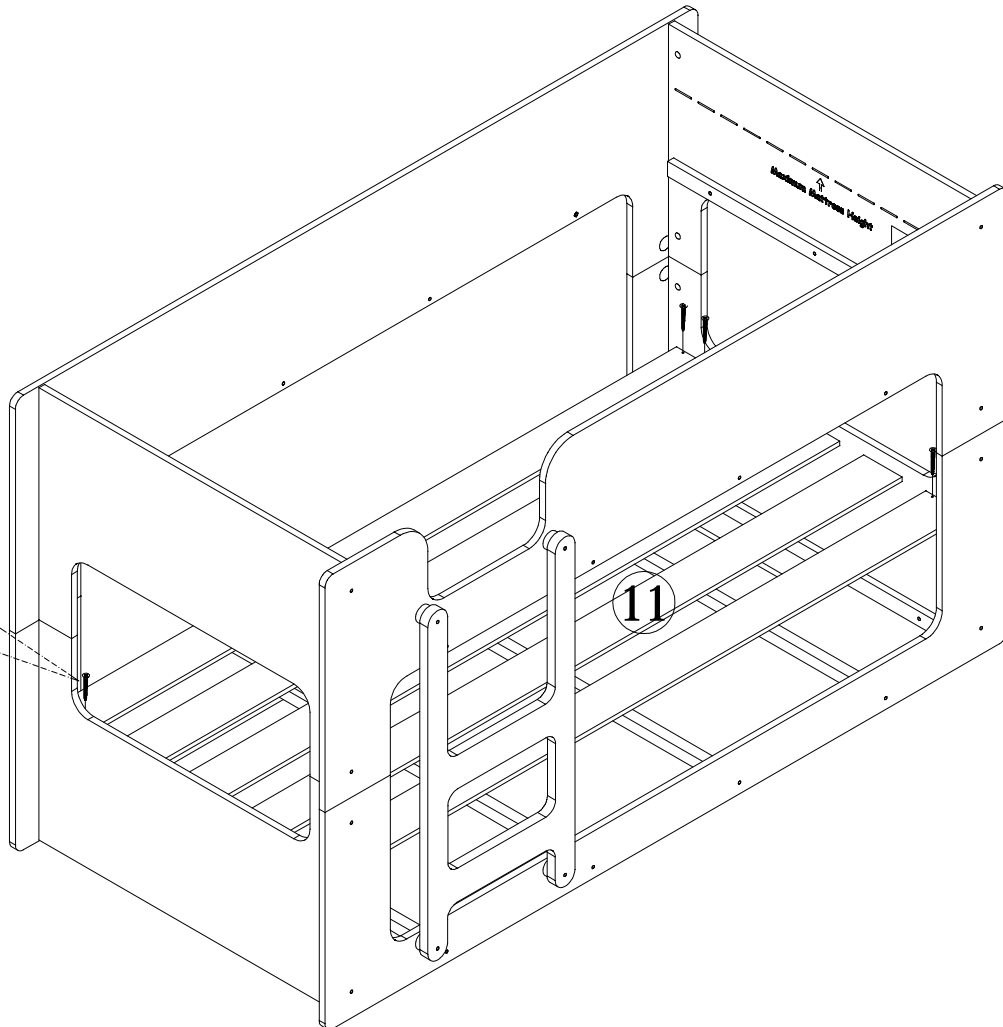
9



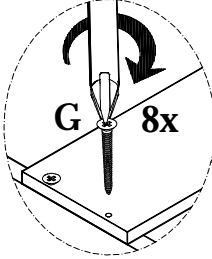
10 4x



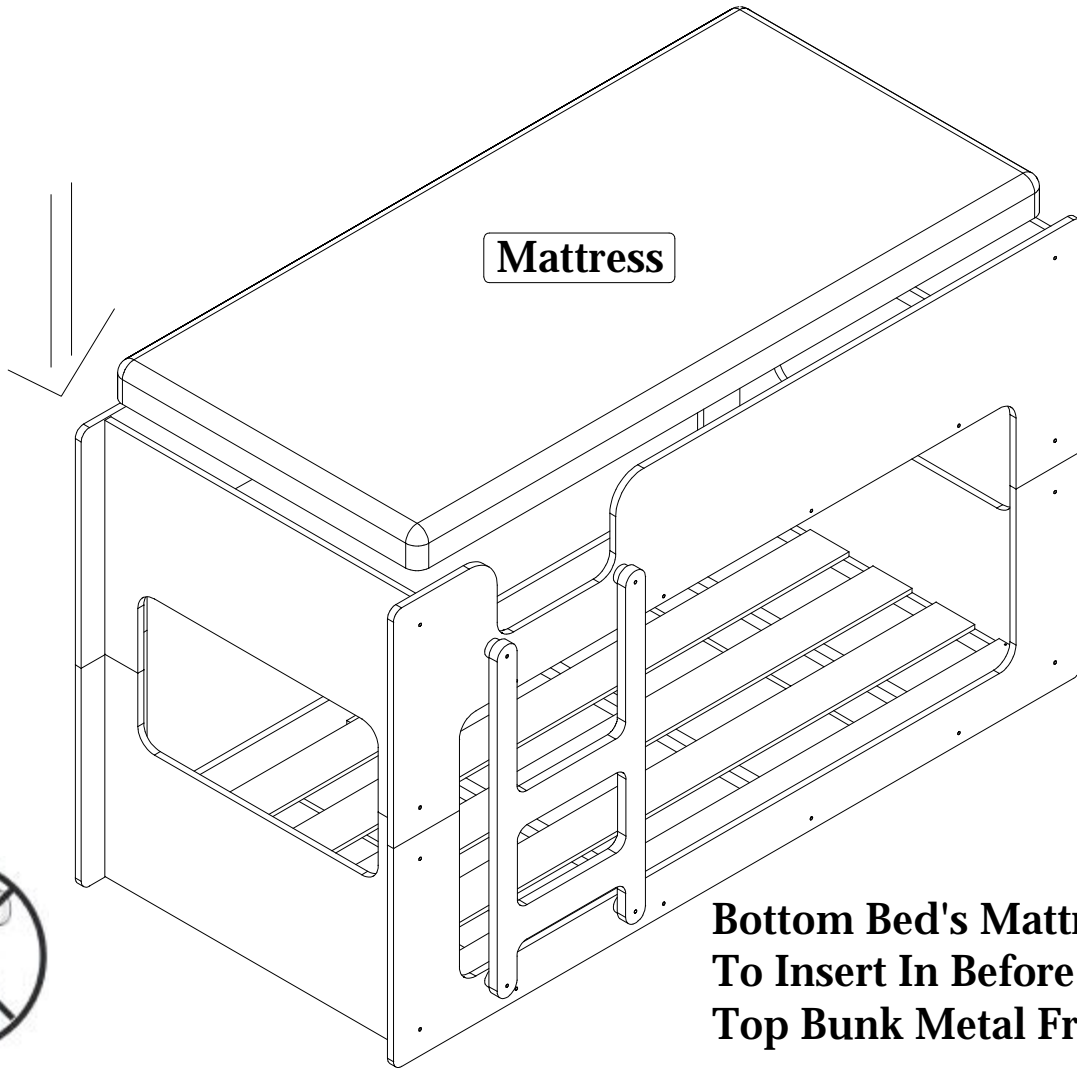
10



11

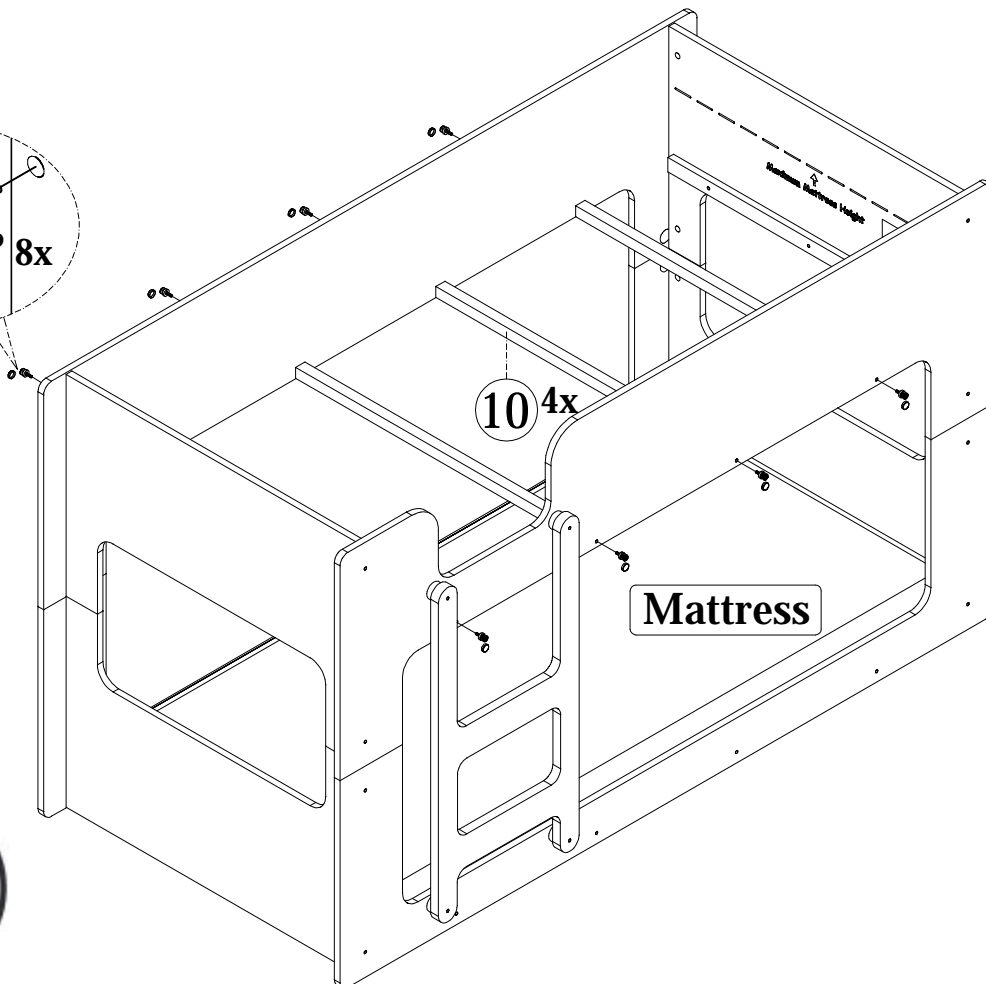
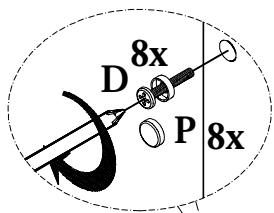


11

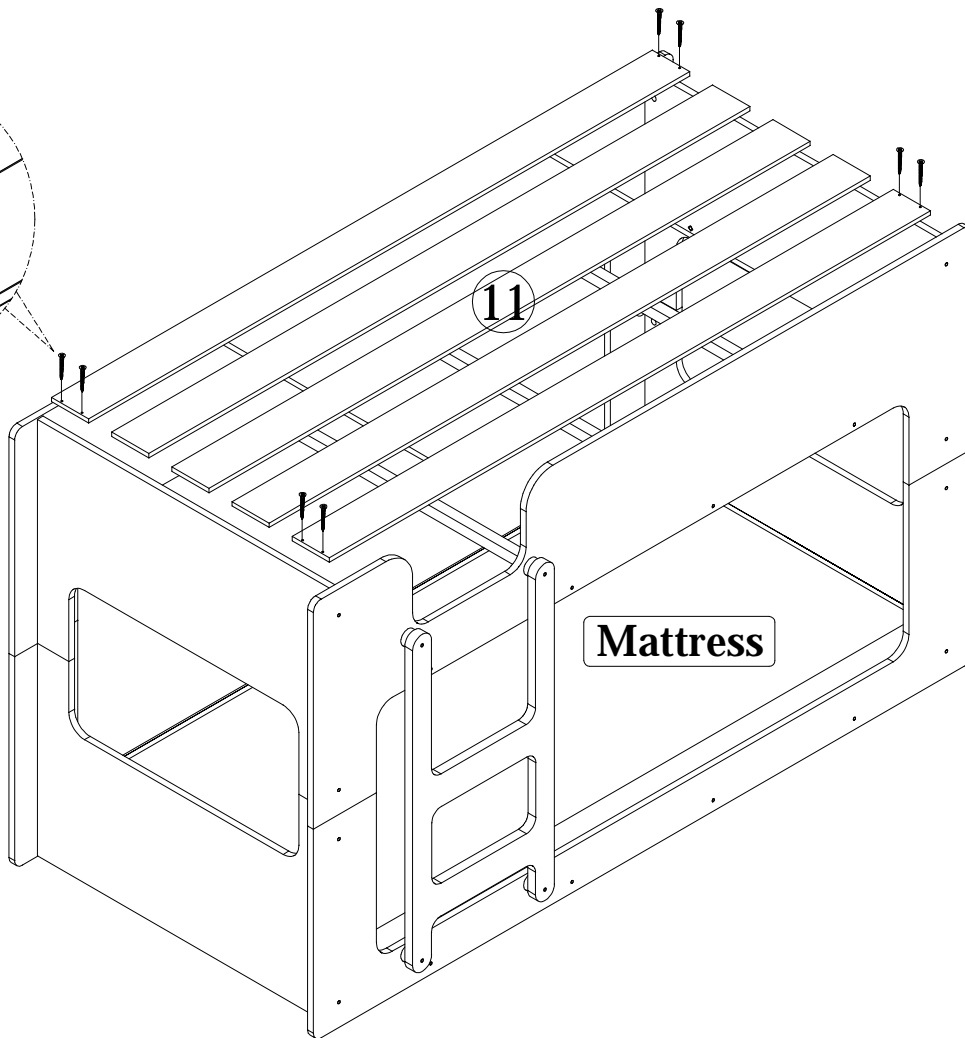
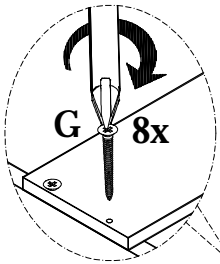


Bottom Bed's Mattress Needs To Insert In Before Installing Top Bunk Metal Frame.

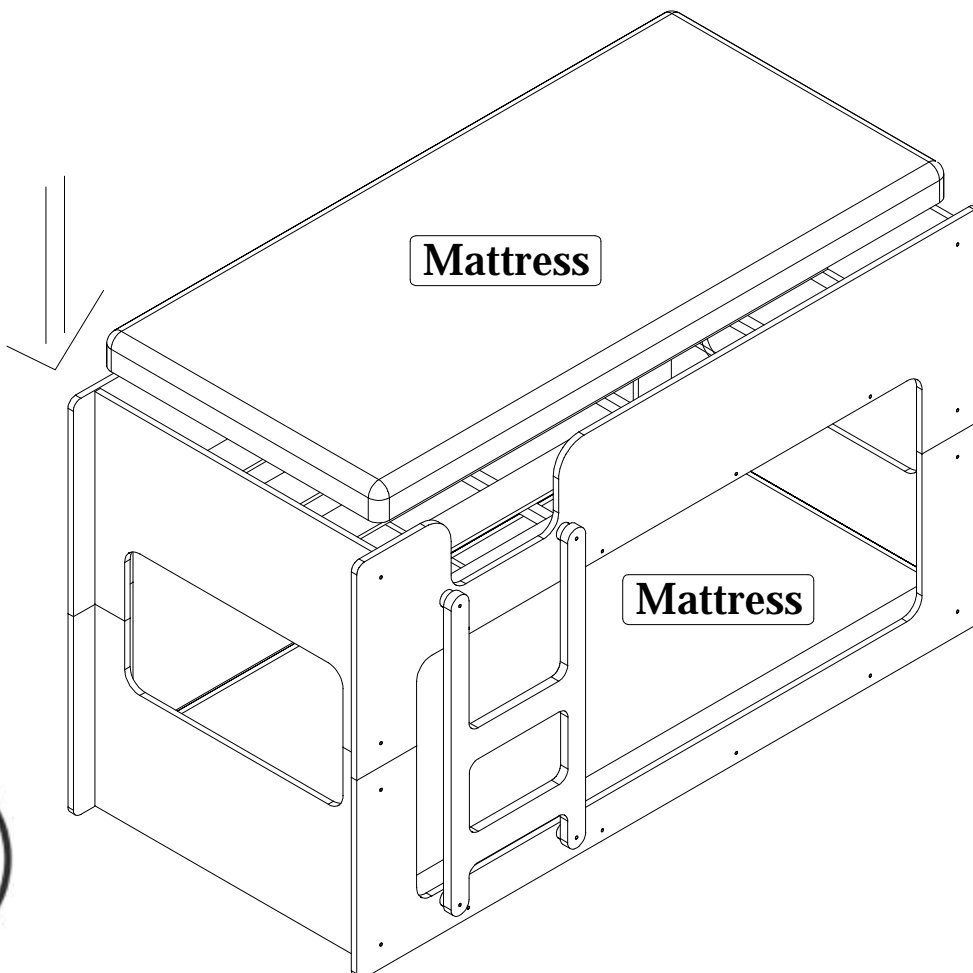
12



13



14



Your Safari Bunk Bed Is Now Fully Assembled And Ready For Use.

Please dispose of all packaging safely.

General Care & Maintenance

Wipe clean with a slightly damp cloth.
Avoid the use of all household cleaners and abrasives.

Periodically check all screw & fixings to ensure they are secure.

When moving your product, carefully lift into place. Never drag or push the product across the floor as this will cause damage to the joints. If the product is used on hard flooring, such as wood or laminated floor, you must place some protection under the legs to stop the product from moving. If this is not adhered to, it could result in failure to the product that will invalidate the warranty.

For more information on cleaning and product care visit:
<https://www.happybeds.co.uk/help-and-advice>

Notes

In the unlikely event that you have problems putting this product together or have damaged or missing parts, please contact us by visiting:
<https://www.happybeds.co.uk/customer-service>