



Assembly Instructions

Secret Vanity Wooden Dressing Table



Important before assembly:

Read these instructions carefully before assembling or using the product.

Please check the contents of the boxes before attempting to assemble this product. The instructions will have a checklist of parts and fittings.

It would be sensible to lay a rug or a carpet on the floor where you intend to assemble the product, to avoid scratches and damaging the product or the floor.

Assemble the product as close to its intended final location/room as possible.

Do NOT use any power tools as this may damage the frame.

Health & Safety:

This product or some parts of this product will be heavy. Please use an assistant when lifting.

Please keep small parts out of reach of children.

Always use on a level, even surface.

DO NOT jump on the product or any of its parts.

DO NOT use this product if any parts are missing, damaged or worn.

DO NOT use this product unless all fixings are secured.

Please keep these instructions for future reference.



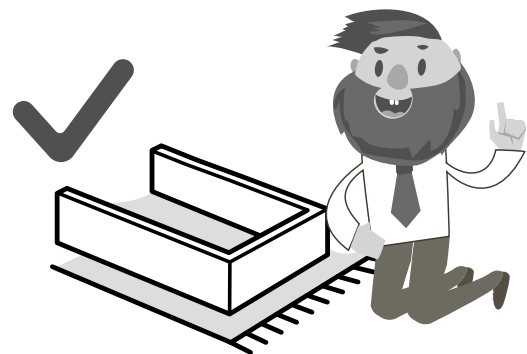
(Not metal)

These tools are not necessary, but may help to assemble certain parts of the product.

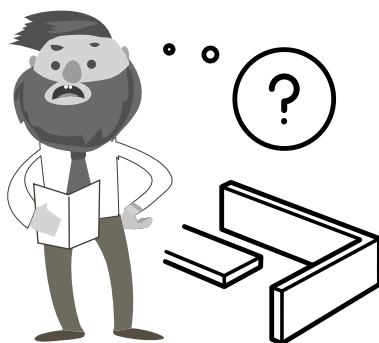
Do NOT use any power tools as this may damage the frame.



This product or some parts of this product will be heavy. Please use an assistant when lifting.



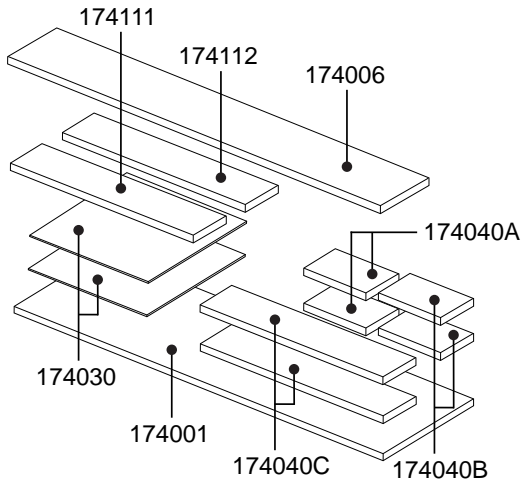
Never drag or push the pieces across a hard or stone floor as this will cause damage to the joints. Use a carpet or a rug for extra care.



If you have problems assembling or have damaged or missing pieces, please contact us by visiting:

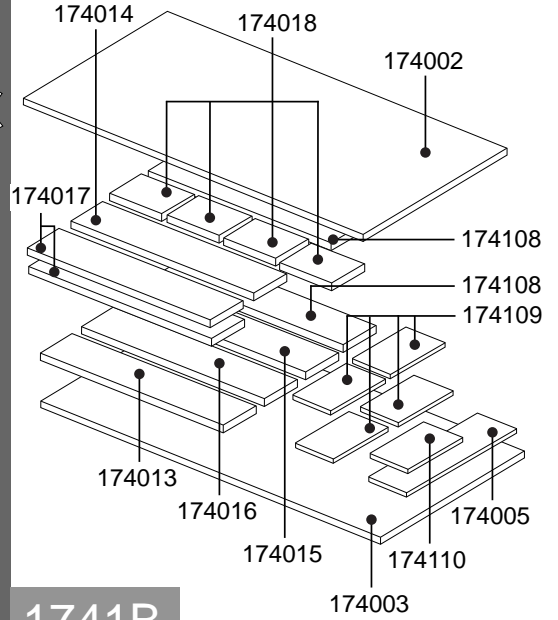
<https://www.happybeds.co.uk/customer-service>

1/3



1741A

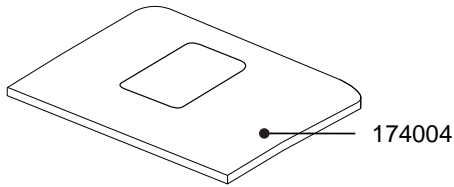
2/3



T1 T2
T3 X

1741B

3/3



1740C

HERRAJES

FERRURES

MÖBELBESCHLÄGE

ACCESSORI
PER MOBILI

FERRAGENS

OKUCIA
MEBLOWE

FURNITURE
FITTINGS

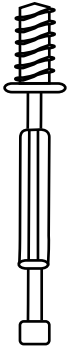
T1

x10

x10

x22

x12



PE845



EX16



CL830



TV3135

T2

x16

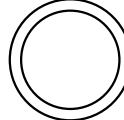
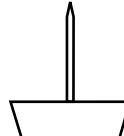
x4

x8

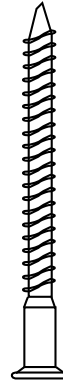
x28



TP3515



TSM



TA550



CL530

T3

x20

x6

x2

x1



TP2512



TP4035



PCB15



LLA3

X

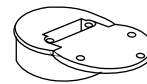
x1

x4

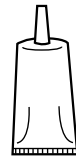
x1



PALAD



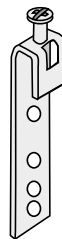
BSPG



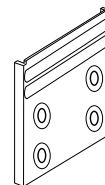
COLA

x2

x2





ECC2931

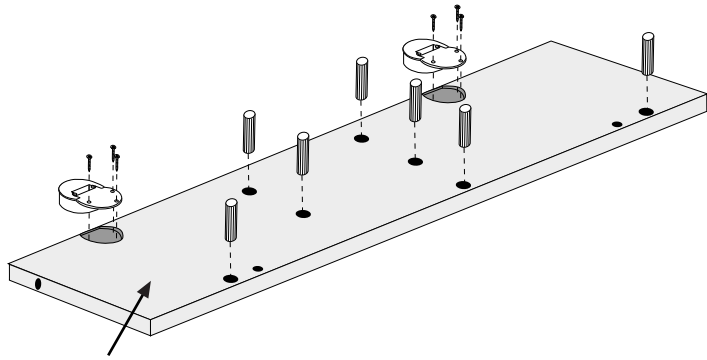


ECP2931

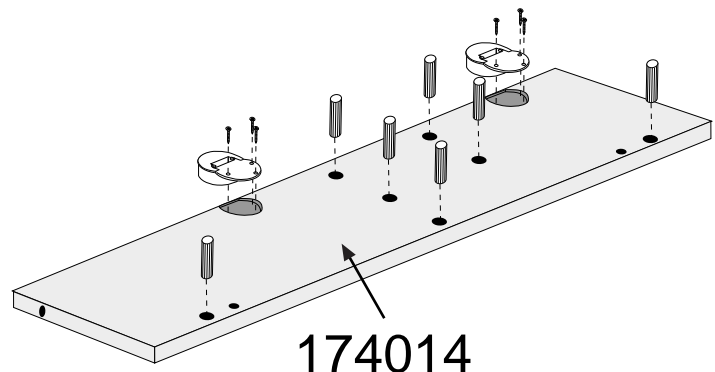
1

cm 0 1 2 3

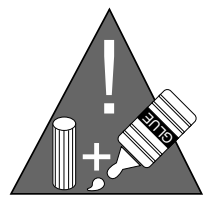
CL530   x14




174013



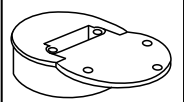
174014



cm 0 1 2

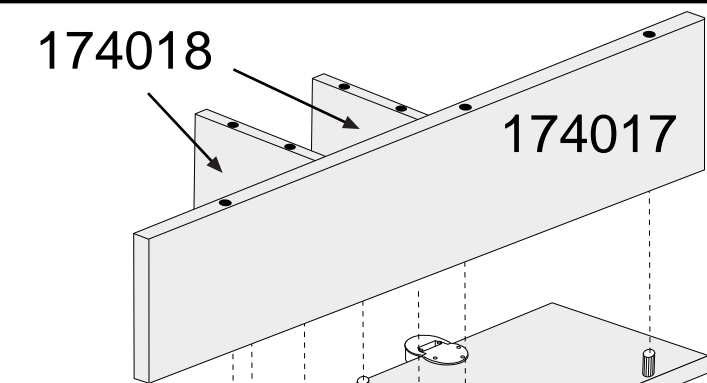
TP2512  x12

x4



BSPG

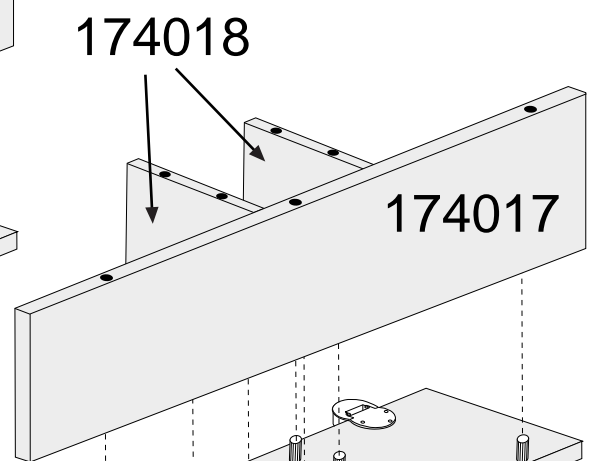
2



174018

174017

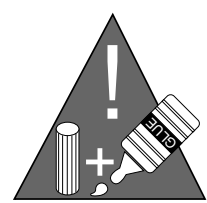
174013



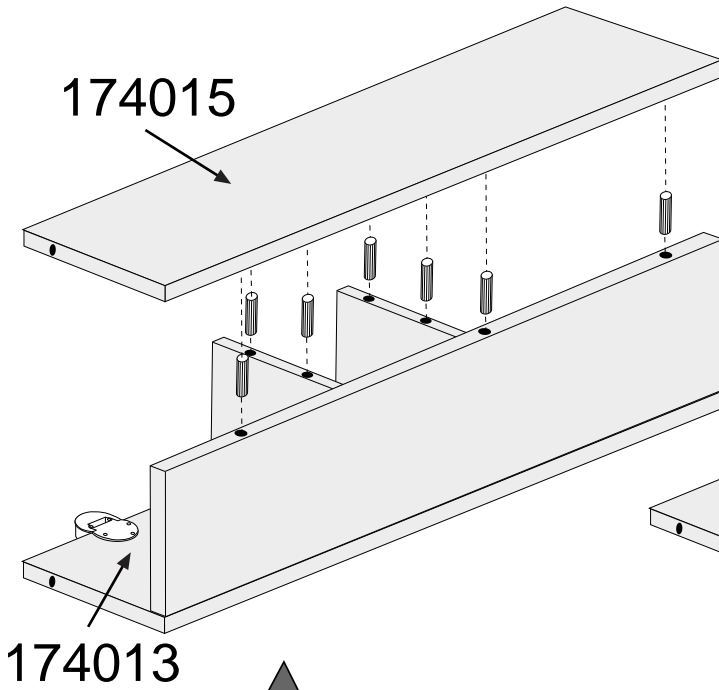
174018



174017

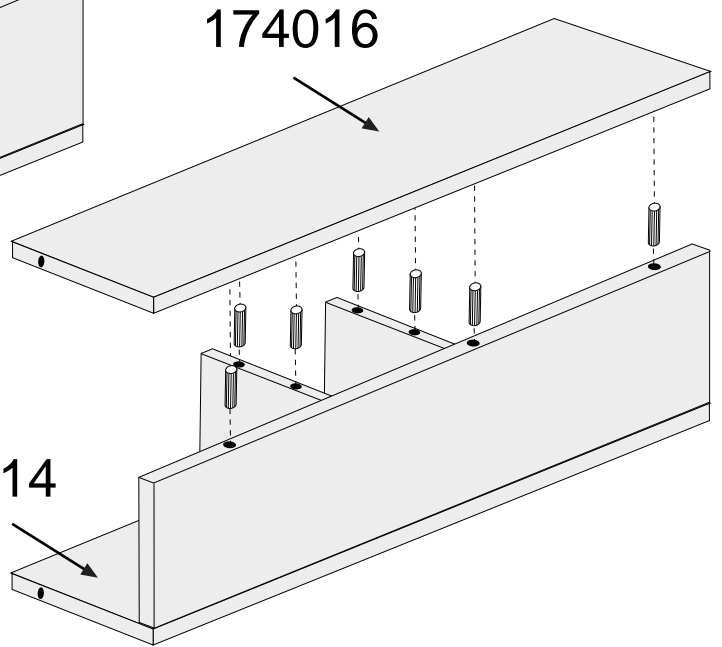
174014



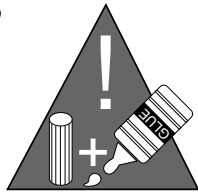
3



cm 0 1 2 3
 CL530   x14


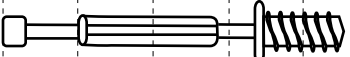


174014



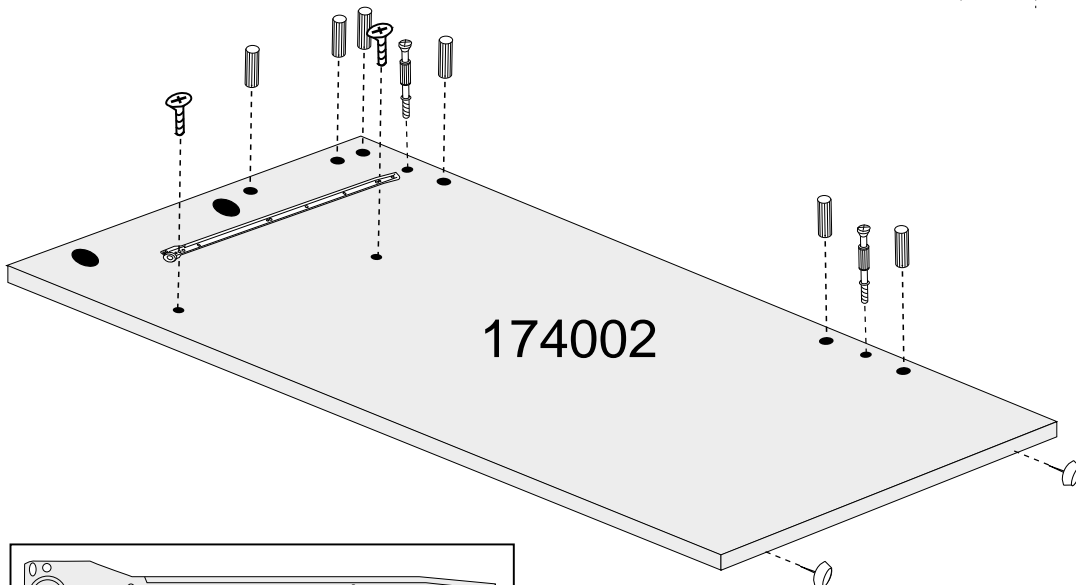
4

cm 0 1 2 3 4 5

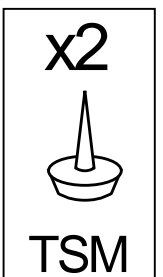
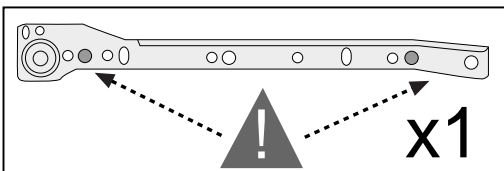
PE845   x2

CL830   x6

TV3135   x2


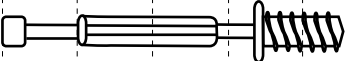



174002



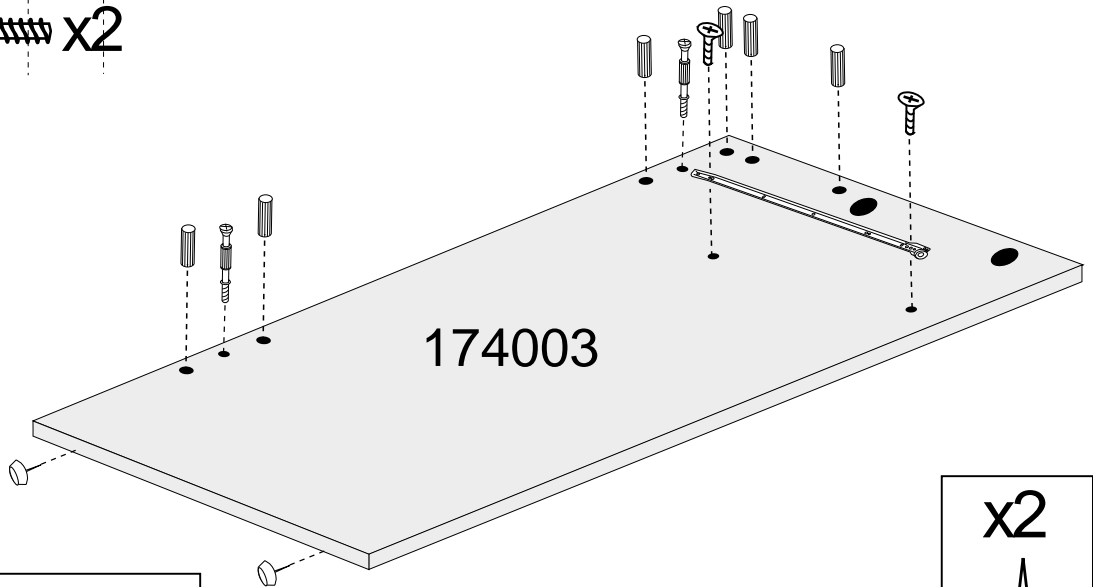
5

cm 0 1 2 3 4 5

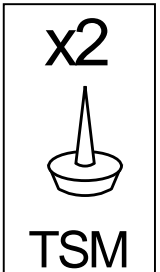
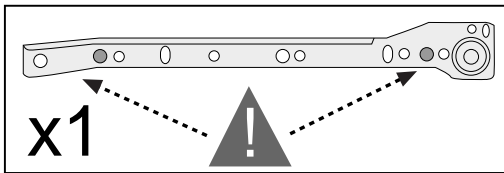
PE845   x2

CL830   x6

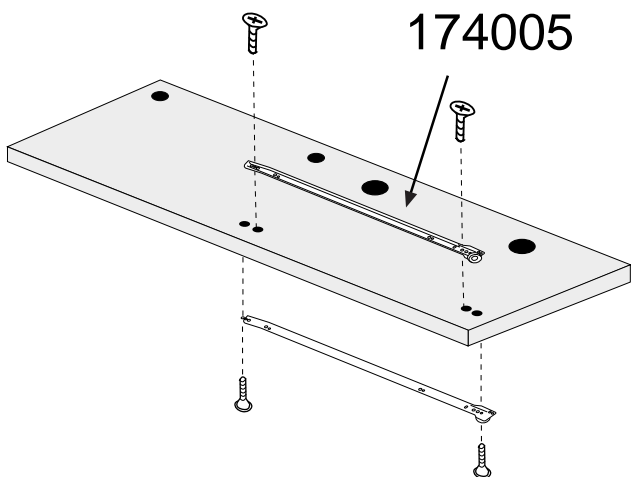
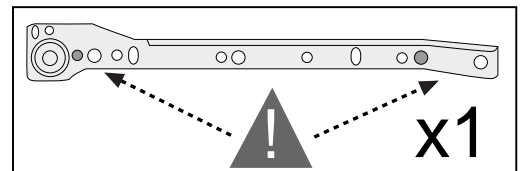
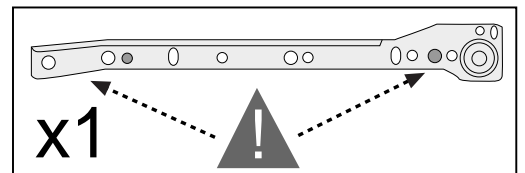
TV3135   x2



174003



6





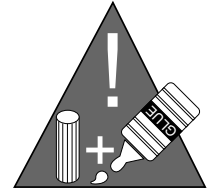
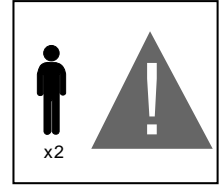
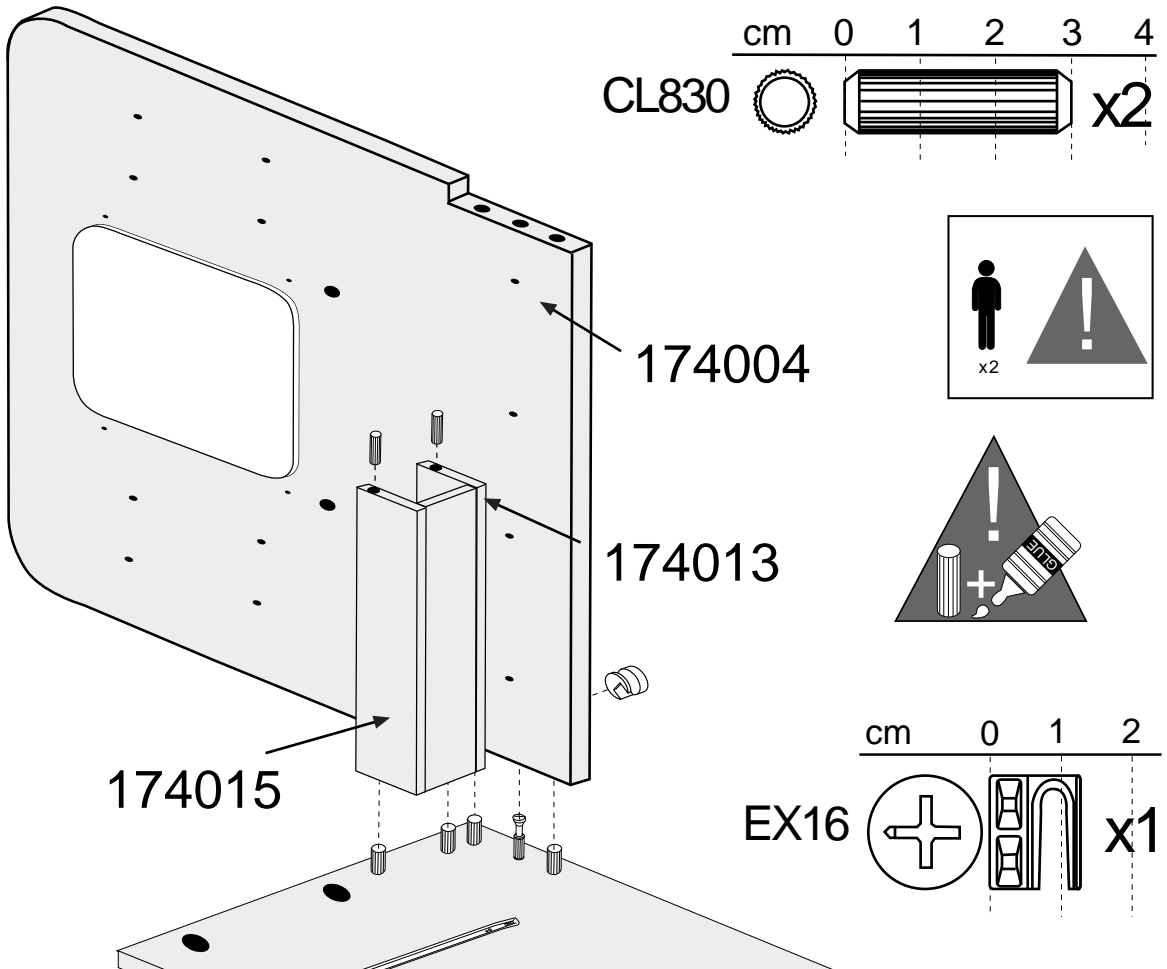
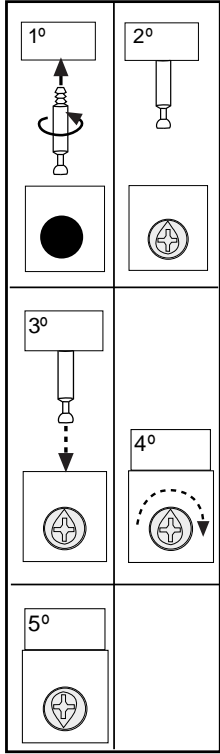
174005


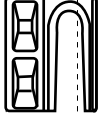
cm 0 1 2

TV3135   x4

7

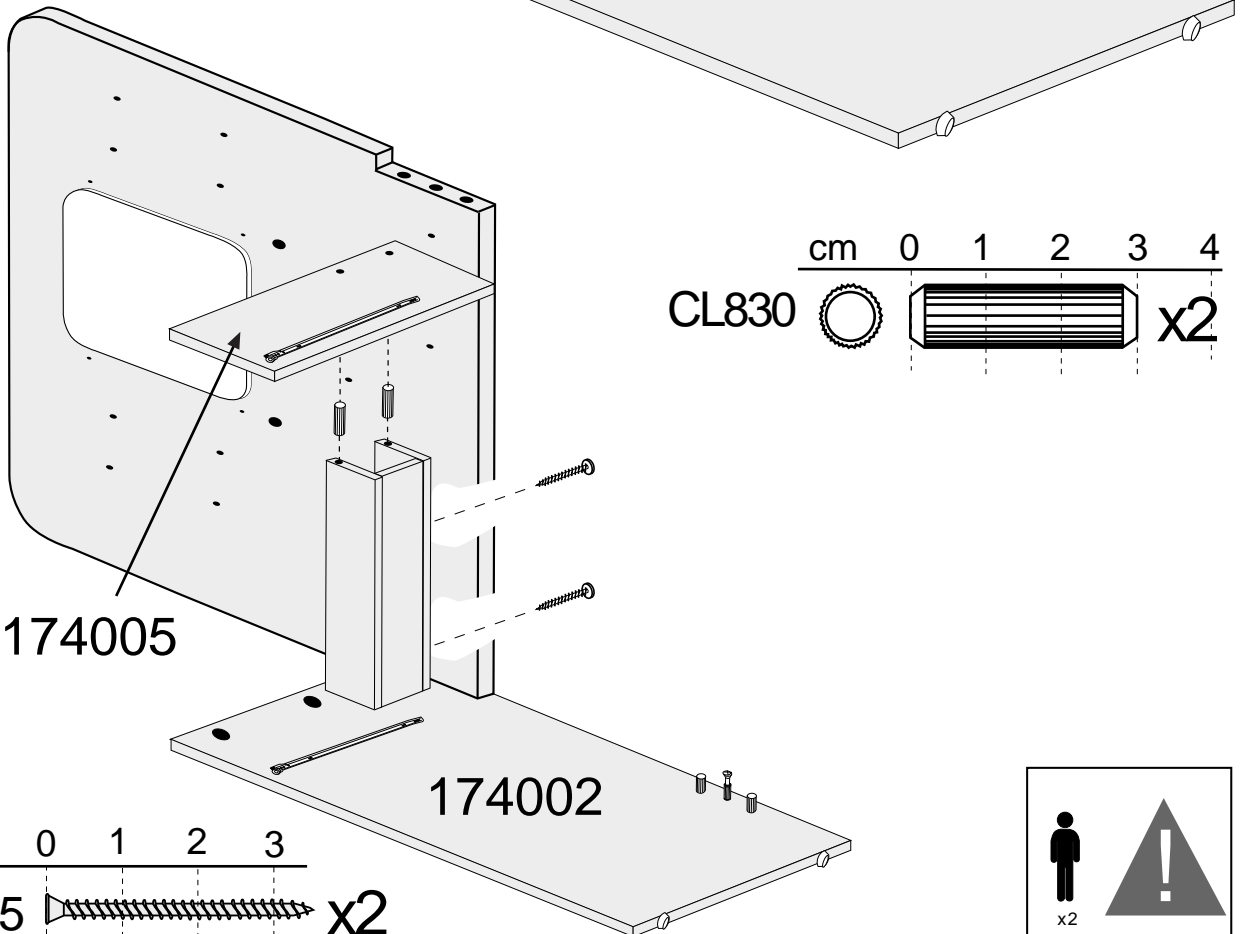
cm 0 1 2 3 4
CL830   x2





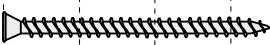
cm 0 1 2
EX16   x1

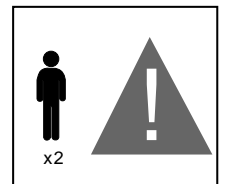
8

174002


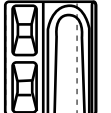


cm 0 1 2 3 4
CL830   x2

cm 0 1 2 3
TP4035  x2



cm 0 1 2

EX16   x1

174016



174014


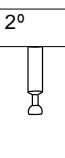
174004

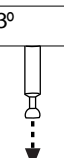

174006


174002

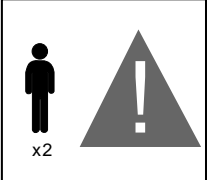
cm 0 1 2 3 4

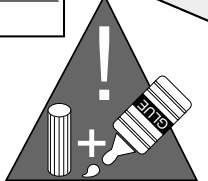
CL830   x2

1°  2° 

3°  4° 

5° 


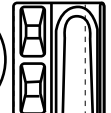
 x2



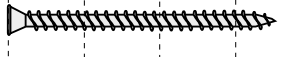
174003


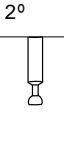
174002

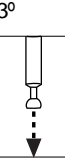

cm 0 1 2


EX16   x2

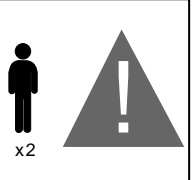
cm 0 1 2 3

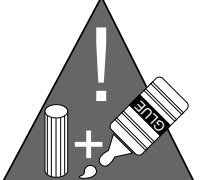
TP4035  x2

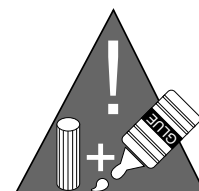
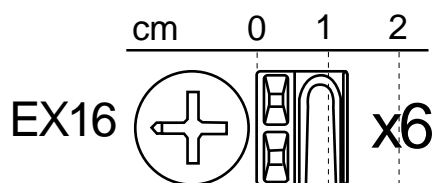
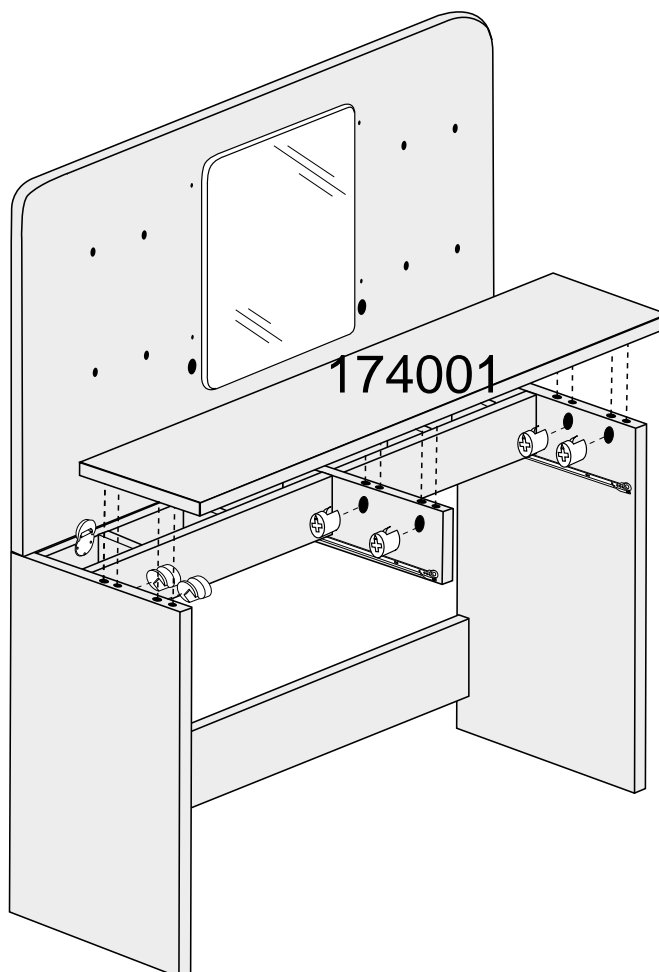
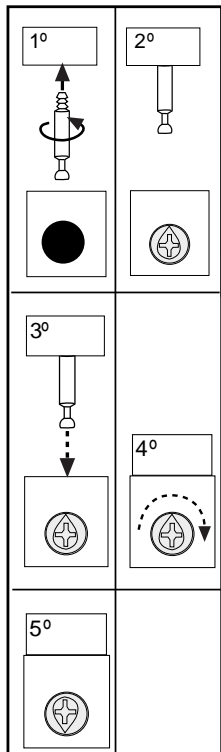
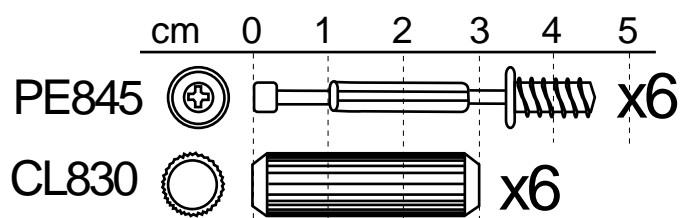
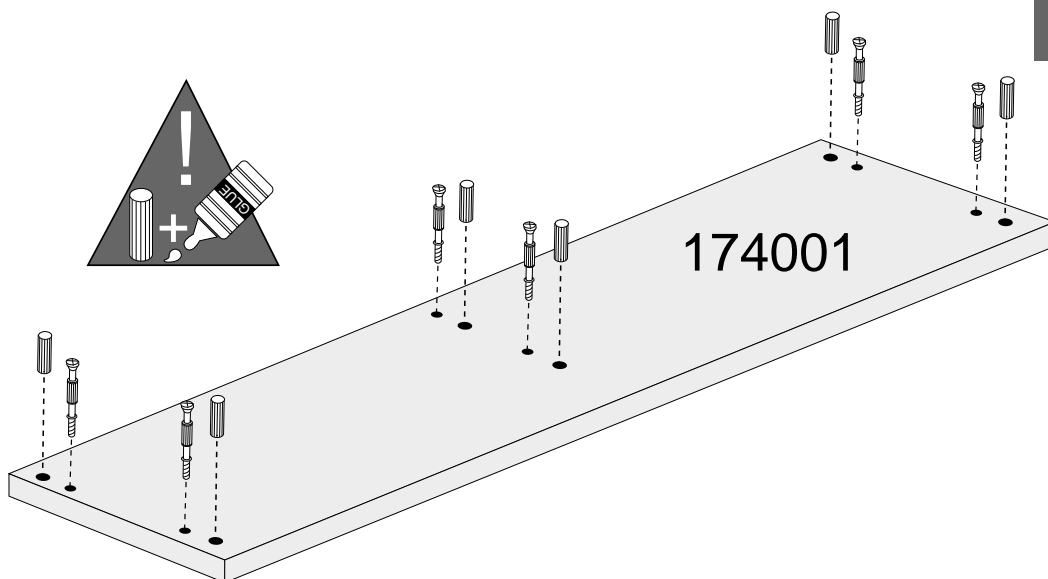
1°  2° 

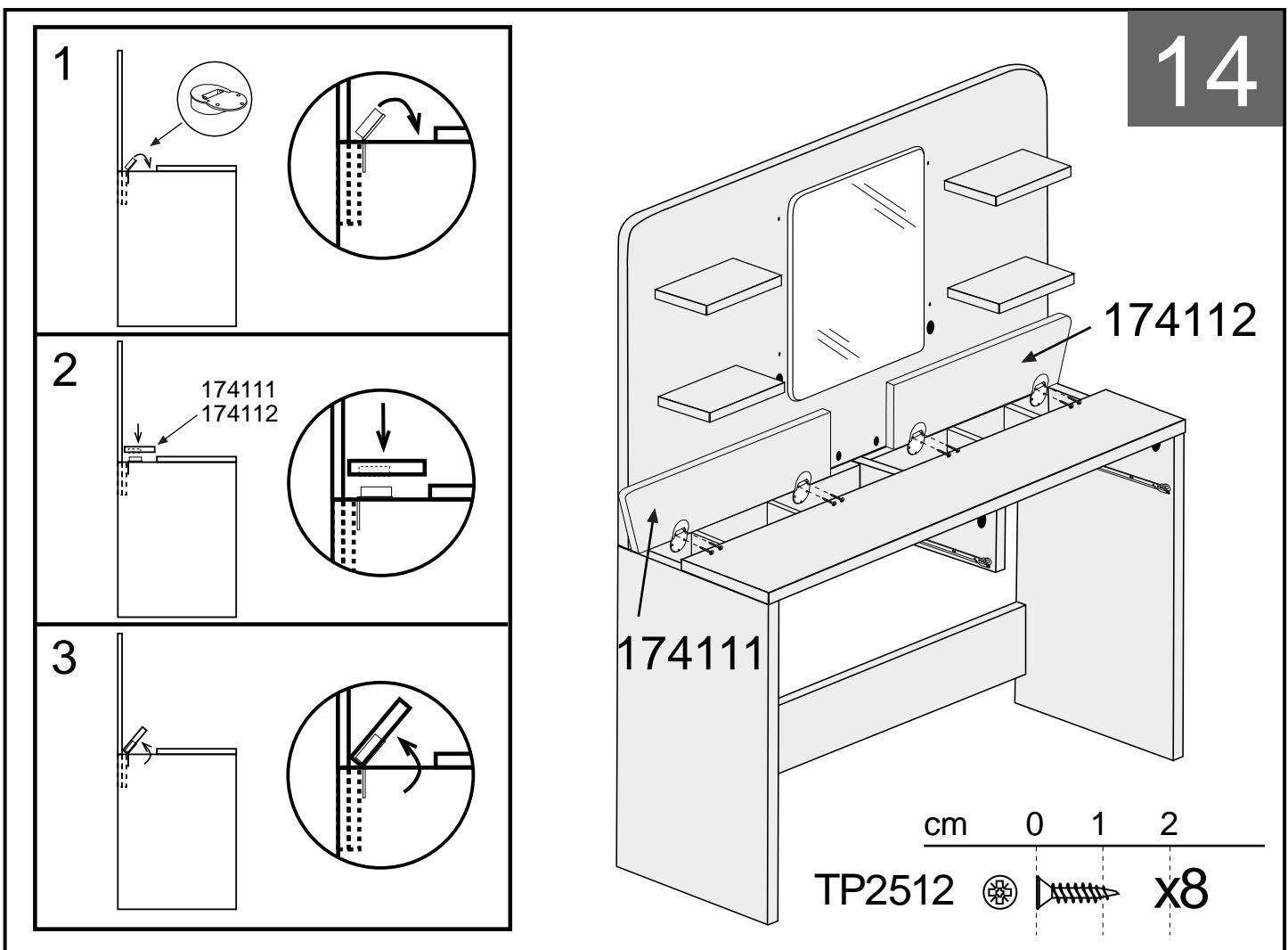
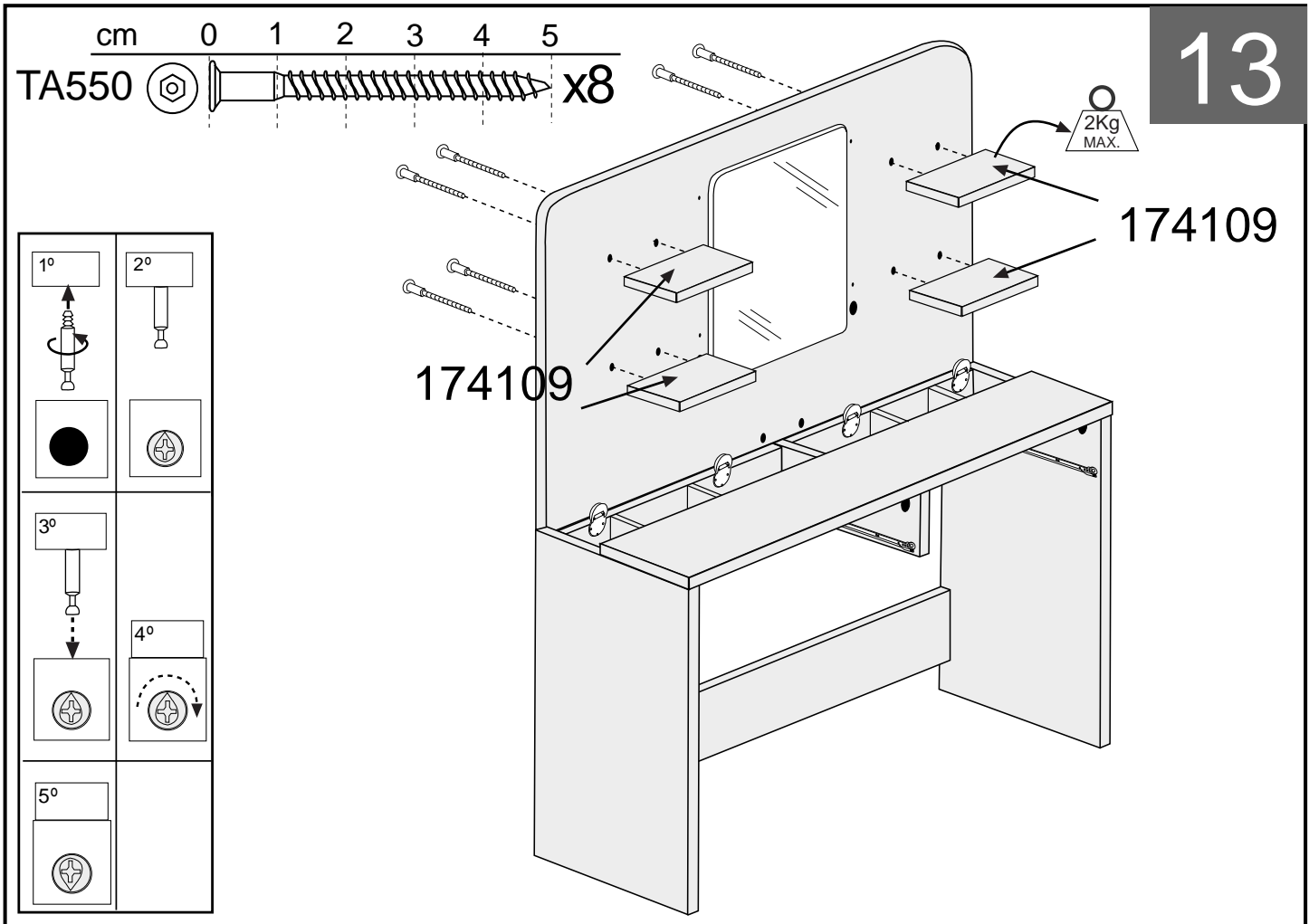
3°  4° 

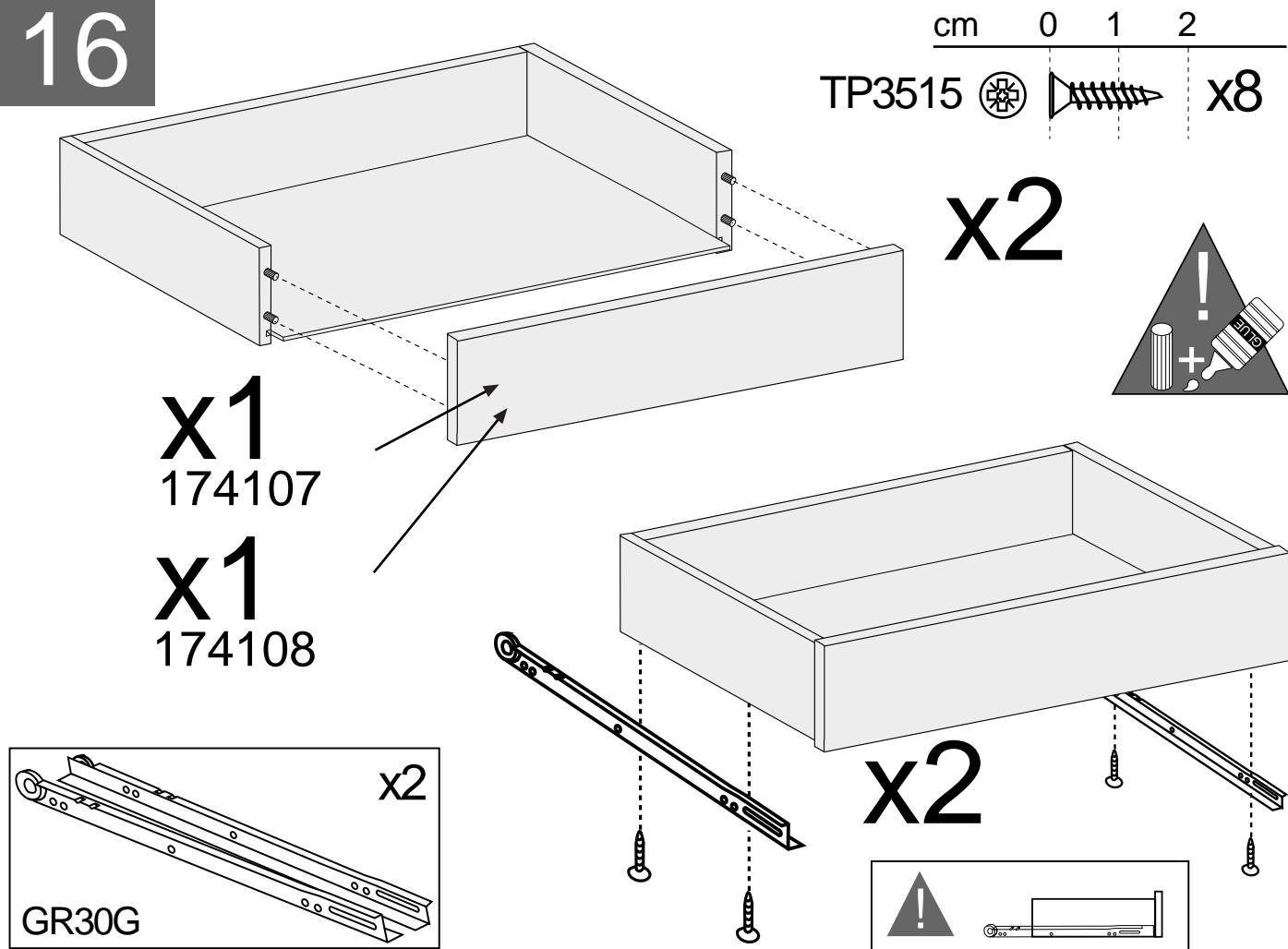
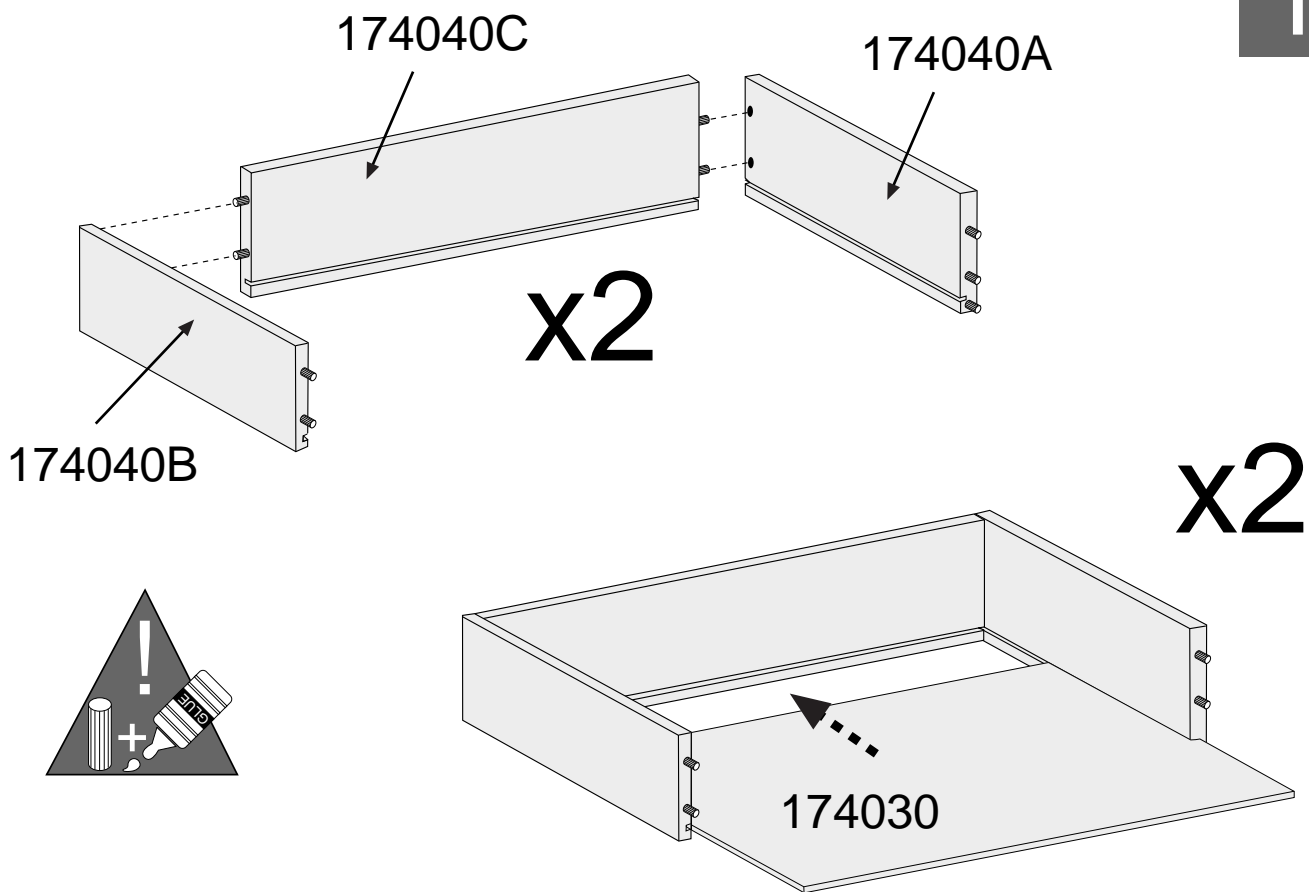
5° 

 x2

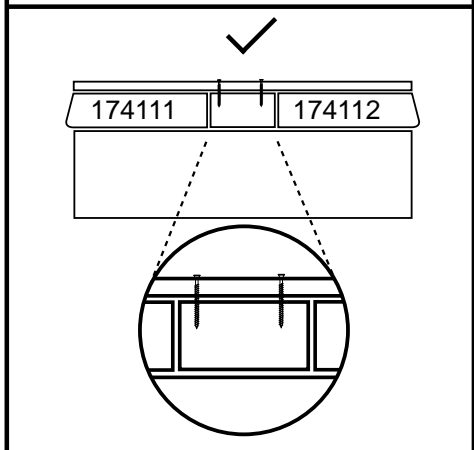
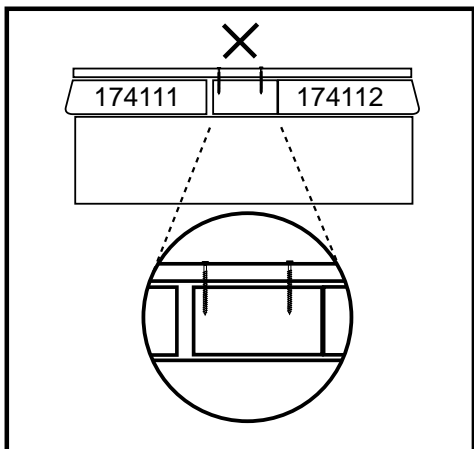




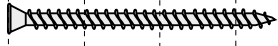


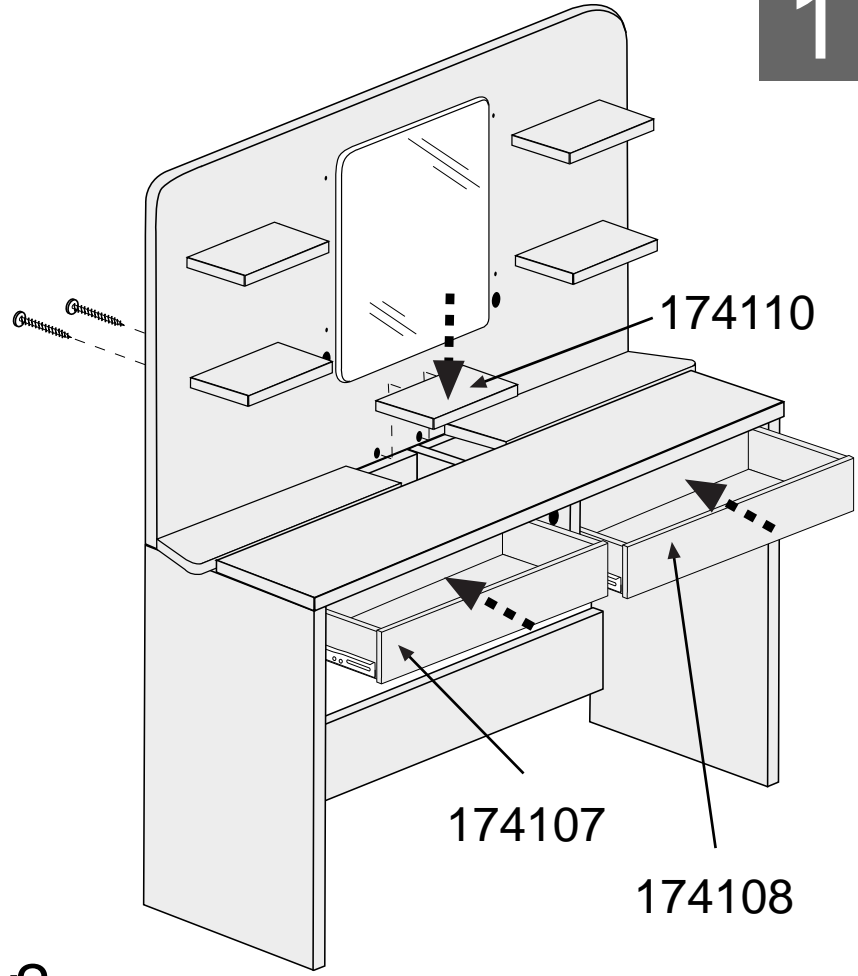


17

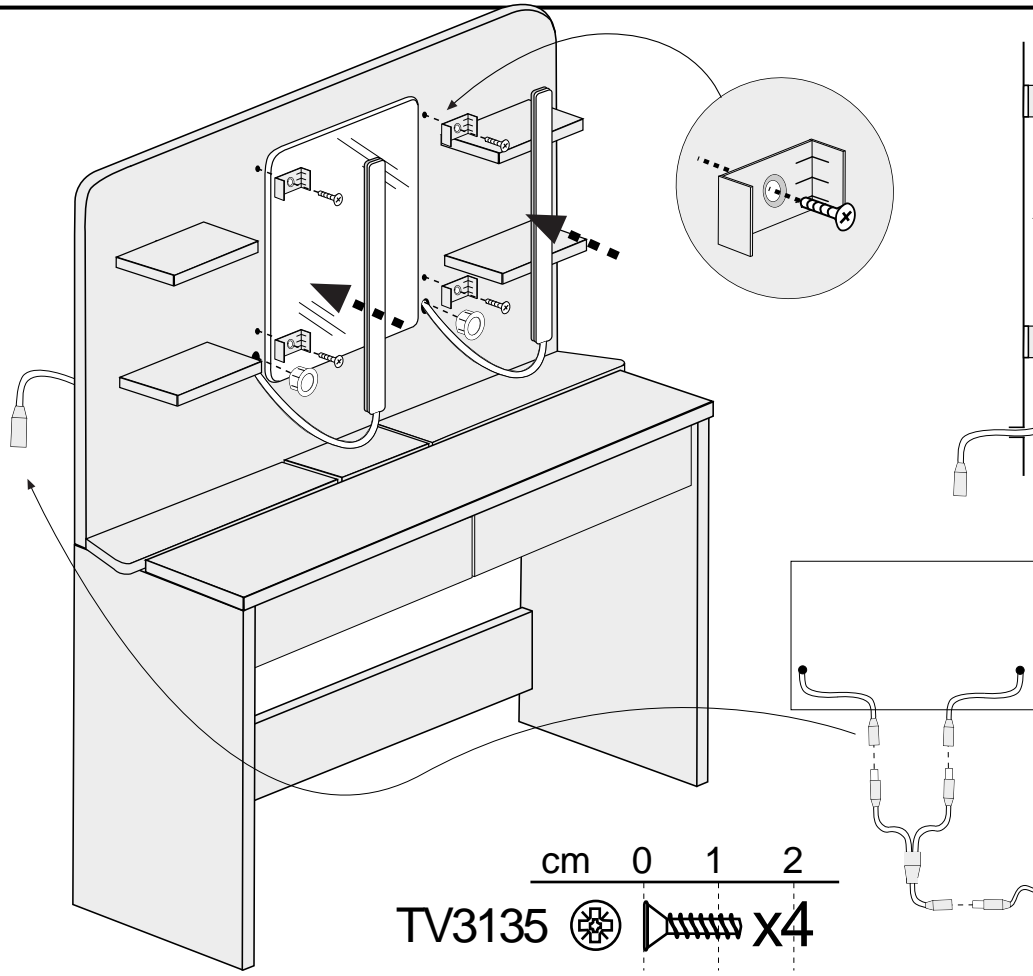


cm 0 1 2 3

TP4035  x2



18



cm 0 1 2

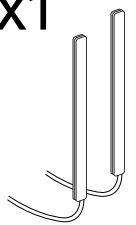
TV3135  x4

x2



PCB15

x1

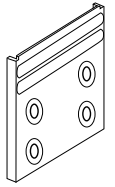


KLP400

19

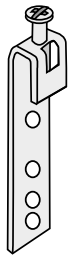
no incluido
not included
pas inclus
não incluído

x2



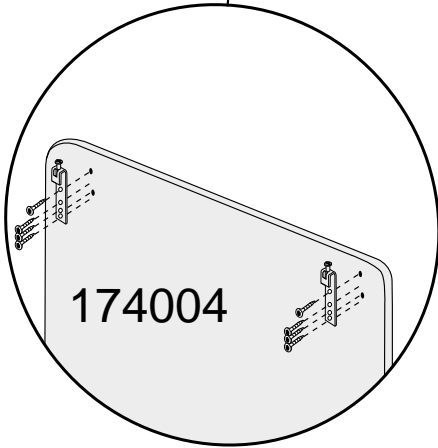
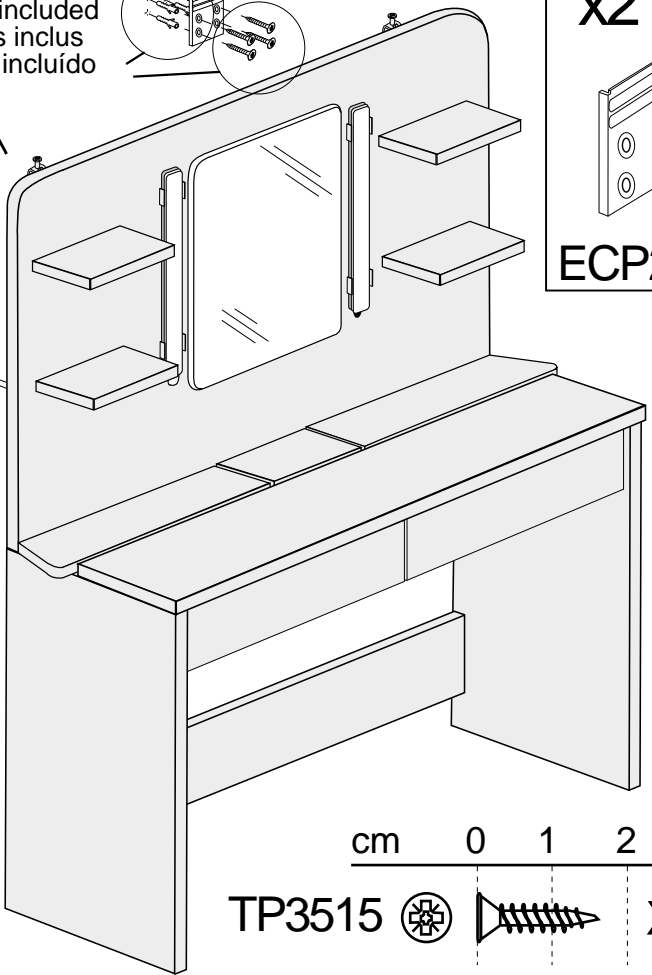
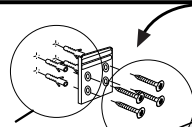
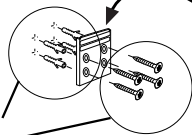
ECP2931

x2



ECC2931

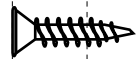
no incluido
not included
pas inclus
não incluído



174004

cm 0 1 2

TP3515



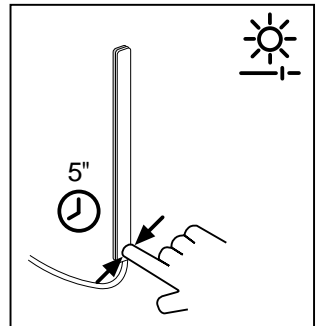
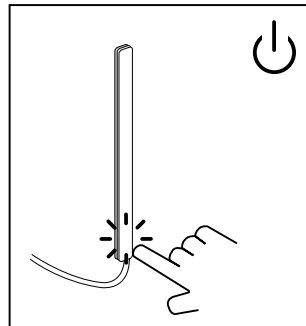
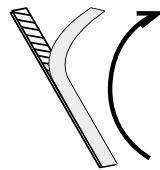
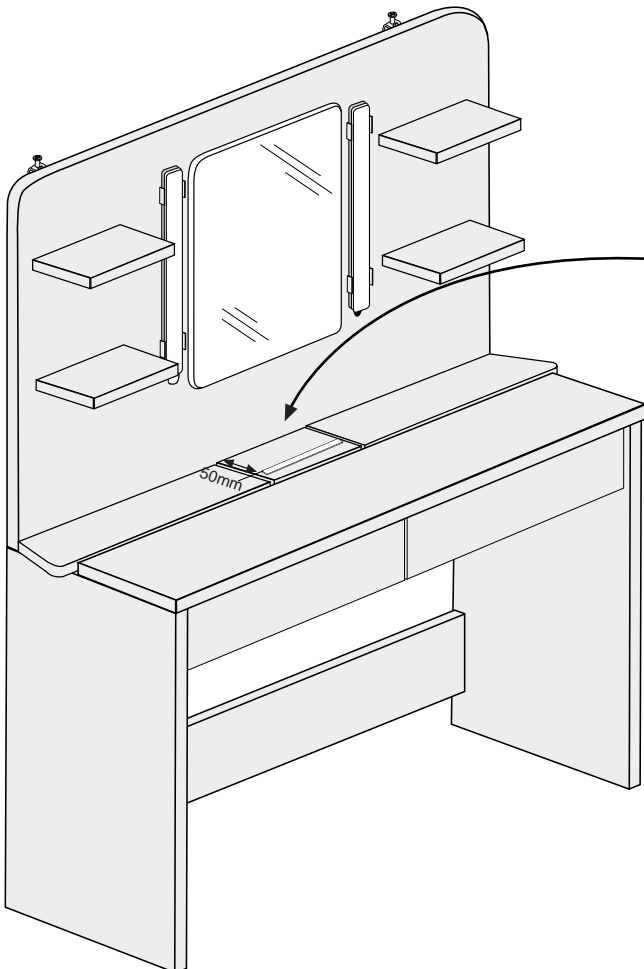
x8

20

x1



PALAD



PENSEZ AU TRI! ENSEMBLE REDUISONS L'IMPACT ENVIRONNEMENTAL DES EMBALLAGES

ÉLÉMENTS BOIS PLASTIQUE A JETER

ÉLÉMENTS METAL CARTON PAPIER A RECYCLER

Please dispose of all packaging safely.

General Care & Maintenance

Wipe clean with a slightly damp cloth.
Avoid the use of all household cleaners and abrasives.

Periodically check all screw & fixings to ensure they are secure.
When moving your product, carefully lift into place. Never drag or push the product across the floor as this will cause damage to the joints. If the product is used on hard flooring, such as wood or laminated floor, you must place some protection under the legs to stop the product from moving. If this is not adhered to, it could result in failure to the product that will invalidate the warranty.

For more information on cleaning and product care visit:
<https://www.happybeds.co.uk/help-and-advice>

Notes

We've tried to make this product as easy to assemble as possible. In the unlikely event that you have problems putting it together or have damaged or missing pieces, please contact us by visiting:

<https://www.happybeds.co.uk/customer-service>



www.happybeds.co.uk

