



Assembly Instructions

Seville Mirrored 2 Drawer Bedside Table



Important before assembly:

Read these instructions carefully before assembling or using the product.

Please check the contents of the boxes before attempting to assemble this product. The instructions will have a checklist of parts and fittings.

It would be sensible to lay a rug or a carpet on the floor where you intend to assemble the product, to avoid scratches and damaging the product or the floor.

Assemble the product as close to its intended final location/room as possible.

Do NOT use any power tools as this may damage the frame.

Health & Safety:

This product or some parts of this product will be heavy. Please use an assistant when lifting.

Please keep small parts out of reach of children.

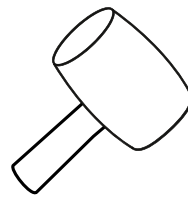
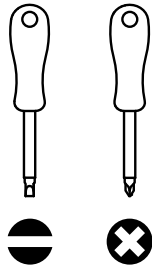
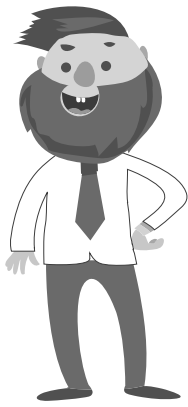
Always use on a level, even surface.

DO NOT jump on the product or any of its parts.

DO NOT use this product if any parts are missing, damaged or worn.

DO NOT use this product unless all fixings are secured.

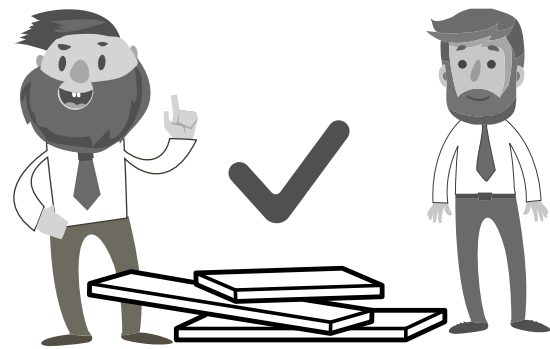
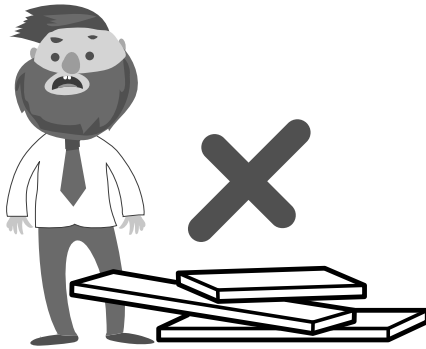
Please keep these instructions for future reference.



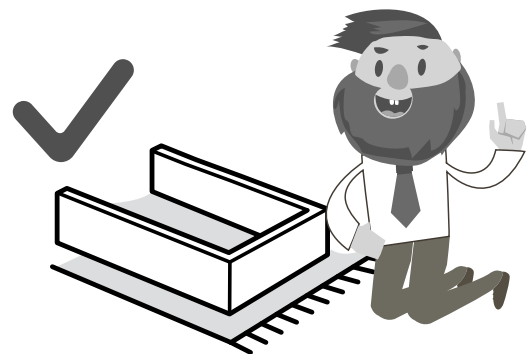
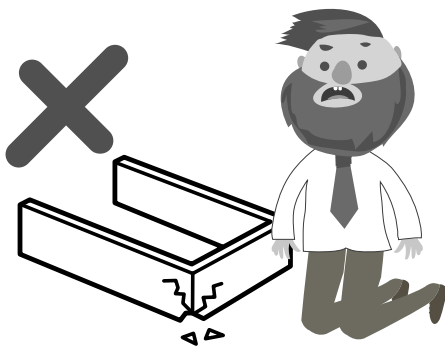
(Not metal)

These tools are not necessary, but may help to assemble certain parts of the product.

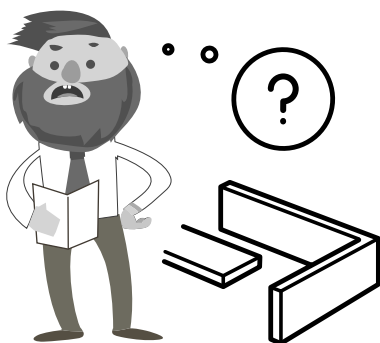
Do NOT use any power tools as this may damage the frame.



This product or some parts of this product will be heavy. Please use an assistant when lifting.



Never drag or push the pieces across a hard or stone floor as this will cause damage to the joints. Use a carpet or a rug for extra care.



If you have problems assembling or have damaged or missing pieces, please contact us by visiting:

<https://www.happybeds.co.uk/customer-service>



ASSEMBLY INSTRUCTIONS SEVILLE 2 DRAWER SIDEBORD

IMPORTANT: READ THESE INSTRUCTIONS CAREFULLY BEFORE ASSEMBLING OR USING YOUR SEVILLE 2 DRAWER SIDEBORD.

PLEASE KEEP THESE INSTRUCTIONS FOR FUTURE REFERENCE.

HEALTH & SAFETY:

DO NOT use this item if any parts are missing, damaged or worn.

DO NOT use this item unless all fixings are secured.

Please keep small parts out of reach of children.

Always use on a level, even surface.

CARE & MAINTENANCE:

Assemble in the room of use.

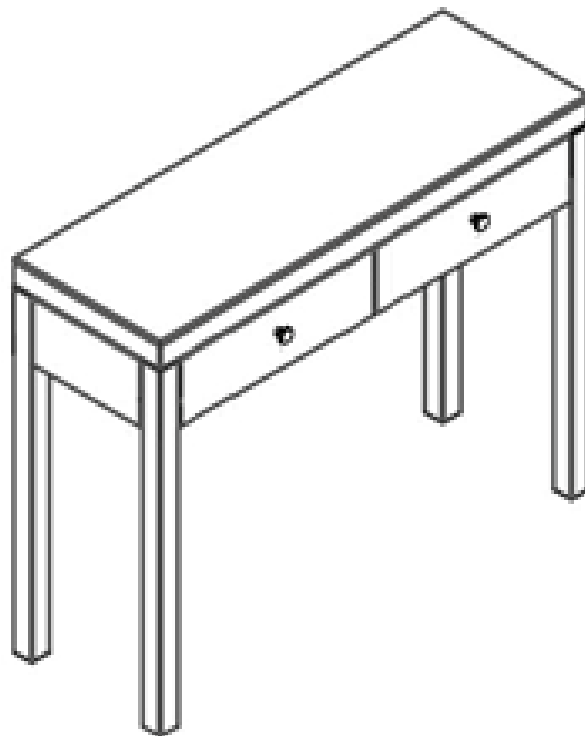
Assemble on a soft, clean surface to prevent damages.

Periodically check all screws & fixings to ensure they are secure.

DO NOT push the item as this will damage the legs.

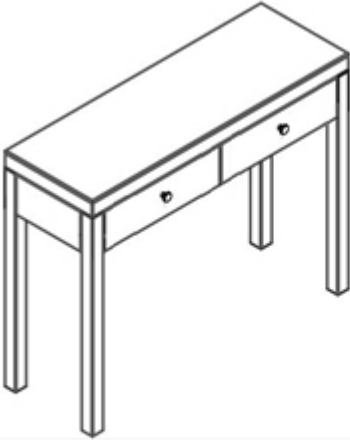
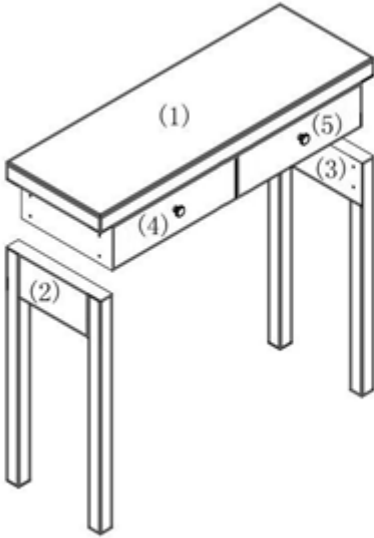












Always lift the item with two people to reposition.

Keep any sharp objects away from the frame.



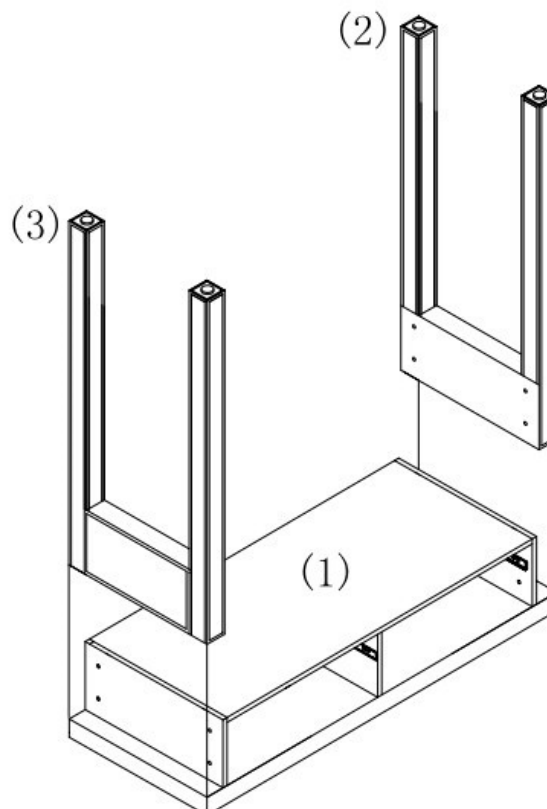
Parts

Fittings

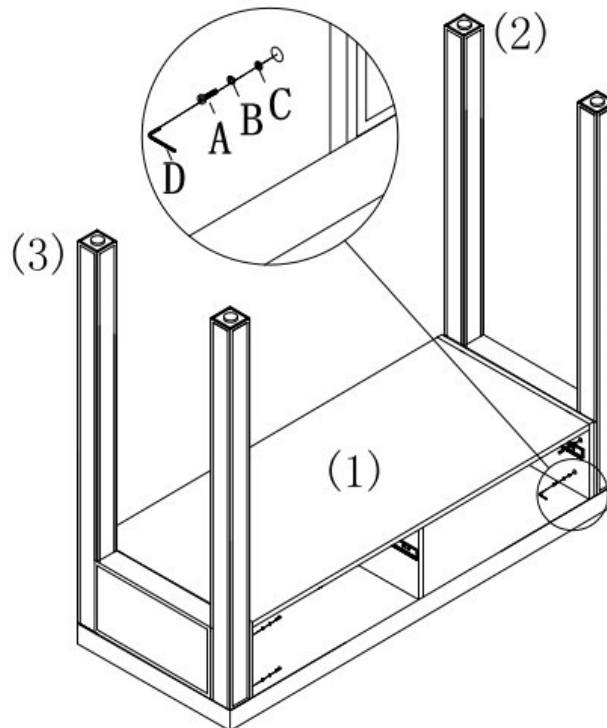
		<table border="1"> <tr> <td data-bbox="1118 322 1150 367">A</td> <td data-bbox="1230 315 1305 367">  </td> </tr> <tr> <td colspan="2" data-bbox="1166 389 1417 427">M8 × 40mm x 8pcs</td> </tr> <tr> <td data-bbox="1118 450 1150 495">B</td> <td data-bbox="1273 443 1321 495">  </td> </tr> <tr> <td colspan="2" data-bbox="1155 517 1485 555">spring washer x 8pcs</td> </tr> <tr> <td data-bbox="1118 577 1150 622">C</td> <td data-bbox="1267 571 1315 622">  </td> </tr> <tr> <td colspan="2" data-bbox="1187 645 1390 683">washer x8pcs</td> </tr> <tr> <td data-bbox="1118 705 1150 750">D</td> <td data-bbox="1257 712 1358 750">  </td> </tr> <tr> <td colspan="2" data-bbox="1139 772 1485 810">6mm Allen key × 1PCS</td> </tr> </table>	A		M8 × 40mm x 8pcs		B		spring washer x 8pcs		C		washer x8pcs		D		6mm Allen key × 1PCS	
A																		
M8 × 40mm x 8pcs																		
B																		
spring washer x 8pcs																		
C																		
washer x8pcs																		
D																		
6mm Allen key × 1PCS																		

1.(1) Carefully turn table top (1) upside down resting it on the top surface, it is recommended to rest the item on the packaging to prevent damage during assembly.

(2) Insert the legs into the slots on underside of table top (match up the sticker on legs to that on table top)



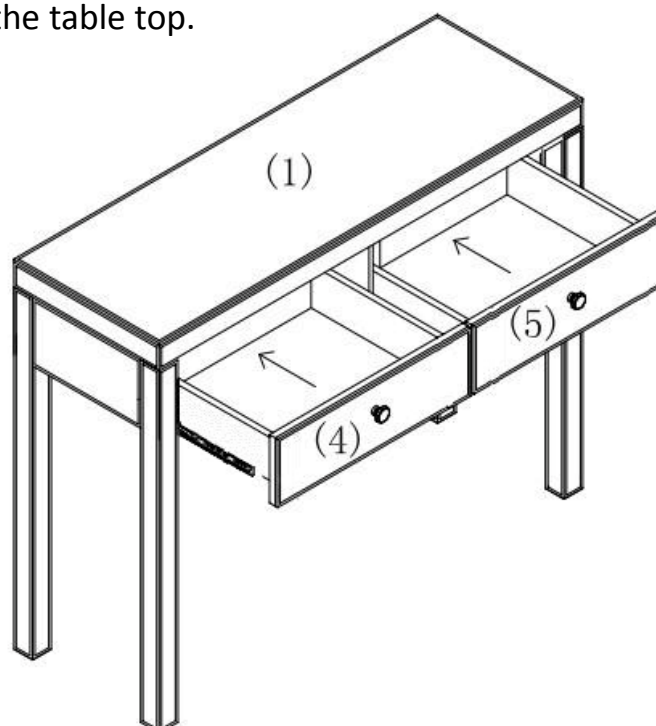
2. Attach table top (1) to legs (2) & (3) using 8 x washers (C), 8 x spring washers (B) and 8 x bolts (A). Tighten with Allen key (D).



3. (1) Carefully turn the console over using two people to lift safely.

(2) Insert drawers back into table top

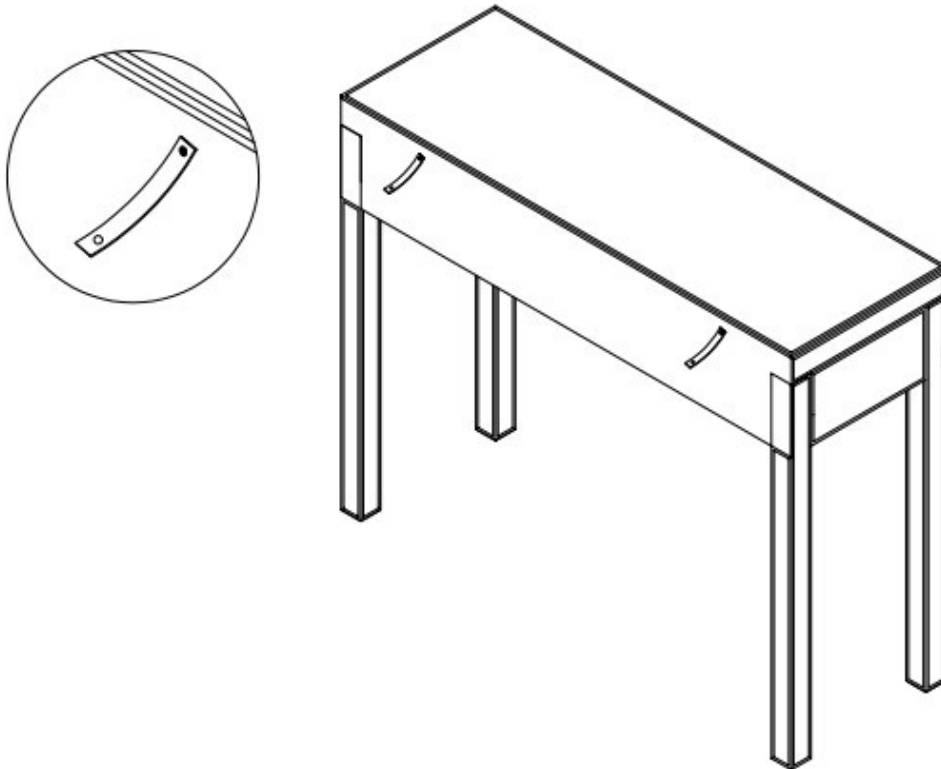
NOTE: Your console table is now ready for use. Always remember to use mats and coasters when placing items on the table top.



4. This item comes pre-fitted with two wall attachment straps. Attach the ends of the wall attachment straps to the wall once the item has been placed into the required position using appropriate screws, washers and wall plugs for your wall type.

WARNING: Ensure the area to be drilled is free from hidden electrical wires and water or gas pipes.

NOTE: Wall fixings are not included. Source suitable fixings for your wall type, if in doubt consult a qualified tradesperson.



Please dispose of all packaging safely.

General Care & Maintenance

Wipe clean with a slightly damp cloth.
Avoid the use of all household cleaners and abrasives.

Periodically check all screw & fixings to ensure they are secure.
When moving your product, carefully lift into place. Never drag or push the pieces across the floor as this will cause damage to the joints and could result in failure to the product that will invalidate the warranty.

For more information on cleaning and product care visit:
<https://www.happybeds.co.uk/help-and-advice>

Notes

We've tried to make this product as easy to assemble as possible. In the unlikely event that you have problems putting it together or have damaged or missing pieces, please contact us by visiting:

<https://www.happybeds.co.uk/customer-service>



www.happybeds.co.uk

