

Assembly Instructions

Important before assembly:

Read these instructions carefully before assembling or using the product.

Please check the contents of the boxes before attempting to assemble this product. The instructions will have a checklist of parts and fittings.

Assemble the product as close to its intended final location/room as possible.

Health & Safety:

This product or some parts of this product will be heavy. Please use an assistant when lifting.

Please keep small parts out of reach of children.

Always use on a level, even surface.

DO NOT jump on the product or any of its parts.

DO NOT use this product if any parts are missing, damaged or worn.

DO NOT use this product unless all fixings are secured.

Further instructions are on the following pages.

Please keep these instructions for future reference.



This product or some parts of this product will be heavy. Please use an assistant when lifting.



Never drag or push the pieces across a hard or stone floor as this will cause damage to the joints. Use a carpet or a rug for extra care.



If you have problems assembling or have damaged or missing pieces, please contact our customer services (details at the back of these instructions)

Happy beds™

www.happybeds.co.uk

Health & Safety:

This product or some parts of this product will be heavy. Please use an assistant when lifting.

Please keep small parts out of reach of children.

Always use on a level, even surface.

DO NOT jump on the product or any of its parts.

DO NOT use this product if any parts are missing, damaged or worn.

DO NOT use this product unless all fixings are secured.

Please keep these instructions for future reference.

Important for Ottoman and other gas lift beds

Note:

The gas lifts are fully extended during shipment for safety. After assembly a firm downward push will be required to overcome any resistance in the gas lifts as these may initially stick. We suggest placing a mattress on top of the bed base to aid this and also test the operation of your new lift-up bed by lifting and pushing down the bed base a few times to free off the system.

Do NOT operate the lift-up mechanism without the mattress placed on the base.

The lift mechanism provides assistance with the lift of the mattress fitted to the base. It does not lift the mattress for you. The system has been designed to effectively lift the base system fitted with a variety of mattress weights and combinations of depths.

The gas cylinders fitted to the system may be stiff when first used or if the system has not been operated for a period of time.

If provided, use the strap handle to lift up the mattress base using two hands. Pull the mattress base down using two hands equally spaced from the centre of the mattress base. DO NOT pull down on one side of the base only as this is likely to damage the base system with potential failure of the mattress base system and lift mechanism.

Caution:

Do NOT allow children to operate the lift mechanism.

Do NOT allow children near the lift base when operating the mechanism.

Do NOT allow children in the area of the internal storage base.

Keep hands clear of the mechanism when operating the base system.

Do NOT stand inside the bed or the internal storage base.

Do NOT overload the internal storage base.

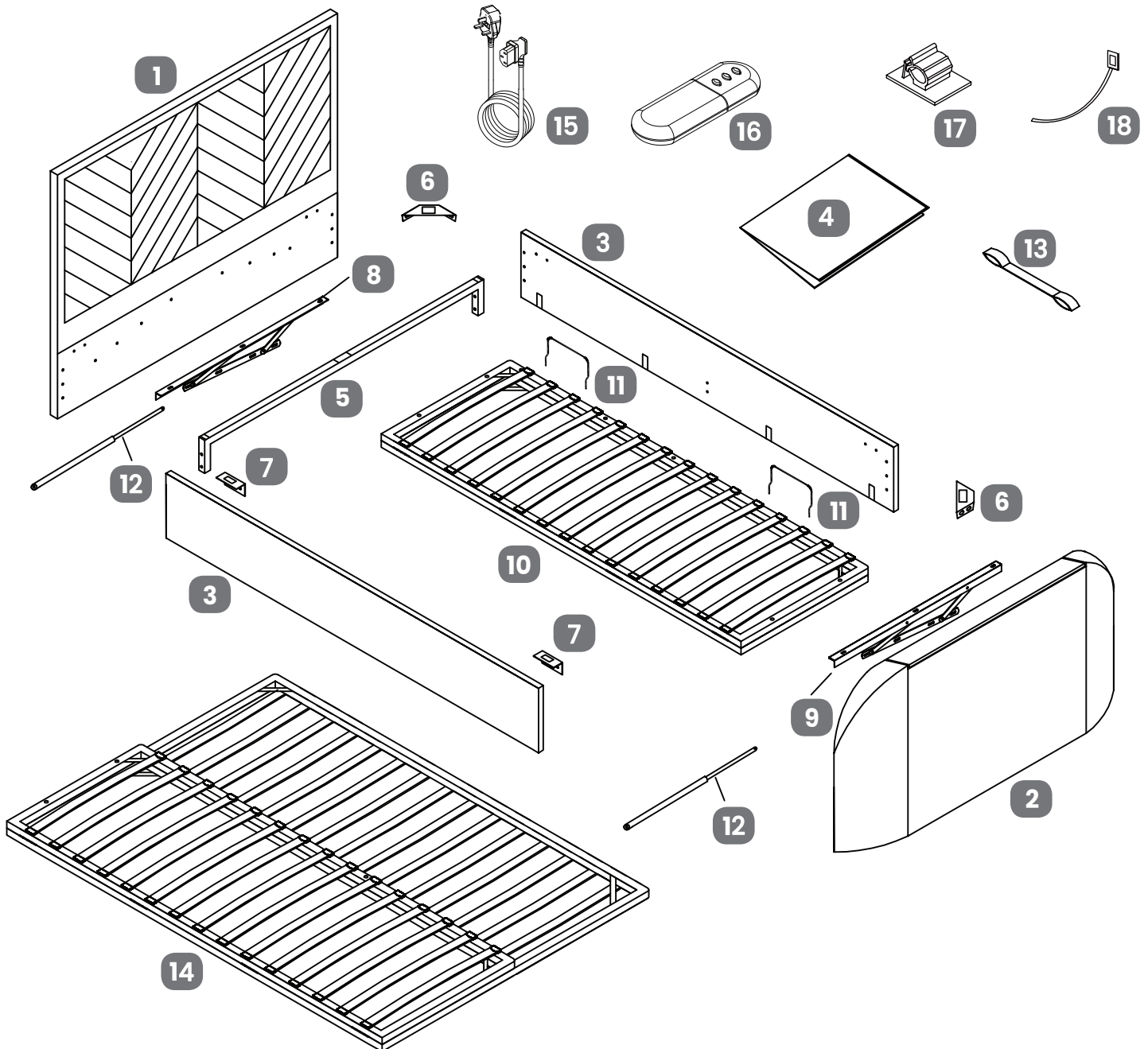




happybeds

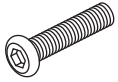




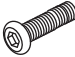
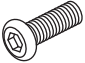
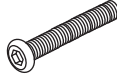



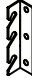
No	Part List	Qty	Box
1	Headboard	1 pc	1
2	Footboard	1 pc	2
3	Side rails	2 pc	3
4	Fabric base cover	1 pc	4
5	"U" shaped cross bar	1 pc	4
6	Angled corner brackets	2 pcs	4
7	"L" shape frame support brackets	2 pcs	4
8	Lift mechanism	1 pc	4
9	Lift mechanism	1 pc	4

No	Part List	Qty	Box
10	Metal slat frame for double or king size	1 pc	4
11	Mattress stoppers	2 pcs	4
12	Gas lift pistons	2 pcs	4
13	Fabric hand strap	1 pc	4
14	Metal slat frame for super king size	1 pc	2
15	Mains power lead	1 pc	2
16	Remote control for TV Lift	1 pc	2
17	Cable clips	3 pcs	2
18	Cable ties	3 pcs	2

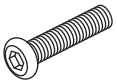
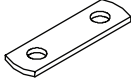




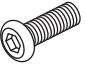
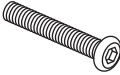

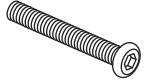




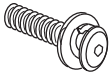

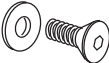
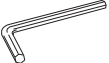
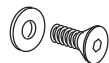
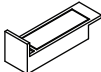
HARDWARE NEEDED FOR BED ASSEMBLY (PACK A)

No	Hardware List	Qty	Box	No	Hardware List	Qty	Box
A	Bolt (M8x35mm) for fitting side rail hook brackets to headboard & footboard 	12 pcs	3	G	Allen key for M6 bolts 	1 pc	3
B	Spring washer for M8 bolts 	24 pcs	3	H	Allen key for M8 bolts 	1 pc	3
C	Flat washer for M8 bolts 	24 pcs	3	J	Bolt (M6x20mm) for fitting "L" shaped brackets (7) to side rails (3) 	12 pcs	3
D	Bolt (M8x20mm) for fitting hook brackets (L & M) to side rails (3) 	12 pcs	3	K	Bolt (M6x45mm) for fitting "U" shape cross bar to side rails (3) 	4 pcs	3
E	Spring washer for M6 bolts 	16 pcs	3	L	Hook bracket - LH 	2 pcs	3
F	Flat washer for M6 bolts 	16 pcs	3	M	Hook bracket - RH 	2 pcs	3

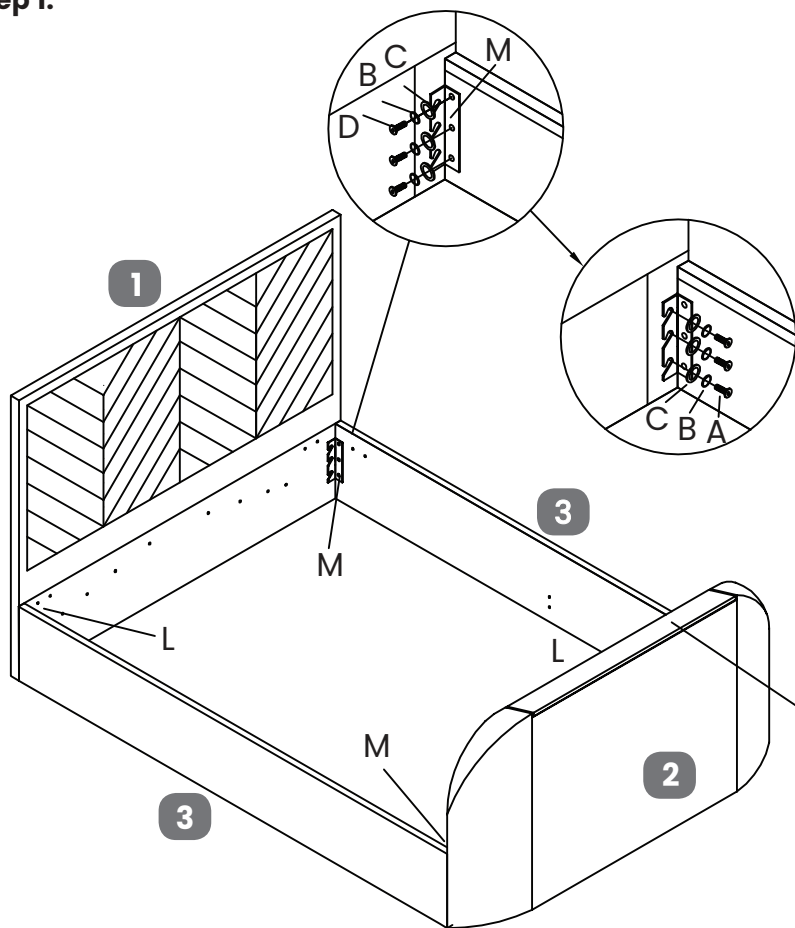
HARDWARE NEEDED FOR METAL SLAT FRAME ASSEMBLY (PACK B)

No	Hardware List	Qty	Box	No	Hardware List	Qty	Box
A	Bolts (M8x35mm) for fitting lift mechanism (8 or 9) to footboard (2) 	4 pcs	3	P	Metal connection plate 	2 pcs	3
B	Spring washer for M8 bolts 	18 pcs	3	Q	Flanged M8 lock-nut 	10 pcs	3
C	Flat washer for M8 bolts 	24 pcs	3	R	Spanner for flanged M8 Lock-nuts 	1 pc	3
D	Bolts (M8x20mm) for fitting angled corner brackets (6) 	4 pcs	3	S	Bolts (M8x50mm) for fitting metal slat frame (10 or 14) to lift mechanism (8 & 9) 	6 pcs	3
N	Plastic spacer for lift mechanisms (8 & 9) 	8 pcs	3	T	Bolts (M8x65mm) for fitting lift mechanism (8 or 9) to headboard (1) 	4 pcs	3

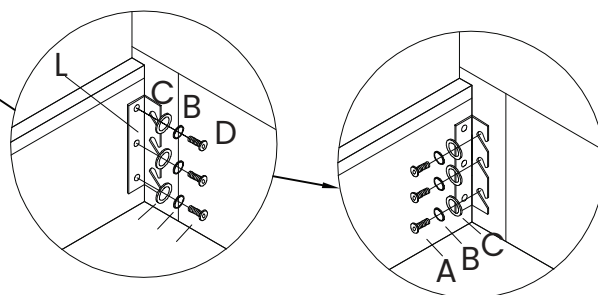
HARDWARE NEEDED FOR TV INSTALLATION (PACK C)

No	Hardware List	Qty	Box	No	Hardware List	Qty	Box
U	Bolt set M8 x 25mm 	2 pcs	2	V	Allen key (4mm) 	1 pc	2
	Counter-sunk screw set (M6x12mm) 	2 pcs	2		Allen key (2.5mm) 	1 pc	2
	Counter-sunk screw set (M4x12mm) 	2 pcs	2	W	TV Support Slide 	2 pcs	2

Step 1:



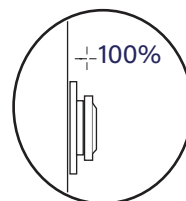
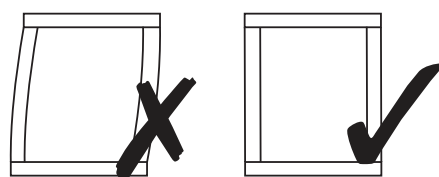
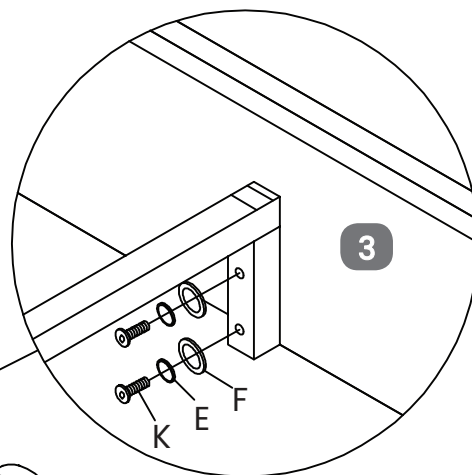
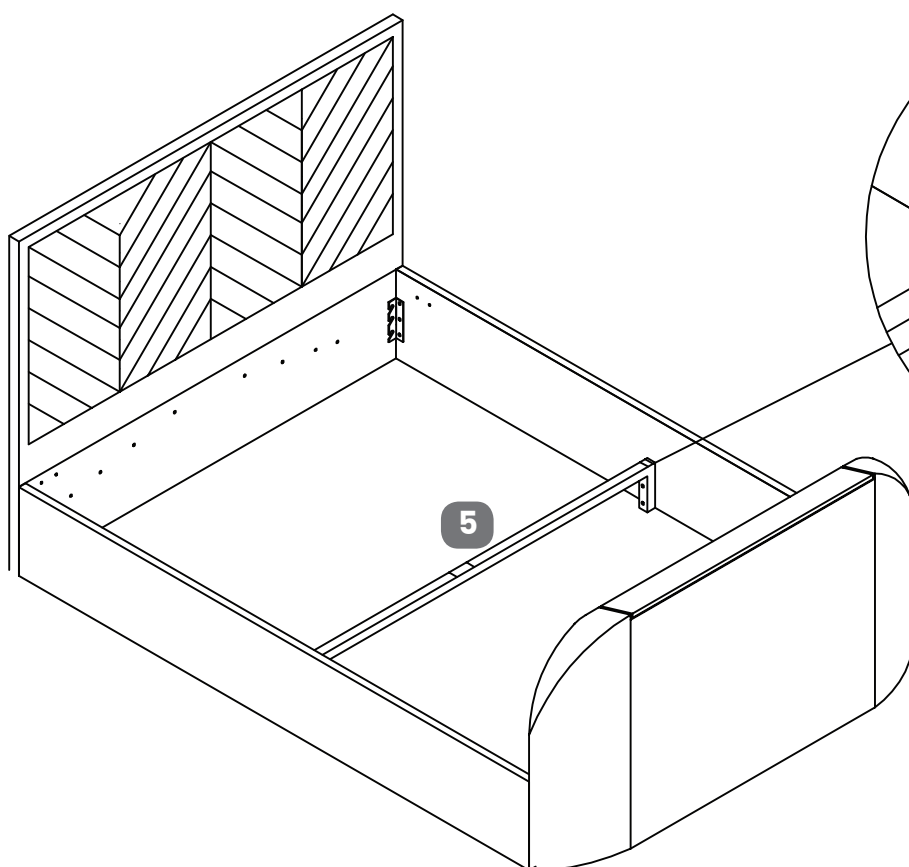
A	Bolts (M8x35mm)		12 pcs
B	Spring Washer for M8 bolts		24 pcs
C	Flat Washer for M8 bolts		24 pcs
D	Bolts (M8x20mm)		12 pcs
H	Allen key for M8 bolts		1 pc
L	Hook Bracket - LH		2 pcs
M	Hook Bracket - RH		2 pcs



Step 2:





E	Spring Washer for M6 bolts		4 pcs
F	Flat Washer for M6 bolts		4 pcs

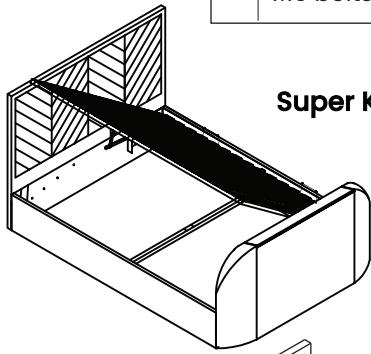
H	Allen key for M6 bolts		1 pc
K	Bolts (M6x45mm)		4 pcs



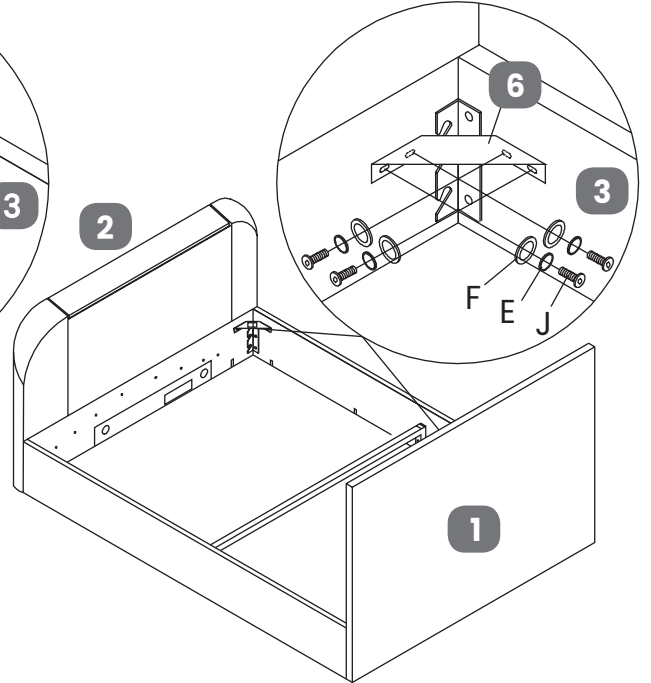
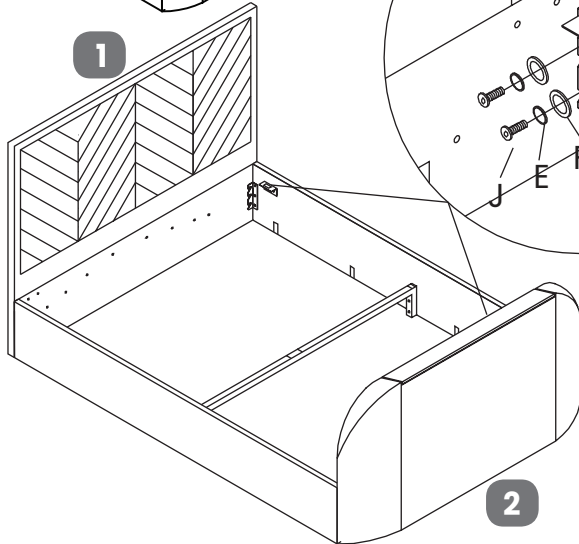
Step 3a:

Note: depending on your purchase, please use this hardware for:
(3a) Super King size - or for (3b) Double & King size.

E	Spring Washer for M6 bolts		12 pcs	F	Flat Washer for M6 bolts		12 pcs
H	Allen key for M6 bolts		1 pc	J	Bolts (M6x20mm)		12 pcs

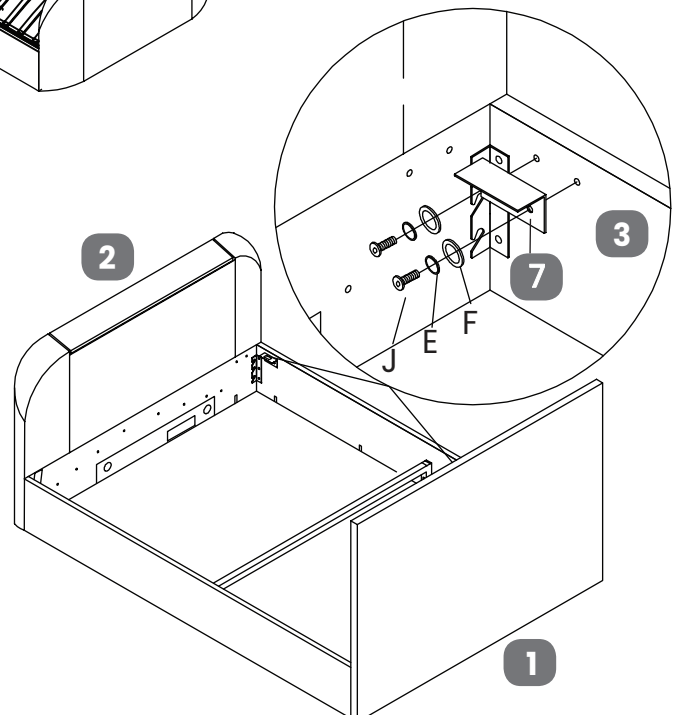
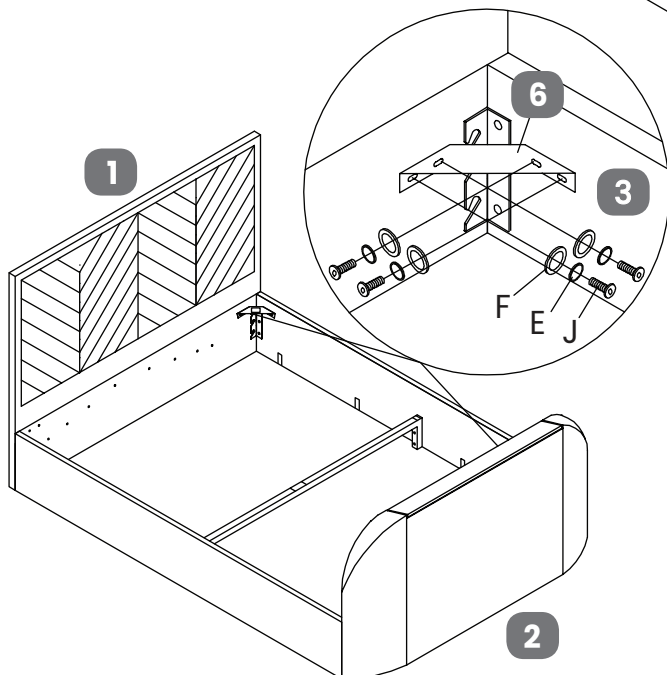
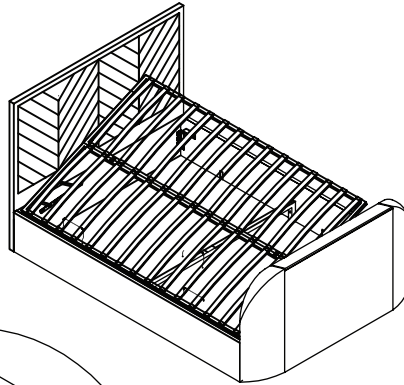


Super King size



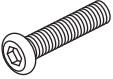




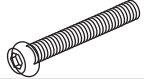
Step 3b:

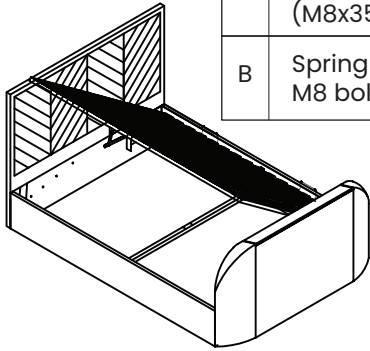
Double & King size



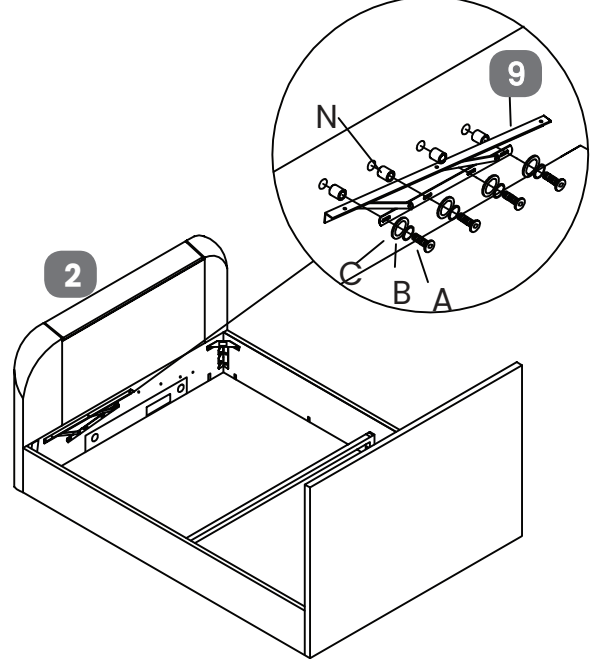
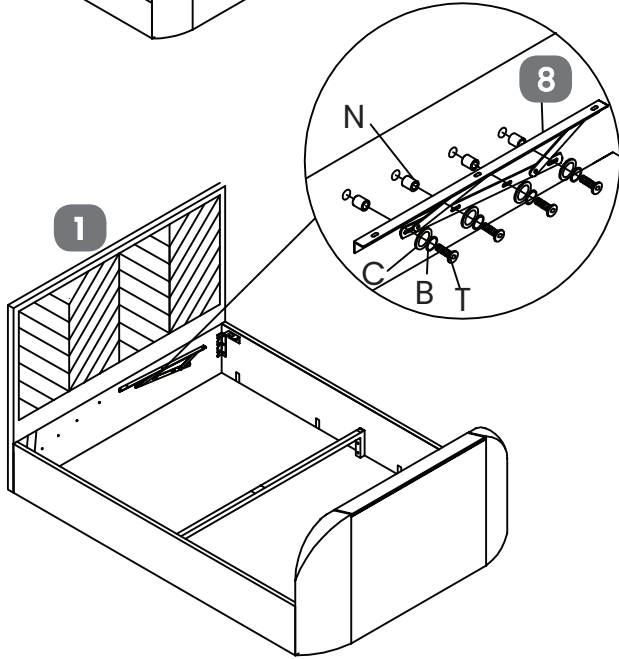
Step 4a:

Note: depending on your purchase, please use this hardware for:
(4a) Super King size - or for (4b) Double & King size.

A	Footboard Bolts (M8x35mm)		4 pcs	C	Flat Washer for M8 bolts		8 pcs
B	Spring Washer for M8 bolts		8 pcs	H	Allen key for M8 bolts		1 pc
				N	Plastic spacer for lift mechanisms (8 & 9)		8 pcs
				T	Headboard Bolts (M8x65mm)		4 pcs

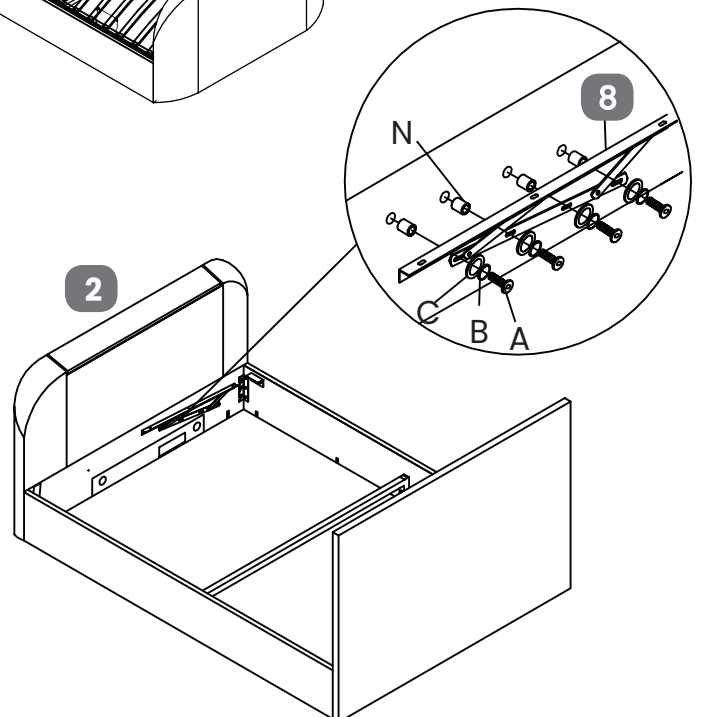
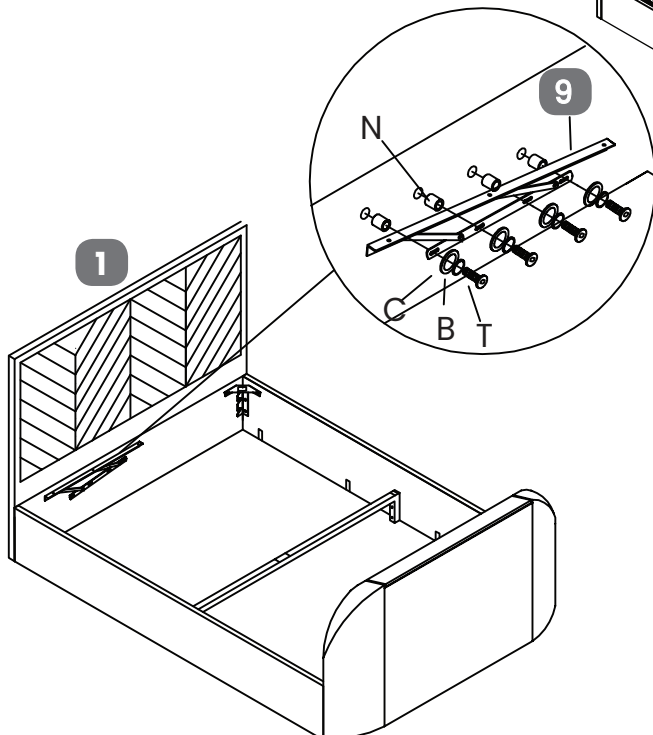
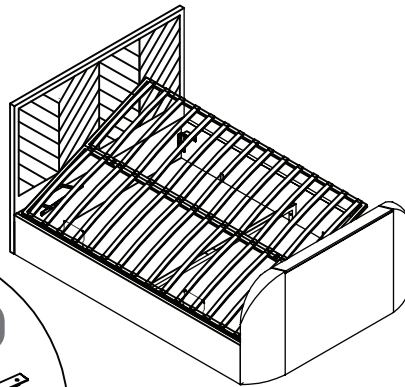


Super King size

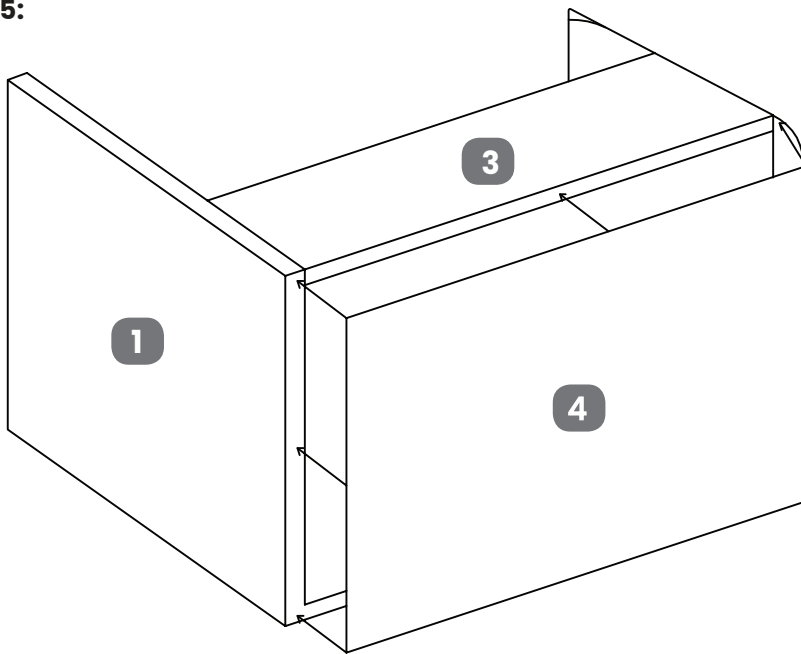


Step 4b:

Double & King size





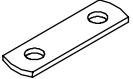


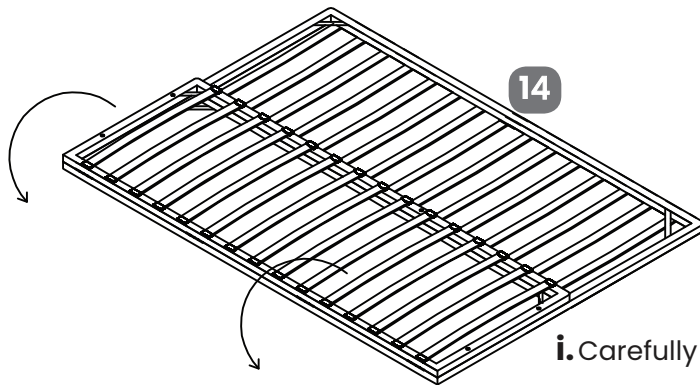
Step 5:



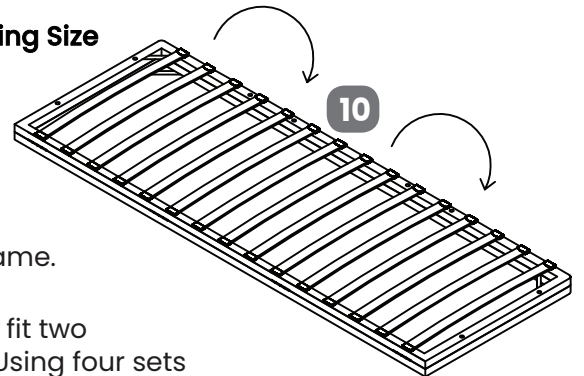
Lift and turn bed on its side and with assistant holding bed upright for safety, attach fabric base cover (4) using the velcro tape, to bottom of side-rails, headboard & footboard. Make sure fabric is fixed evenly all round.

Step 6:

B	Spring Washer for M8 bolts		4 pcs	D	Bolts (M8x20mm)		4 pcs
C	Flat Washer for M8 bolts		4 pcs	H	Allen key for M8 bolts		1 pc
				P	Metal connection plate		2 pcs

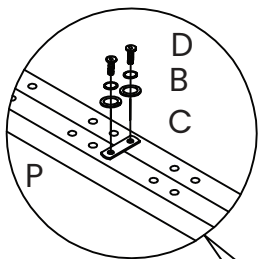


Double or King Size

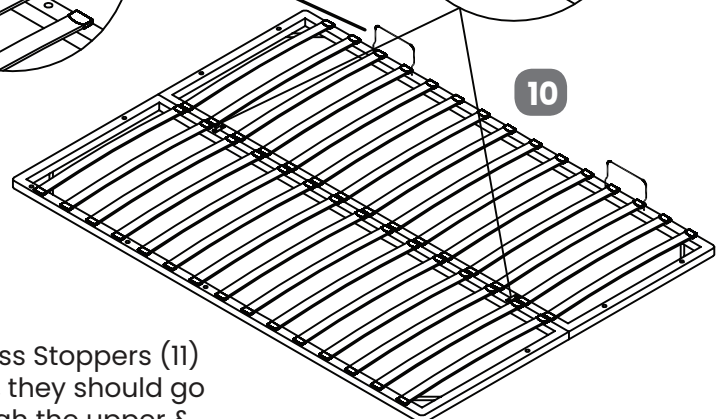
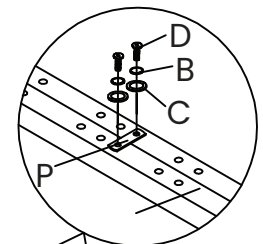
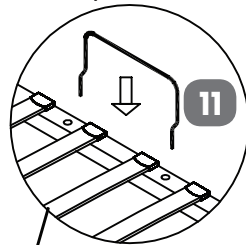
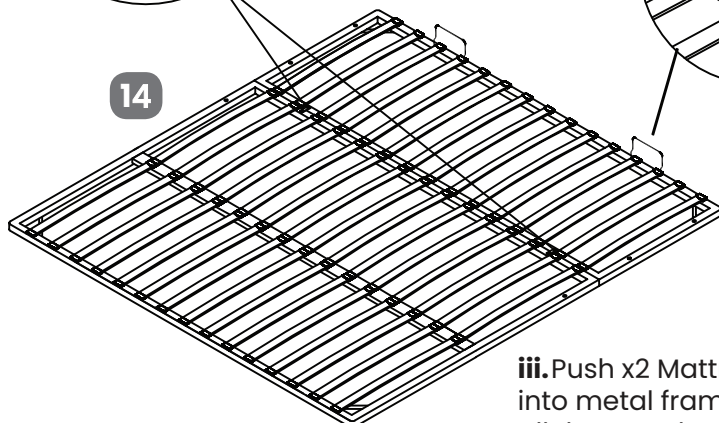


i. Carefully open the frame.

ii. To top of slat frame, fit two connection plates (P). Using four sets of bolts (D), spring washers (B) & flat washers (C), screw into the threaded inserts on top of the frame.

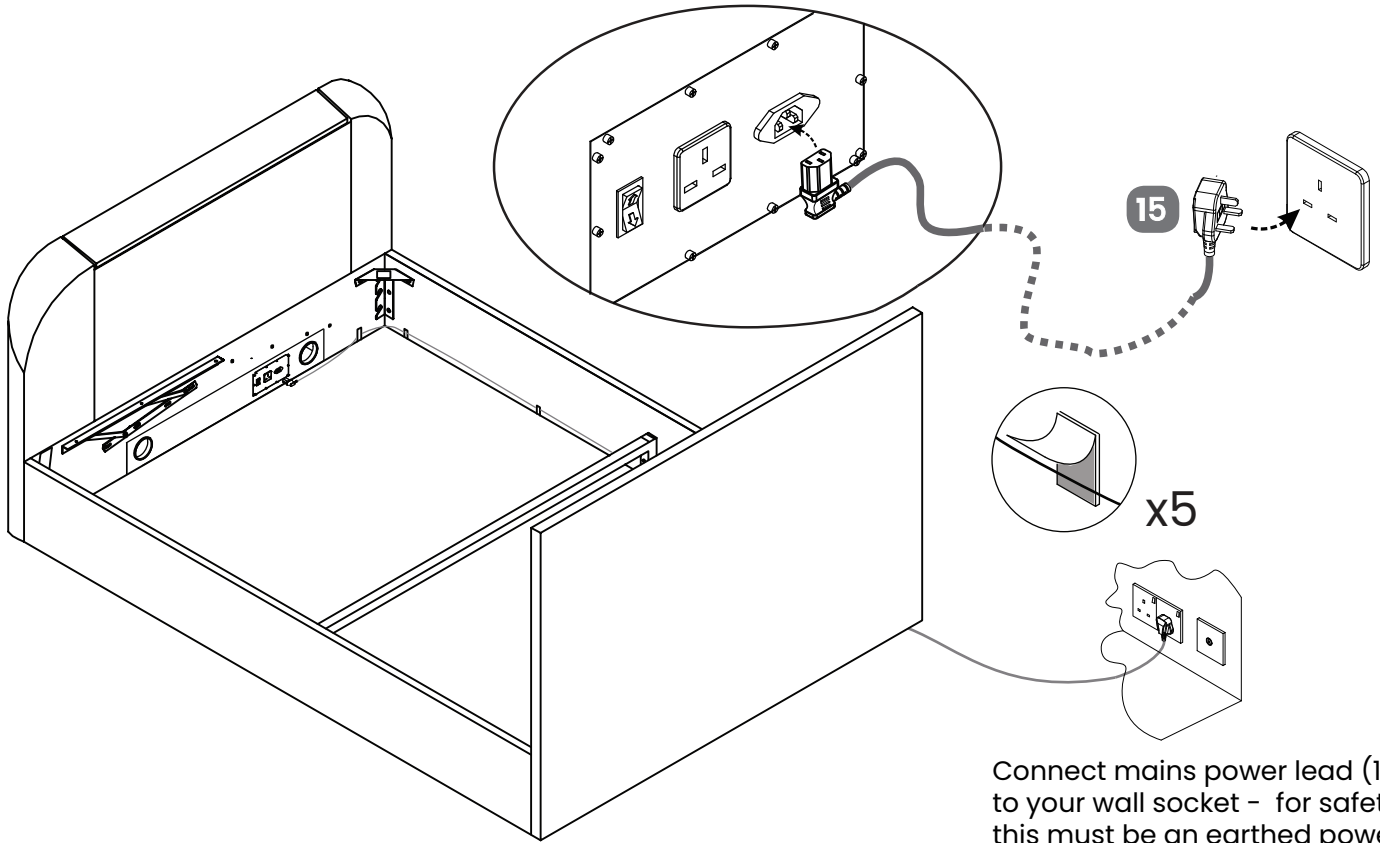


Super King Size



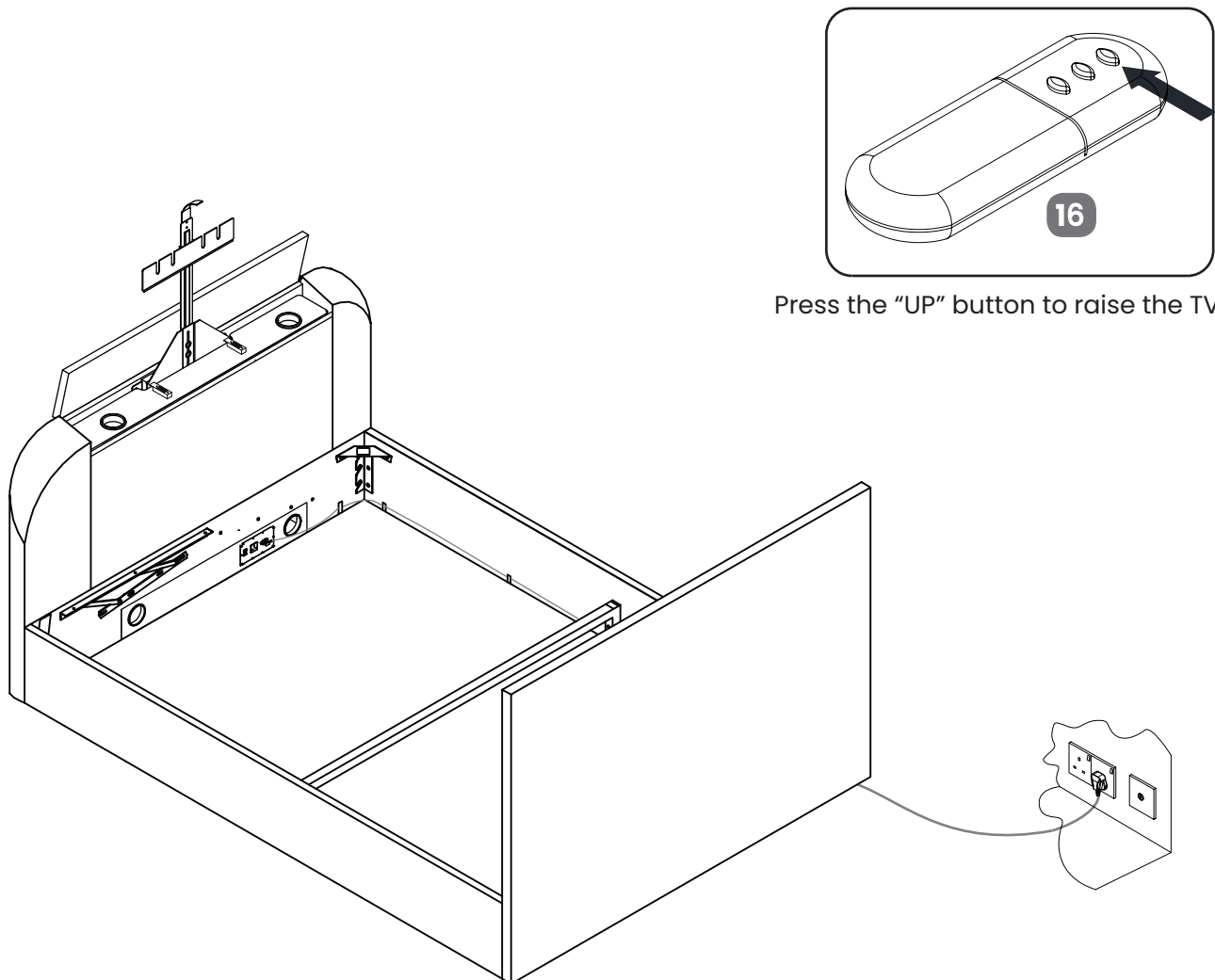
iii. Push x2 Mattress Stoppers (11) into metal frame, they should go all the way through the upper & lower metal sections.

Step 7:



Connect mains power lead (15) to your wall socket - for safety this must be an earthed power supply.

Step 8:



Press the "UP" button to raise the TV lift.

Step 9:

Note: For illustration purposes only, TV connections may vary.

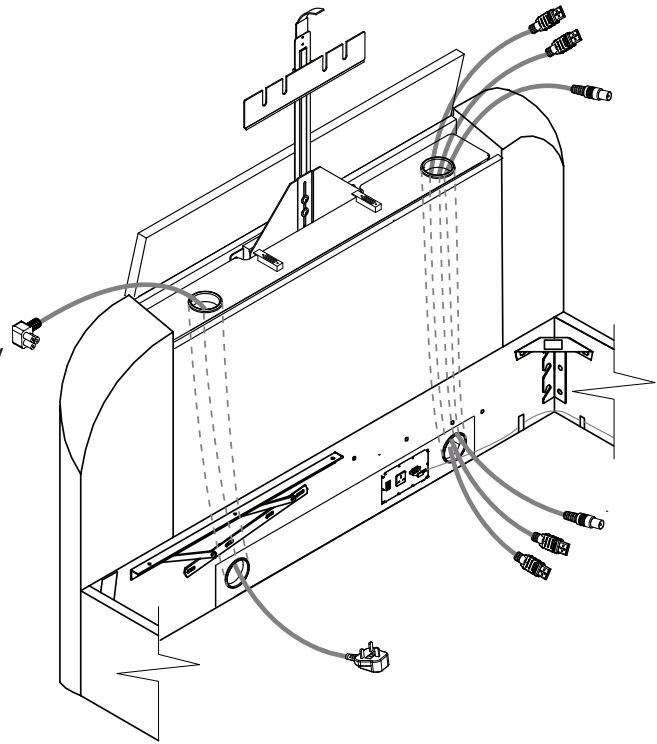
Media Cable are not supplied

Tip:

Before fitting the TV, push cables through each duct from the top choosing the best side to use depending on where the connection ports are on back of your TV.

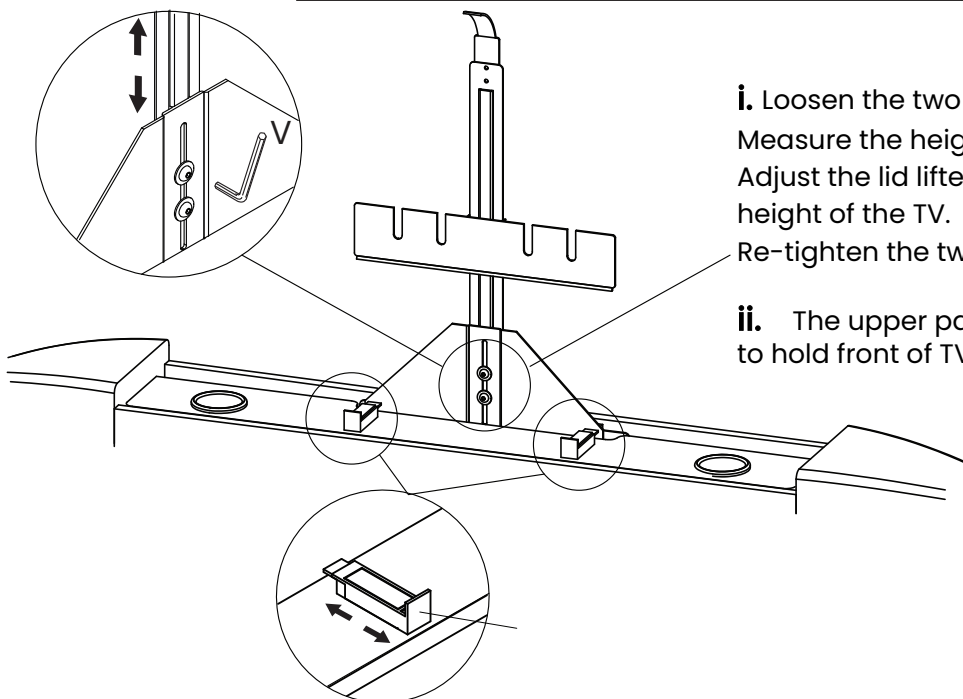
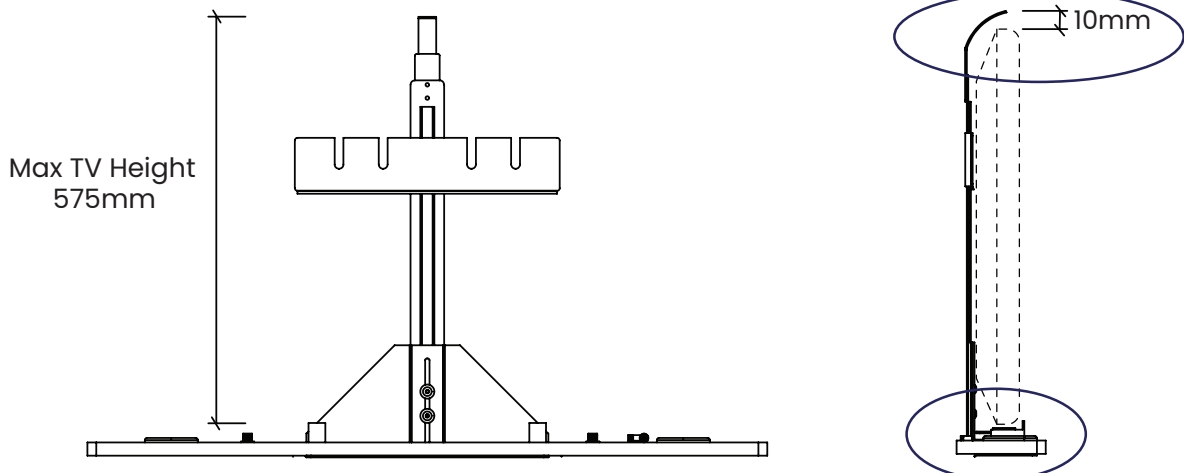
Never cross cables from one side of the footboard to the other unless cable is threaded under the TV supports, in front of the TV Lift.

TV Power Lead supplied with your TV



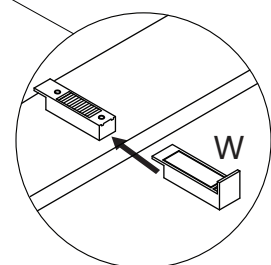
Step 10:

Height of TV is normally pre-set - follow this guide if it needs to be changed.



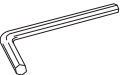
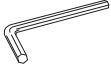
- i.** Loosen the two bolts.
Measure the height of the TV.
Adjust the lid lifter column adding 10mm to height of the TV.
Re-tighten the two bolts.

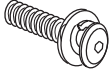
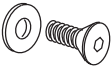
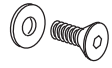
- ii.** The upper part of each TV support slides to hold front of TV in place, see step 12.

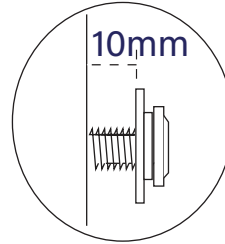
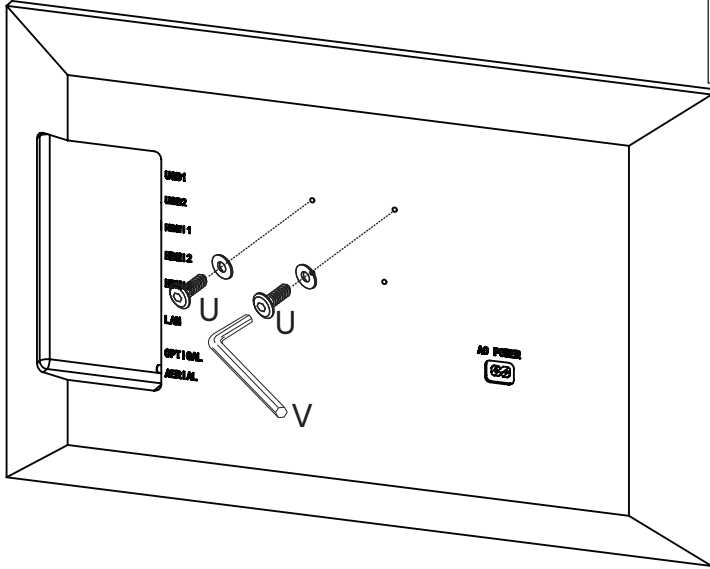


Step 11:

If your TV is supplied with Vesa bolts, please use those in preference to our selection.

V	Allen key (4mm)		1 pc
	Allen key (2.5mm)		1 pc

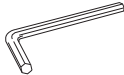
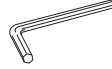
U	Bolt set M8 x 25mm		2 pcs
	Counter-sunk screw set (M6x12mm)		2 pcs
	Counter-sunk screw set (M4x12mm)		2 pcs

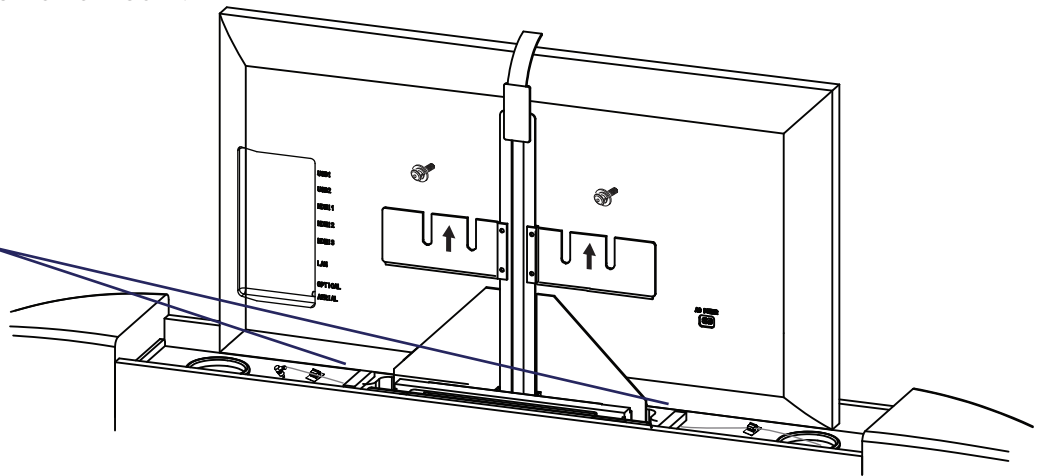
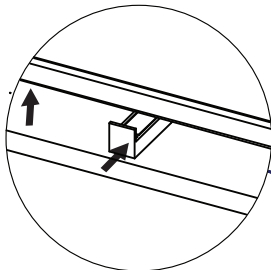
**Step 12:**

i. Stand TV vertically in position.

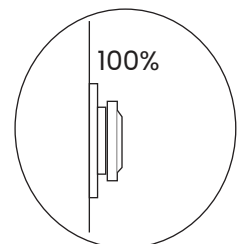
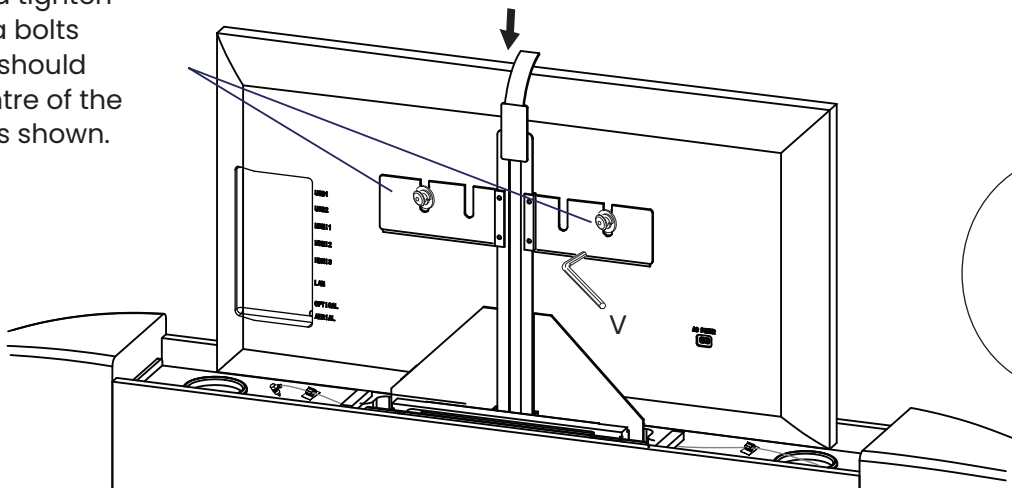
Each slider (W) should be set to just touch the front bezel.

To make sliding each support easier, lift respective end of the TV a small amount.

V	Allen key (4mm)		1 pc
	Allen key (2.5mm)		1 pc



ii. Once set, lightly push down on top of centre of the TV and tighten the two Vesa bolts 100%, these should be in the centre of the long holes as shown.

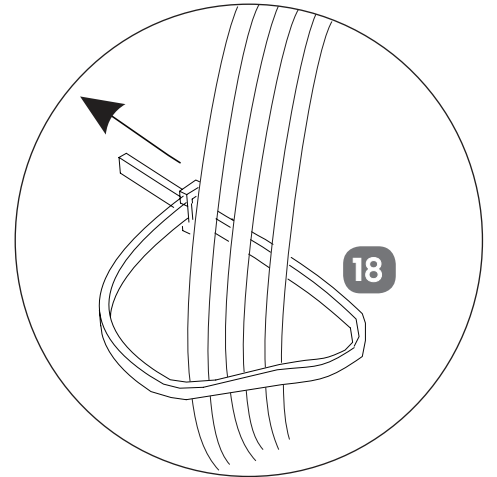
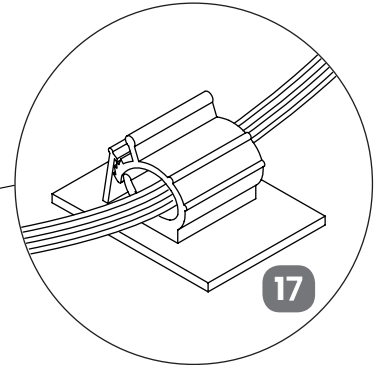
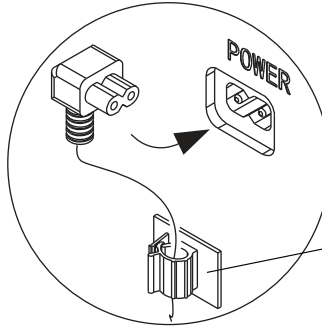
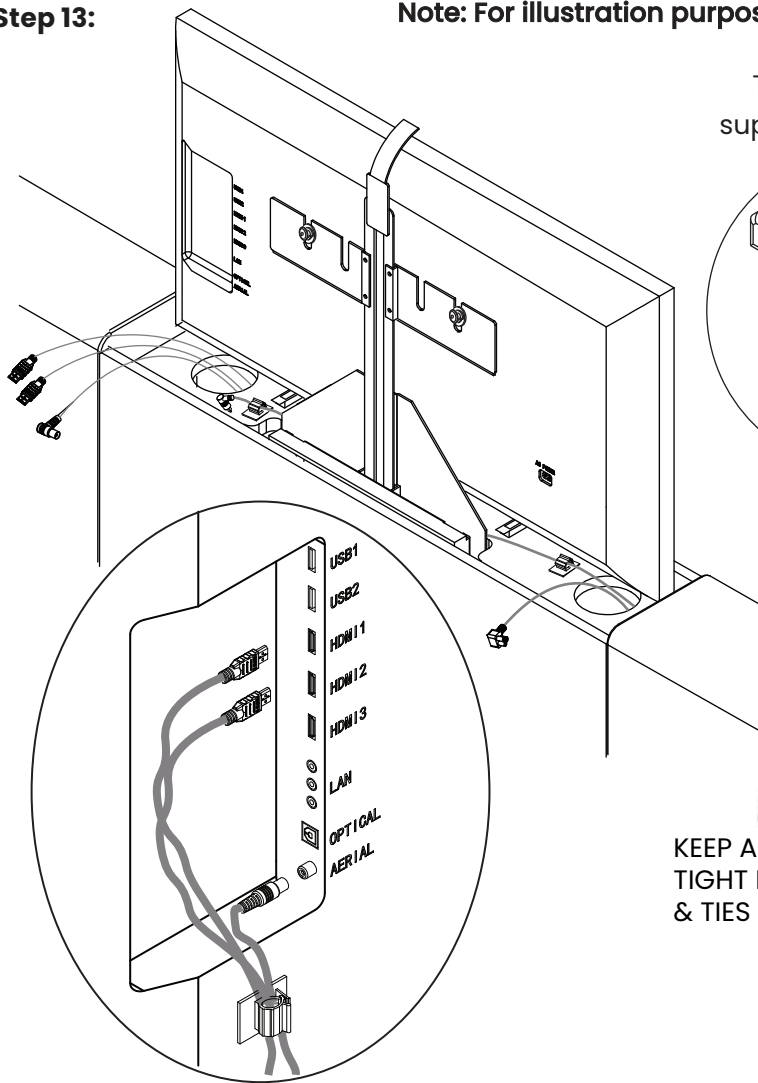


Step 13:

Note: For illustration purposes only, TV connections may vary.

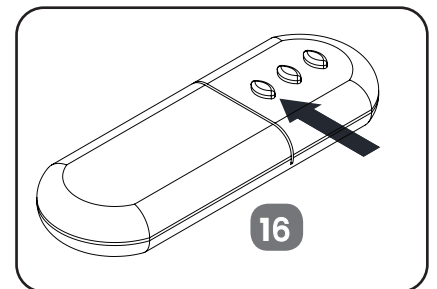
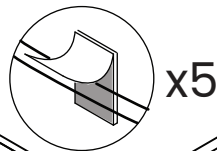
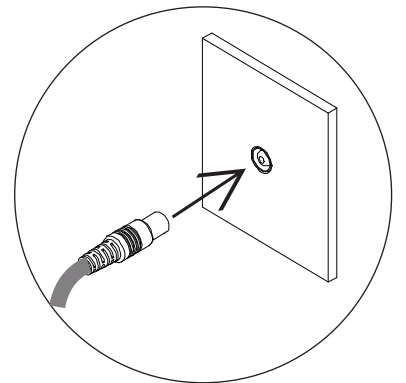
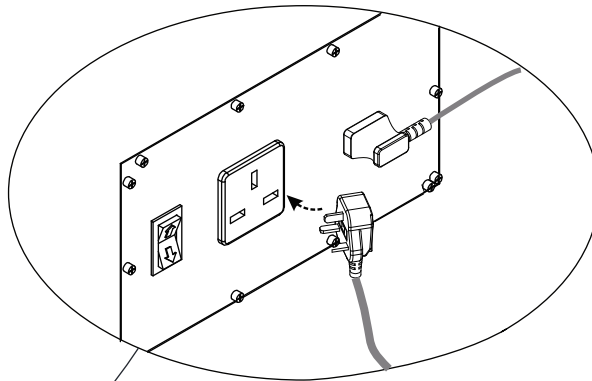
TV Power Lead
supplied with your TV

Keep all leads tight, peel
off cover from cable clips
& adhere to back of TV.

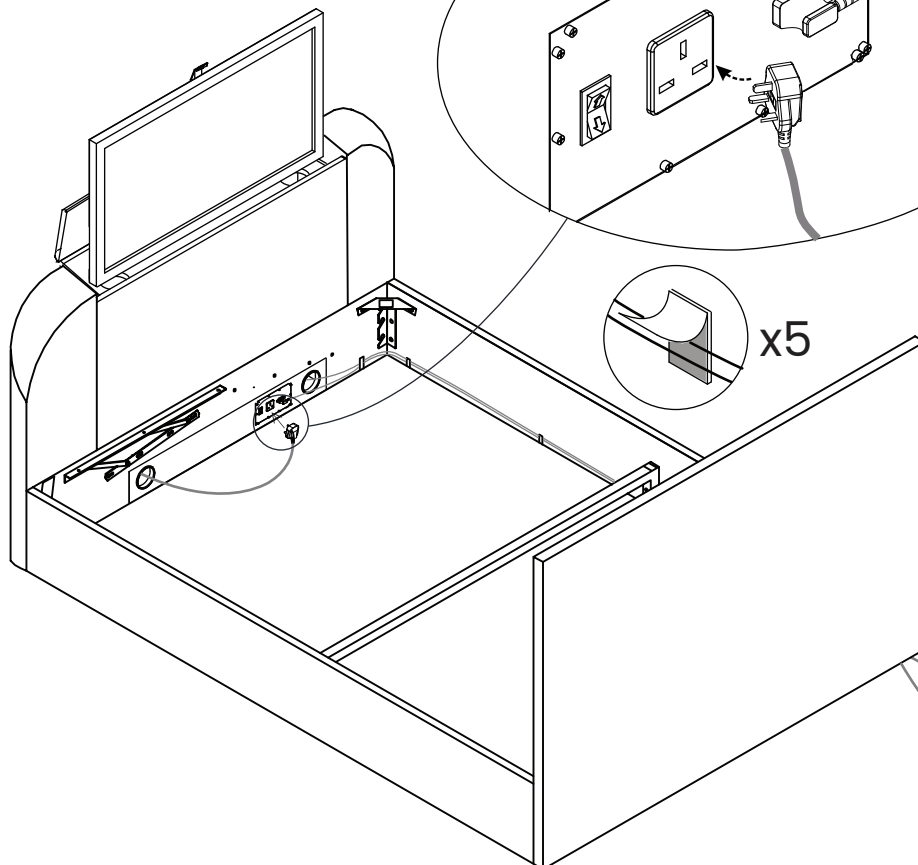


KEEP ALL CABLES
TIGHT BY USING CLIPS
& TIES PROVIDED.

Step 14:








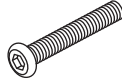
Press the "DOWN" button
to lower the TV lift.



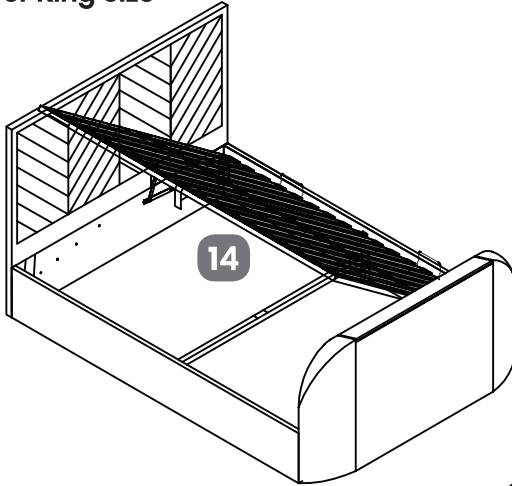
Step 15a:

Note: Please choose which side of the slat frame to lift up to reach into the storage area then, depending on your purchase, please use this hardware for the Double, King or Super King size bed: (15a) lift from LEFT OR (15b) LIFT FROM RIGHT.

B	Spring Washer for M8 bolts		6 pcs
C	Flat Washer for M8 bolts		12 pcs
H	Allen Key for M8 bolts		1 pc

Q	Flanged M8 lock-nuts for gas-lift piston		6 pcs
R	Spanner for flanged M8 lock-nuts		1 pc
S	Bolts (M8x50mm)		6 pcs

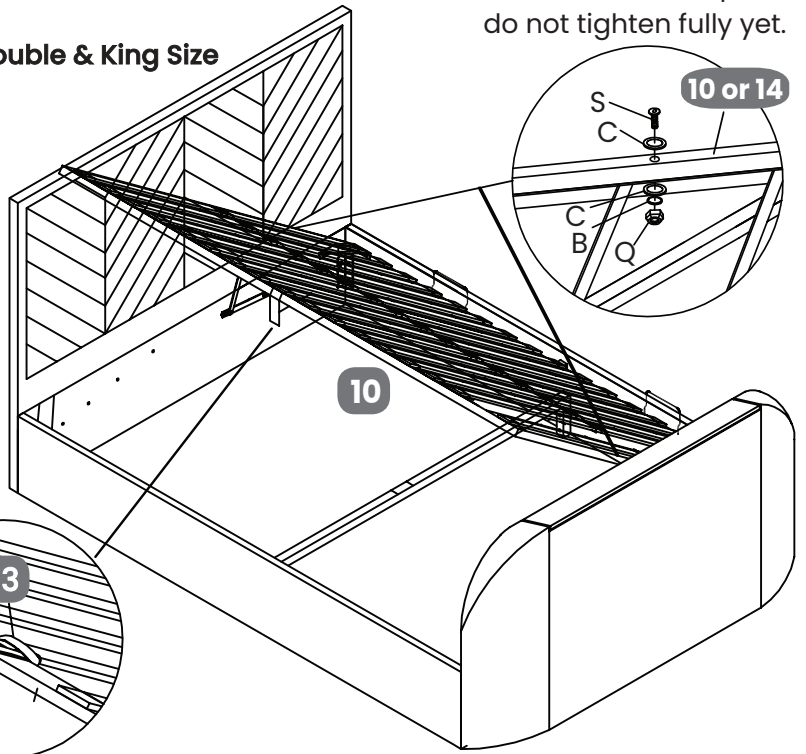
Super King Size



LIFT FROM LEFT SIDE

MAKE SURE MATTRESS STOPPERS AND HAND STRAP ARE ON THE CORRECT SIDES AS SHOWN

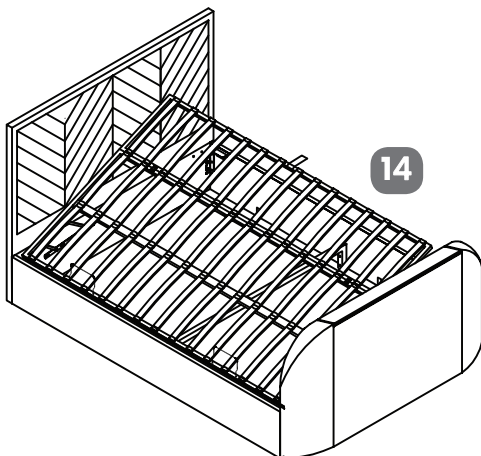
Double & King Size



Fit the bolt sets but please do not tighten fully yet.

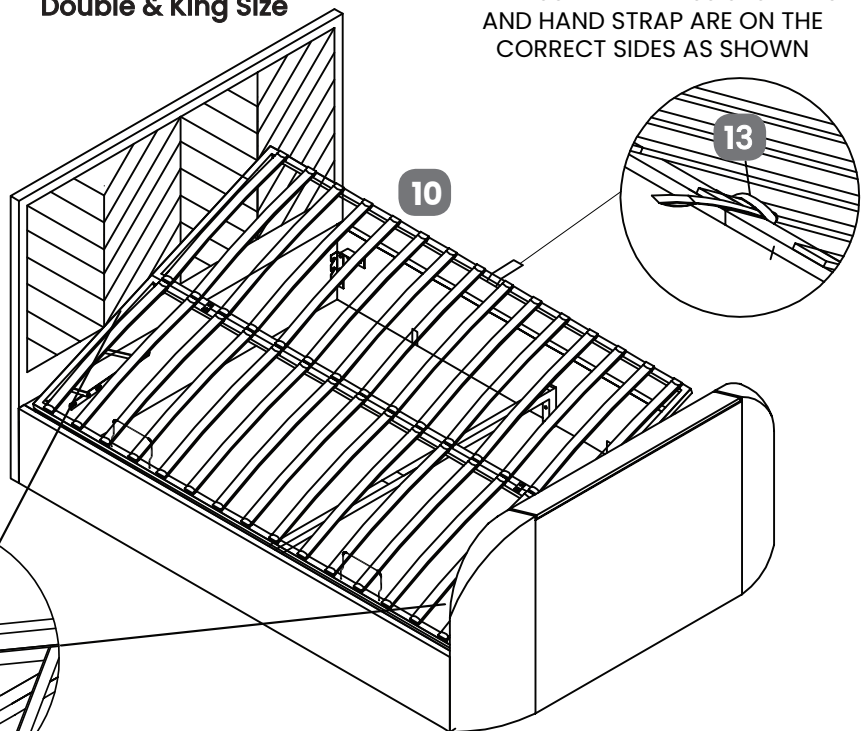
Step 15b:

Super King Size



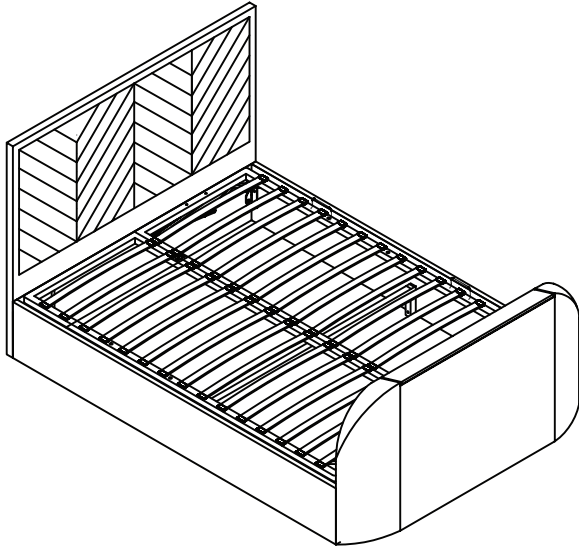
LIFT FROM RIGHT SIDE
MAKE SURE MATTRESS STOPPERS AND HAND STRAP ARE ON THE CORRECT SIDES AS SHOWN



Double & King Size



Fit the bolt sets but please do not tighten fully yet.

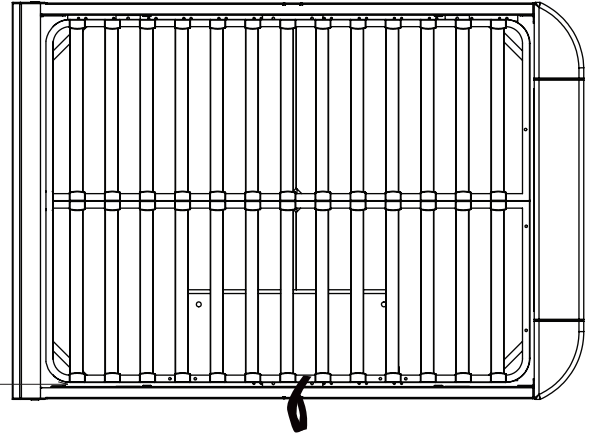
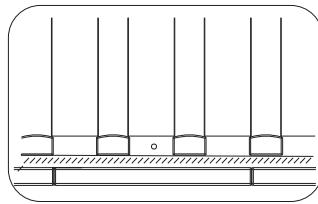
Step 16:



H	Allen Key for M8 bolts		1 pc
R	Spanner for flanged M8 lock-nuts		1 pc

Carefully lay frame down. Make sure there is an even gap each side of about 8mm, as in the sketch.

Hold frame securely then tighten all six bolt sets 100% using spanner (R) & Allen key (H).



Step 17:

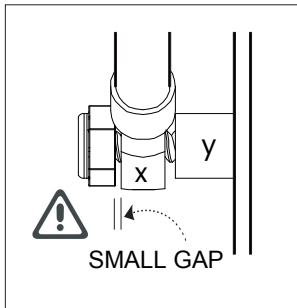
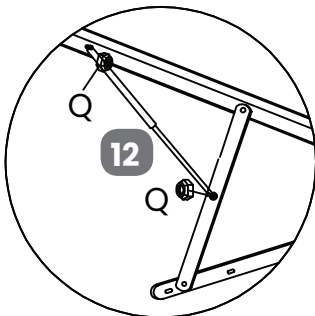
Q	Flanged M8 lock-nuts		4 pcs	R	Spanner for lock-nuts		1 pc
---	----------------------	---	-------	---	-----------------------	---	------

Please read warnings carefully

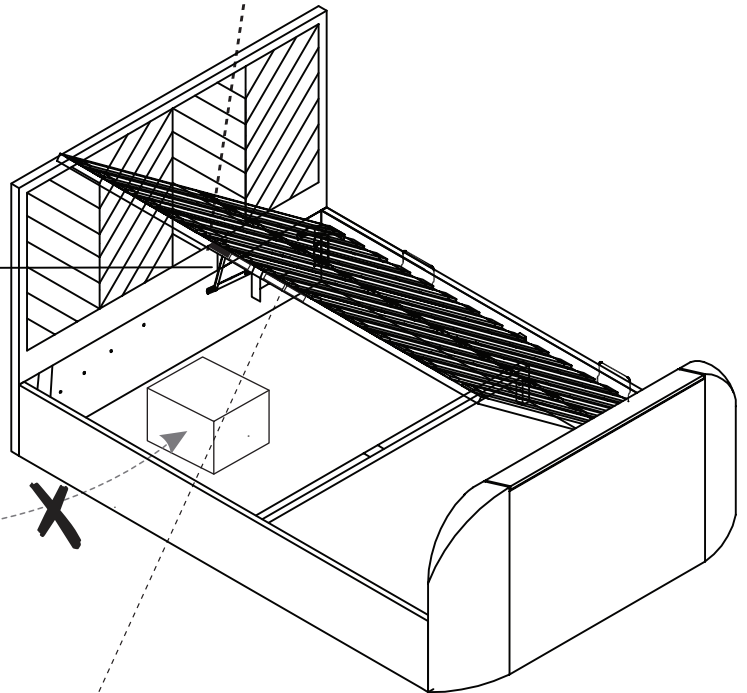
Fit the pistons (12) sliding the stems (x) over the axles (y). Tighten lock nuts (Q) with spanner (R) but please DO NOT over-tighten, a small gap needs to be left so stems can move freely - if too tight the frame will be hard to lift so this is important.

WARNING: ONLY USE THE HANDLE TO LIFT & LOWER THE BED FRAME TO AVOID TRAPPING FINGERS!

TO AVOID ACCIDENTS
TO ACCESS THE STORAGE AREA THE OTTOMAN FRAME **MUST BE FULLY OPENED** AND THEN **FULLY CLOSED** AFTERWARDS



Note: Be very careful what you store under the bed - the top of an item, like a box or a suitcase, must not touch the slats or they may be damaged. Maximum storage height is 240mm.



SAFETY WARNING
PLEASE DO NOT ALLOW CHILDREN OR PETS INSIDE THE STORAGE AREA.

SAFETY WARNING
PLEASE BE CAREFUL WHEN LIFTING. ONLY LIFT WITH MATTRESS ON TOP. TO BE OPERATED BY ADULTS ONLY.

Important for Ottoman and other gas lift beds

Please follow these final steps to ensure the best experience with your new bed

- Please ensure the pistons are fitted to the bed frame.
- Please place the mattress on top of the bed frame.
- Standing at the foot of the frame (looking at the headboard) open the base and the press quite forcefully down on the mattress - please do not attempt to do this without the mattress being in place.
- Please do not pull on the strap handles.
- Please note as the pistons are full of gas - you will need to press heavily to release the compressed gas.
- Once done the pistons should start operating as normal.



Please dispose of all packaging safely.

General Care & Maintenance

Wipe clean with a slightly damp cloth.
Avoid the use of all household cleaners and abrasives.

Periodically check all screw & fixings to ensure they are secure.

When moving your product, carefully lift into place. Never drag or push the product across the floor as this will cause damage to the joints. If the product is used on hard flooring, such as wood or laminated floor, you must place some protection under the legs to stop the product from moving. If this is not adhered to, it could result in failure to the product that will invalidate the warranty.

For more information on cleaning and product care visit:
<https://www.happybeds.co.uk/help-and-advice>

Notes

In the unlikely event that you have problems putting this product together or have damaged or missing parts, please contact us by visiting:
<https://www.happybeds.co.uk/customer-service>