

## Assembly Instructions

### Important before assembly:

Read these instructions carefully before assembling or using the product.

Please check the contents of the boxes before attempting to assemble this product. The instructions will have a checklist of parts and fittings.

Assemble the product as close to its intended final location/room as possible.

### Health & Safety:

This product or some parts of this product will be heavy. Please use an assistant when lifting.

Please keep small parts out of reach of children.

Always use on a level, even surface.

DO NOT jump on the product or any of its parts.

DO NOT use this product if any parts are missing, damaged or worn.

DO NOT use this product unless all fixings are secured.

**Further instructions are on the following pages.**

Please keep these instructions for future reference.



This product or some parts of this product will be heavy. Please use an assistant when lifting.



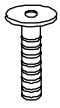
Never drag or push the pieces across a hard or stone floor as this will cause damage to the joints. Use a carpet or a rug for extra care.



If you have problems assembling or have damaged or missing pieces, please contact our customer services (details at the back of these instructions)

# HARDWARE

A



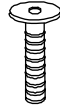
M8 x 25mm (12 PCS)

B



NUT (2 PCS)

C



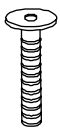
M6 x 30mm (6 PCS)

D



M6 x 15mm (12 PCS)

E



M6 x 68mm (2 PCS)

F



FLAT WASHER (12 PCS)

G



SPRING WASHER (12 PCS)

H



5mm ALLEN KEY (1 PC)

I



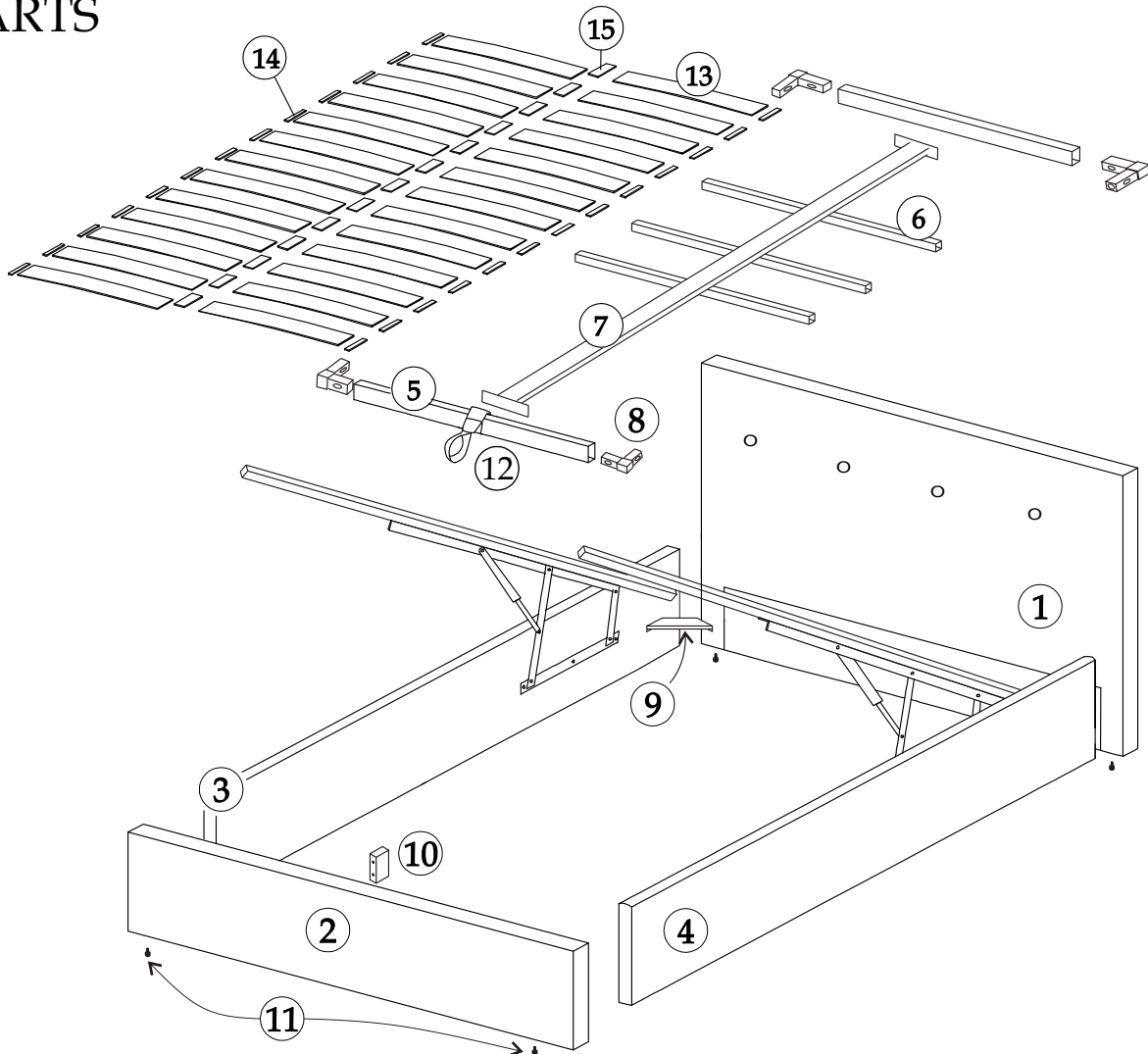
4mm ALLEN KEY (1 PC)

J



SPANNER (1 PC)

# PARTS



# Safety Advise

Please take the time to carefully read through the whole of these instructions before you commence.

Keep these instructions for future reference.

Unpack, inspect and check off all of the contents.

Please dispose of all packaging safely.

Small component part could choke a child if swallowed.

We strongly recommend that you keep children well away from the work area.

It would be sensible to lay a sheet or blanket on the floor where you intend to work to avoid scratching this product and to protect your floor.

This product is heavy. Take extreme care when lifting to avoid personal injury or damage to the product.

Assemble the product as close to its intended final position in the room as possible.

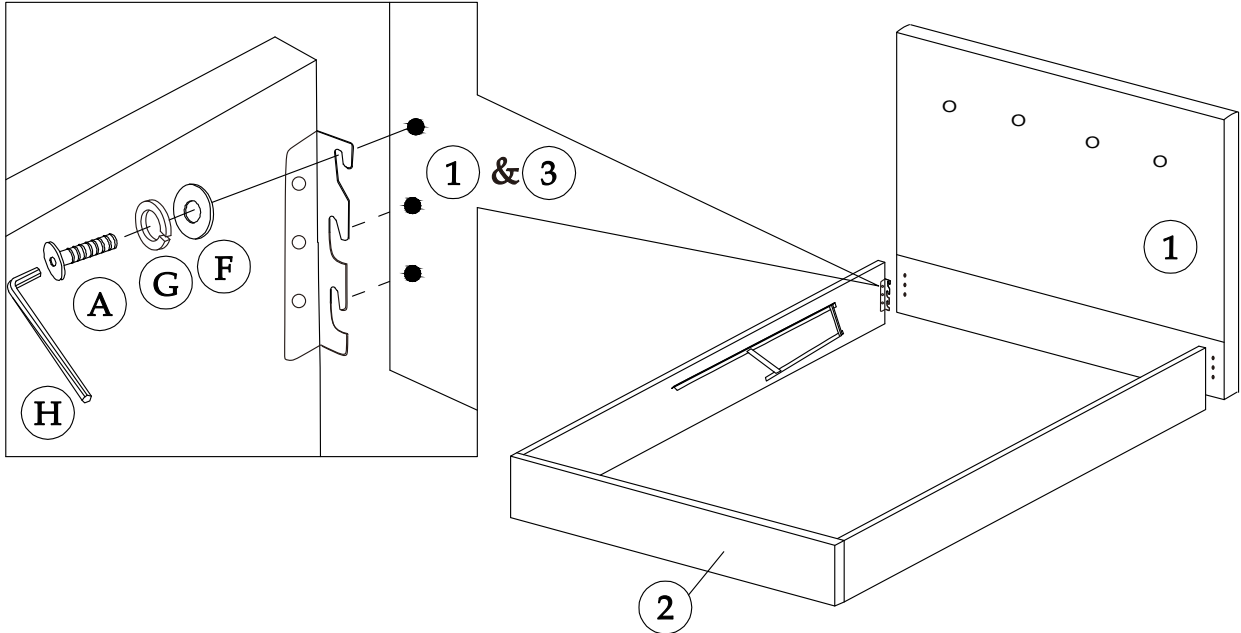
We strongly urge that you do not use Power Tools, Such as drills or electric screwdrivers during this assembly as this could cause irreparable damage to your product and will invalidate the warranty.

**HANDY HINT:** If you keep the hardware in a bowl during assembly you will be less likely to lose them.

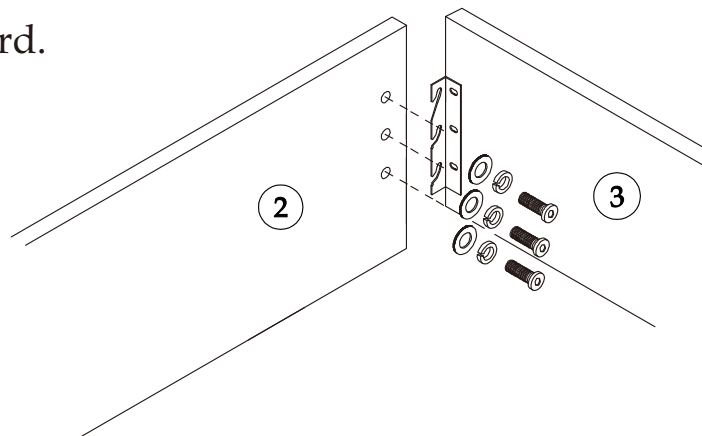
# 1 Attaching side rails to headboard.



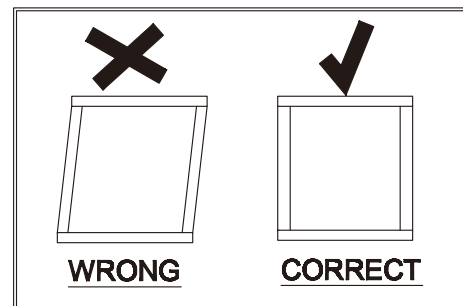
Do Not Use Power Tools



# 2 Repeat step 1 for footboard.



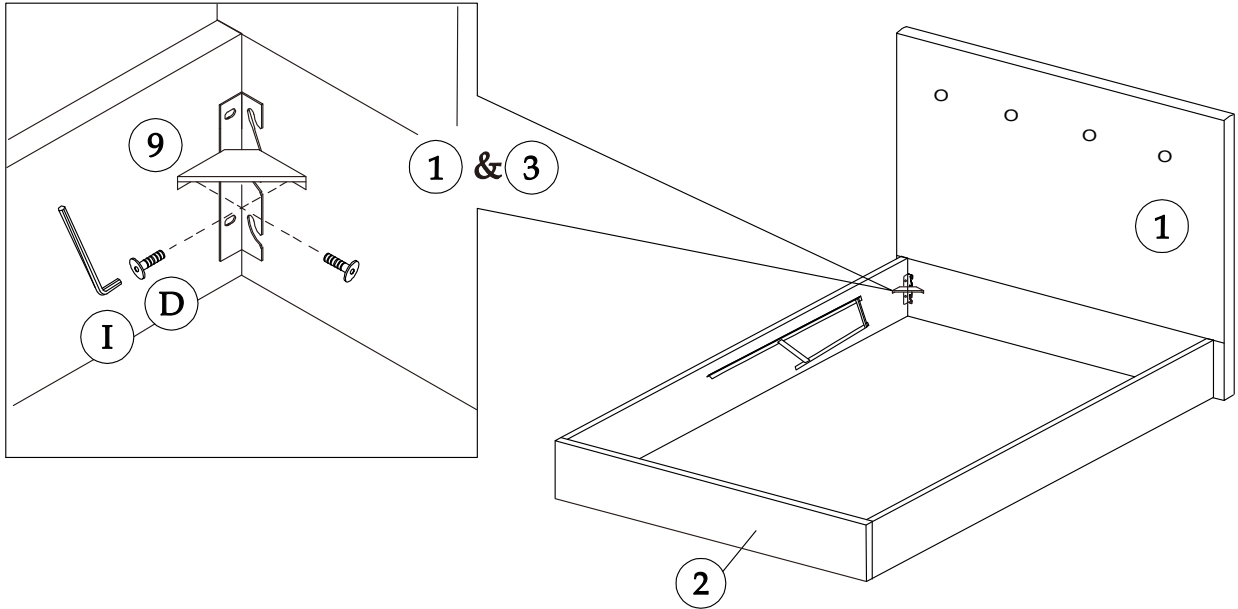
Before tightening the bolts, please ensure the bed frame is square.



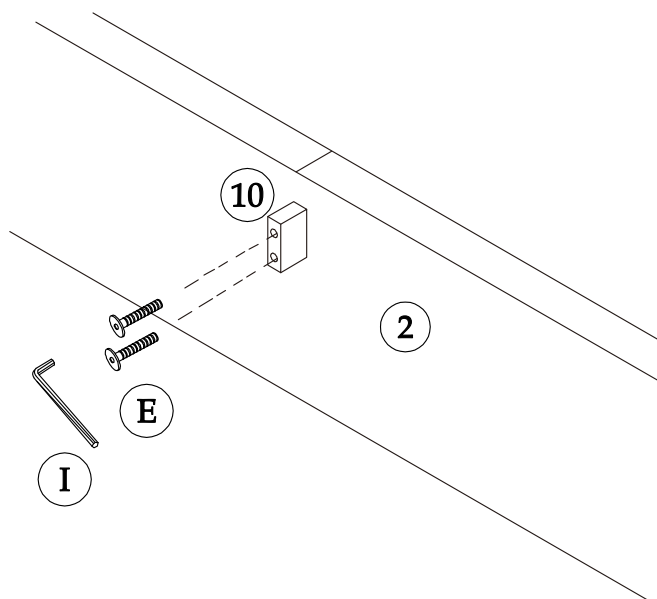
**3** Fix corner brackets, then repeat for other 3 corner brackets in each corner of the bed frame.



Do Not Use Power Tools



**4** Fix holding block on back of footboard



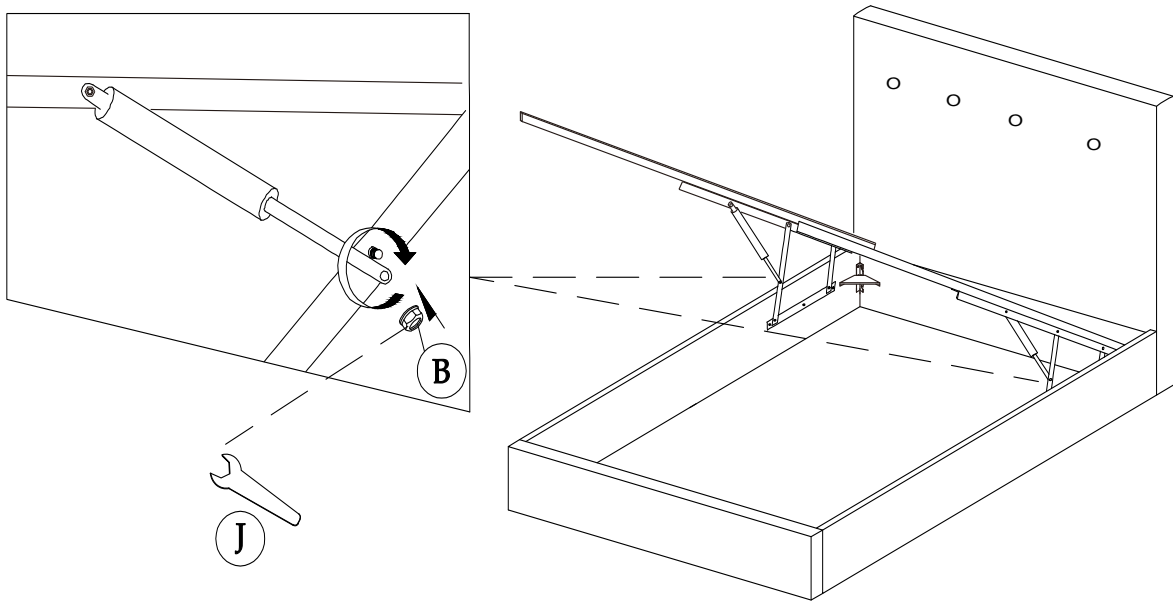
## 5 Secure hydraulic arms

Before connecting the hydraulic arm, ensure the lifting mechanism is functioning correctly - it should lift up and down freely with adequate clearance on all sides.

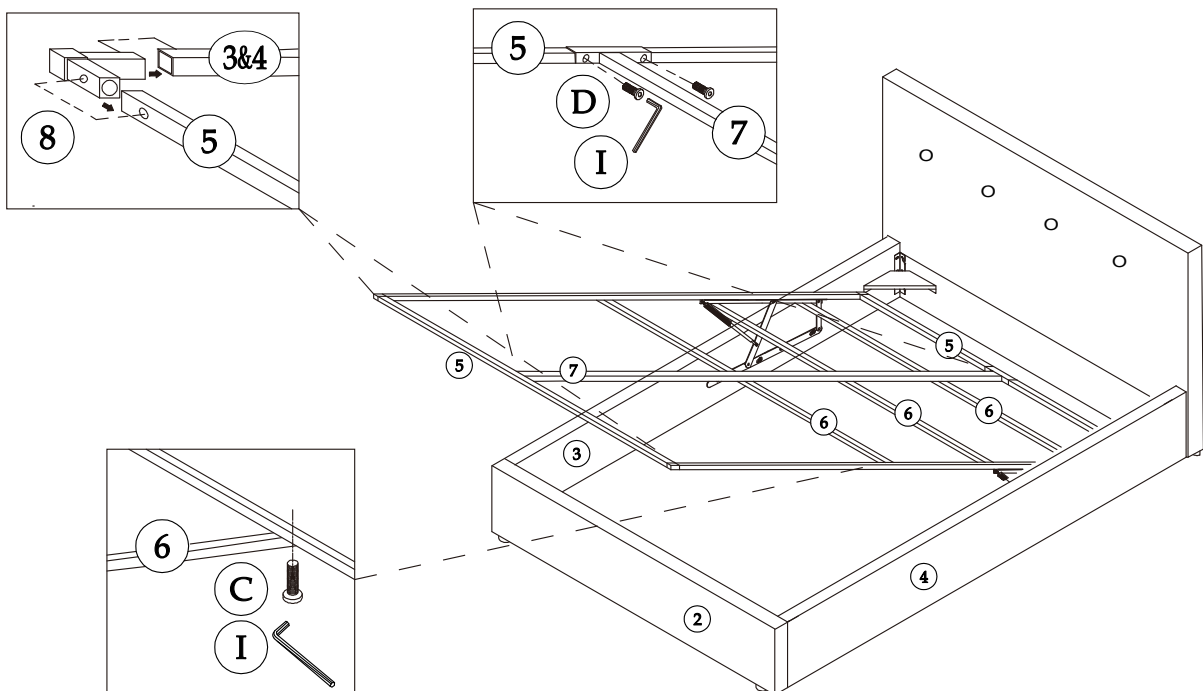


Do Not Use Power Tools

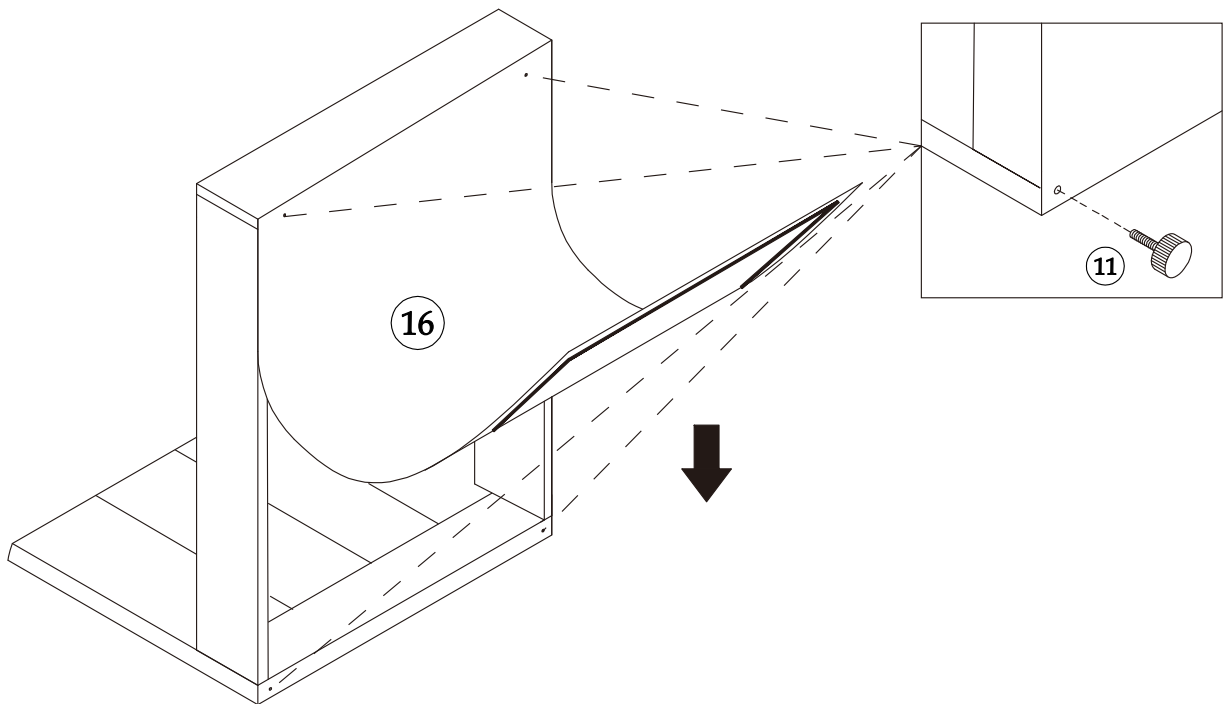
**DO NOT OVERTIGHTEN THE NUTS !**



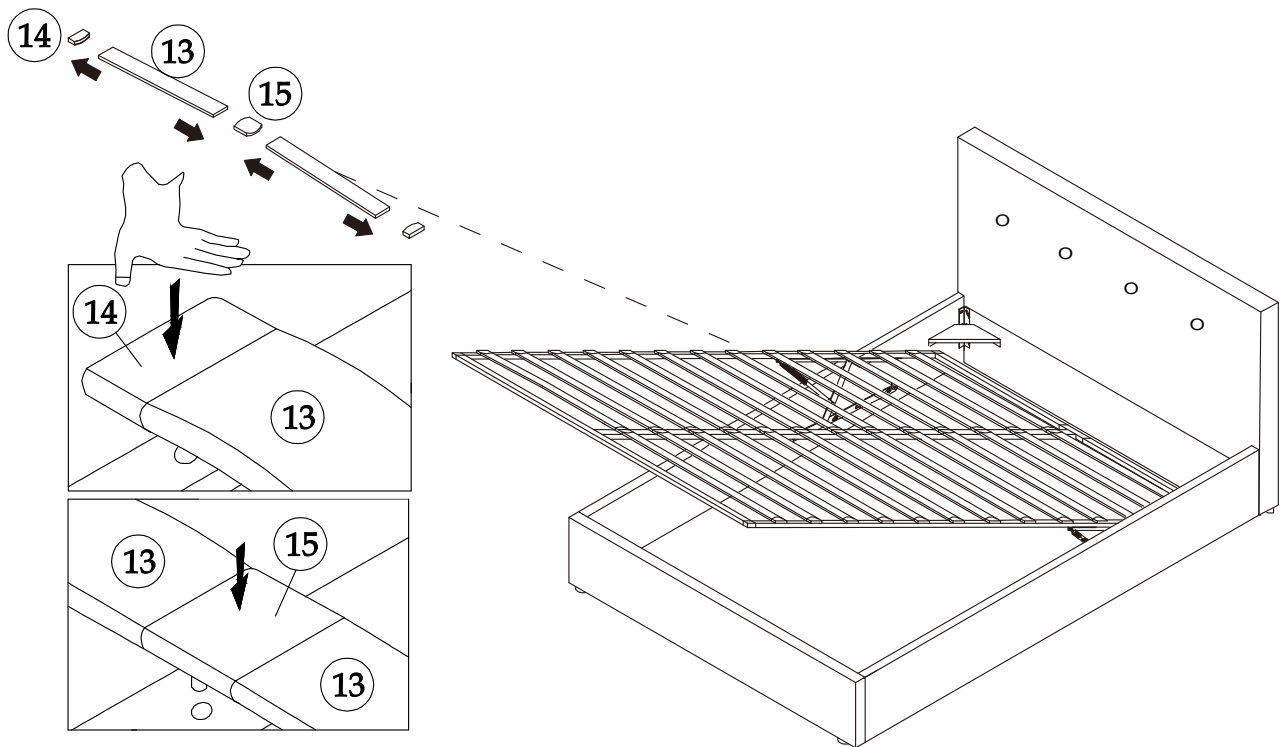
## 6 Assemble the base



# 7 Attach non-woven fabric dust cover first, then adjustable legs.

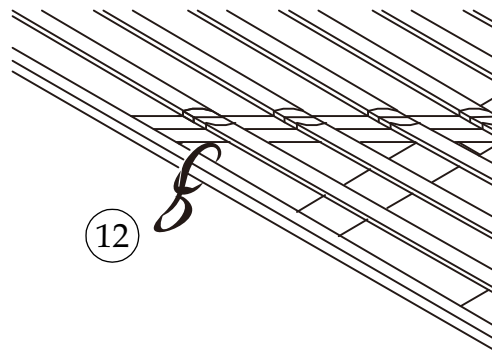


# 8 Assemble slats

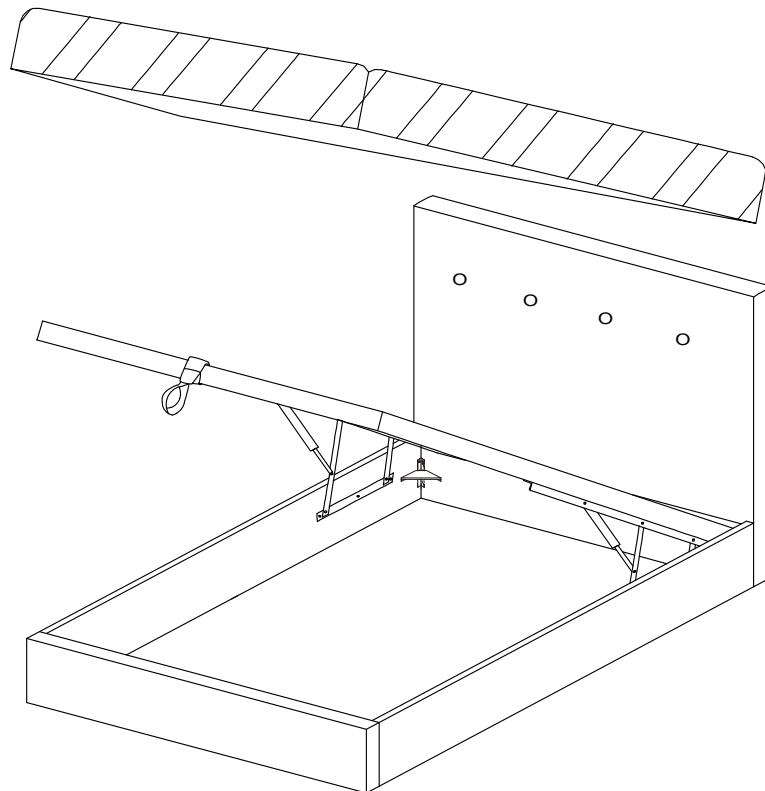




- 9 Attach belt to the metal frame by loop-on method as shown, pull tight after loop-on.



- 10 Place the mattress onto the frame. (MATTRESS NOT INCLUDED)



### Notes:

It is imperative that the bed is aligned squarely to prevent the frame from catching on and damaging the upholstered side rails.

Please use extra caution when opening and closing the bed, ensure a similar spacing on each side of the frame.

## Important for Ottoman and other gas lift beds

**Please follow these final steps to ensure the best experience with your new bed**

- Please ensure the pistons are fitted to the bed frame.
- Please place the mattress on top of the bed frame.
- Standing at the foot of the frame (looking at the headboard) open the base and the press quite forcefully down on the mattress - please do not attempt to do this without the mattress being in place.
- Please do not pull on the strap handles.
- Please note as the pistons are full of gas - you will need to press heavily to release the compressed gas.
- Once done the pistons should start operating as normal.



Please dispose of all packaging safely.

## General Care & Maintenance

Wipe clean with a slightly damp cloth.  
Avoid the use of all household cleaners and abrasives.

Periodically check all screw & fixings to ensure they are secure.

When moving your product, carefully lift into place. Never drag or push the product across the floor as this will cause damage to the joints. If the product is used on hard flooring, such as wood or laminated floor, you must place some protection under the legs to stop the product from moving. If this is not adhered to, it could result in failure to the product that will invalidate the warranty.

For more information on cleaning and product care visit:  
<https://www.happybeds.co.uk/help-and-advice>

## Notes

In the unlikely event that you have problems putting this product together or have damaged or missing parts, please contact us by visiting:  
<https://www.happybeds.co.uk/customer-service>