

Assembly Instructions

Important before assembly:

Read these instructions carefully before assembling or using the product.

Please check the contents of the boxes before attempting to assemble this product. The instructions will have a checklist of parts and fittings.

Assemble the product as close to its intended final location/room as possible.

Health & Safety:

This product or some parts of this product will be heavy. Please use an assistant when lifting.

Please keep small parts out of reach of children.

Always use on a level, even surface.

DO NOT jump on the product or any of its parts.

DO NOT use this product if any parts are missing, damaged or worn.

DO NOT use this product unless all fixings are secured.

Further instructions are on the following pages.

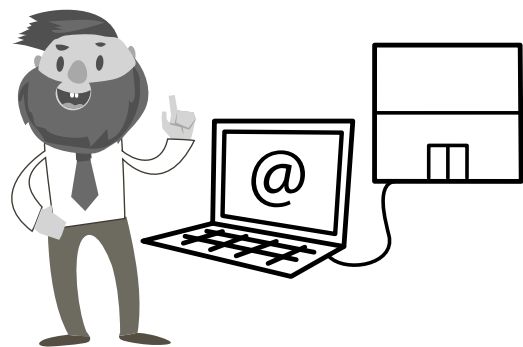
Please keep these instructions for future reference.



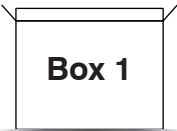
This product or some parts of this product will be heavy. Please use an assistant when lifting.



Never drag or push the pieces across a hard or stone floor as this will cause damage to the joints. Use a carpet or a rug for extra care.

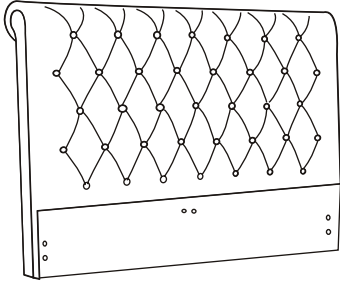


If you have problems assembling or have damaged or missing pieces, please contact our customer services (details at the back of these instructions)

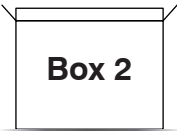


Box 1

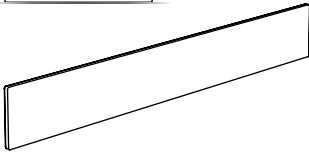
All fittings are stored within the zipped compartment of the headboard.



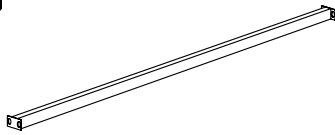
A. Headboard (x1)



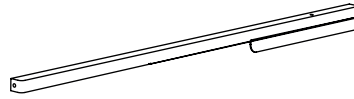
Box 2



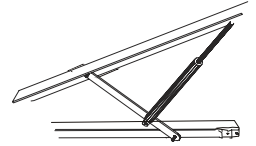
B. Side Rails (x2)



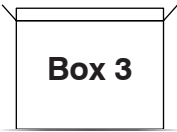
C. Centre Support Rail (x1)



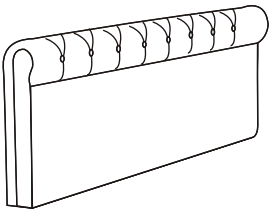
D. Left & Right Frame Rail (x2)



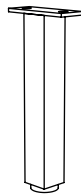
E. Hydraulic Part (x2)



Box 3



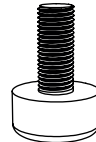
F. Footboard (x1)



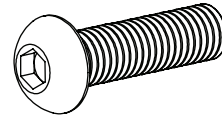
G. Support Leg (x1)



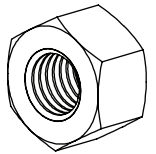
H. Slats (x26)



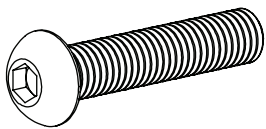
I. Legs (x4)



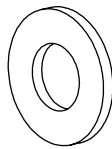
J. M8x30mm Bolts (x8)



K. Nuts (x16)



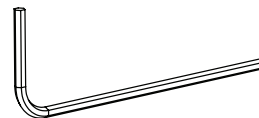
L. M8x45mm Bolts (x18)



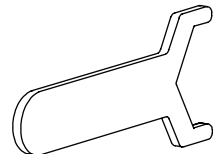
M. Flat Washer (14)



N. Spring Washer (x14)



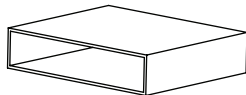
O. M5 Allen Key (x1)



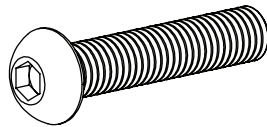
P. Spanner (x1)



Q Slat Caps (x26)



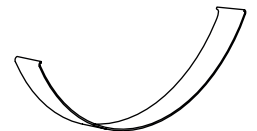
R. Centre Slat Caps (x13)



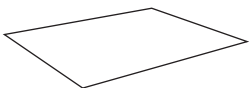
S. M8x40mm Bolts (x4)



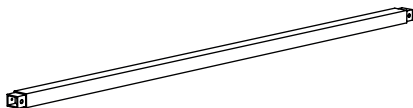
T. Bed Cross Bar (x1)



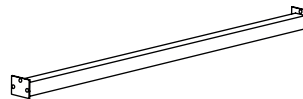
U. Pull Strap (x1)



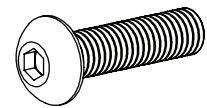
V Woven Fabric (x1)



W. Front and Back Frame Rail (x2)

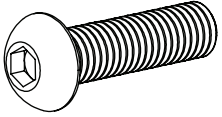


X. Cross Support Bar (x2)

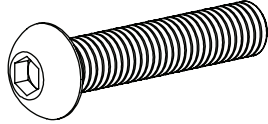


Y M6x16mm Bolts (x2)

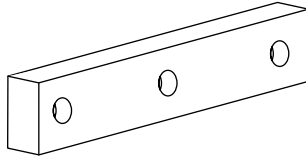
**Box 3
Cont...**



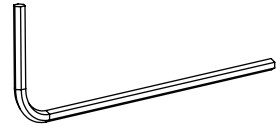
Z. M8x16mm Bolts (x4)



A1. M8x65mm Bolts (x4)



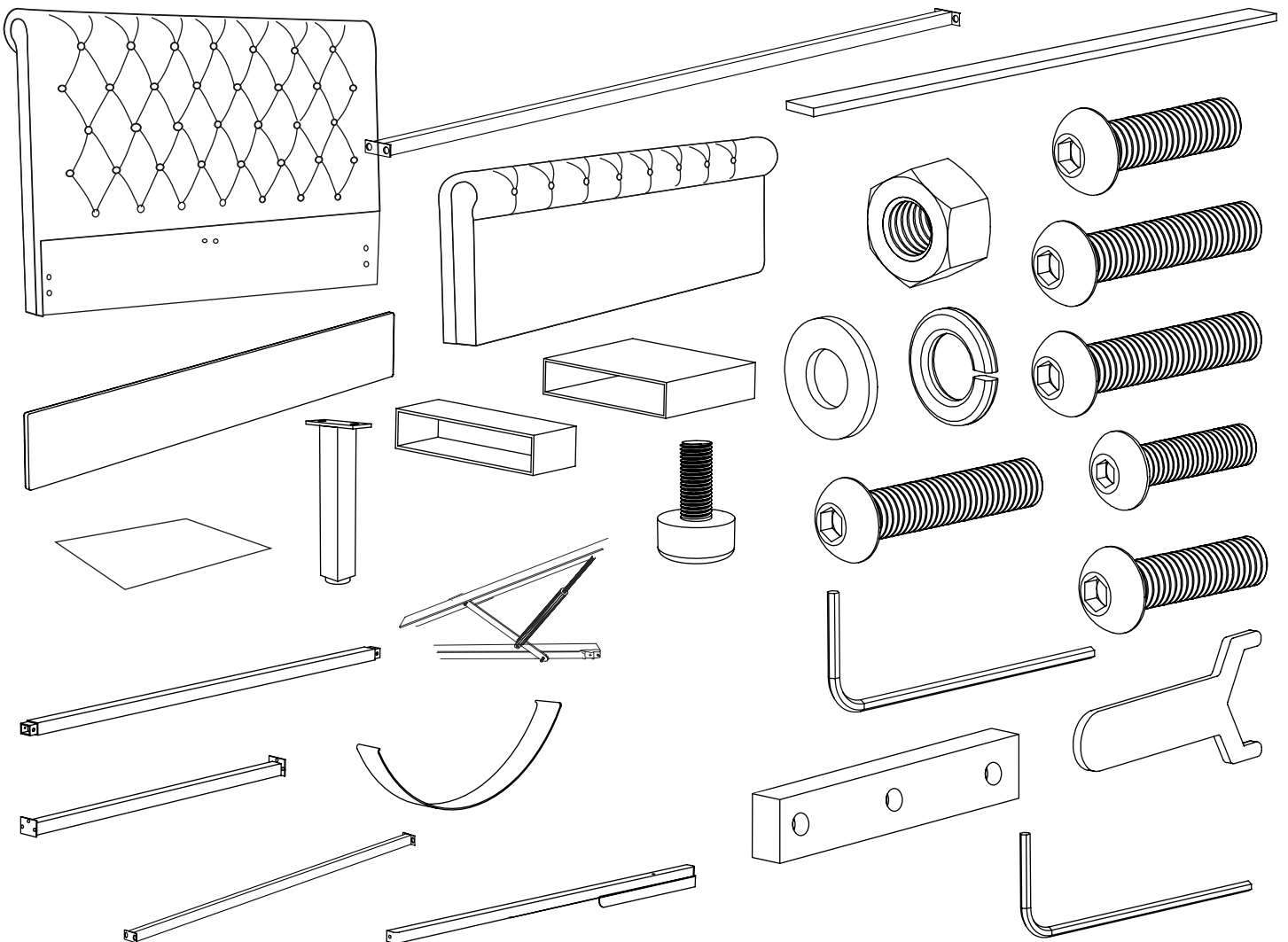
B1. Baton (x2)



C1. M4 Allen Key (x1)

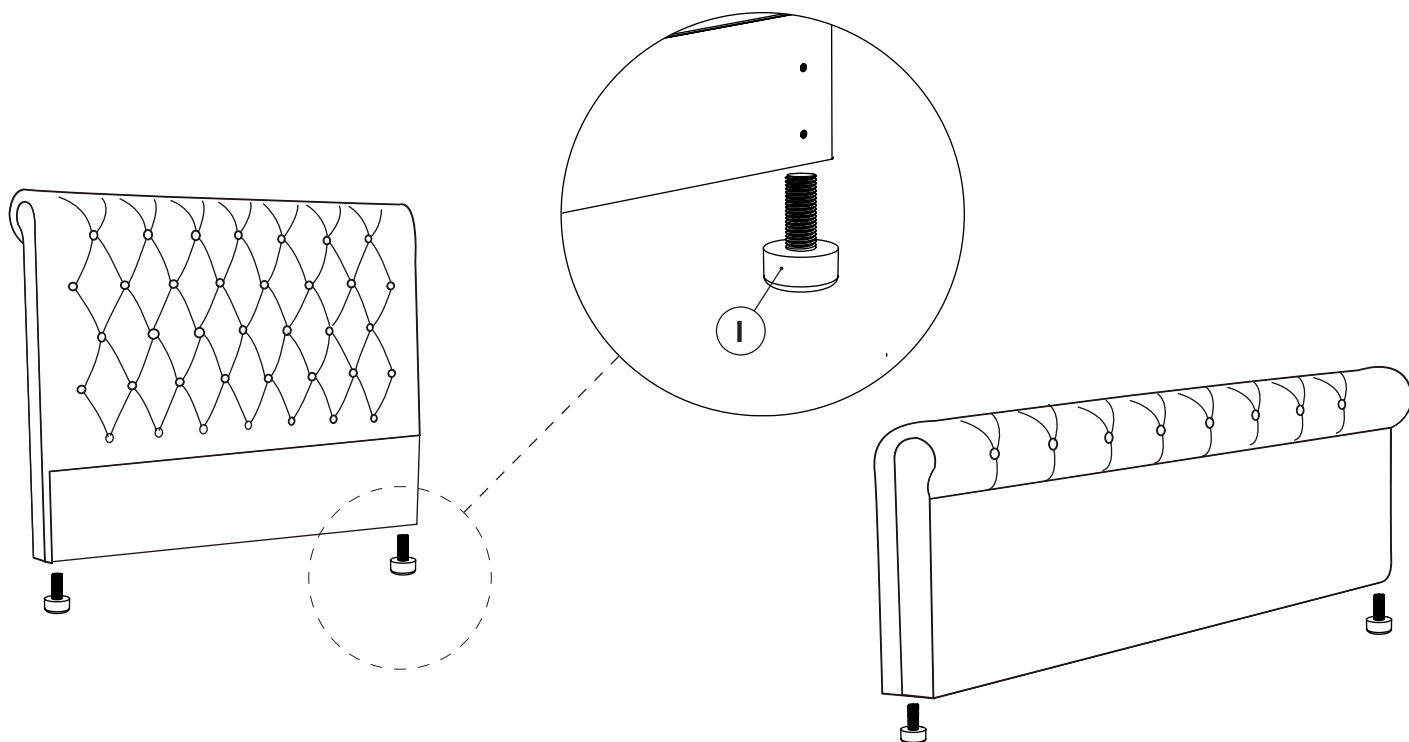
Step 1

Unpack all components from the boxes and check you are not missing anything. Please check these against the list on page 3 & 4. Should you identify any missing components, please contact the retailer you purchased the bed from.



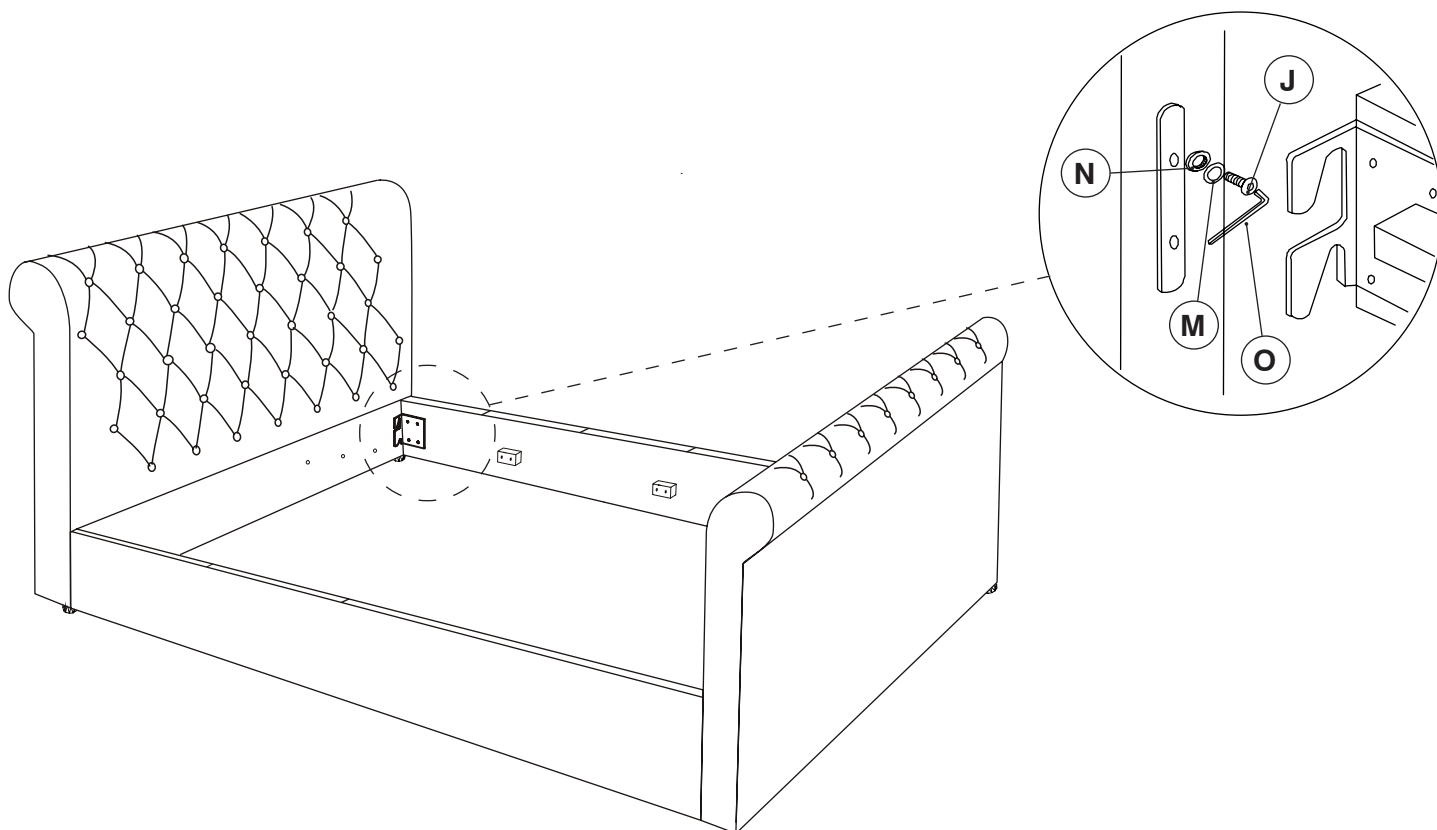
Step 2

Attach 2x Legs (I) to the 1x Headboard (A) and then attach 2x Legs (I) to the 1x Footboard (F). Please do not use any *power tools* for this assembly as it will void your guarantee.



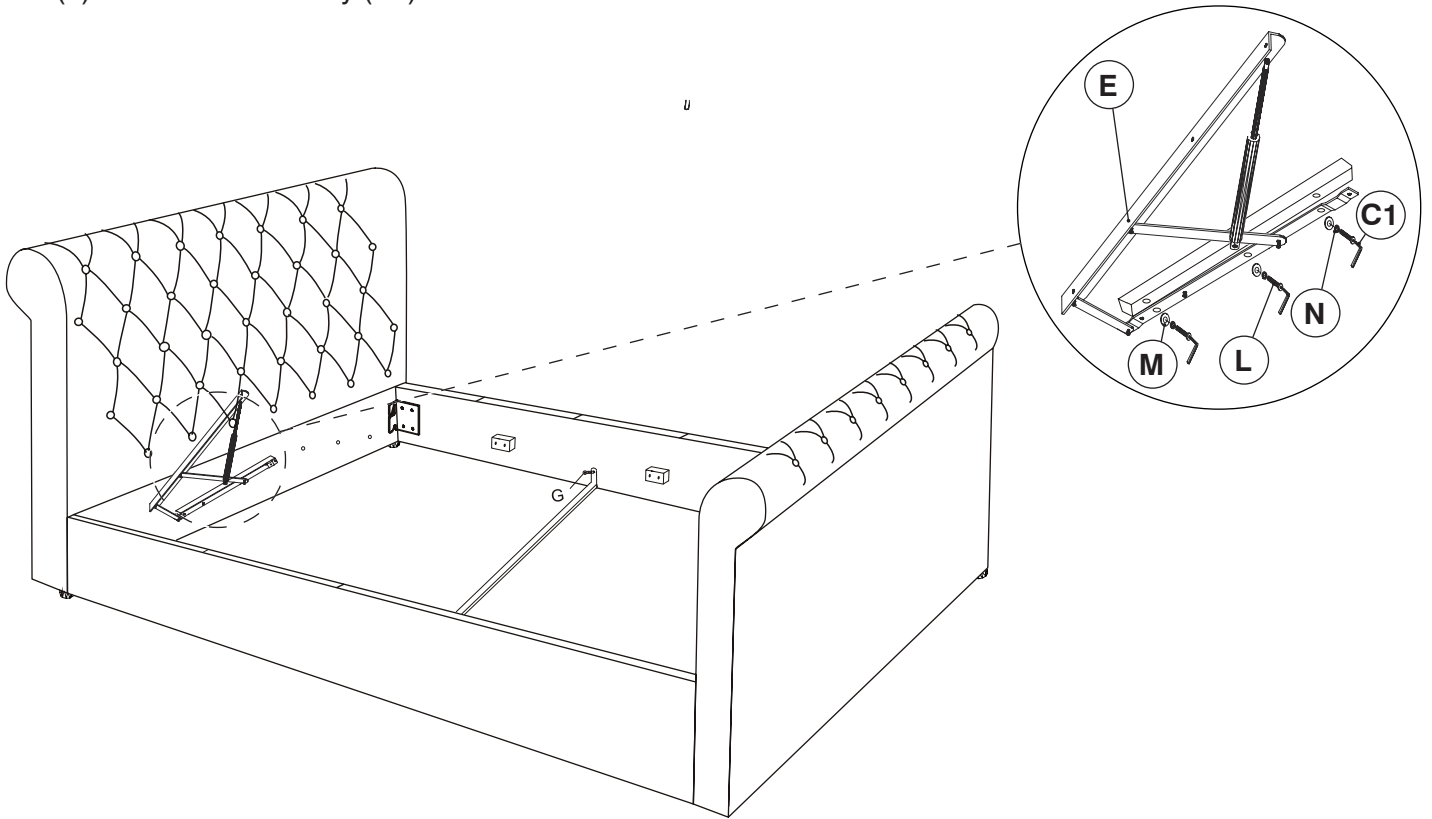
Step 3

Attach 2x Side Rails (B) to 1x Headboard (A) and 1x Footboard (F) using 8x M8x30mm Bolt (J), 8x Spring Washer (N), 8x Flat Washer (M) and 1x M5 Allen Key (O).



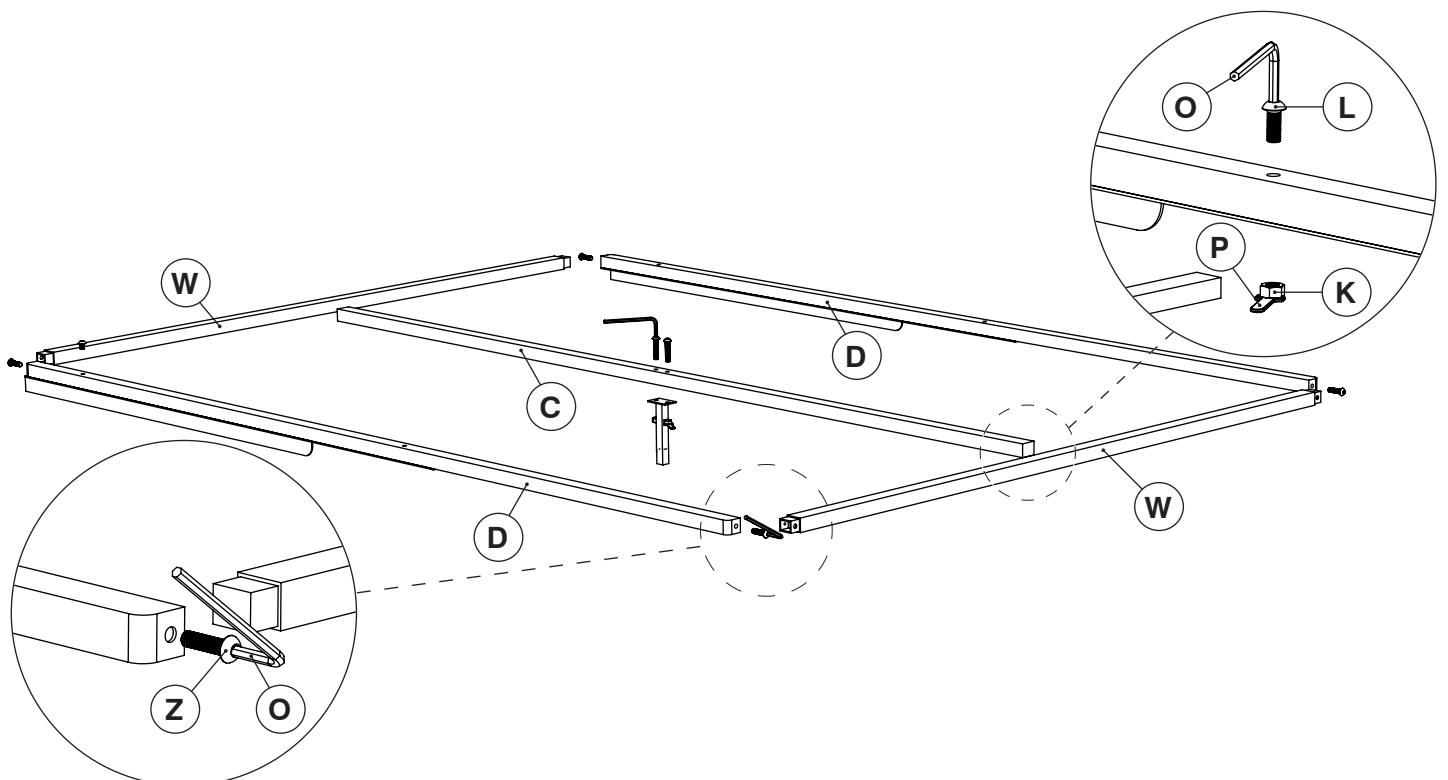
Step 4

Attach 2x Hydraulic Part (E) and Baton (B1) to 1x Headboard (A) and 1x Footboard (F) using 6x M8x45mm Bolts (L), 6x Spring Washer (N) and 6x Flat Washer (M). Then attach 1x Cross Bar (T) to 2x Side Rail (B) using 2x M6x16mm Bolts (Y) and 1x M4 Allen Key (C1).



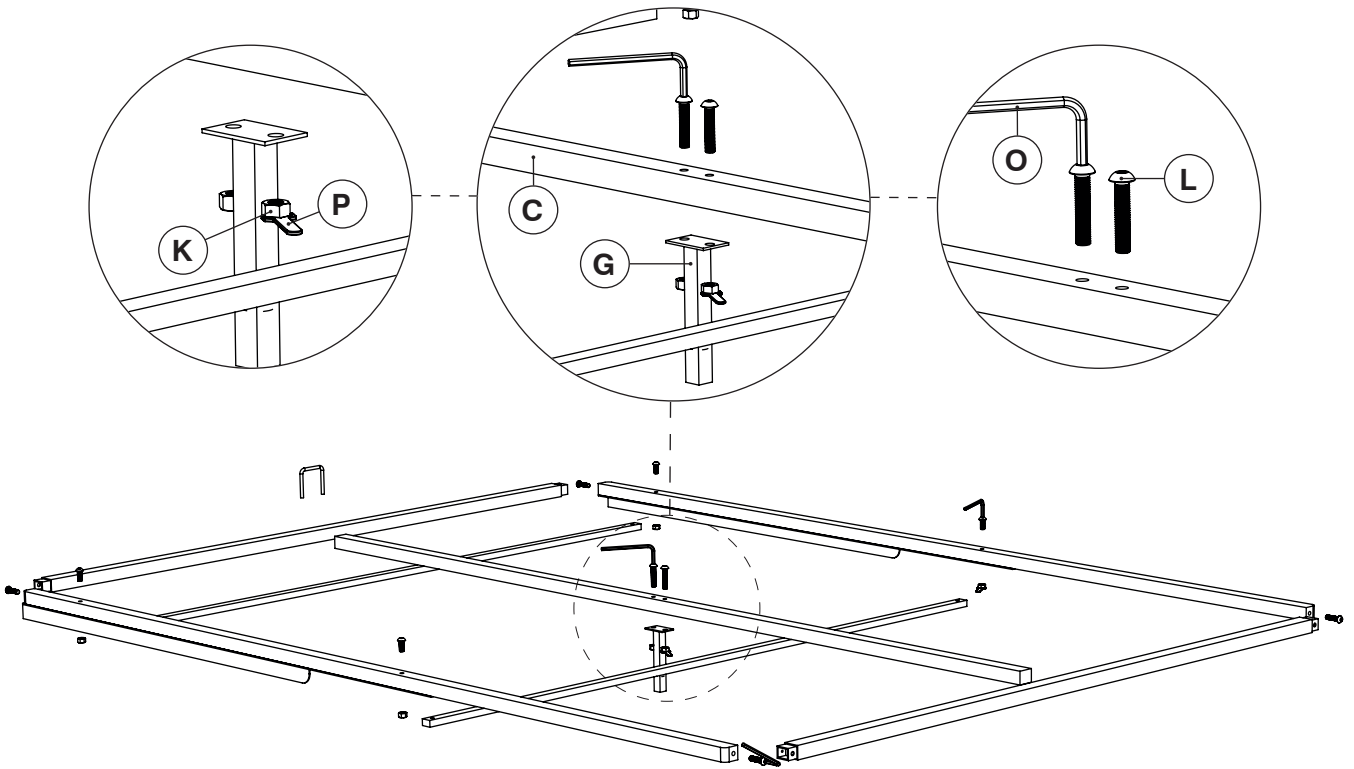
Step 5

Attach the 2x Front and Back Frame Rails (W) to the 2x Left & Right Frame Rail (D) using 4x M8x16mm Bolts (Z) and 1x M5 Allen Key (O). Then attach the Centre Support Rail (C) to the 2x Left & Right Frame Rail (D) using 6x M8x45mm Bolts (L), 6x Nuts (K), 1x M5 Allen Key (O) and 1x Spanner (P)..



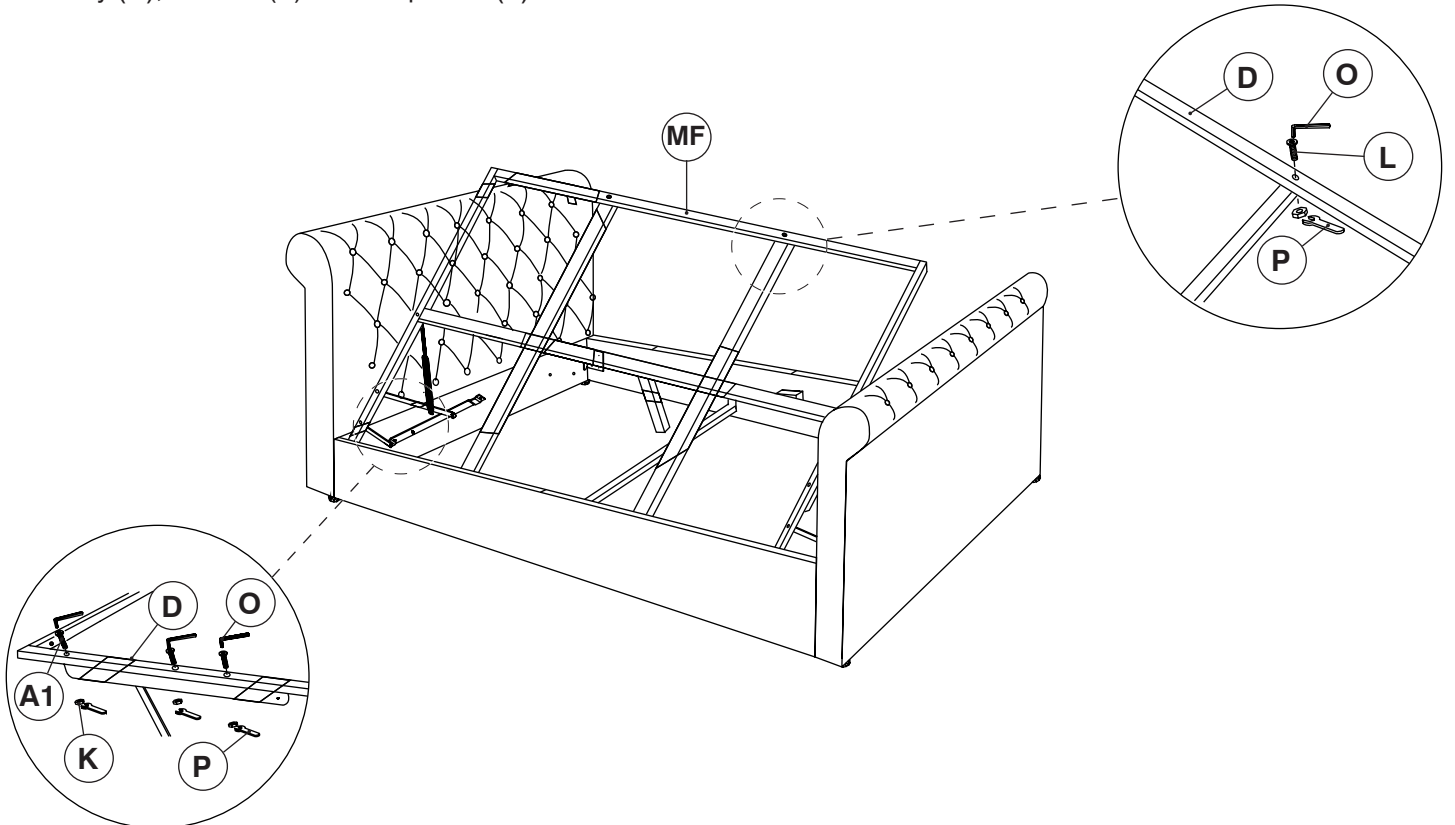
Step 6

Attach the Centre Support Leg (**G**) to the Centre Support Rail (**C**) using 6x M8x45mm Bolts (**L**), M5 Allen Key (**O**), 6x Nuts (**K**) and 1x Spanner (**P**).



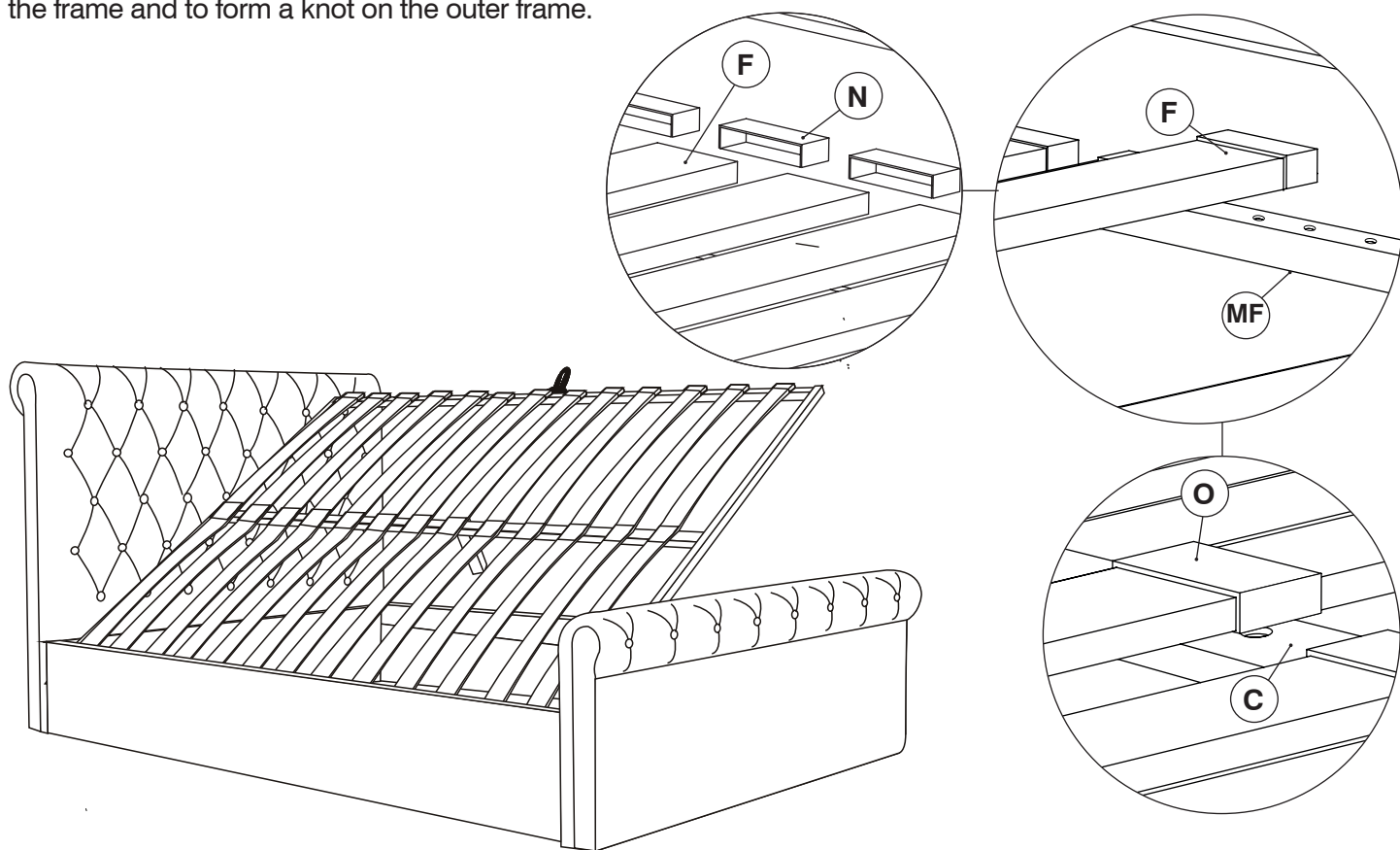
Step 7

Attach the Metal Frame (**MF**) to the 2x Hydraulic Part (**E**) using 6x M8x45mm Bolts (**L**), M5 Allen Key (**O**), 6x Nuts (**K**) and 1x Spanner (**P**). Then attach the 2x Cross Support Bar (**X**) to the Left and Right Frame Rail (**D**) using 4x M8x65mm Bolts (**A1**), M5 Allen Key (**O**), 4x Nuts (**K**) and 1x Spanner (**P**).



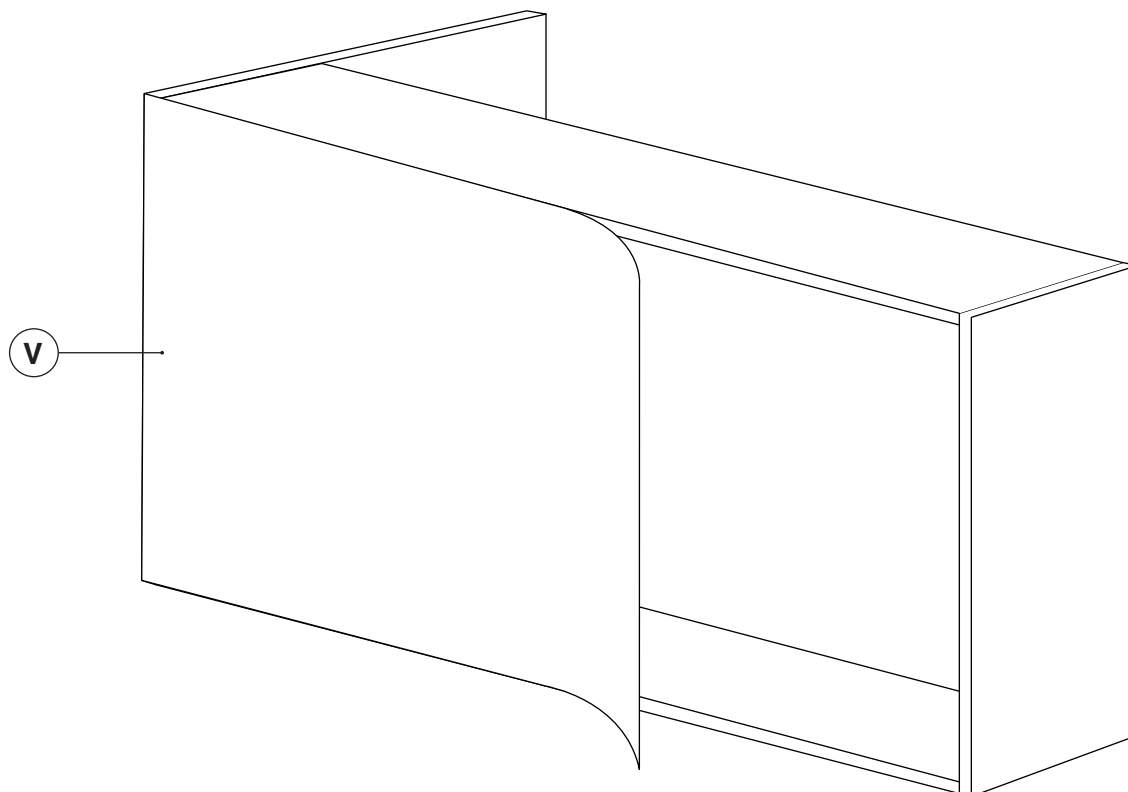
Step 8

Slot each Slat Cap (Q) on to the end of each Slat (H). Then slot each Slat (H) into each Centre Slat Cap (R). Press firmly into each Metal Rail located on the Metal Frame (MF) and then into the Centre Support Rail (C). Finally, attach Pull Strap (P) to the Left or Right Frame Rail (L) by placing beneath the Metal Frame (MF) and pulling through the inside of the frame and to form a knot on the outer frame.



Step 9

Turn the bed frame over on to its side and attach the Woven Fabric (V) to the base of the bed frame as shown below.



Please dispose of all packaging safely.

General Care & Maintenance

Wipe clean with a slightly damp cloth.
Avoid the use of all household cleaners and abrasives.

Periodically check all screw & fixings to ensure they are secure.
When moving your product, carefully lift into place. Never drag or push the pieces across the floor as this will cause damage to the joints and could result in failure to the product that will invalidate the warranty.

For more information on cleaning and product care visit:
<https://www.happybeds.co.uk/help-and-advice>

Notes

We've tried to make this product as easy to assemble as possible. In the unlikely event that you have problems putting it together or have damaged or missing pieces, please contact us by visiting:

<https://www.happybeds.co.uk/customer-service>



www.happybeds.co.uk



Important for Ottoman and other gas lift beds

Please follow these final steps to ensure the best experience with your new bed

- Please ensure the pistons are fitted to the bed frame.
- Please place the mattress on top of the bed frame.
- Standing at the foot of the frame (looking at the headboard) open the base and the press quite forcefully down on the mattress - please do not attempt to do this without the mattress being in place.
- Please do not pull on the strap handles.
- Please note as the pistons are full of gas - you will need to press heavily to release the compressed gas.
- Once done the pistons should start operating as normal.



Please dispose of all packaging safely.

General Care & Maintenance

Wipe clean with a slightly damp cloth.
Avoid the use of all household cleaners and abrasives.

Periodically check all screw & fixings to ensure they are secure.

When moving your product, carefully lift into place. Never drag or push the product across the floor as this will cause damage to the joints. If the product is used on hard flooring, such as wood or laminated floor, you must place some protection under the legs to stop the product from moving. If this is not adhered to, it could result in failure to the product that will invalidate the warranty.

For more information on cleaning and product care visit:
<https://www.happybeds.co.uk/help-and-advice>

Notes

In the unlikely event that you have problems putting this product together or have damaged or missing parts, please contact us by visiting:
<https://www.happybeds.co.uk/customer-service>