

## Assembly Instructions

### Important before assembly:

Read these instructions carefully before assembling or using the product.

Please check the contents of the boxes before attempting to assemble this product. The instructions will have a checklist of parts and fittings.

Assemble the product as close to its intended final location/room as possible.

### Health & Safety:

This product or some parts of this product will be heavy. Please use an assistant when lifting.

Please keep small parts out of reach of children.

Always use on a level, even surface.

DO NOT jump on the product or any of its parts.

DO NOT use this product if any parts are missing, damaged or worn.

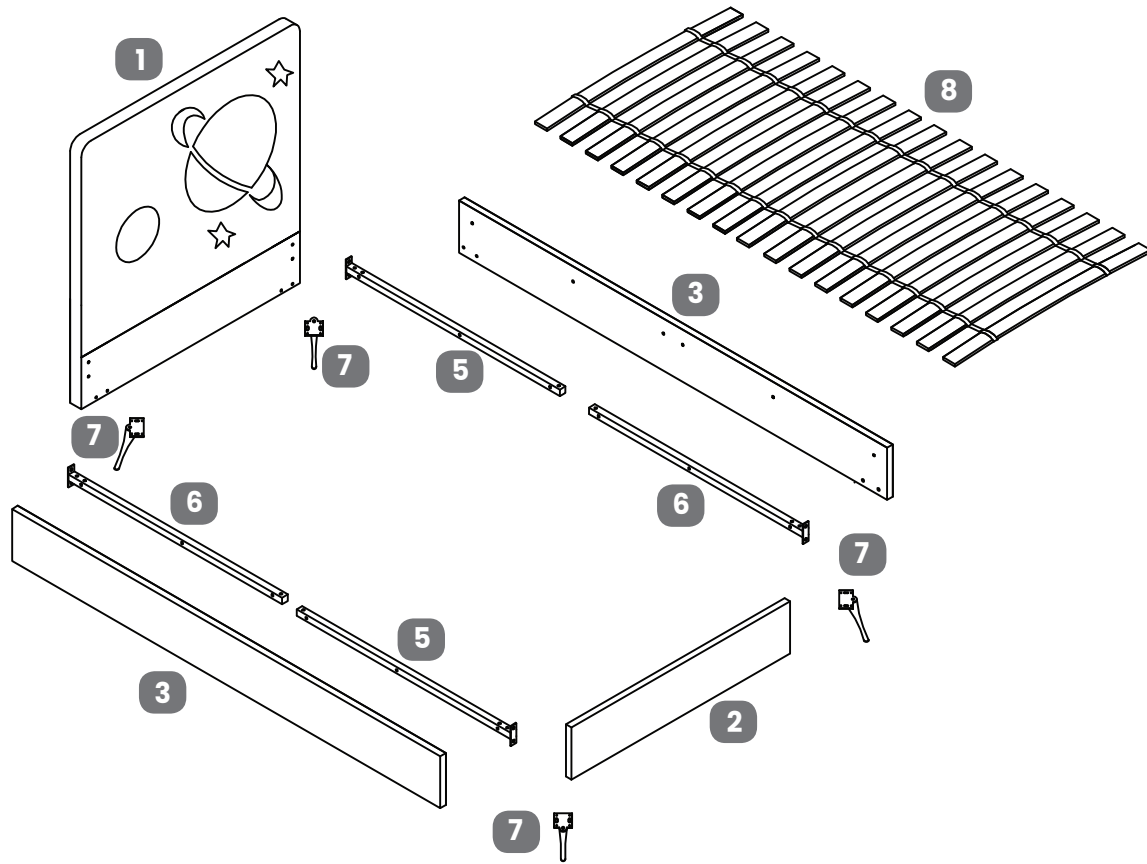
DO NOT use this product unless all fixings are secured.

**Further instructions are on the following pages.**

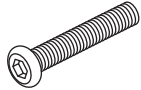


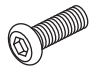
Please keep these instructions for future reference.





No	Part List	Qty	Box
1	Headboard	1 pc	1
2	Footboard	1 pc	3
3	Side Rails	2 pcs	2
5	Slat Support Rail	2 pcs	3

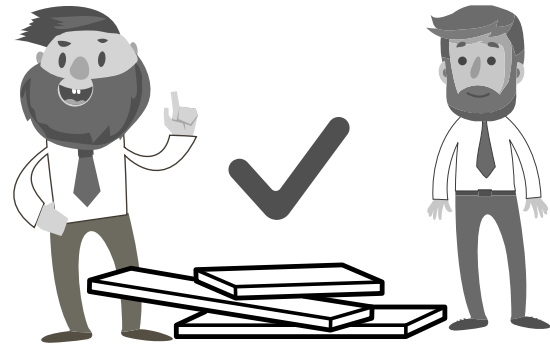
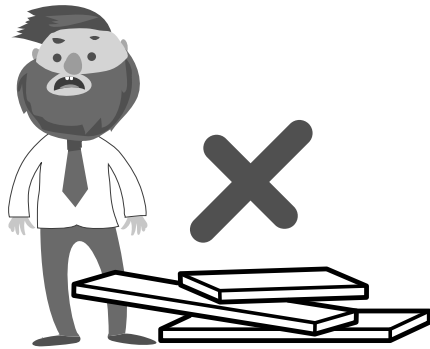
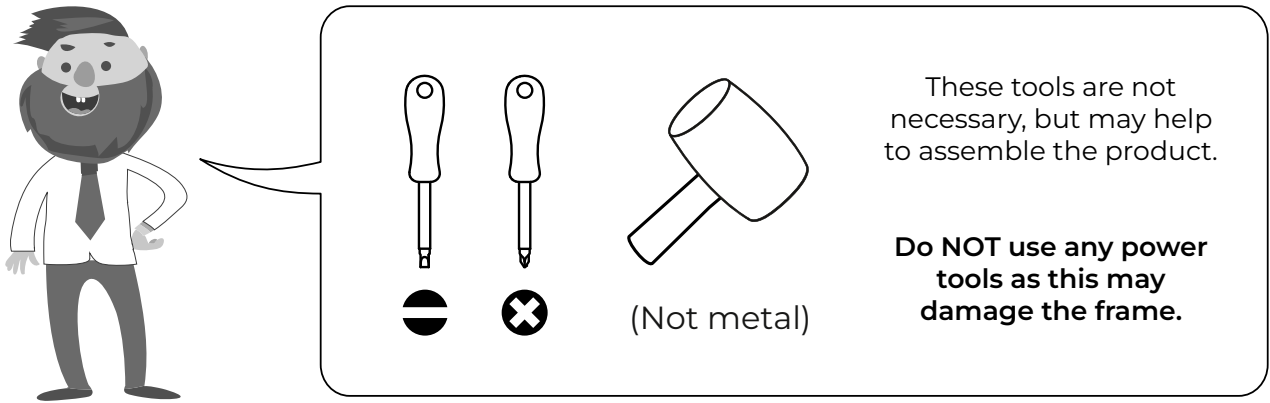
No	Part List	Qty	Box
6	Slat Support Rail	2 pcs	3
7	Legs	4 pcs	3
8	Wooden Slat Set	1 pc	1



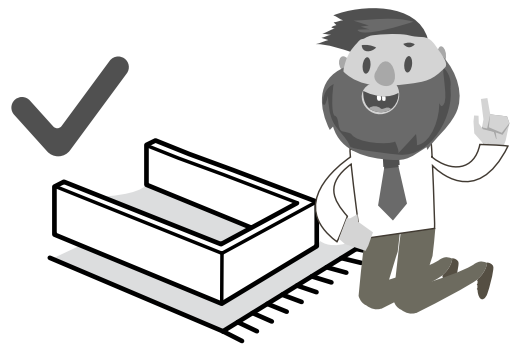
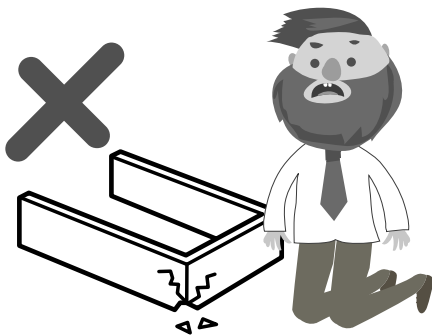
#### HARDWARE NEEDED FOR BED ASSEMBLY (PACK A)

No	Hardware List	Qty	Box
A	Bolts (M8x45mm) for fitting slat support rails (5&6) to side rail (3&4)		12 pcs 3
B	Spring washer for M8 bolts		44 pcs 3
C	Flat washer for M8 bolts		44 pcs 3
D	Bolts (M8x20mm) for fitting bracket		32 pcs 3

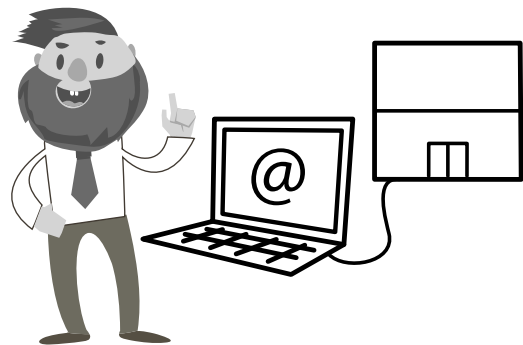
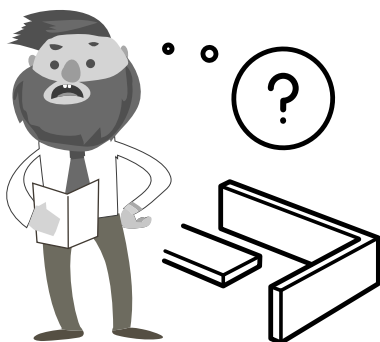
No	Hardware List	Qty	Box
E	Allen key for M8 bolts		1 pc 3
F	Metal connection plate		2 pcs 3
G	Single plastic caps		6 pcs 3
J	Corner brackets		4 pcs 3



This product or some parts of this product will be heavy. Please use an assistant when lifting.



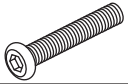



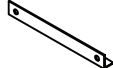
Never drag or push the pieces across a hard or stone floor as this will cause damage to the joints. Use a carpet or a rug for extra care.

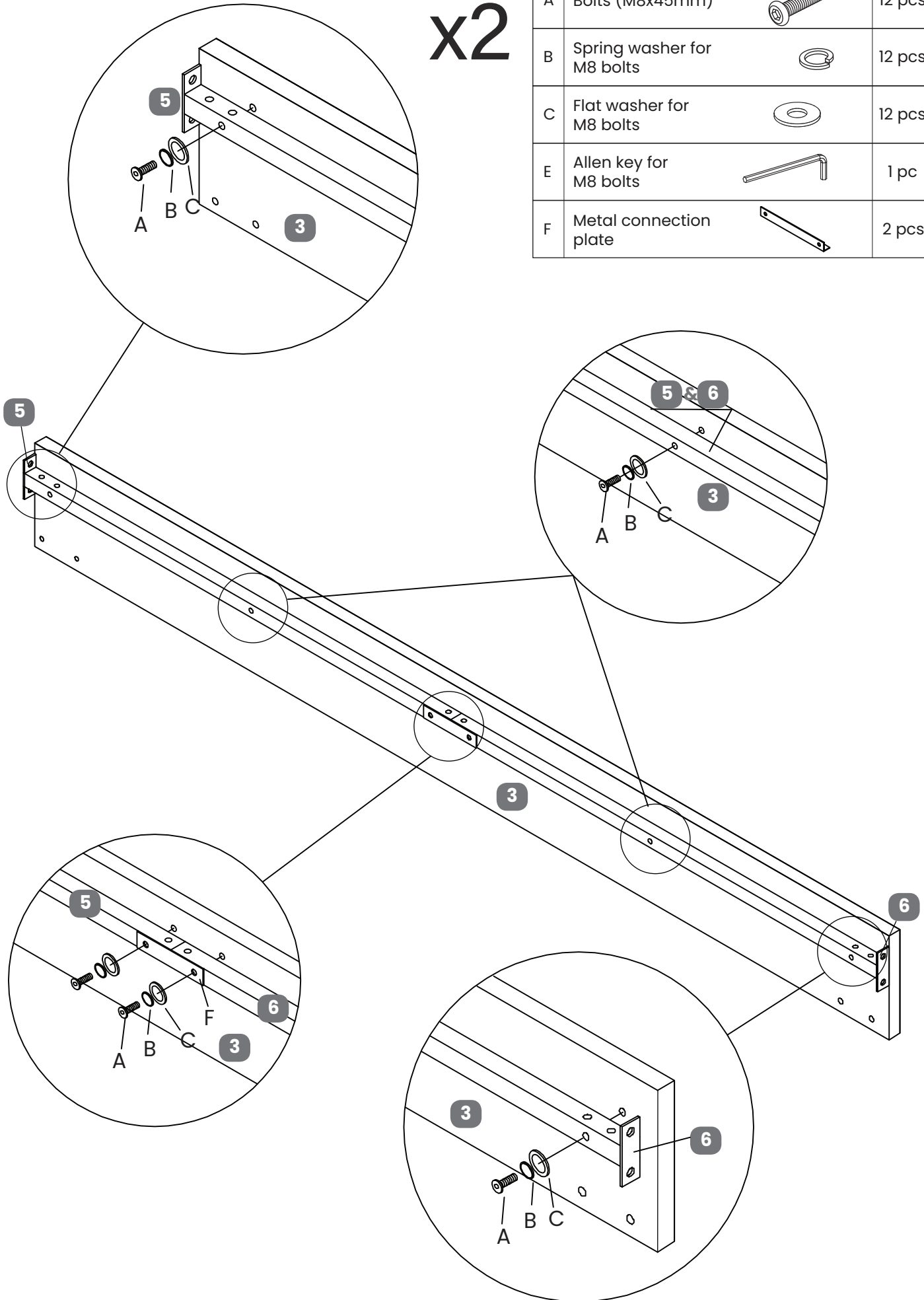


If you have problems assembling or have damaged or missing pieces, please contact our customer services (details at the back of these instructions)

**Step 1:**

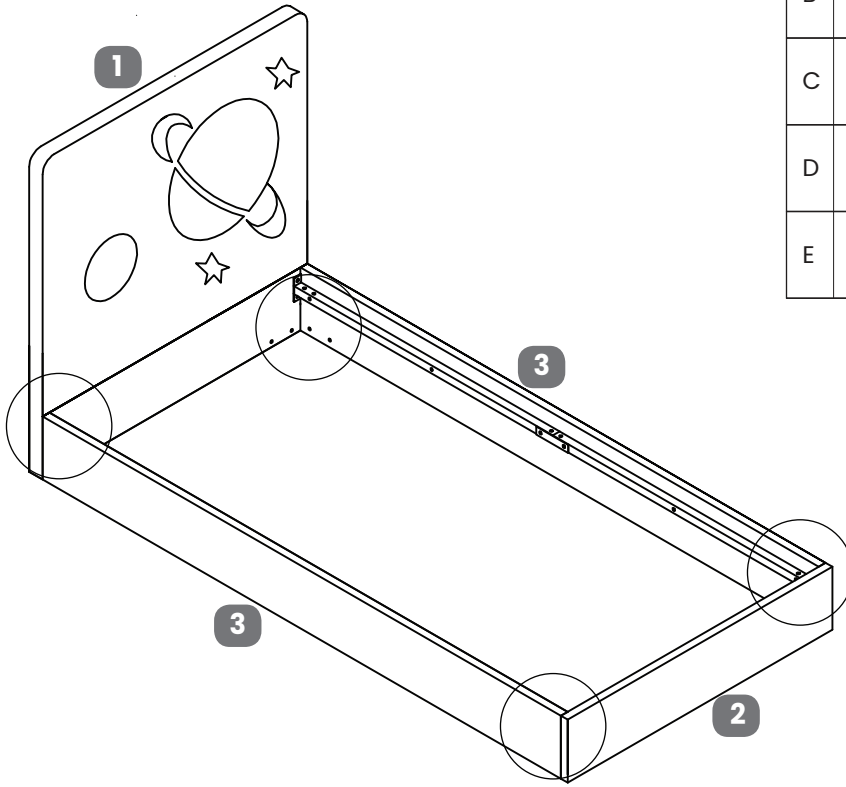
**x2**





A	Bolts (M8x45mm)		12 pcs
B	Spring washer for M8 bolts		12 pcs
C	Flat washer for M8 bolts		12 pcs
E	Allen key for M8 bolts		1 pc
F	Metal connection plate		2 pcs

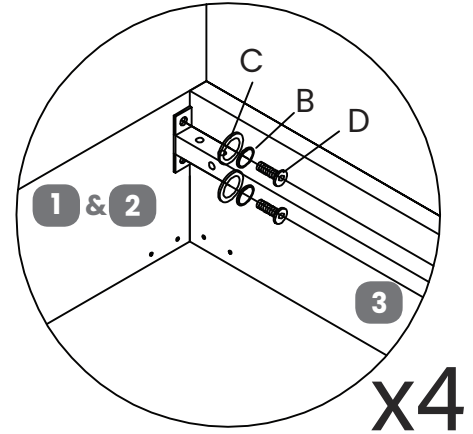


Please do not tighten 100% yet.

**Step 2:**








B	Spring washer for M8 bolts		8 pcs
C	Flat washer for M8 bolts		8 pcs
D	Bolts (M8x20mm)		8 pcs
E	Allen key for M8 bolts		1 pc

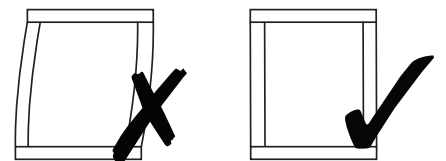
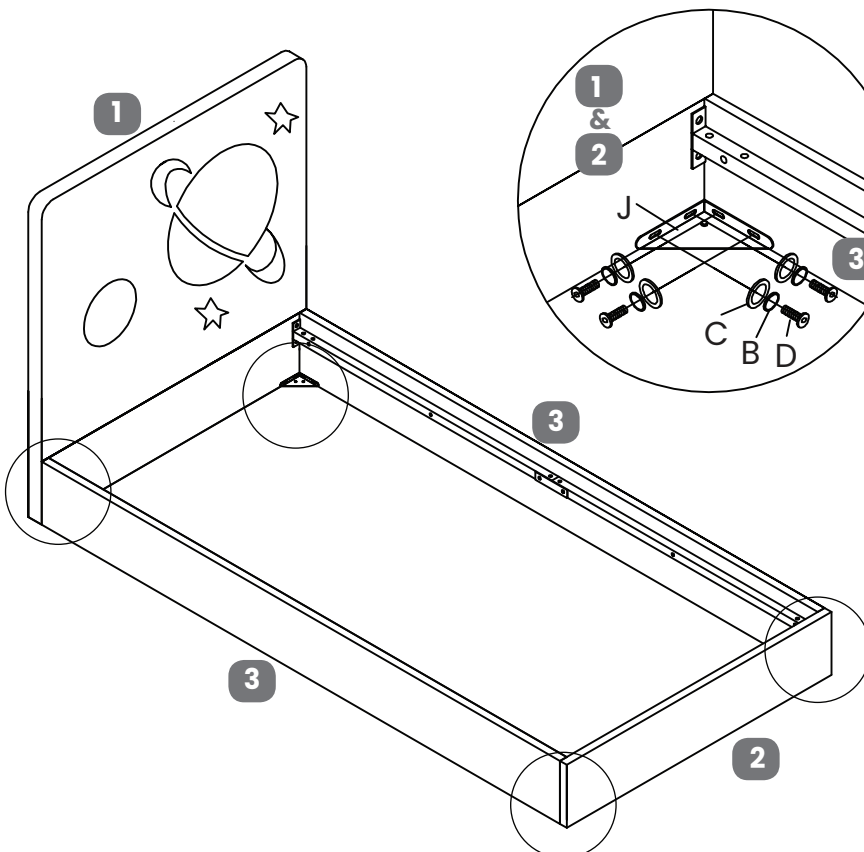


Please do not tighten 100% yet.

**Step 3:**



B	Spring washer for M8 bolts		16 pcs
C	Flat washer for M8 bolts		16 pcs

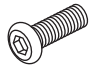

D	Bolts (M8x20mm)		16 pcs
E	Allen key for M8 bolts		1 pc
J	Corner brackets		4 pcs

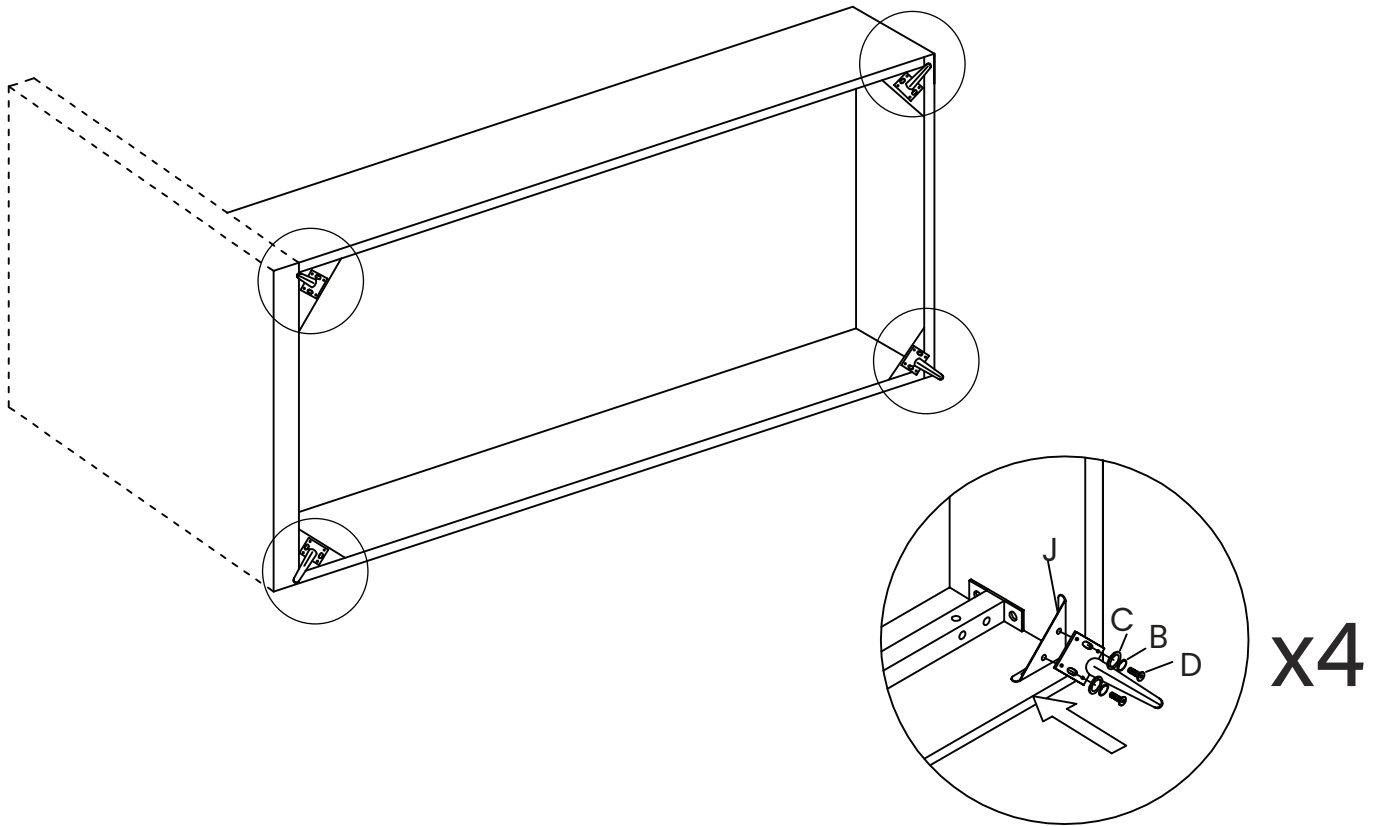



Make certain the bed is squared up as shown in the diagram then tighten all bed assembly bolts 100%.

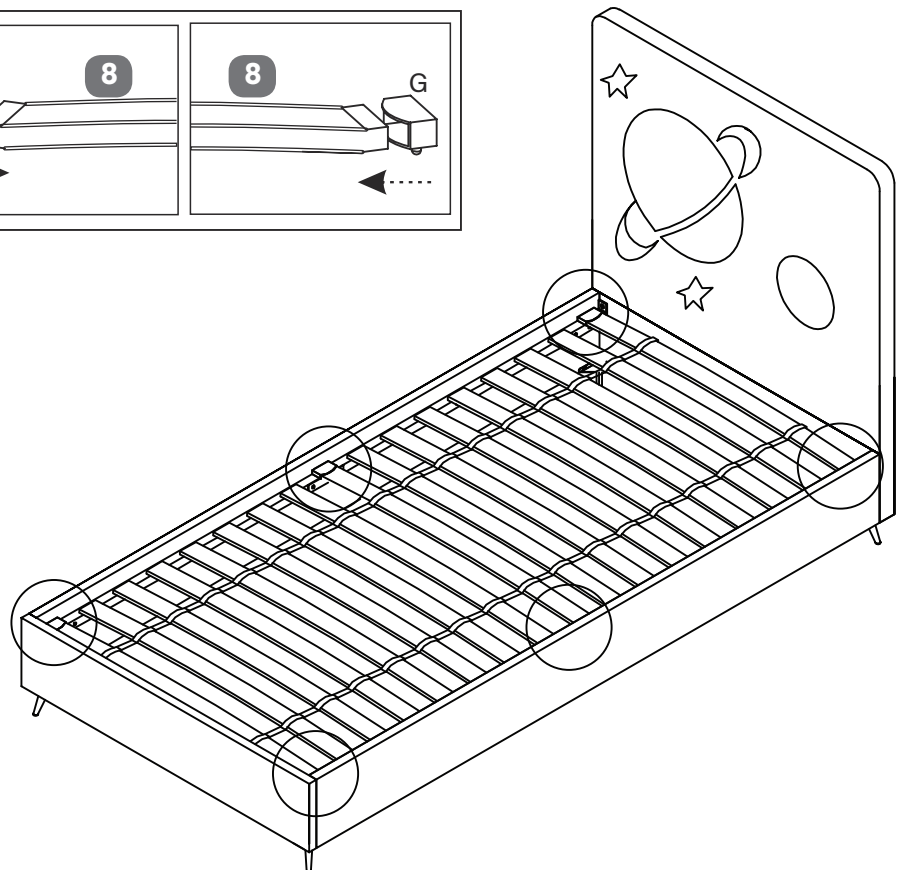
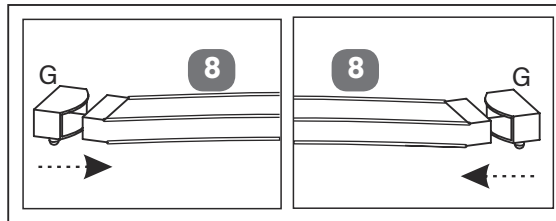
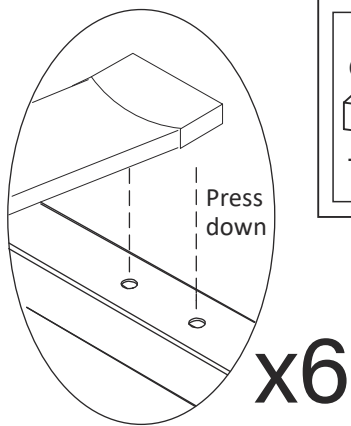
**Step 4:**

B	Spring washer for M8 bolts		8 pcs
C	Flat washer for M8 bolts		8 pcs

D	Bolts (M8x20mm)		8 pcs
E	Allen key for M8 bolts		1 pc

**Step 5:**

G	Single plastic caps		6 pcs
---	---------------------	---	-------



## Technical Specifications

### Overall Dimensions (LWH mm)

2030 x 980 x 1150

### Internal Dimensions (LW mm)

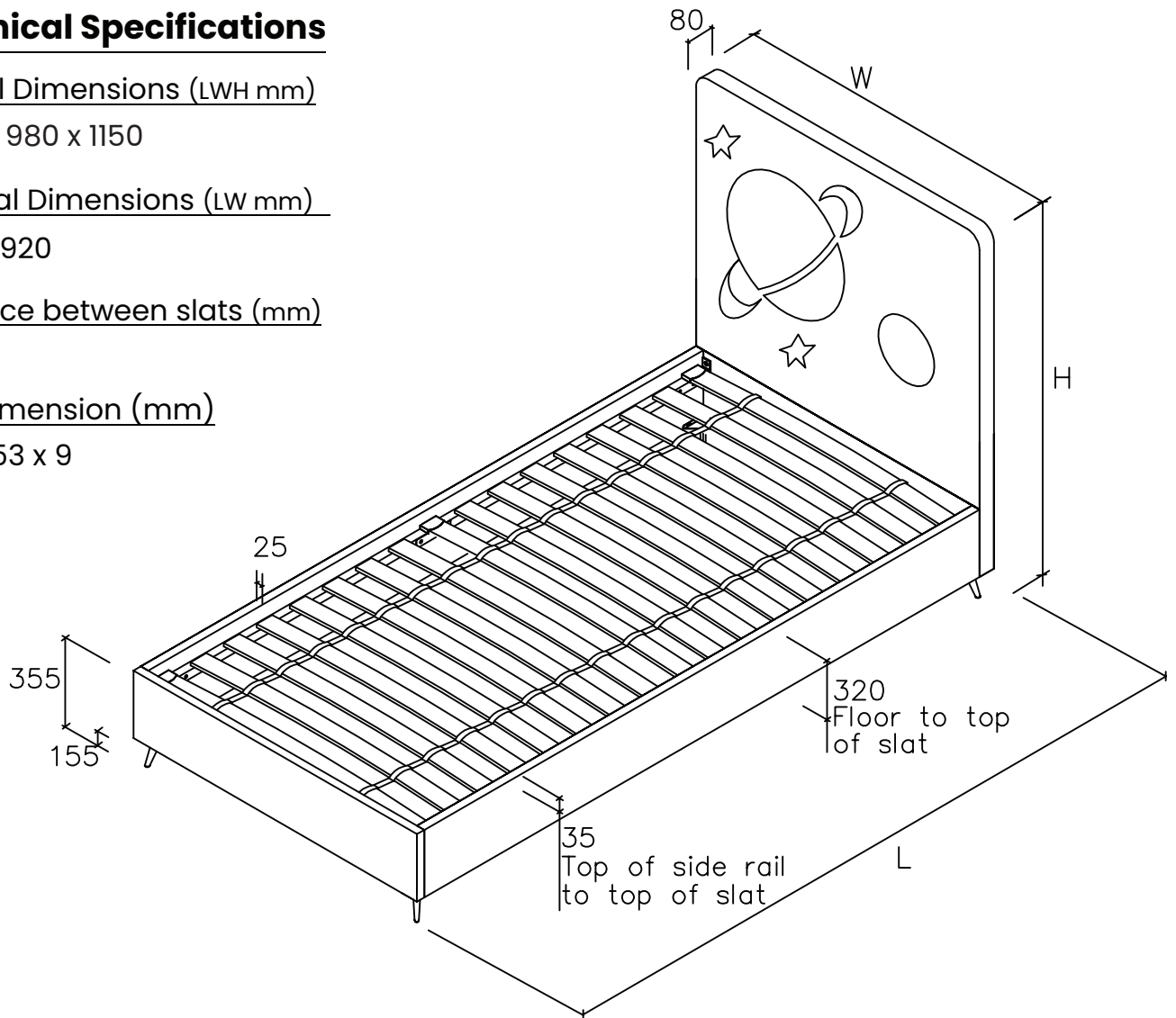
1920 x 920

### Distance between slats (mm)

61

### Slat Dimension (mm)

925 x 53 x 9



Please dispose of all packaging safely.

## General Care & Maintenance

Wipe clean with a slightly damp cloth.  
Avoid the use of all household cleaners and abrasives.

Periodically check all screw & fixings to ensure they are secure.

When moving your product, carefully lift into place. Never drag or push the product across the floor as this will cause damage to the joints. If the product is used on hard flooring, such as wood or laminated floor, you must place some protection under the legs to stop the product from moving. If this is not adhered to, it could result in failure to the product that will invalidate the warranty.

For more information on cleaning and product care visit:  
<https://www.happybeds.co.uk/help-and-advice>

## Notes

In the unlikely event that you have problems putting this product together or have damaged or missing parts, please contact us by visiting:  
<https://www.happybeds.co.uk/customer-service>