

Assembly Instructions

Important before assembly:

Read these instructions carefully before assembling or using the product.

Please check the contents of the boxes before attempting to assemble this product. The instructions will have a checklist of parts and fittings.

Assemble the product as close to its intended final location/room as possible.

Health & Safety:

This product or some parts of this product will be heavy. Please use an assistant when lifting.

Please keep small parts out of reach of children.

Always use on a level, even surface.

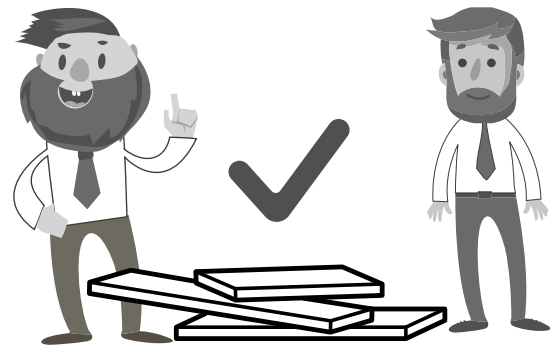
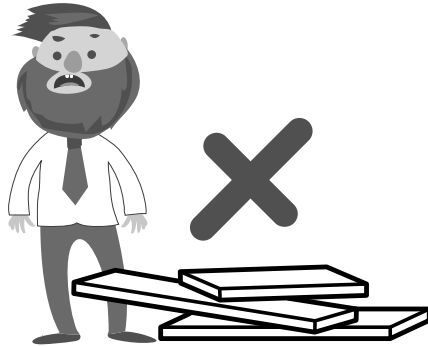
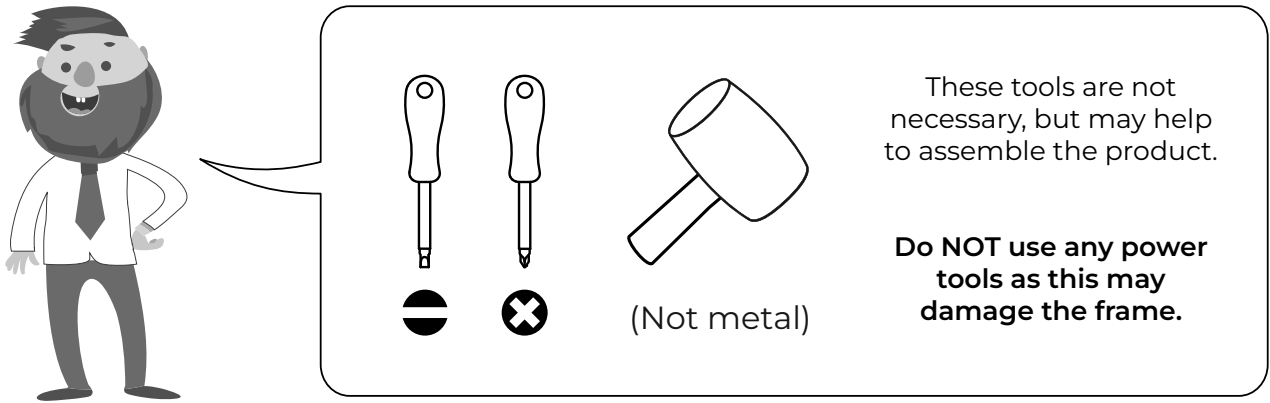
DO NOT jump on the product or any of its parts.

DO NOT use this product if any parts are missing, damaged or worn.

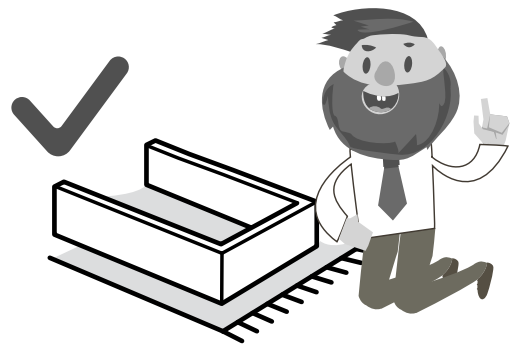
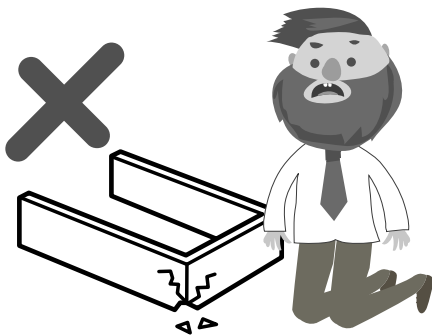
DO NOT use this product unless all fixings are secured.

Further instructions are on the following pages.

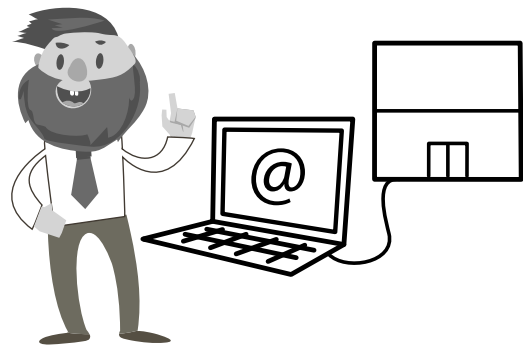
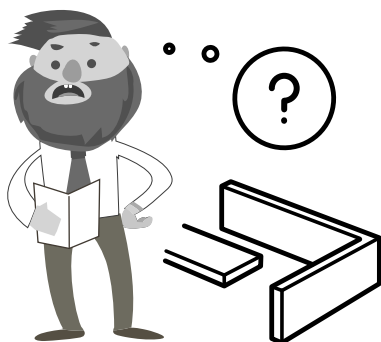
Please keep these instructions for future reference.



This product or some parts of this product will be heavy. Please use an assistant when lifting.



Never drag or push the pieces across a hard or stone floor as this will cause damage to the joints. Use a carpet or a rug for extra care.



If you have problems assembling or have damaged or missing pieces, please contact our customer services (details at the back of these instructions)



Important for High Sleepers, Bunk Beds and Children's Beds

Warning:

High sleepers and the upper tier of bunk beds are not suitable for children under 6 years of age due to risk of injury from falls.

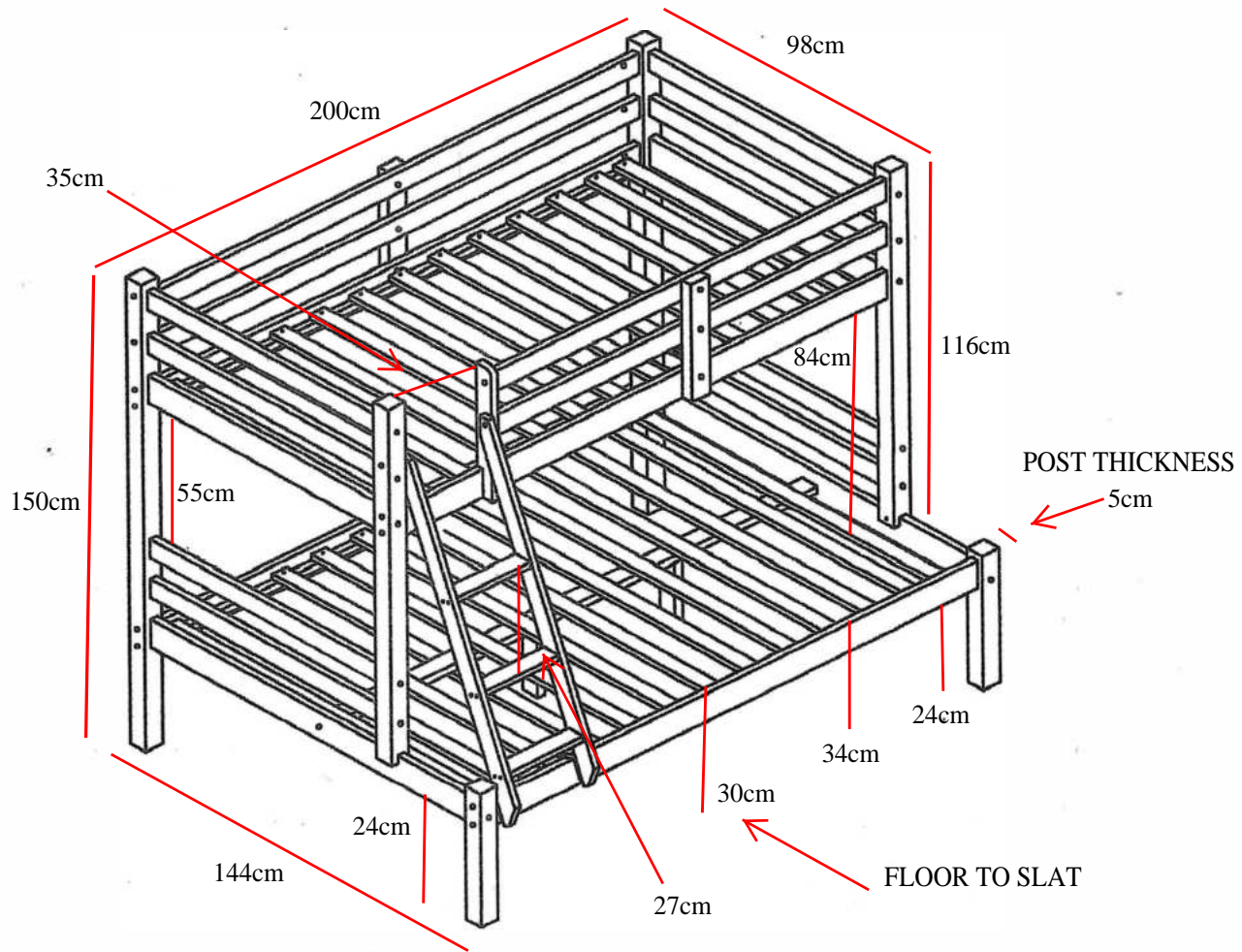
High Sleepers and Bunk Beds present a risk of injury from strangulation if used incorrectly. Never attach or hang anything on any part of the bed that is not designed to be used with the bed, for example, but not limited to ropes, strings, cords, hooks, belts and bags.



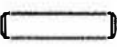


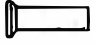







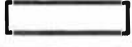
Children can become trapped between the bed and the wall, a roof pitch, the ceiling and other pieces of furniture (e.g. wardrobes). To avoid risk of serious injury, the distance between the top safety barrier and any adjoining structure shall not exceed 75mm or shall be more than 230mm.

Maximum thickness of a mattress on the top tier is 18cm. Please refer to the label or marking on the headboard.

This bed has been tested by an independent laboratory and is in compliance with BS EN 747-1 : 2012+A1:2015 - Standard Consumer Safety specification for bunk beds & high sleepers.

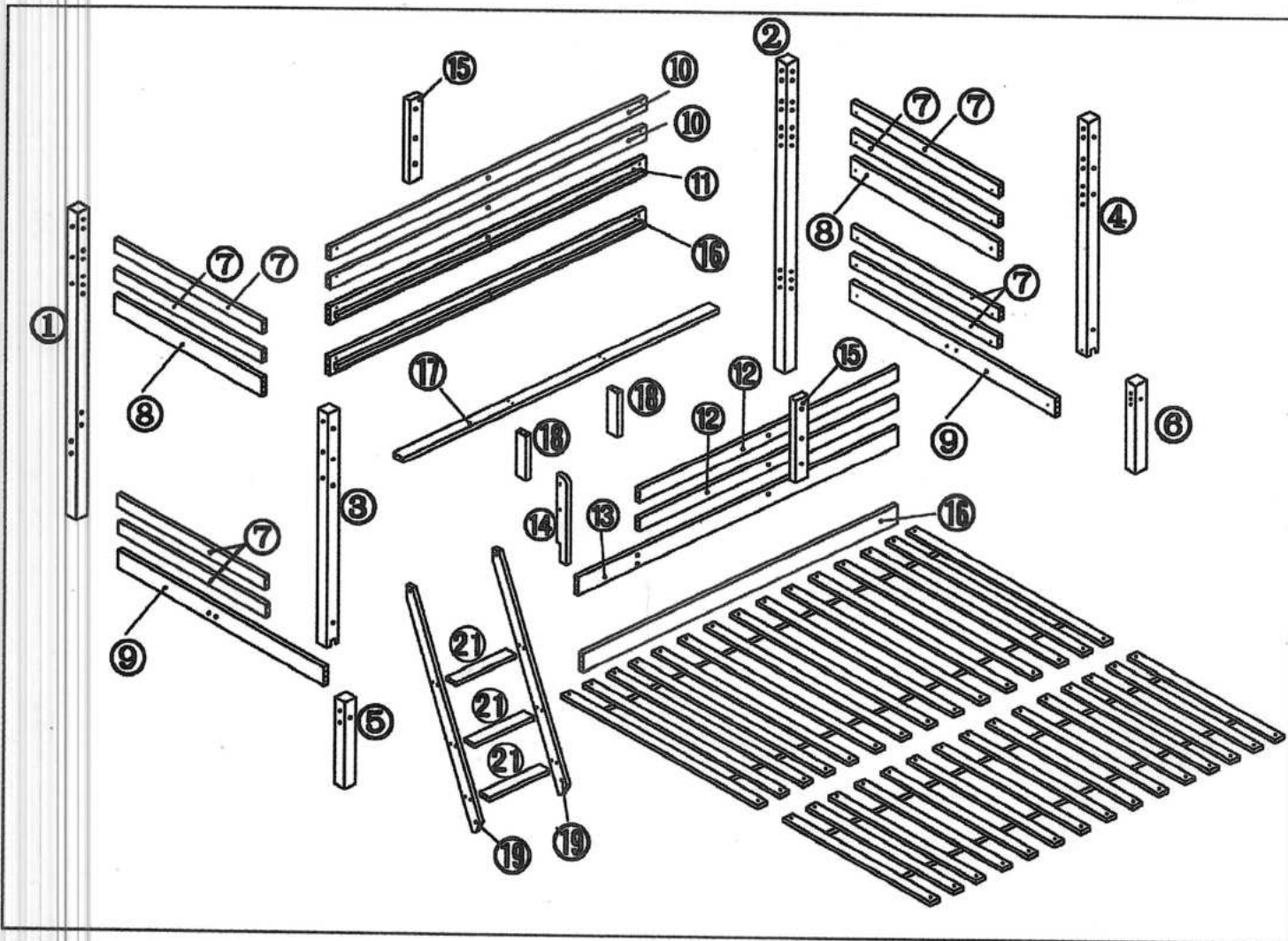
SURREY BUNK BED



Ax47	 M6x90	Bx48	
Cx52	 $\Phi 8 \times 30$	Dx6	 M6x30
Ex16	 $\Phi 7 \times 50$	Fx9	
Gx6	 $\Phi 3.5 \times 16$	Hx2	
Kx77	 $\Phi 4 \times 30$	Jx2	 M6x50
Mx2	 M6x60	Lx2	
Nx57	 $\Phi 18$	Px1	 71.5 mm

IMPORTANT – READ CAREFULLY – RETAIN FOR FUTURE REFERENCE

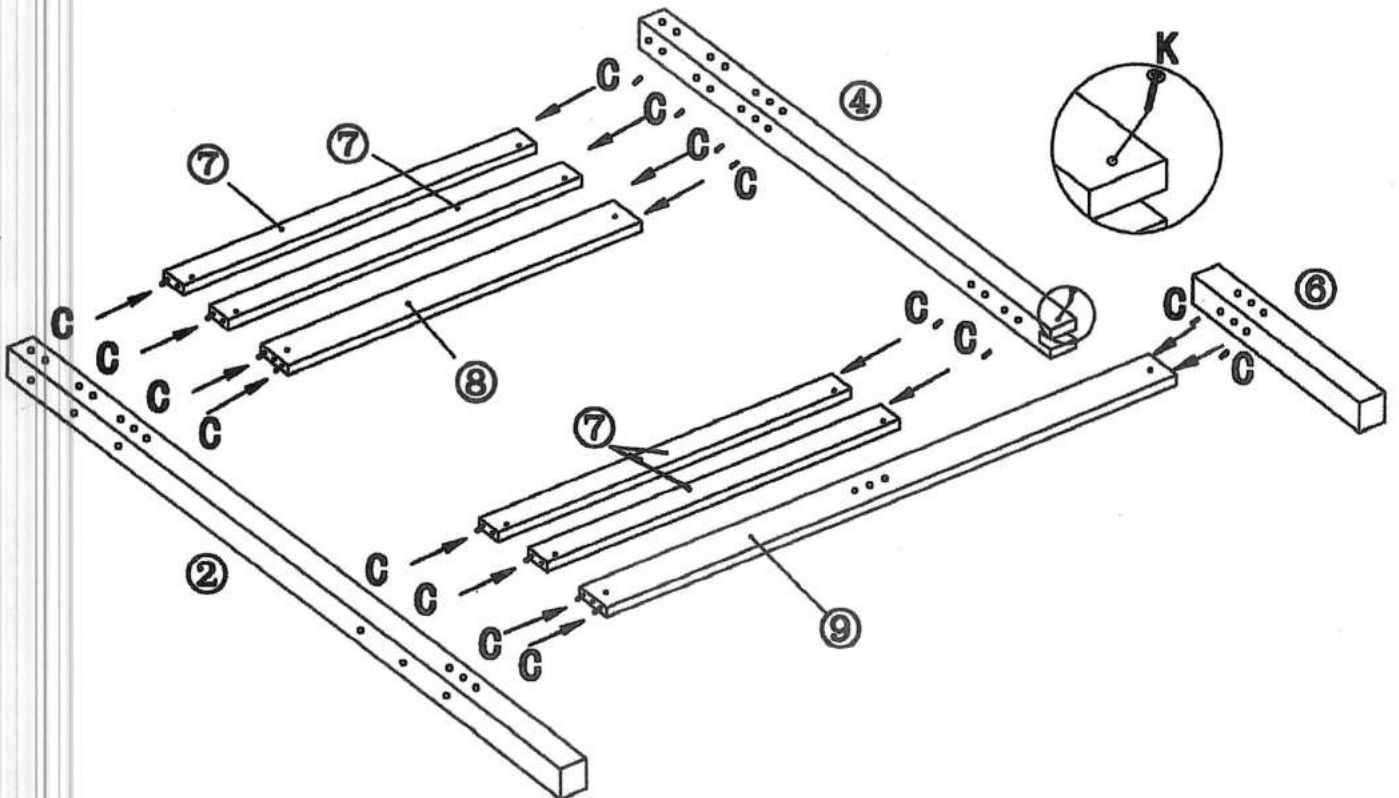
- a) WARNING "High beds and the upper bed of bunk beds are not suitable for children under six years due to the risk of injury from falls";
- b) WARNING "Bunk beds and high beds can present a serious risk of injury from strangulation if not used correctly. Never attach or hang items to any part of the bunk bed that are not designed to be used with the bed, for example, but not limited to ropes, strings, cords, hooks, belts and bags"
- c) WARNING "Children can become trapped between the bed and the wall, a roof pitch, the ceiling, adjoining pieces of furniture (e.g. cupboards) and the like. To avoid risk of serious injury the distance between the top safety barrier and the adjoining structure shall not exceed 75 mm or shall be more than 230 mm";
- d) WARNING Do not use the bunk bed/high bed if any structural part is broken or missing;
- e) always follow the manufacturer's instructions to assemble the bed;
- f) The maximum height of the mattress at least 160mm from the top of the safety barrier.
- g) Recommended size of the mattress: L190 X W90 X H10 CM.the max thickness of the mattress is 120mm
- h) ventilation of the room is necessary in order to keep the humidity low and to prevent mould in and around the bed;
- i) all bunk beds and high beds intended to be assembled by other than the manufacturer or his/her representative shall include assembly instructions including a list of the parts supplied and details of any tools required to assemble the bed;
- j) all assembly fastenings should always be tightened properly and the care should be taken that no fittings are loose.
- k) EN 747-1&2:2012+A1:2015



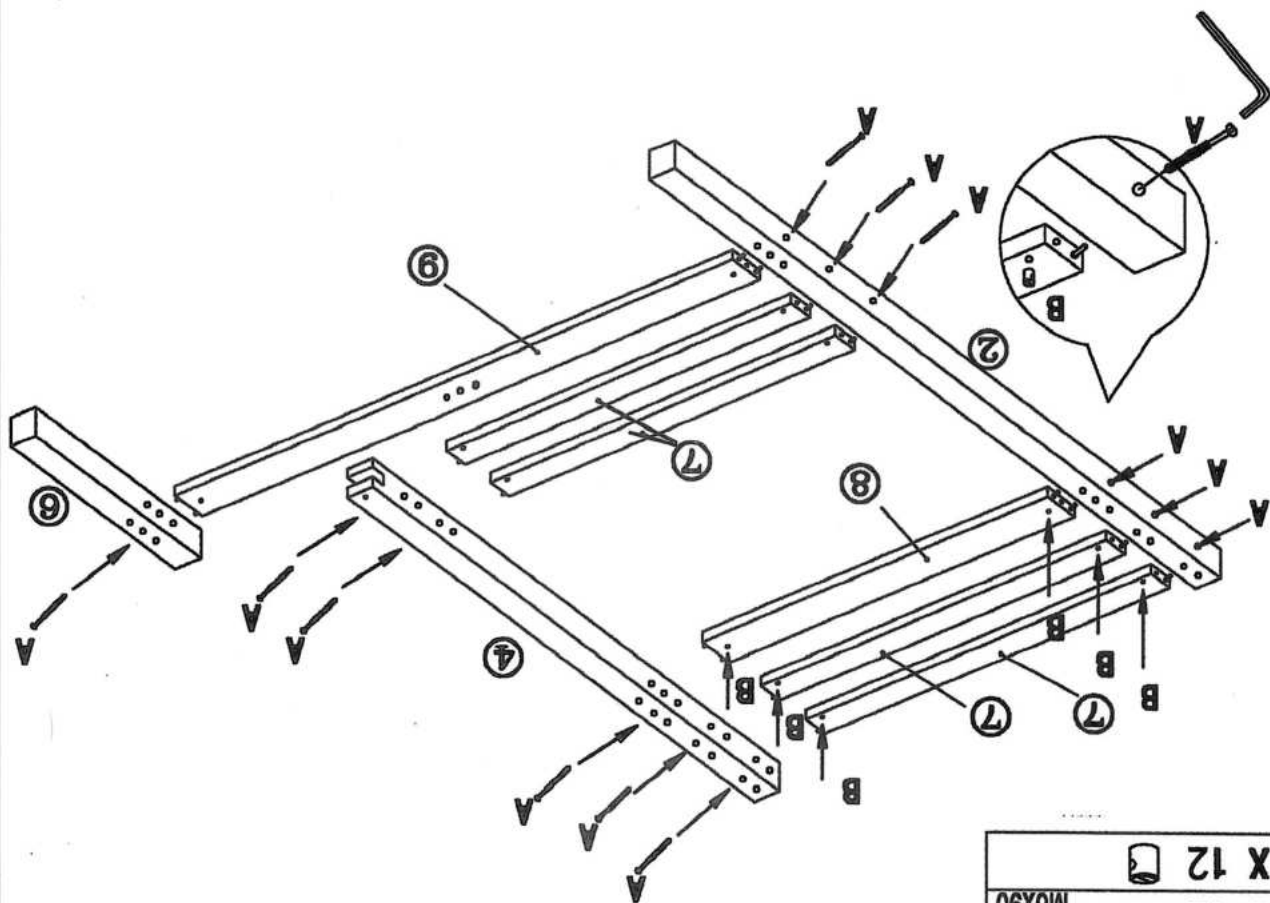
C X 16 $\Phi 8 \times 30$

K X 1 $\Phi 4 \times 30$

01

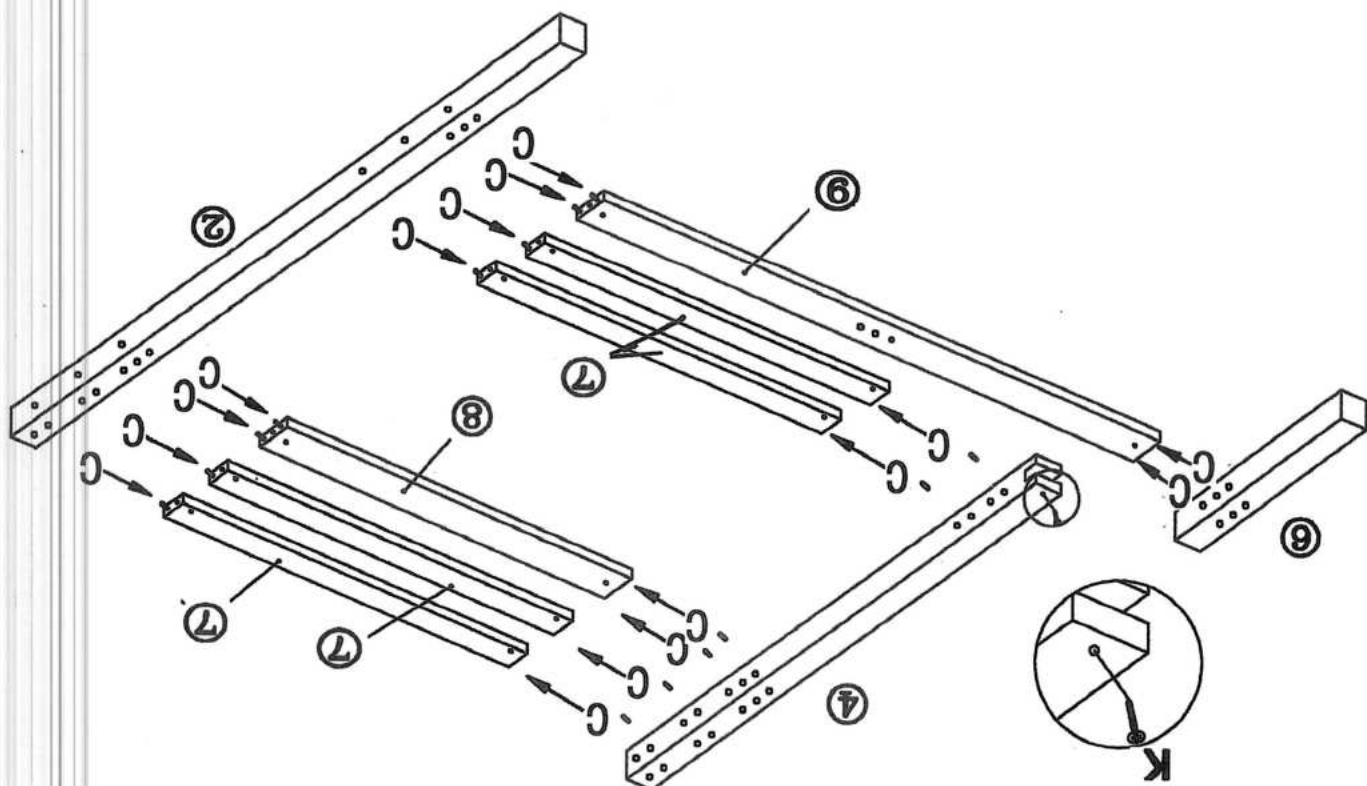


03





A X 12	→	M6x90
B X 12	→	

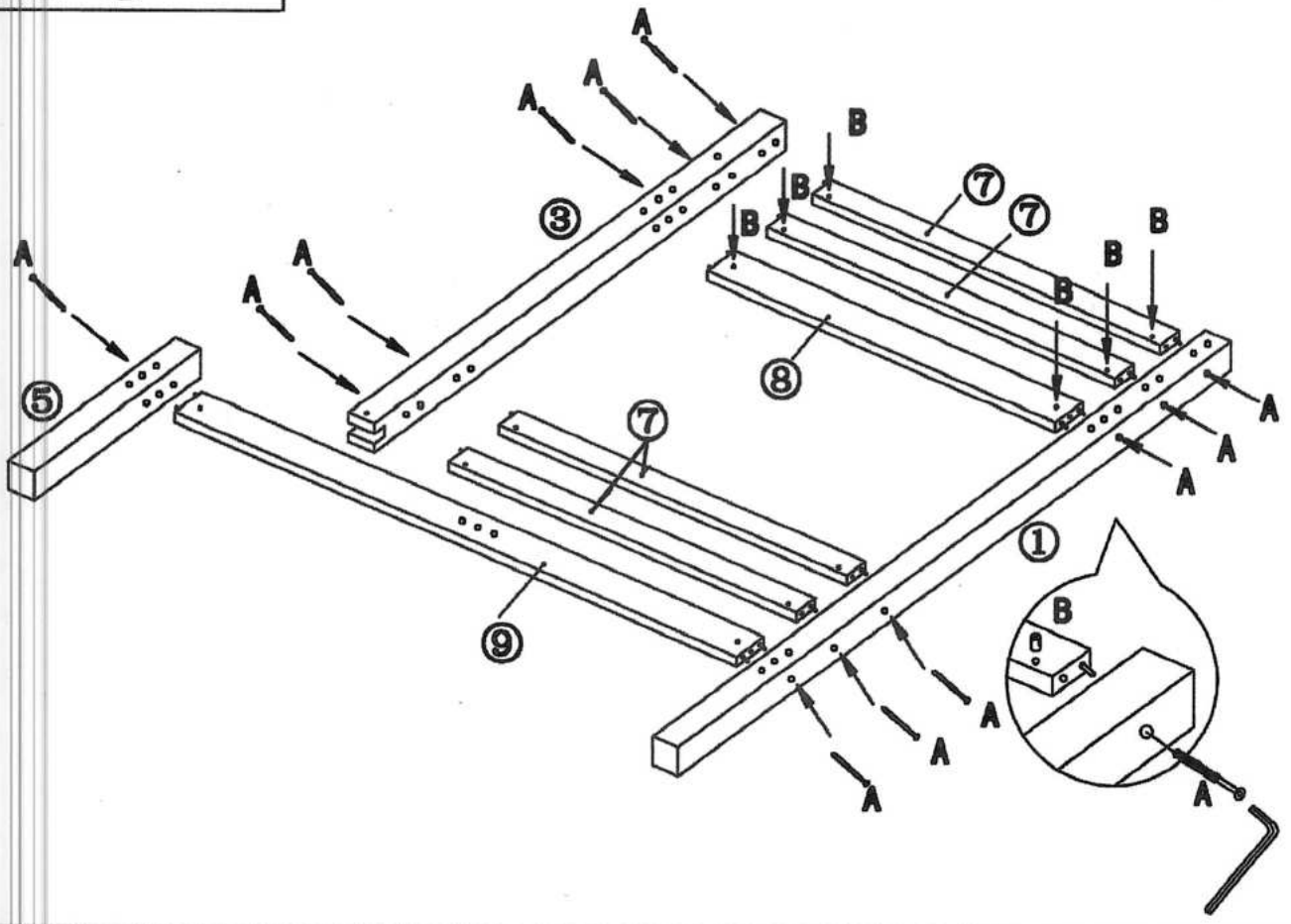
02



C X 16	→	Φ8x30
K X 1	→	Φ4x30

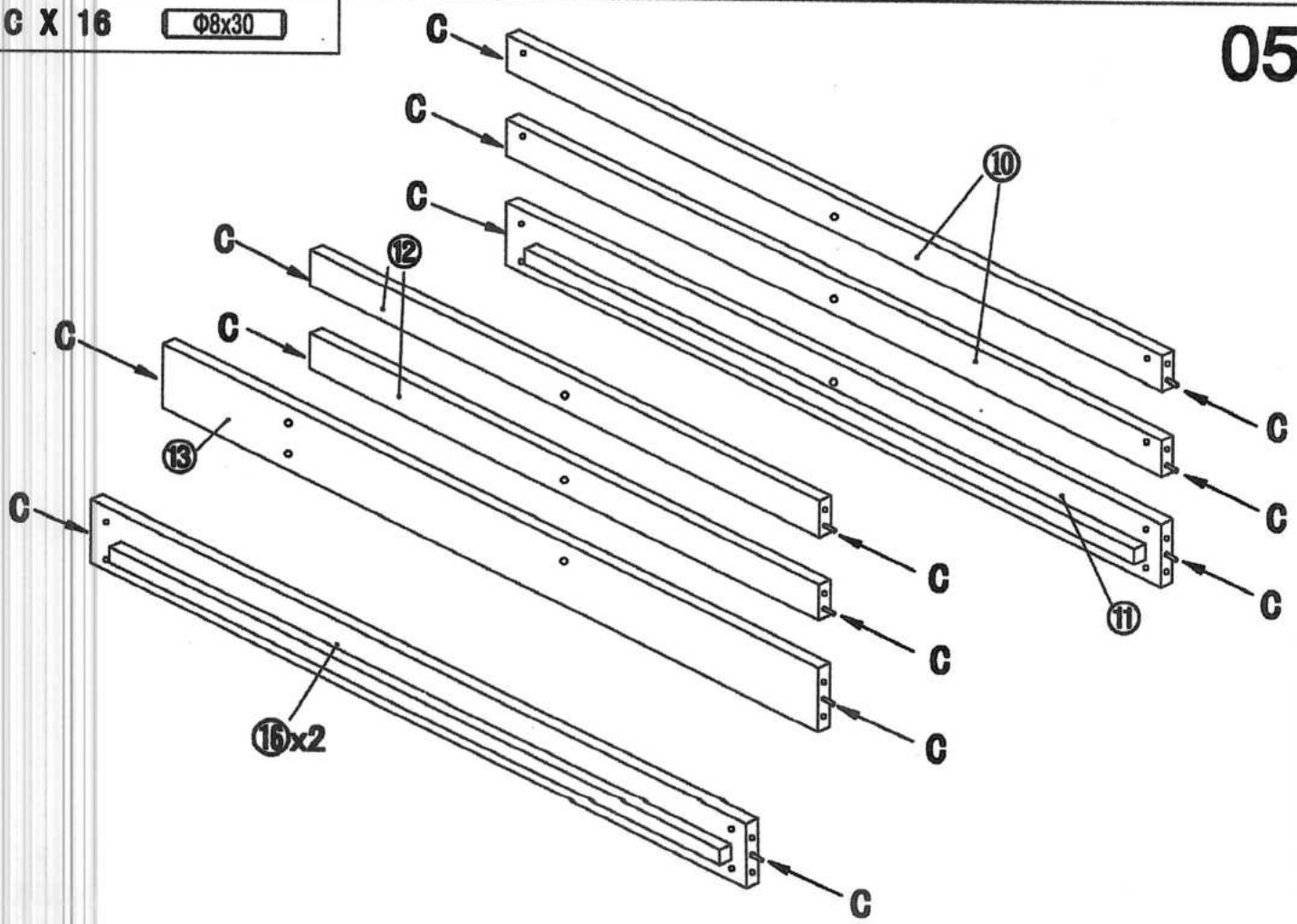
AX 12  M6x90
BX 12 

04



C X 16  Φ8x30

05



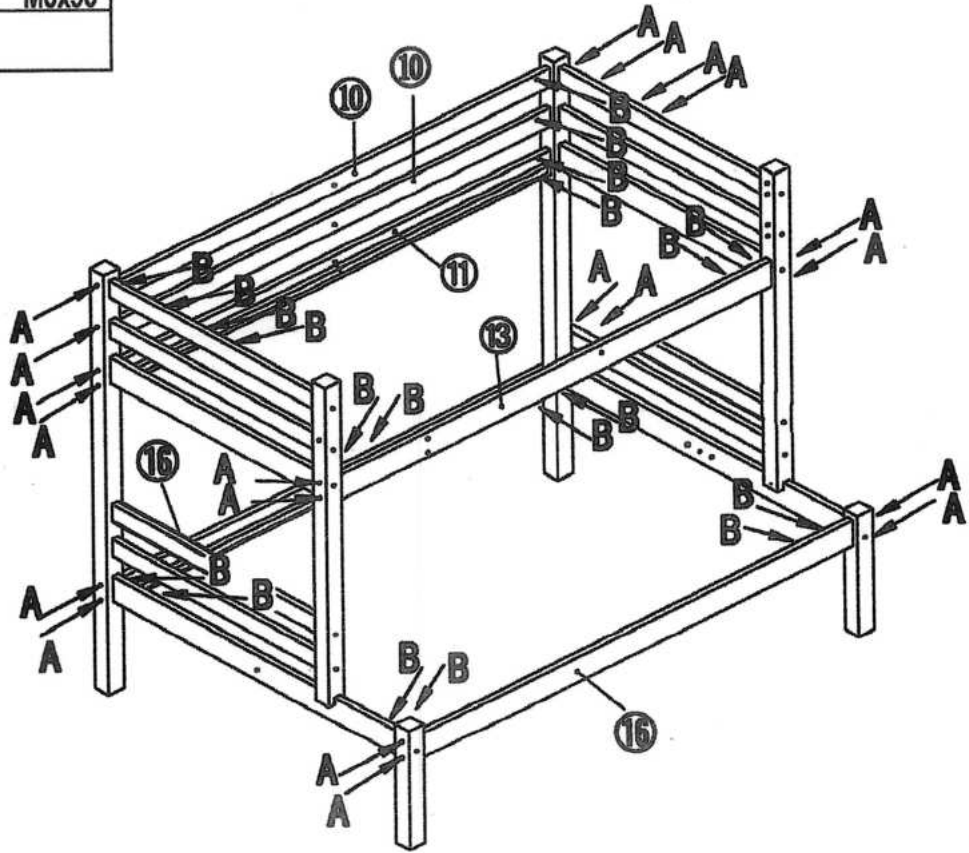
A X 20



B X 20



06



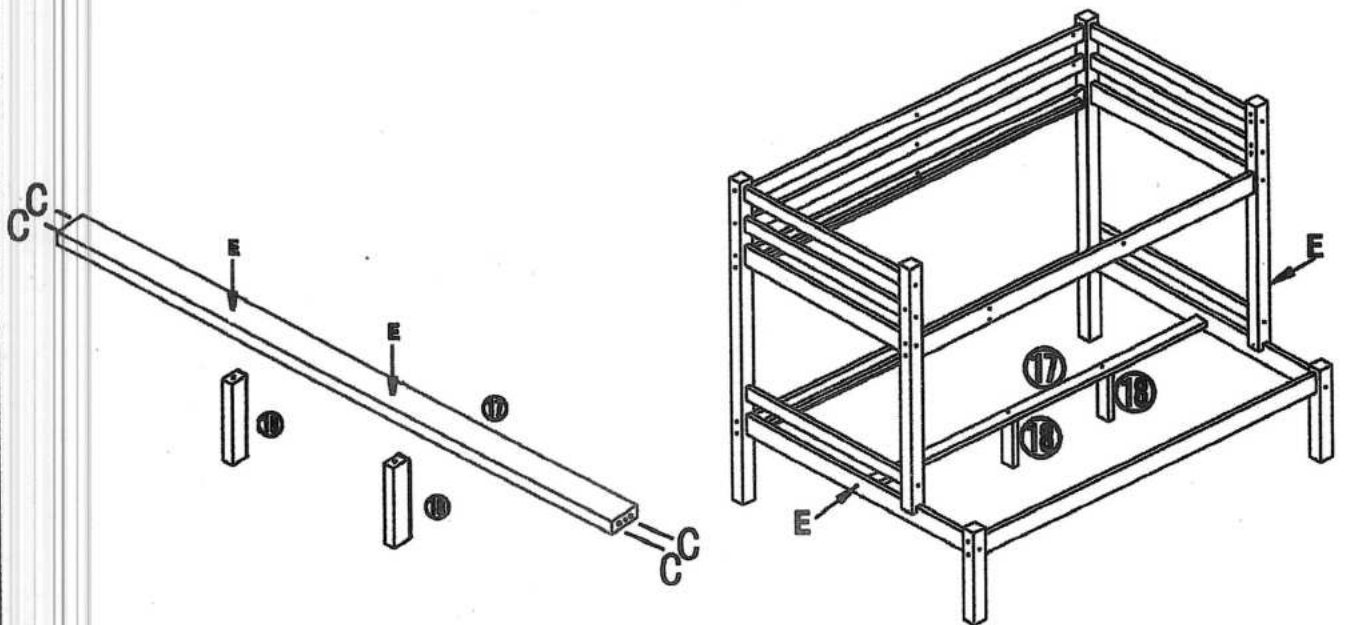
E X 4


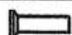
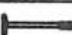



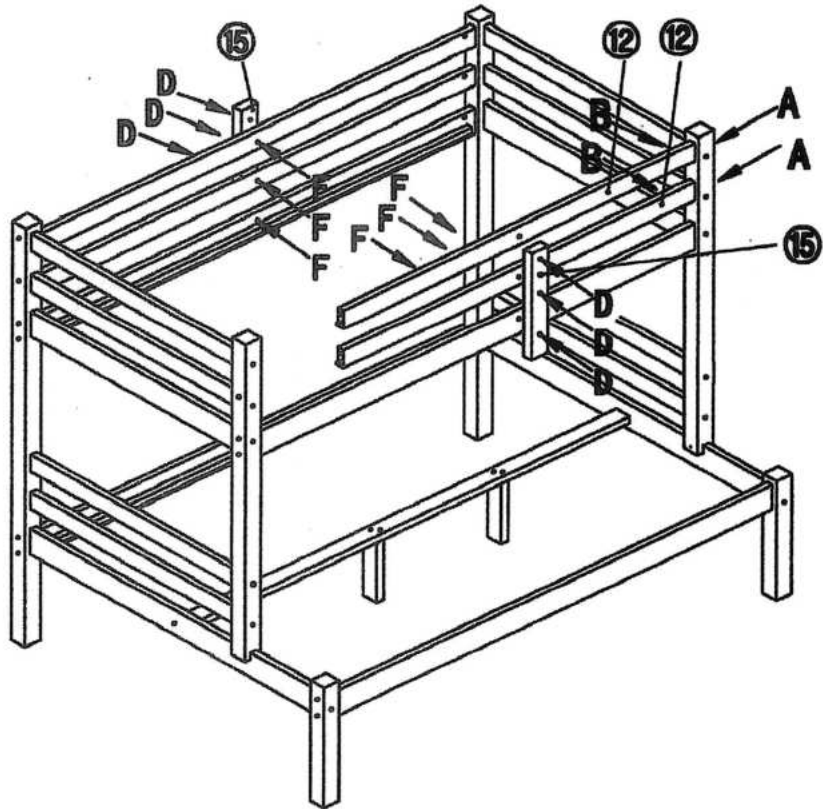
C X 4




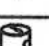


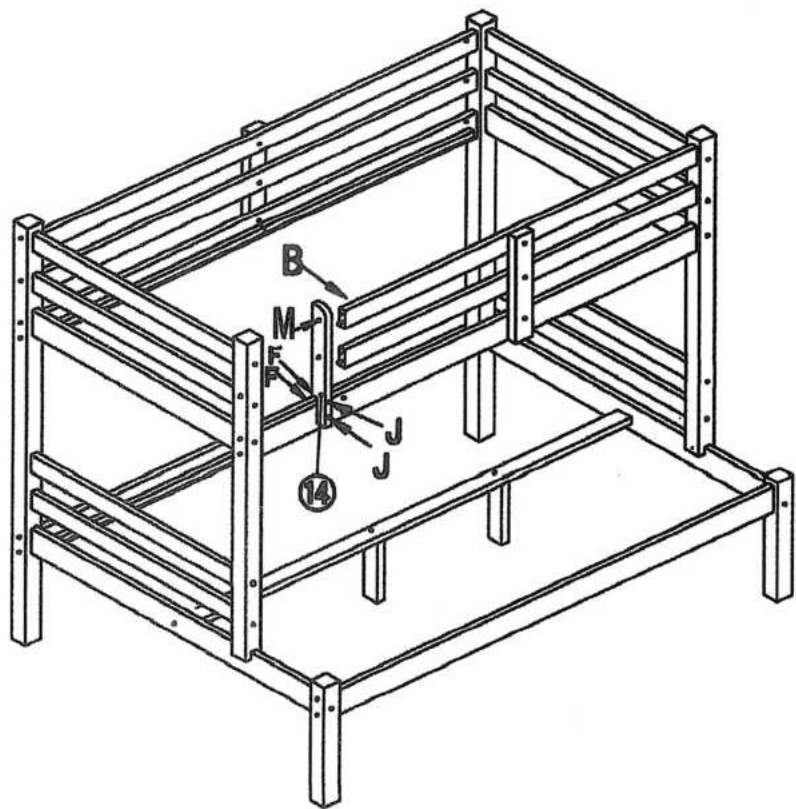
07



D X 6	 M6x30
F X 6	
A X 2	 M6x90
B X 2	



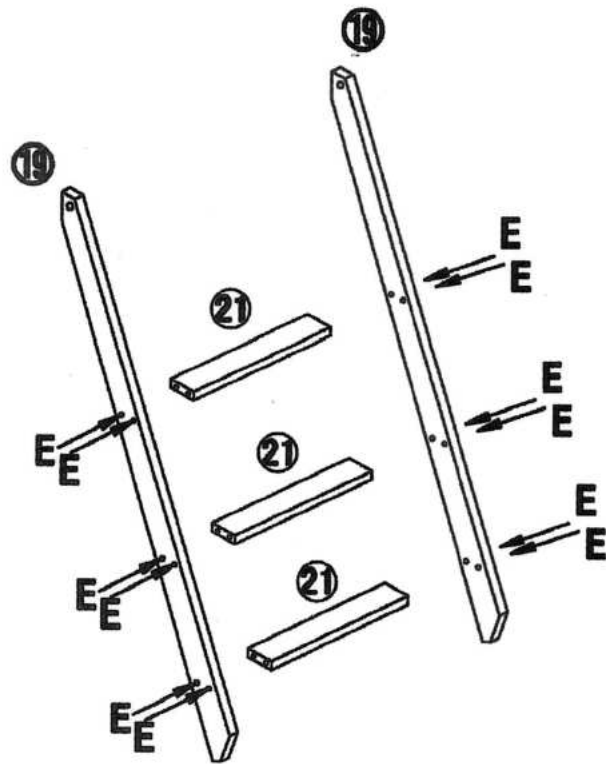
M X 1	 M6x60
F X 2	
J X 2	 M6x50
B X 1	



E X 12



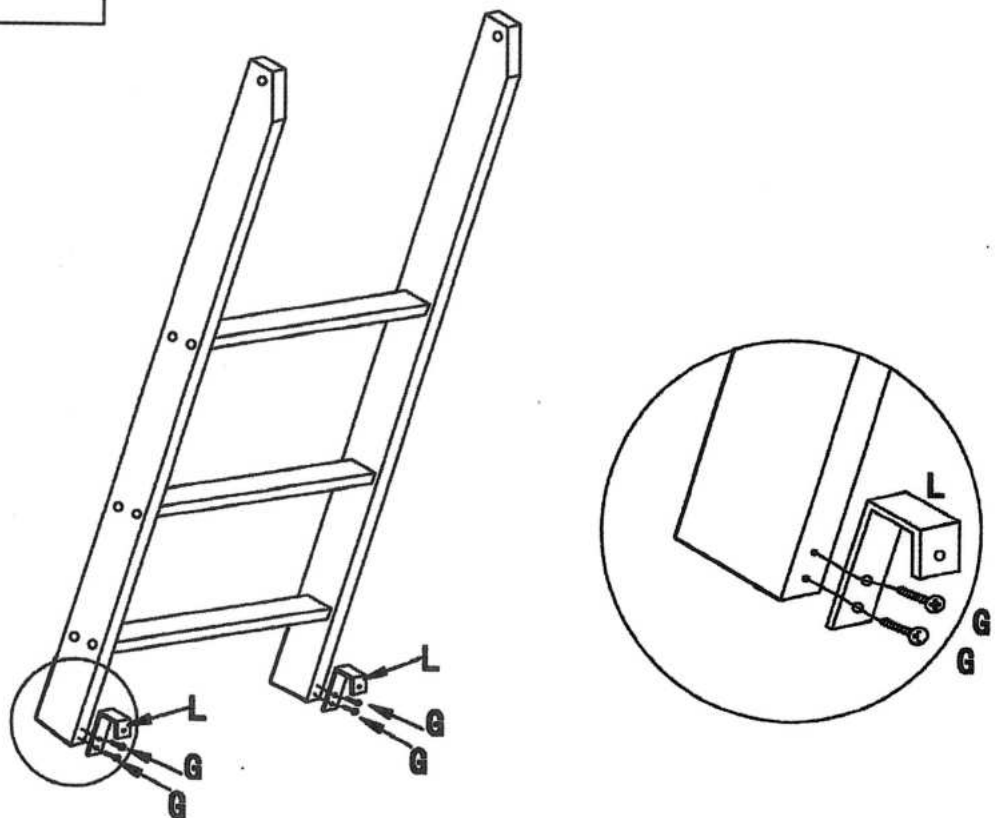
10









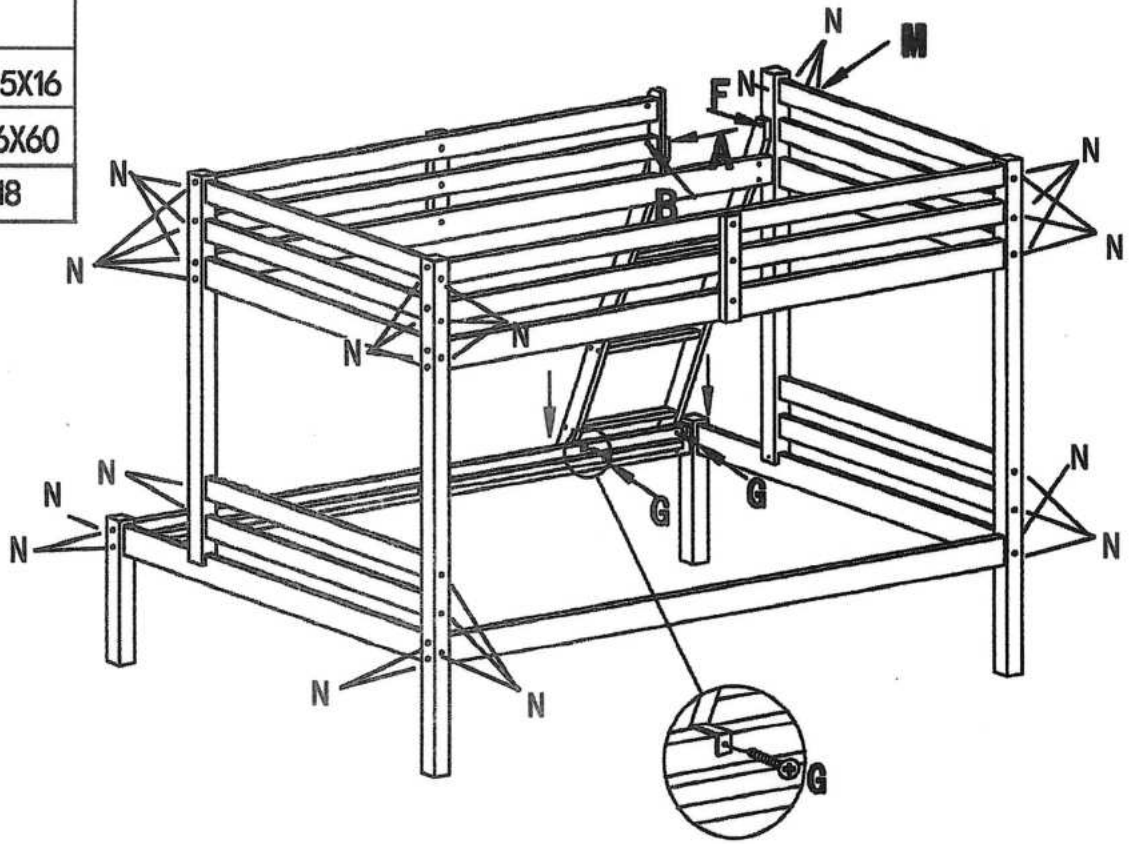
G X 4  Ø3.5X16


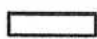
L X 2 

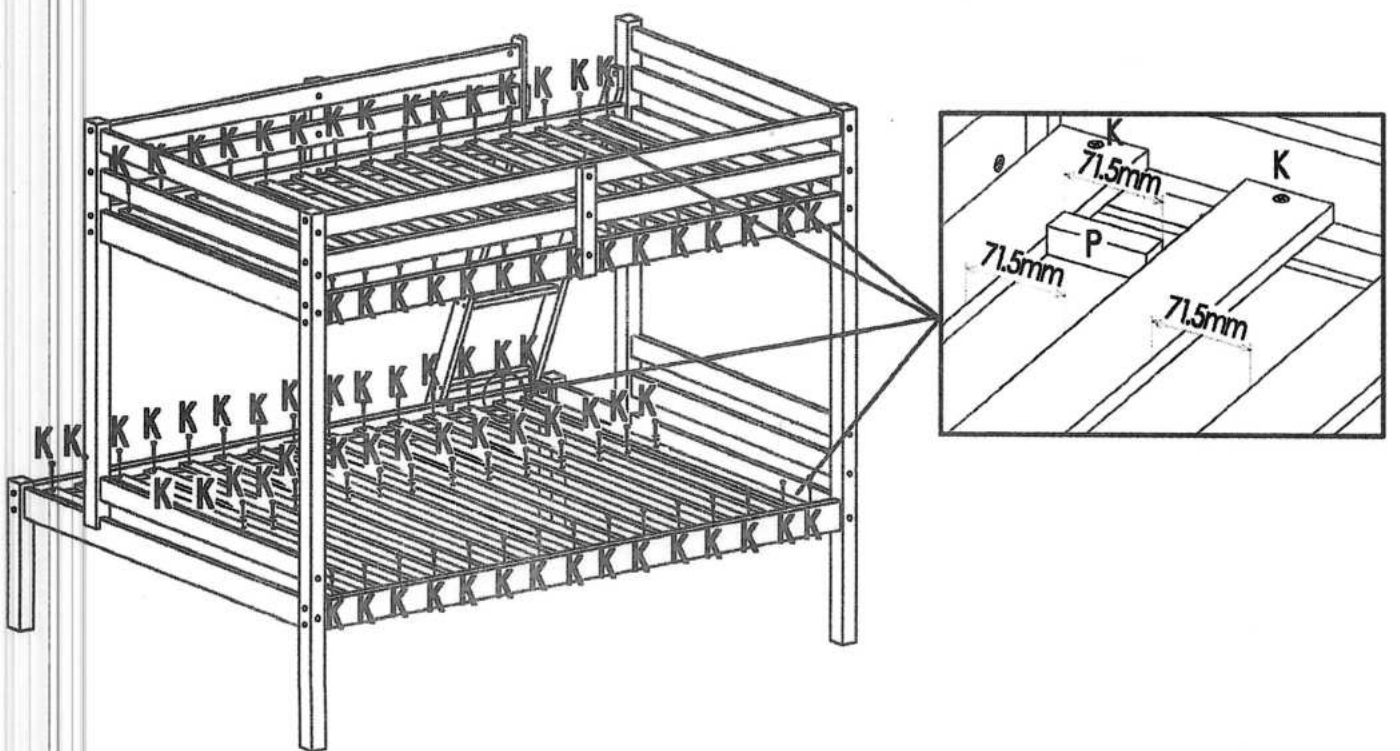
11



A X 1		M6x90
B X 1		
F X 1		
G X 2		φ3.5X16
M X 1		M6X60
N X 57		φ 18



KX75		φ4x30
Px1		71.5 mm



Please dispose of all packaging safely.

General Care & Maintenance

Wipe clean with a slightly damp cloth.
Avoid the use of all household cleaners and abrasives.

Periodically check all screw & fixings to ensure they are secure.

When moving your product, carefully lift into place. Never drag or push the product across the floor as this will cause damage to the joints. If the product is used on hard flooring, such as wood or laminated floor, you must place some protection under the legs to stop the product from moving. If this is not adhered to, it could result in failure to the product that will invalidate the warranty.

For more information on cleaning and product care visit:
<https://www.happybeds.co.uk/help-and-advice>

Notes

In the unlikely event that you have problems putting this product together or have damaged or missing parts, please contact us by visiting:
<https://www.happybeds.co.uk/customer-service>