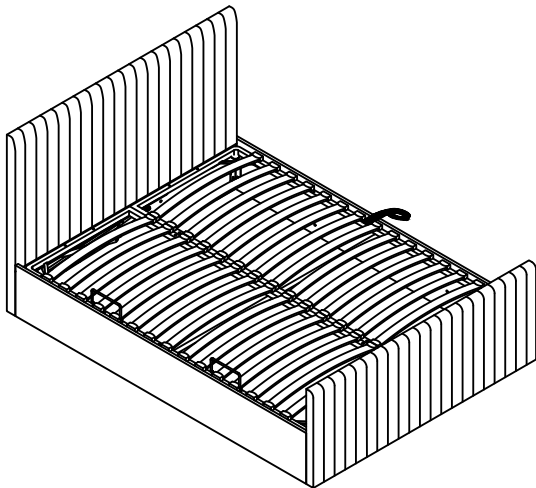
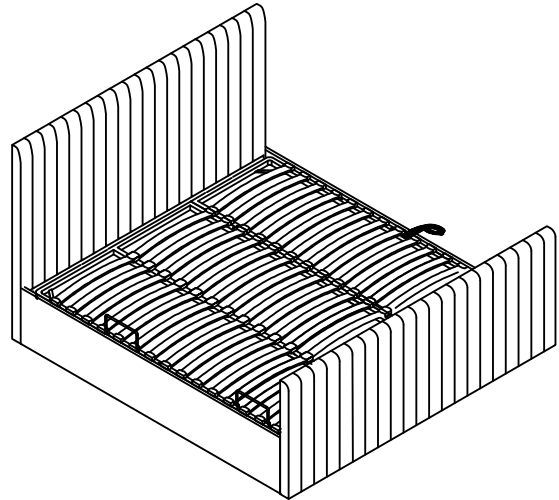


Double & King



Super King



Assembly Instructions

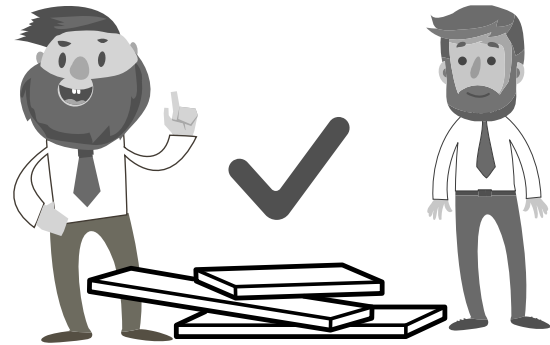
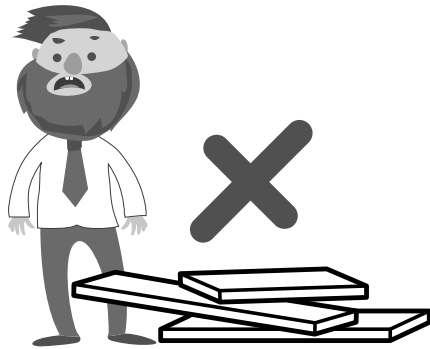
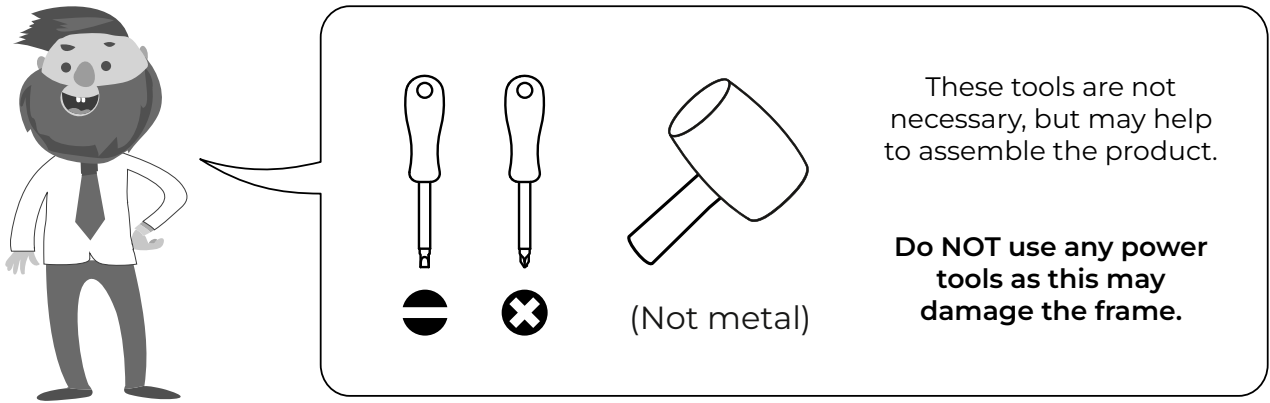
Important: Before Assembly

Please read these instructions carefully before assembling or using the product.
Please check the contents of each box before attempting to assemble this product.
The instructions will have a checklist of parts and fittings.
Assemble the product as close to its intended final location room as possible.

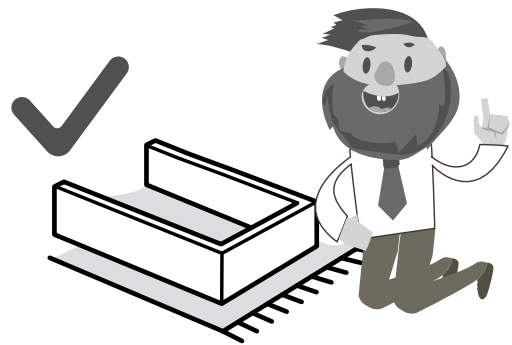
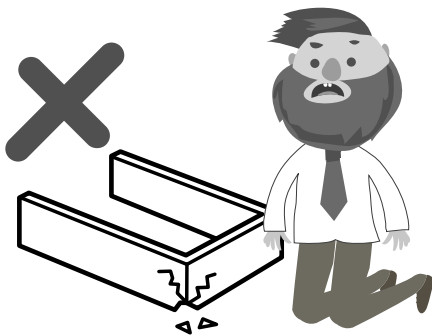
Health & Safety:

This product or some parts of this product will be heavy. Please use an assistant when lifting.
Please keep small parts out of reach of children.
Always use on a level, even surface.
DO NOT jump on the product or any of its parts.
DO NOT use this product if any parts are missing, damaged or worn.
DO NOT use this product unless all fixings are secured.

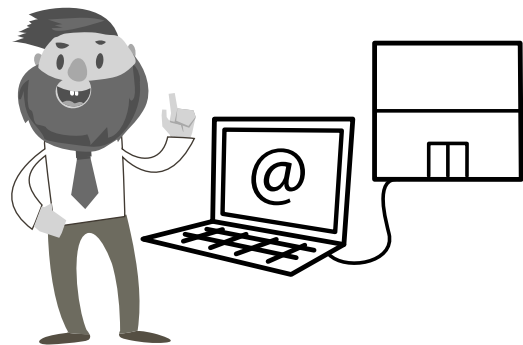
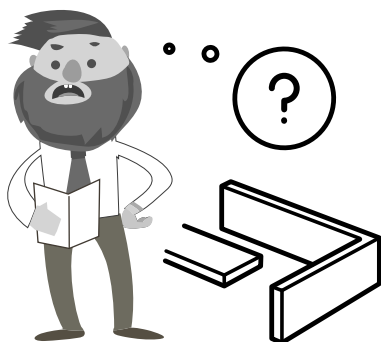
Further instructions are on the following pages
Please keep these instructions for future reference.



This product or some parts of this product will be heavy. Please use an assistant when lifting.



Never drag or push the pieces across a hard or stone floor as this will cause damage to the joints. Use a carpet or a rug for extra care.



If you have problems assembling or have damaged or missing pieces, please contact our customer services (details at the back of these instructions)



Important for Ottoman and other gas lift beds

Note:

The bed base is in the upright position when first assembled as the gas lifts are fully extended during shipment for safety. After assembly a firm downward push will be required to overcome any resistance in the gas lifts as these may initially stick. We suggest placing a mattress on top of the bed base to aide this and also test the operation of your new lift up bed by lifting and pushing down the bed base a few times to allow the lifting mechanism to bed in.

The lift mechanism provides assistance with the lift of the mattress fitted to the base. It does not lift the mattress for you. The system has been designed to effectively lift the base system fitted with a variety of mattress weights and combinations of depths. Depending on the combination of the mattress weight and depth determines the degree of assistance provided by the mechanism.

Following the installation of the mechanism lift, pull the base up and down a few times to free off the system. The gas cylinders fitted to the system may be stiff when first used or if the system has not been operated for a period of time.

Use the strap handles to lift up the mattress base using two hands. Pull the mattress base down using two hands equally spaced from the centre of the mattress base. DO NOT pull down on one side of the base only as this is likely to damage the base system with potential failure of the mattress base system and lift mechanism.

Do NOT operate the lift up mechanism without the mattress placed on the base.

Caution:

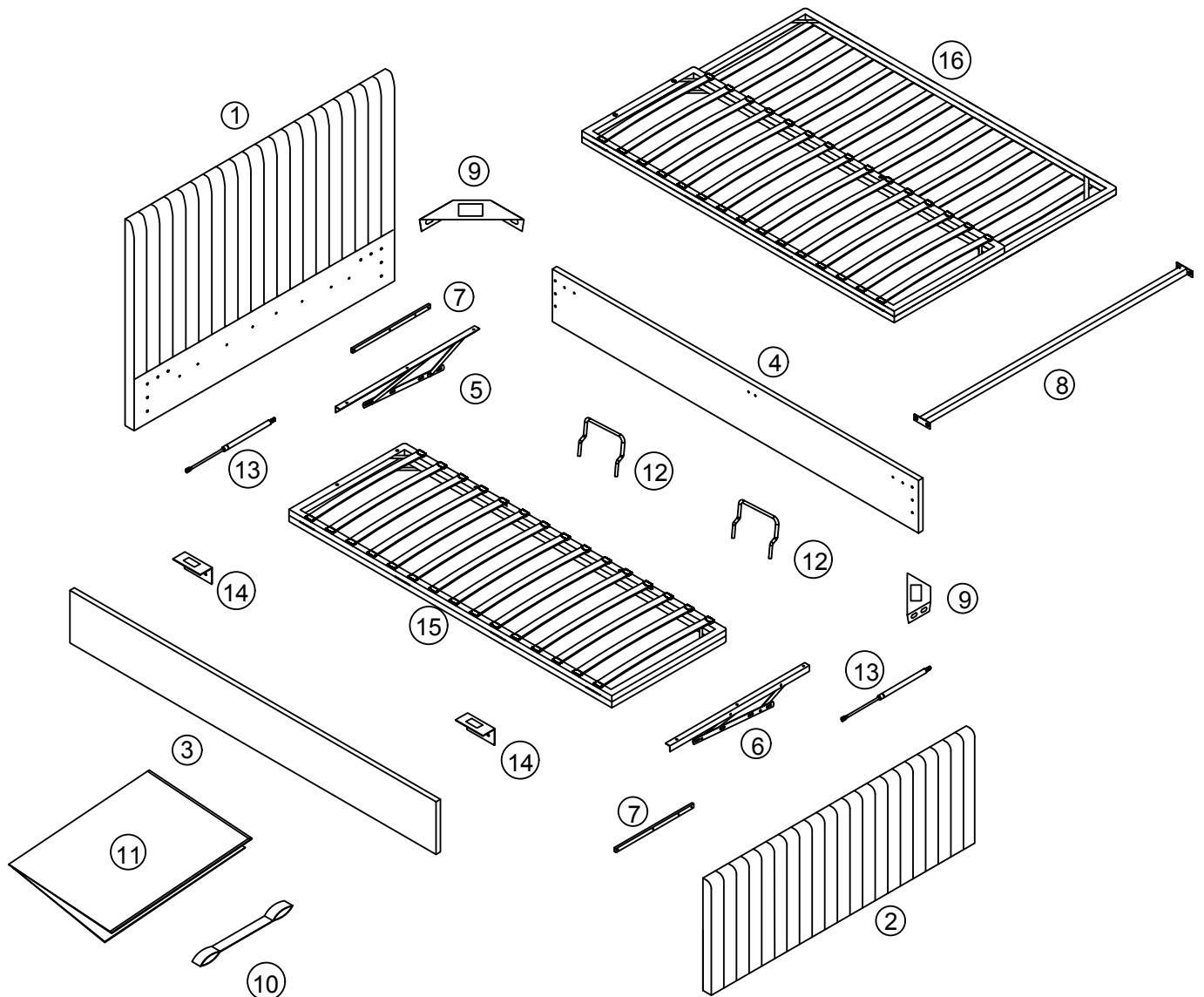
Do NOT allow children to operate the lift mechanism.
Do NOT allow children near the lift base when operating the mechanism.
Do NOT allow children in the area of the internal storage base.
Keep hands clear of the mechanism when operating the base system.
Do NOT stand inside the bed or the internal storage base.
Do NOT overload the internal storage base.

Happy beds™

www.happybeds.co.uk

No	Part List	Qty	Box
1	Headboard	1 pc	1
2	Footboard	1 pc	2
3	Side Rail -Left	1 pc	3
4	Side Rail -Right	1 pc	3
5	Gas-lift Mechanism -Left	1 pc	1
6	Gas-lift Mechanism -Right	1 pc	1
7	Spacer Rail For Gas Lift Mechanism	2 pcs	1
8	Side Rail Cross Bar	1 pc	2












No	Part List	Qty	Box
9	Angled Corner Bracket	2 pcs	1
10	Fabric Hand Strap	1 pc	2
11	Fabric Base Cover Mattress	1 pc	2
12	Stopper	2 pcs	1
13	Gas-lift Piston	2 pcs	1
14	'L' Shape Support Bracket	2 pcs	1
15	Metal Slat Frame Double/King	1 pc	2
16	Metal Slat Frame Super King	1 pc	2





Happy beds™



www.happybeds.co.uk

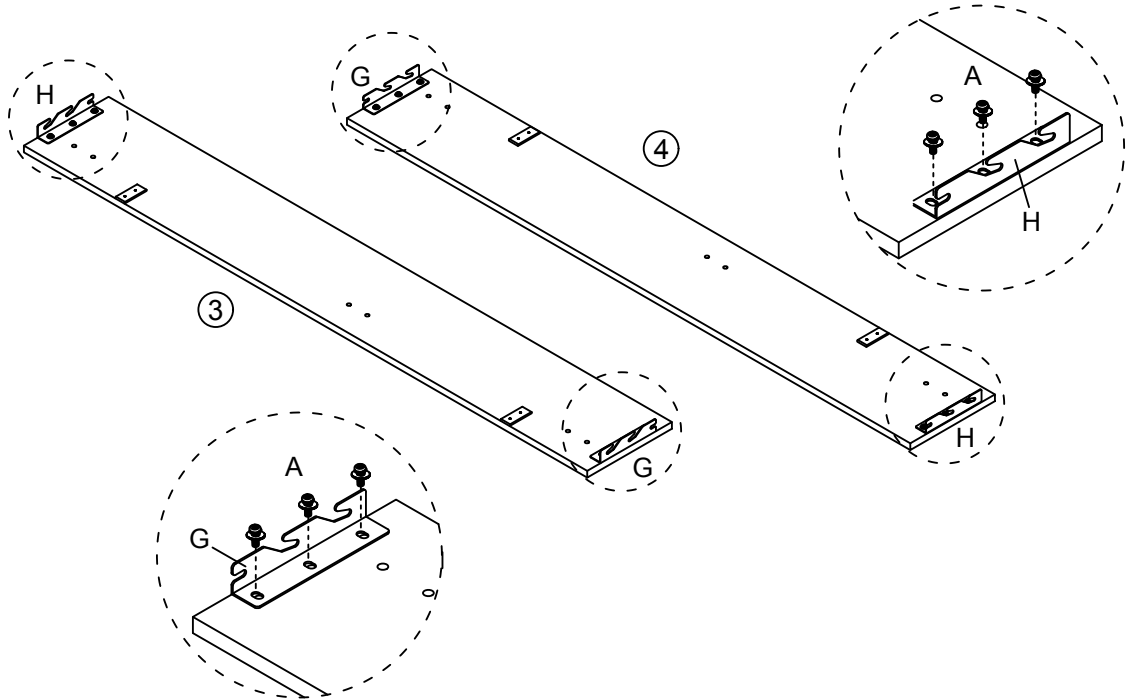
HARDWARE NEEDED FOR BED ASSEMBLY - HARDWARE PACK (A)

No	Hardware List	Qty	Box	No	Hardware List	Qty	Box
A	Bolt(M8x25mm) 	44	1	F	Flat Washer For M8 Bolts 	6 pcs	1
B	Bolt(M8x35mm) 	4	1	G	Corner Hook Bracket - Left 	2 pcs	1
C	Bolt(M8x50mm) 	10	1	H	Corner Hook Bracket- Right 	2 pcs	1
D	Flanged Lock-Nut M8 	10	1	I	Allen Key for M8 bolts 	1 pc	1
E	Spring Washer For M8 Bolts 	6	1	J	Spanner for M8 Nuts 	1 pc	1
				K	Metal Connection Plates For Slat Frame 	2 pcs	1


Step 1:


G	Corner Hook - Left		2 pcs
H	Corner Hook- Right		2 pcs

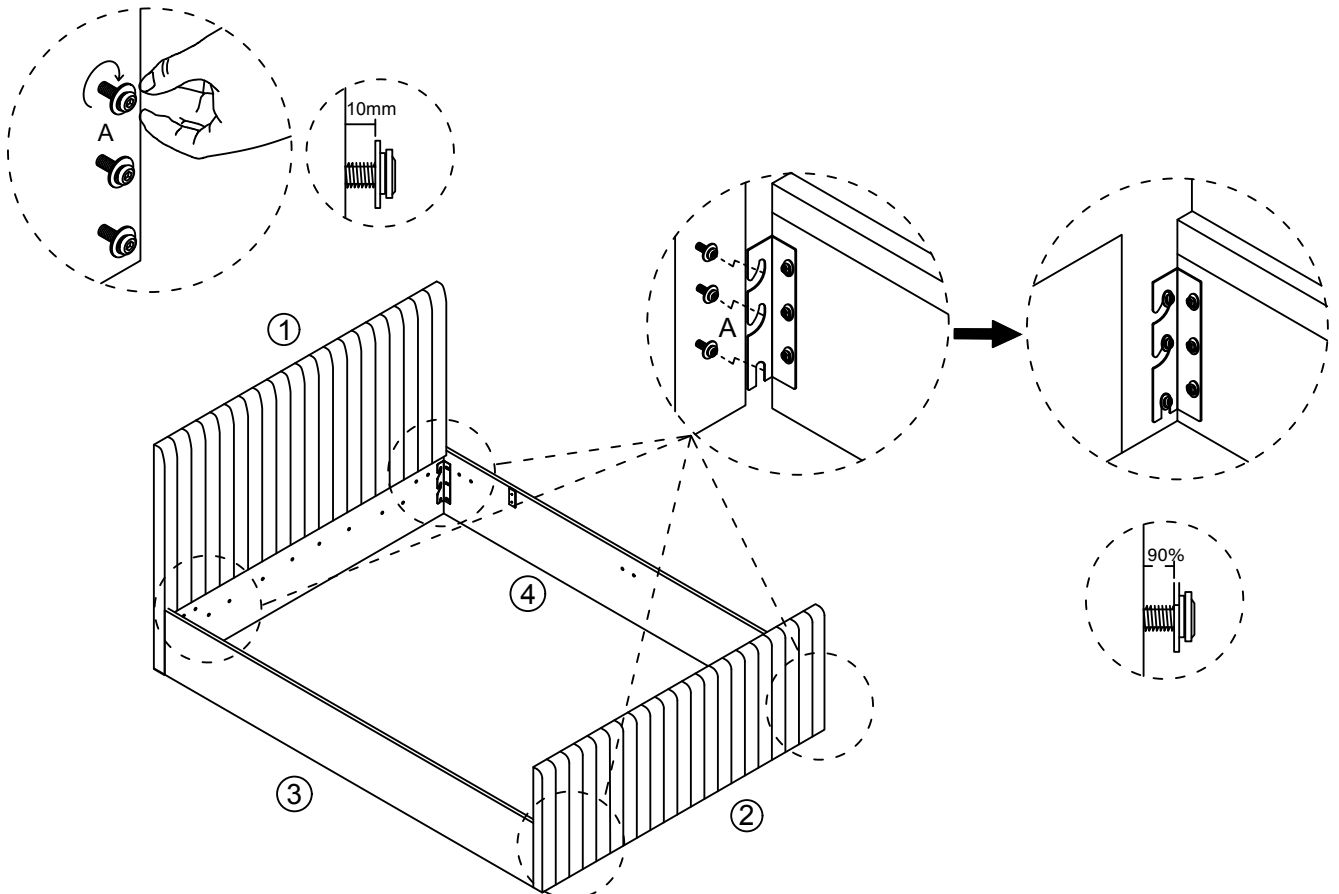
A	Bolts (M8x25mm)		12 pcs
I	Allen Key for M8 bolts		1 pc



Step 2:

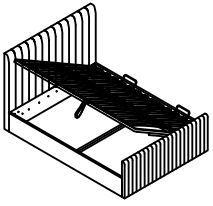
A	Bolts (M8x25mm)		12 pcs
---	-----------------	---	--------

I	Allen Key for M8 bolts		1 pc
---	------------------------	---	------

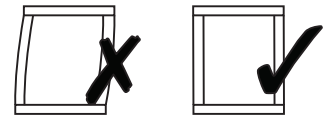
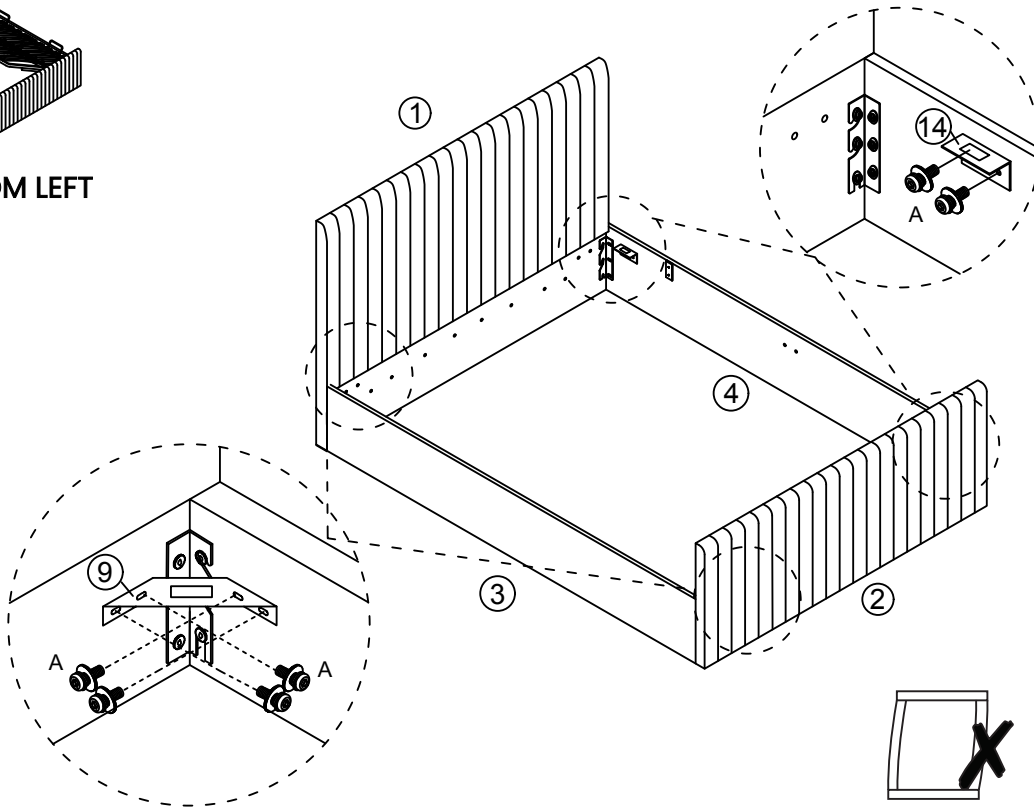


Step 3a:

A	Bolts (M8x25mm)		12 pcs	I	Allen Key for M8 bolts		1 pc
---	-----------------	---	--------	---	------------------------	---	------




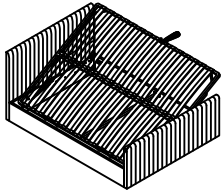
OPEN FROM LEFT



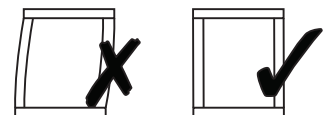
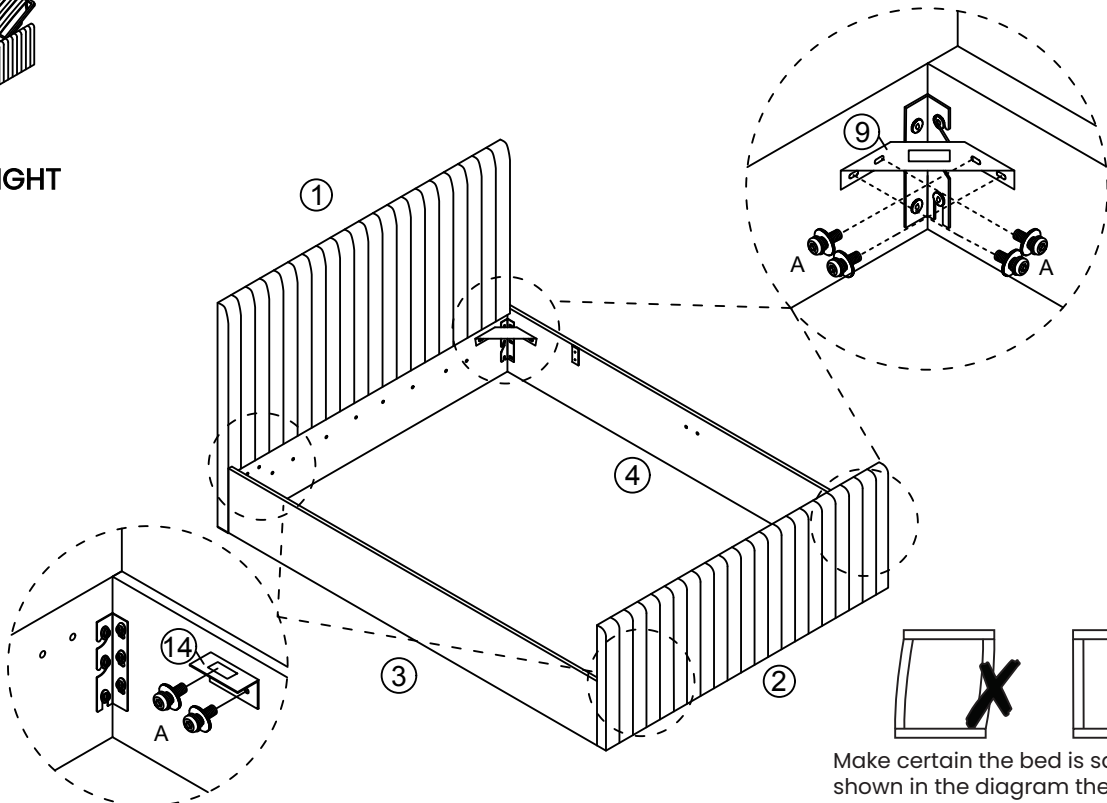
Make certain the bed is squared up as shown in the diagram then tighten all bed assembly bolts 100%.

Step 3b:

A	Bolts (M8x25mm)		12 pcs	I	Allen Key for M8 bolts		1 pc
---	-----------------	---	--------	---	------------------------	---	------





OPEN FROM RIGHT




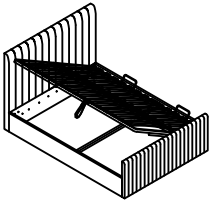
Make certain the bed is squared up as shown in the diagram then tighten all bed assembly bolts 100%.

Step 4a:

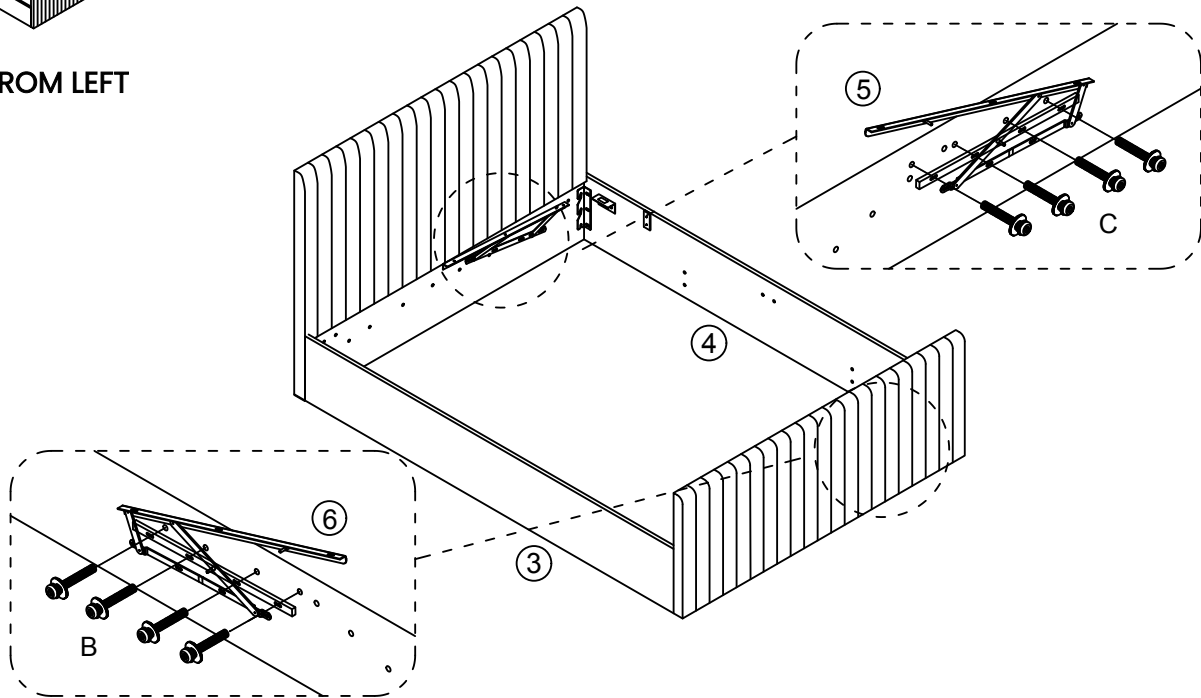
B	Bolt(M8x35mm)		4 pcs
---	---------------	--	-------

C	Bolts (M8x50mm)		4 pcs
---	-----------------	--	-------


I	Allen Key for M8 bolts		1 pc
---	------------------------	---	------





OPEN FROM LEFT

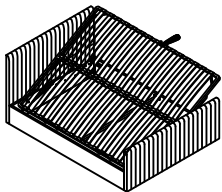


Step 4b:

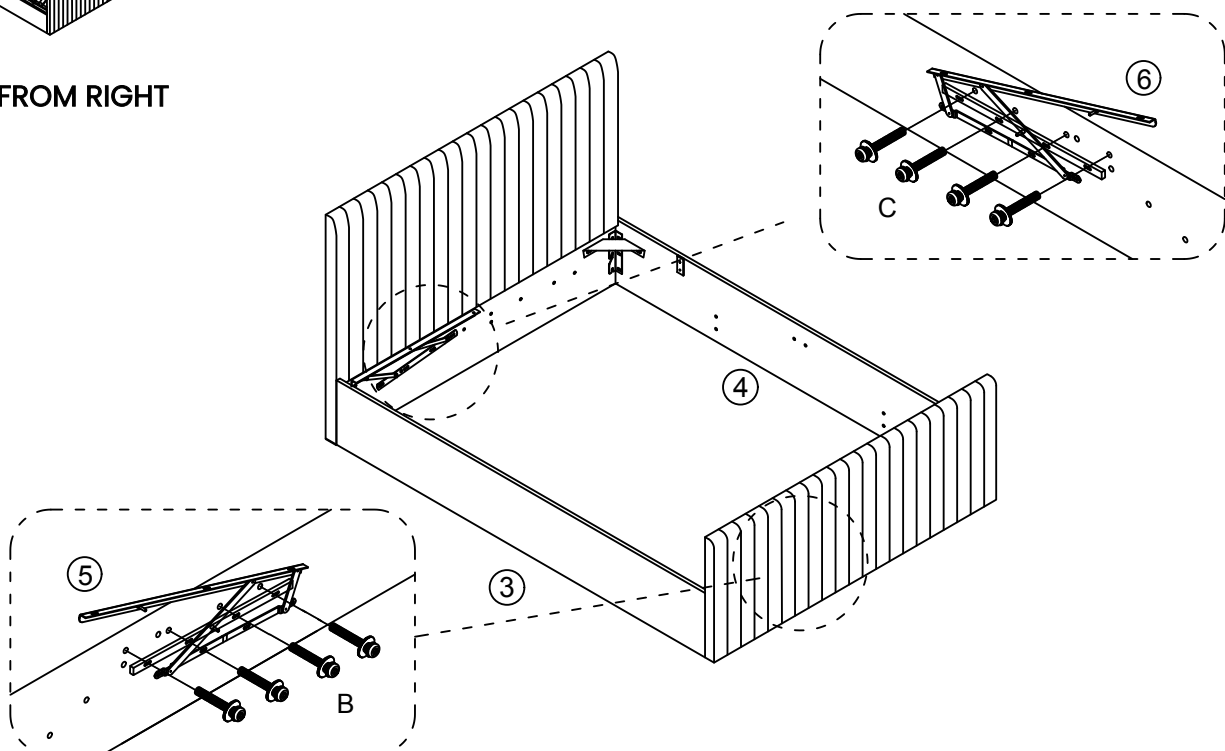
B	Bolt(M8x35mm)		4 pcs
---	---------------	---	-------

C	Bolts (M8x50mm)		4 pcs
---	-----------------	---	-------


I	Allen Key for M8 bolts		1 pc
---	------------------------	---	------



OPEN FROM RIGHT




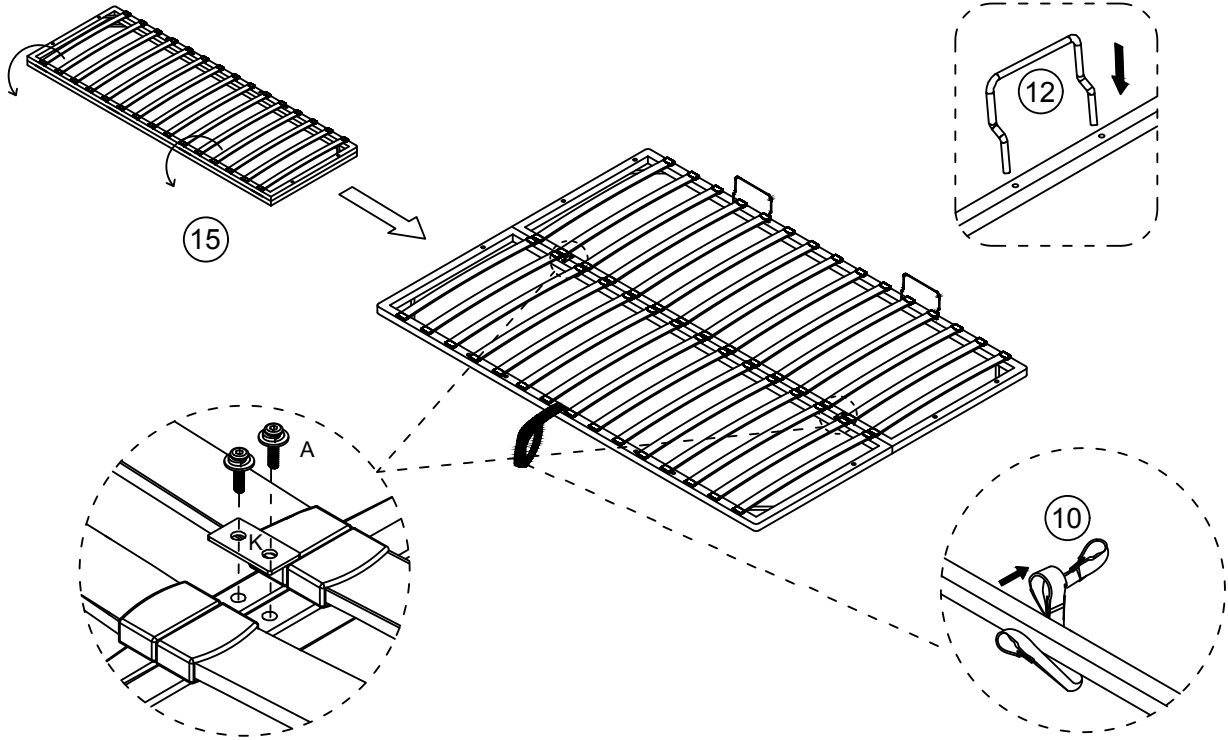
Step 5a:

A	Bolt(M8x25mm)		4 pcs
---	---------------	--	-------


K	Metal Connection Plates For Slat Frame		2 pcs
---	--	--	-------

Double/King

I	Allen Key for M8 bolts		1 pc
---	------------------------	---	------




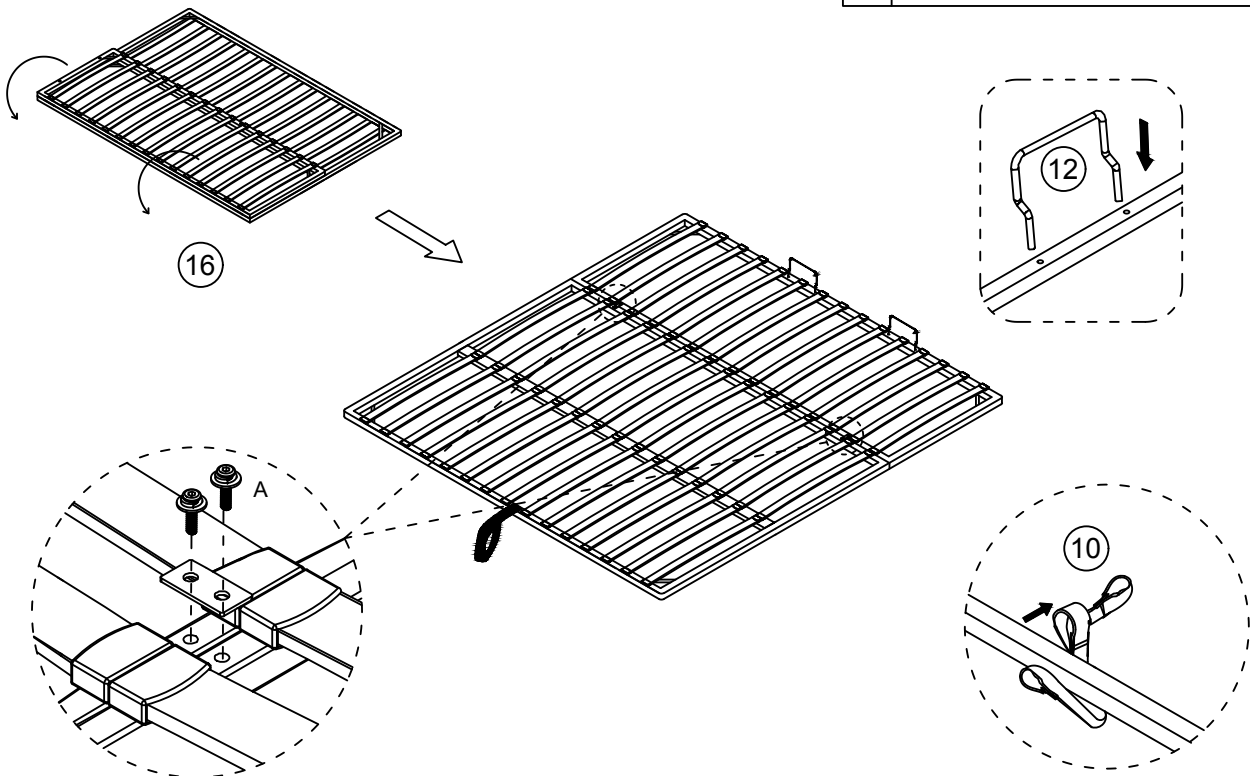
Step 5b:

A	Bolt(M8x25mm)		4 pcs
---	---------------	---	-------



K	Metal Connection Plates For Slat Frame		2 pcs
---	--	---	-------

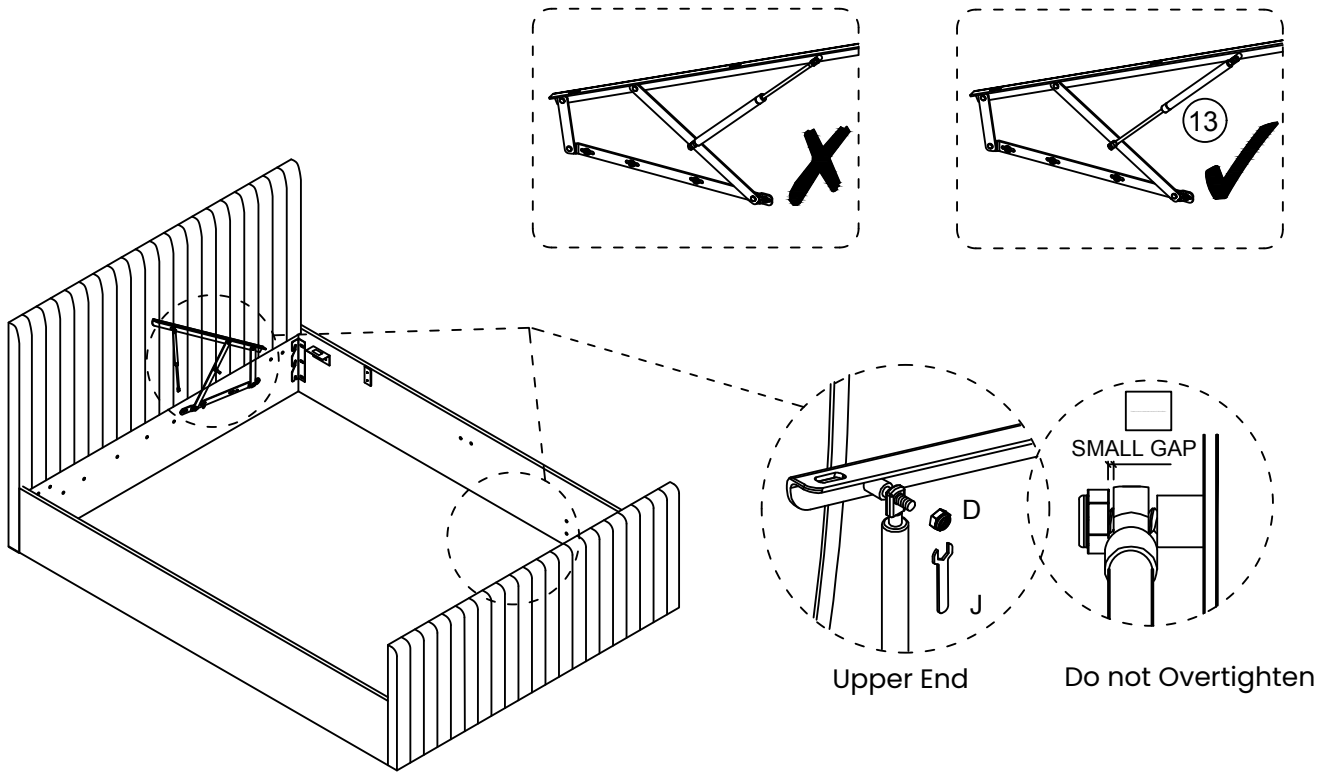
Super King

I	Allen Key for M8 bolts		1 pc
---	------------------------	---	------









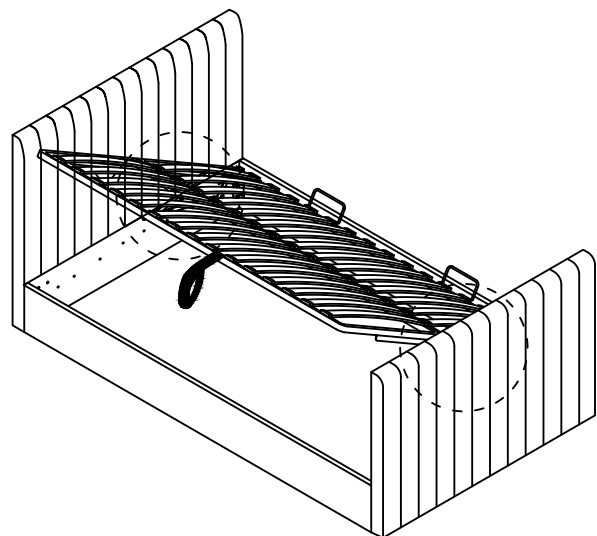
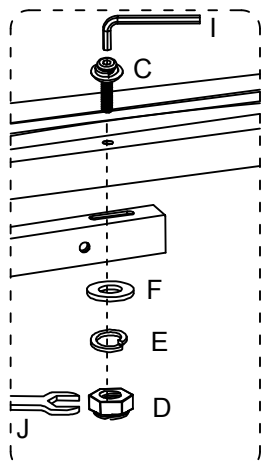
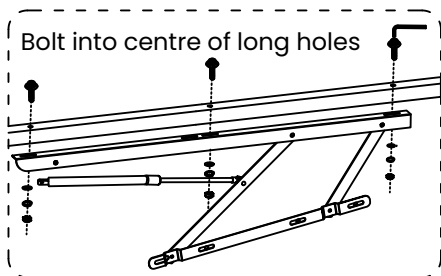
Step 6:

D	Flanged Lock-Nut M8 	2 pcs	J	Spanner for M8 Nuts 	1 pc
---	---	-------	---	---	------





Step 7:

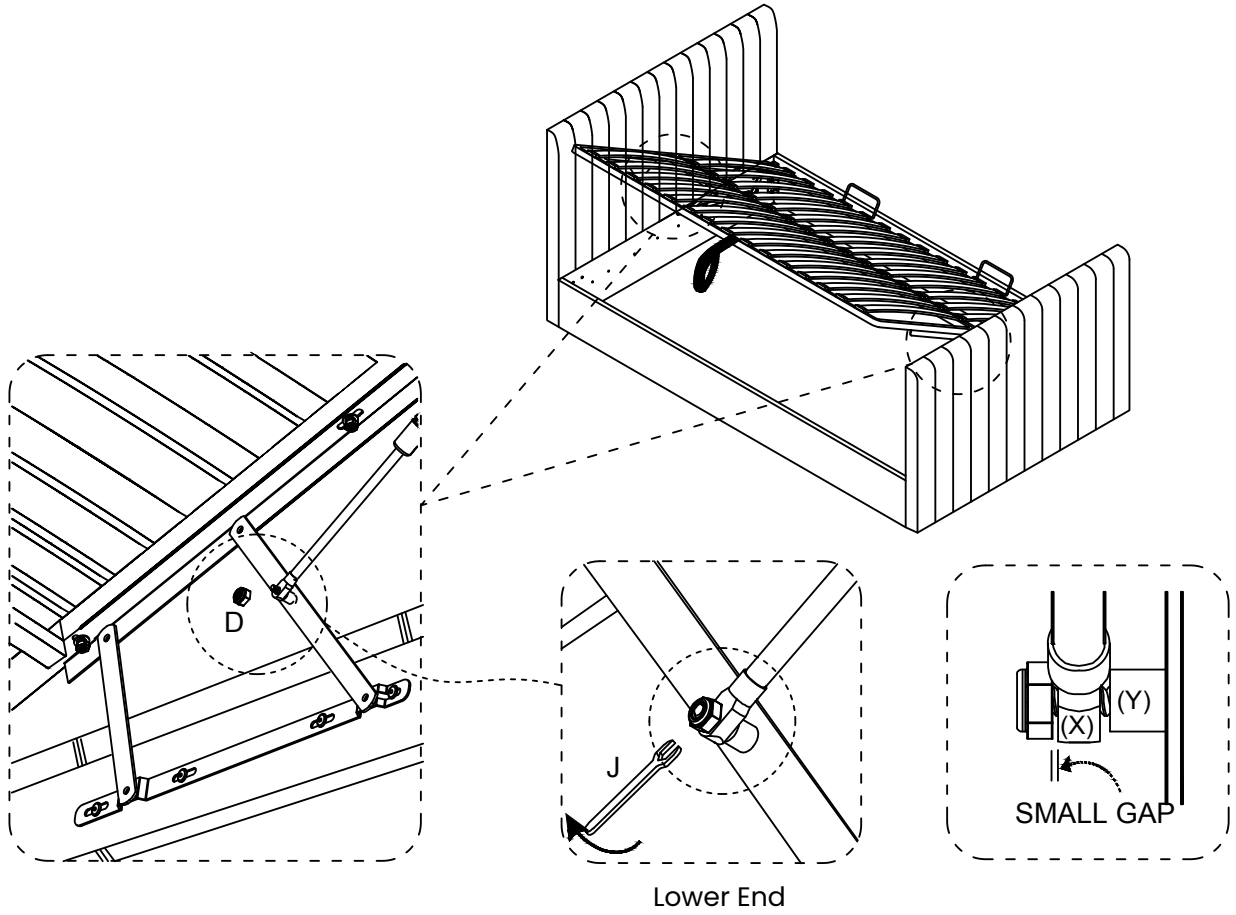
C	Bolts (M8x50mm) 	6 pcs	F	Flat Washer 	6 pcs
D	Flanged Lock-Nut M8 	6 pcs	J	Spanner for M8 Nuts 	1 pc
E	Spring Washer 	6 pcs	I	Allen Key for M8 bolts 	1 pc



Loosely fit three bolt sets on each side (C, F, E, D), carefully hold frame down and align so there even gaps at each side, then tighten all bolts 100%.

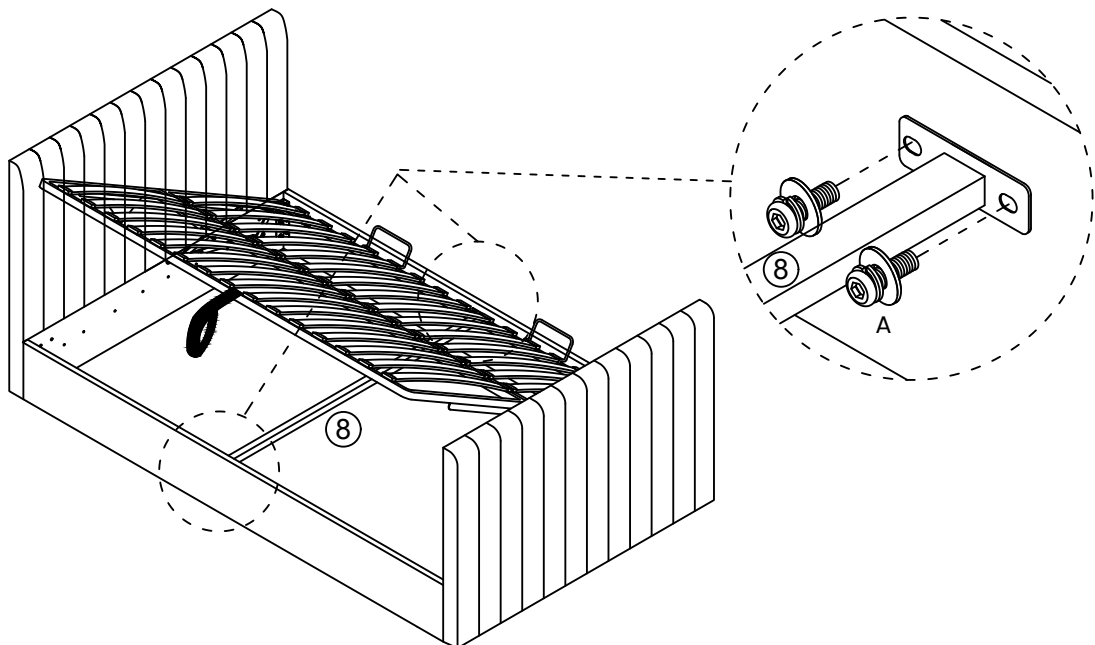
Step 8:

D	Flanged Lock-Nut M8		2 pcs	J	Spanner for M8 Nuts		1 pc
---	---------------------	---	-------	---	---------------------	---	------

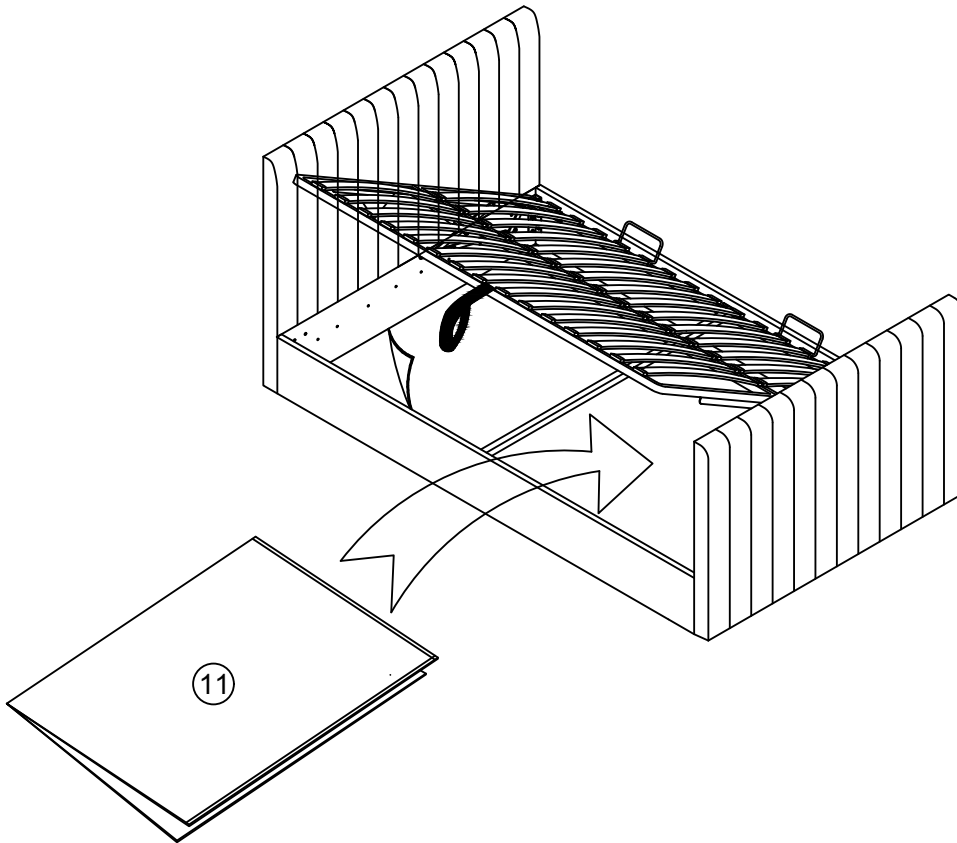


Step 9:


A	Bolts (M8x25mm)		4 pcs	I	Allen Key for M8 bolts		1 pc
---	-----------------	---	-------	---	------------------------	---	------




Step 10:





Step 11:

 **Adult Operation Only:** Not recommend for use by under 12 years old. Please note ease of operation is dependent on height and strength of user.

Avoid Entrapment: Always lift the bed with the mattress in place, using the handle to lift and lower the base, keeping clear of the mechanism.

 **Don't lift without mattress**

 **Always lift with mattress in place**

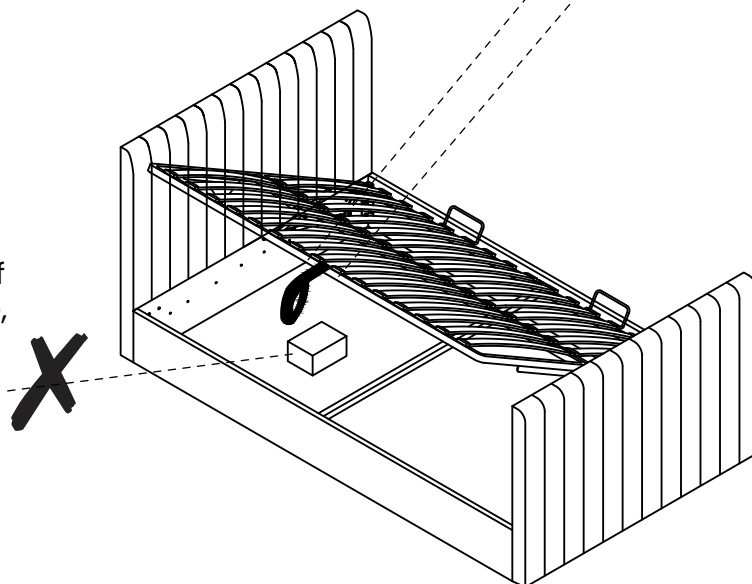
 **Fully Open Ottoman:** Ensure the ottoman is fully open before accessing the storage area.

Avoid Hinge Area: Do not reach into the storage area through the hinge mechanism.

Keep Children and Pets Away: Ensure children and pets stay away from the storage area. Donot stand inside the internal storage area of the bed.

Maintenance: Regularly inspect your bed to ensure it is functioning correctly.

Note: Be very careful what you store under the bed – the top of an item, like a box or a suitcase, must not touch the slats or they may be damaged. Maximum storage height is 240mm.



Technical Specifications

Overall Dimensions (LWH mm)

Double:	2100 x 1445 x 1200
King:	2200 x 1595 x 1200
Super King:	2200 x 1895 x 1200

Storage Dimensions (LWH mm)

Double:	1930 x 1375 x 245
King:	2030 x 1525 x 245
Super King:	2030 x 1825 x 245

Distance between slats

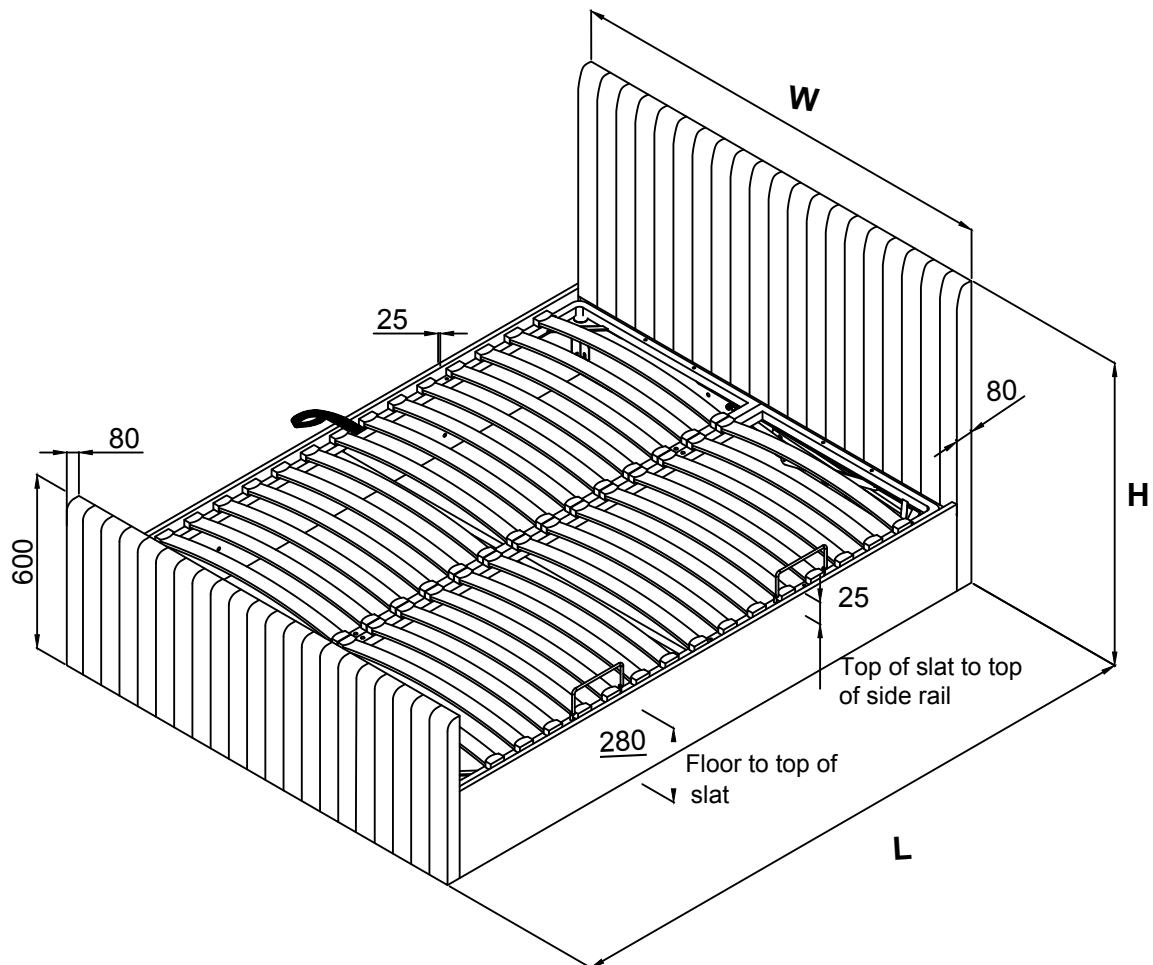
68mm

Ottoman Piston Rating

Double & King:	800N
Super King:	900N

Slat Dimensions (LWH mm)

Double:	665 x 53 x 9
King:	740 x 53 x 9
Super King:	590 x 53 x 9



Important for Ottoman and other gas lift beds

Please follow these final steps to ensure the best experience with your new bed

- Please ensure the pistons are fitted to the bed frame.
- Please place the mattress on top of the bed frame.
- Standing at the foot of the frame (looking at the headboard) open the base and the press quite forcefully down on the mattress - please do not attempt to do this without the mattress being in place.
- Please do not pull on the strap handles.
- Please note as the pistons are full of gas - you will need to press heavily to release the compressed gas.
- Once done the pistons should start operating as normal.



IMPORTANT OTTOMAN SAFETY WARNINGS Cont.

- Use caution when operating, always use the handle when lifting.
- Note: This bed uses a pressurised mechanism.
- To be operated by adults only.
- Please ensure that children and pets are kept away from the bed when operating the lift mechanism.
- Keep children and pets away from the storage area.
- Do not overload the internal storage base.
- Do not stand inside the internal storage area of the bed.
- Before removing the mattress secure the frame to ensure it does not open unexpectedly.
- Do not attempt to lie on the mattress when the ottoman is in the raised position.

Please dispose of all packaging safely.

General Care & Maintenance

Wipe clean with a slightly damp cloth.

Avoid the use of all household cleaners and abrasives.

Periodically check all screw & fixings to ensure they are secure.

When moving your product, carefully lift into place. Never drag or push the pieces across the floor as this will cause damage to the joints and could result in failure to the product that will invalidate the warranty.

For more information on cleaning and product care visit:

<https://www.happybeds.co.uk/help-and-advice>

Notes:

We've tried to make this product as easy to assemble as possible. In the unlikely event that you have problems putting it together or have damaged or missing pieces, please contact us by visiting:

<https://www.happybeds.co.uk/customer-service>