

Assembly Instructions

Important before assembly:

Read these instructions carefully before assembling or using the product.

Please check the contents of the boxes before attempting to assemble this product. The instructions will have a checklist of parts and fittings.

Assemble the product as close to its intended final location/room as possible.

Health & Safety:

This product or some parts of this product will be heavy. Please use an assistant when lifting.

Please keep small parts out of reach of children.

Always use on a level, even surface.

DO NOT jump on the product or any of its parts.

DO NOT use this product if any parts are missing, damaged or worn.

DO NOT use this product unless all fixings are secured.

Further instructions are on the following pages.

Please keep these instructions for future reference.



This product or some parts of this product will be heavy. Please use an assistant when lifting.



Never drag or push the pieces across a hard or stone floor as this will cause damage to the joints. Use a carpet or a rug for extra care.



If you have problems assembling or have damaged or missing pieces, please contact our customer services (details at the back of these instructions)



Important for Ottoman and other gas lift beds

Note:

The bed base is in the upright position when first assembled as the gas lifts are fully extended during shipment for safety. After assembly a firm downward push will be required to overcome any resistance in the gas lifts as these may initially stick. We suggest placing a mattress on top of the bed base to aide this and also test the operation of your new lift up bed by lifting and pushing down the bed base a few times to allow the lifting mechanism to bed in.

The lift mechanism provides assistance with the lift of the mattress fitted to the base. It does not lift the mattress for you. The system has been designed to effectively lift the base system fitted with a variety of mattress weights and combinations of depths. Depending on the combination of the mattress weight and depth determines the degree of assistance provided by the mechanism.

Following the installation of the mechanism lift, pull the base up and down a few times to free off the system. The gas cylinders fitted to the system may be stiff when first used or if the system has not been operated for a period of time.

Use the strap handles to lift up the mattress base using two hands. Pull the mattress base down using two hands equally spaced from the centre of the mattress base. DO NOT pull down on one side of the base only as this is likely to damage the base system with potential failure of the mattress base system and lift mechanism.

Do NOT operate the lift up mechanism without the mattress placed on the base.

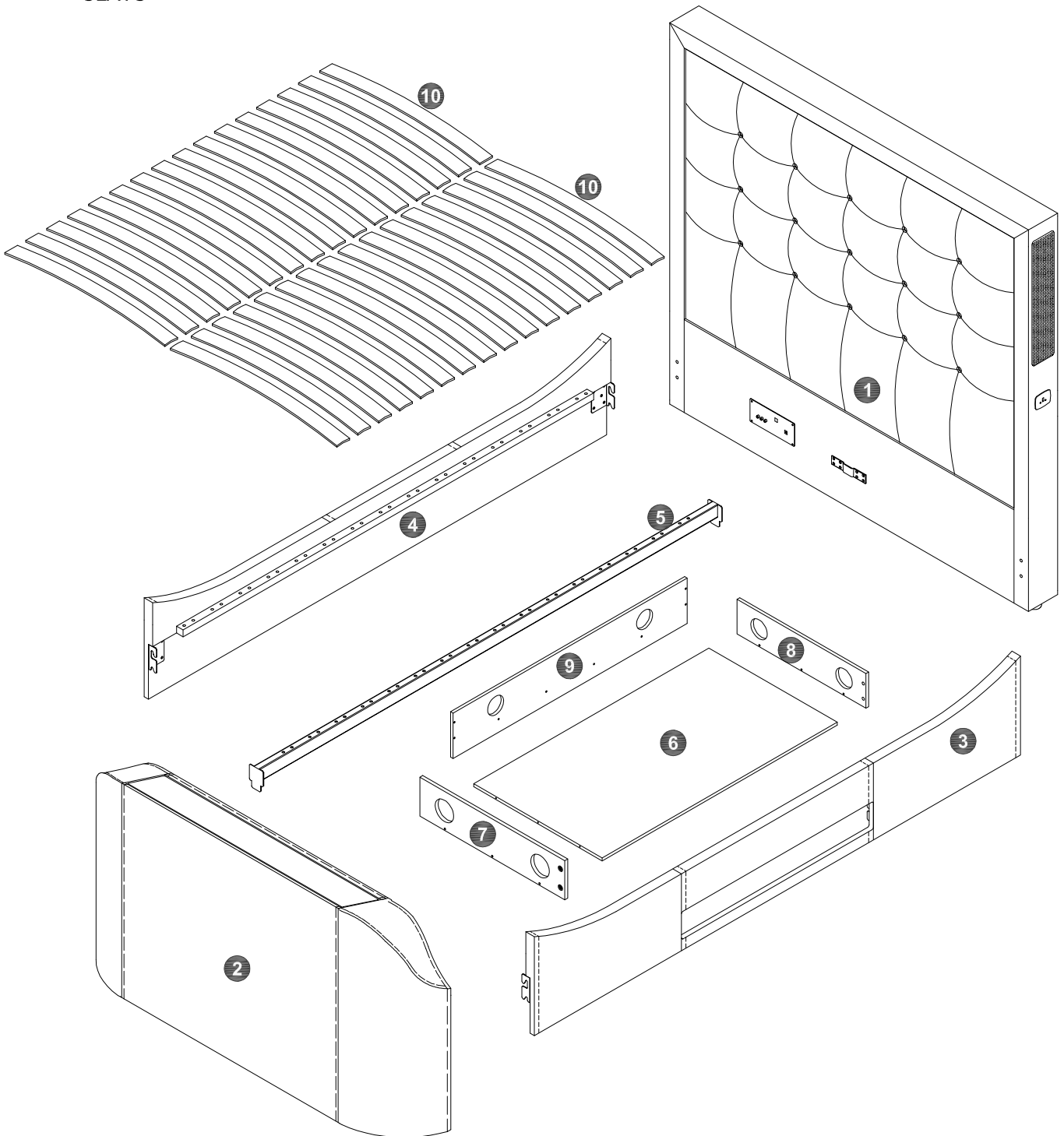
Caution:

Do NOT allow children to operate the lift mechanism.
Do NOT allow children near the lift base when operating the mechanism.
Do NOT allow children in the area of the internal storage base.
Keep hands clear of the mechanism when operating the base system.
Do NOT stand inside the bed or the internal storage base.
Do NOT overload the internal storage base.

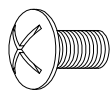
PARTS LIST

NO.	PART LISTS	QTY
1	HEADBOARD	1
2	FOOTBOARD	1
3	SIDE RAIL-1	1
4	SIDE RAIL-2	1
5	CENTRE RAIL	1
6	DVD/ MEDIA COMPARTMENT BASE	1
7	DVD/ MEDIA COMPARTMENT SIDE PANEL (LEFT)	1
8	DVD/ MEDIA COMPARTMENT SIDE PANEL (RIGHT)	1
9	DVD/ MEDIA COMPARTMENT REAR PANEL	1
10	SLATS	32

CARTON 1 CONSISTS OF PART : 1
 CARTON 2 CONSISTS OF PART : 2, HARDWARE , AI
 CARTON 3 CONSISTS OF PART : 3, 4, 5, SCREW DRIVER
 CARTON 4 CONSISTS OF PART : 6, 7, 8, 9, HARDWARE
 CARTON 5 CONSISTS OF PART : 10, SLAT CAPS

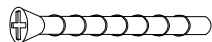


HARDWARE LIST



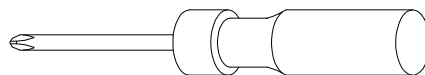
4x
M8 X 16mm

A
BOLT

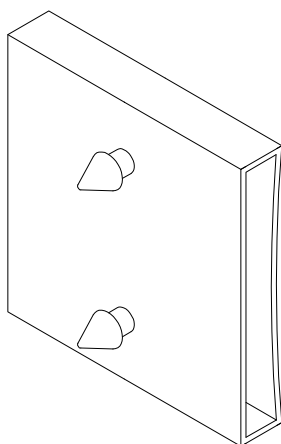


14x
M5 X 35mm

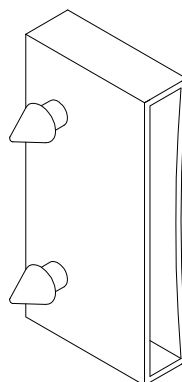
B
SCREW



1x
C
SCREW DRIVER
(4" x 5mm)

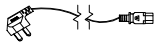


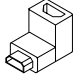


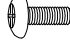
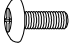
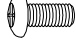





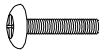
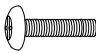
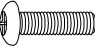
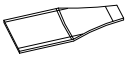


16x
D
CENTRE CAP

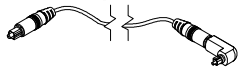
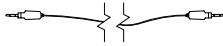
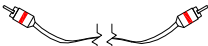
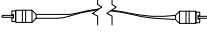
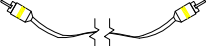
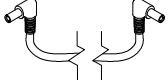

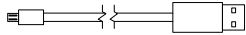


32x
E
END CAP

Hardware List-TV Lift & TV Connection (in Carton 2)

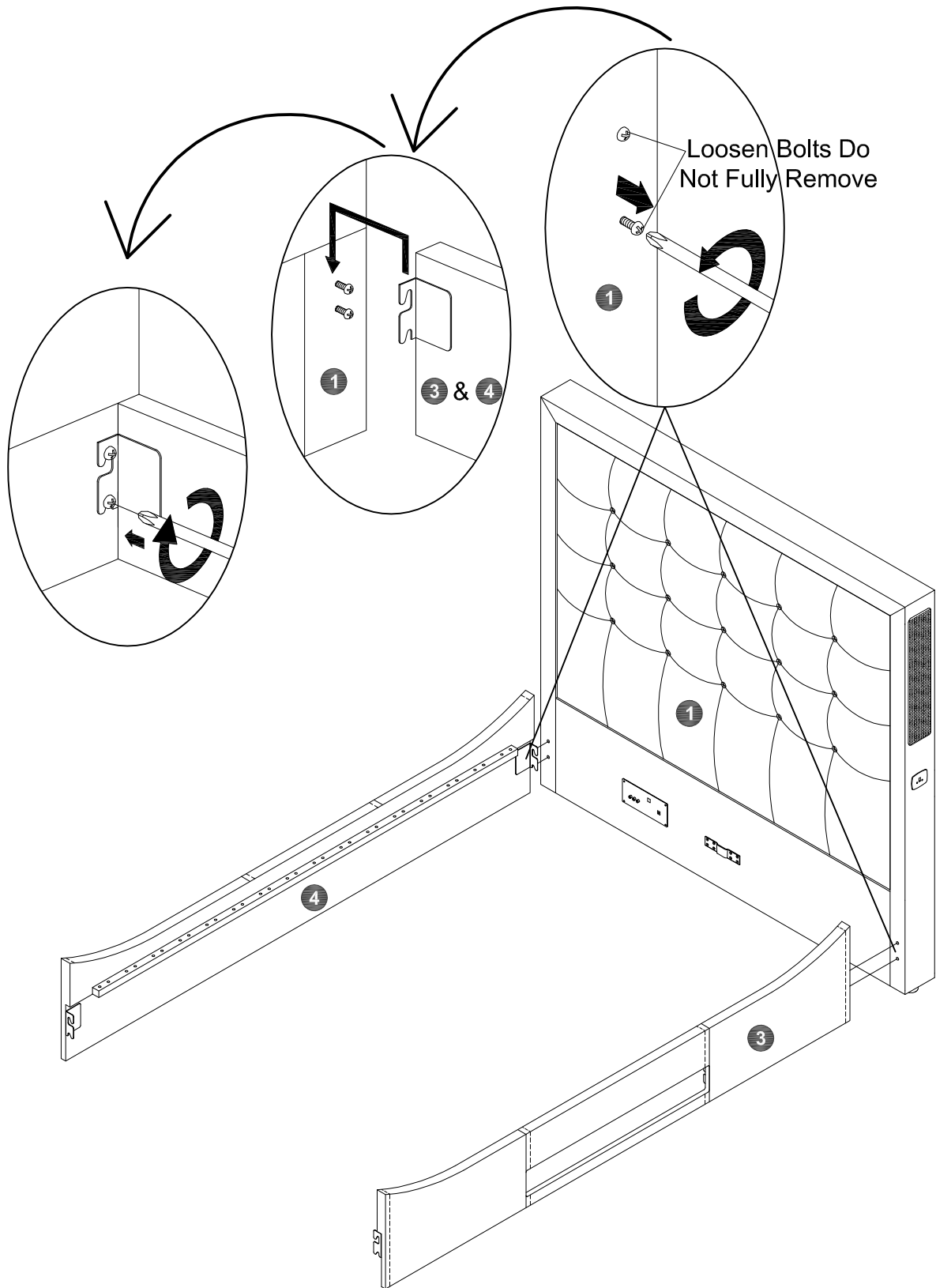
<p>(13) TV lift up mechanism AC/ power cable power plug x 1</p> 	<p>(14) Cable Clip x 2</p> 	<p>(15) Aerial connection x 1</p> 	<p>(16) 90 degree HDMI adaptor x 1</p> 
<p>(17) Allen Key M4 x 1</p> 	<p>(18) PH Screw M4 x 20mm x 2</p> 	<p>(19) PH Screw M5 x 20mm x 2</p> 	<p>(20) PH Screw M6 x 20mm x 2</p> 
<p>(21) PH Screw M8 x 20mm x 2</p> 	<p>(22) M5 Washer x 2</p> 	<p>(23) M6 Washer x 2</p> 	<p>(24) M8 Washer x 2</p> 
<p>(25) Plastic Collar x 6</p> 	<p>(26) PH Screw M4 x 40mm x 2</p> 	<p>(27) PH Screw M5 x 40mm x 2</p> 	<p>(28) PH Screw M6 x 40mm x 2</p> 
<p>(29) PH Screw M8 x 40mm x 2</p> 	<p>(30) Wireless Remote Control Pocket x 1</p> 		

Audio / Speaker System Connection Hardware (in Carton 2)

<p>(X + XI) Optical Cable with Optical Adaptor Head x 1</p> 	<p>(XII) Aux Cable x 1</p> 	<p>(XIII) RCA Cable-Red x 1</p> 	<p>(XIV) RCA Cable-White x 1</p> 
<p>(XV) RCA Cable-Yellow x 1</p> 	<p>(XVI) Power Cable x 1</p> 	<p>(XVII) Wireless Remote Control x 1</p> 	<p>(XVIII) USB Micro-B (Male) charger cable x 1</p> 

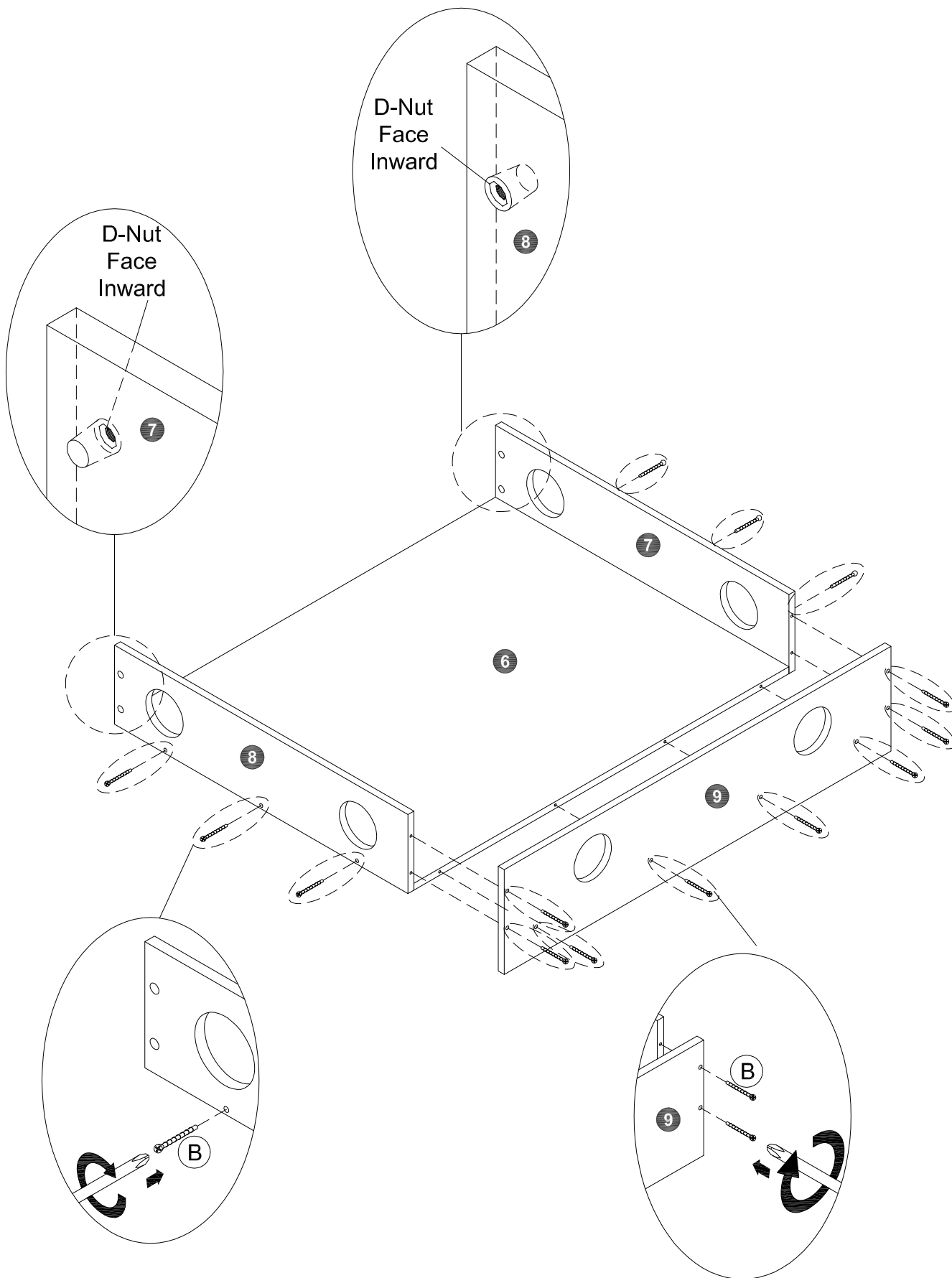
STEP 1

- Before assembly please decide which side you require the "DVD / Media Compartment " Part '3' side rail with opening and place it at that side.
- Loosen the bolts located in the head end. (Note: only loosen the bolts Do NOT remove them.)
- Hook the side rail over the bolts as shown.
- Repeat the action on the opposite side.



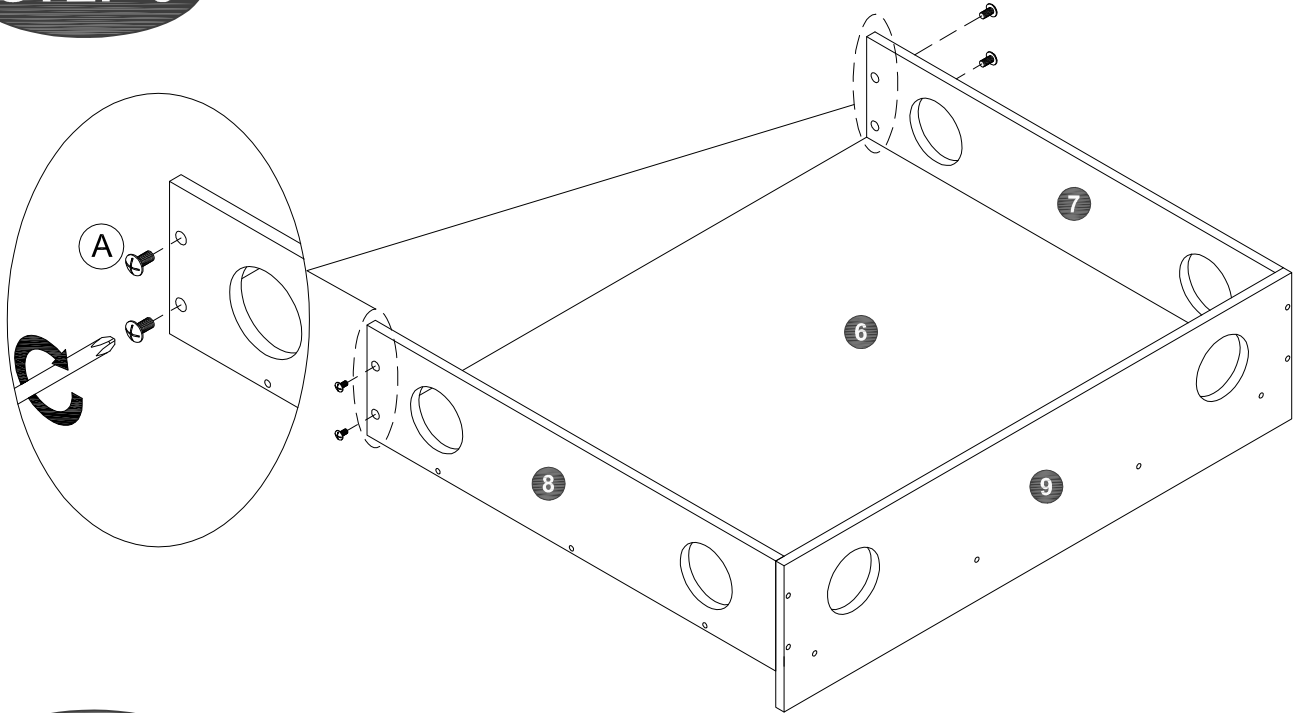
STEP 2

- Attach "DVD / Media Compartment" side and back panels to "DVD / Media Compartment" base panel as shown.



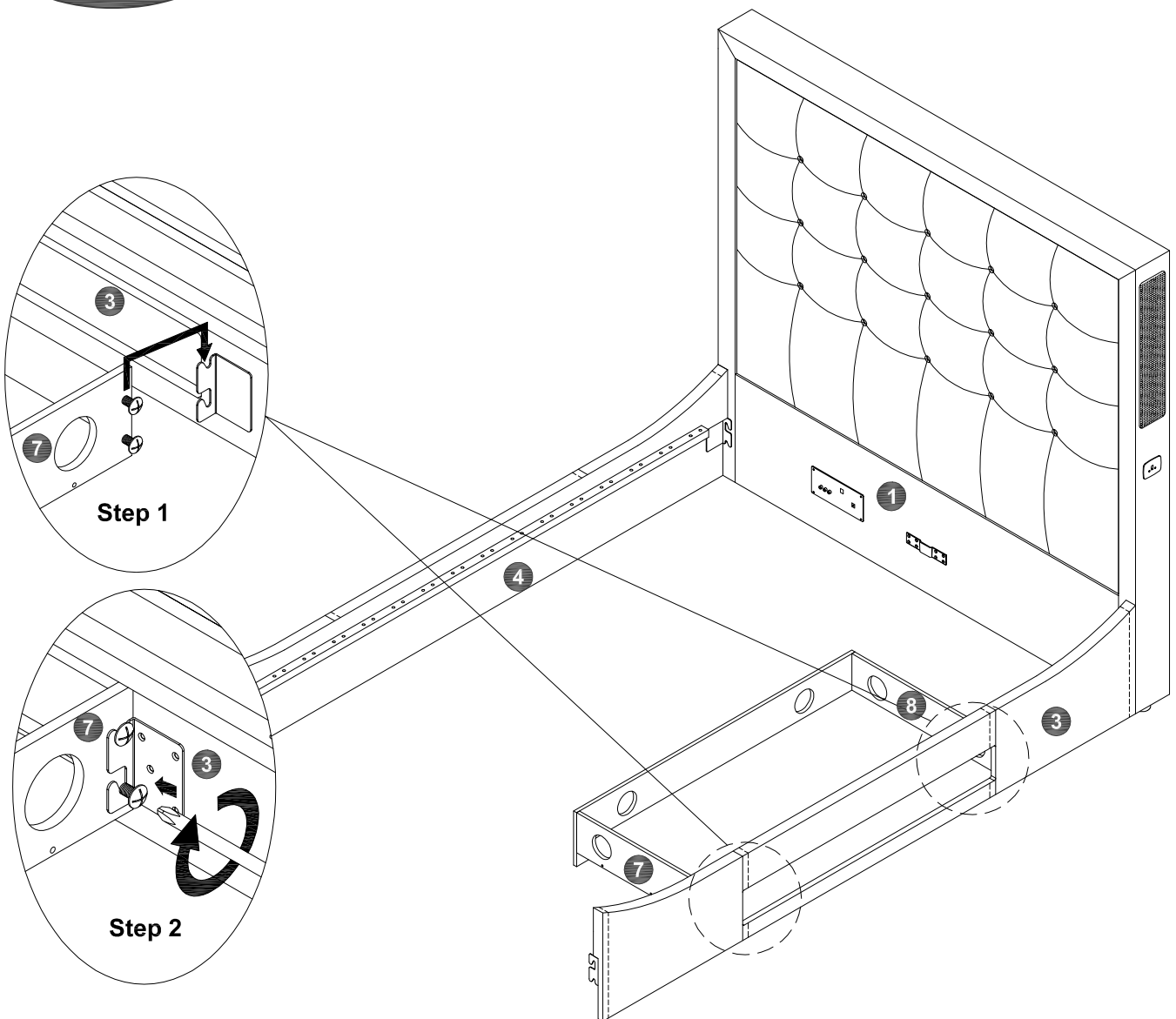
STEP 3

• Attach the bolts to both side of "DVD / Media Compartment" side panels as shown.



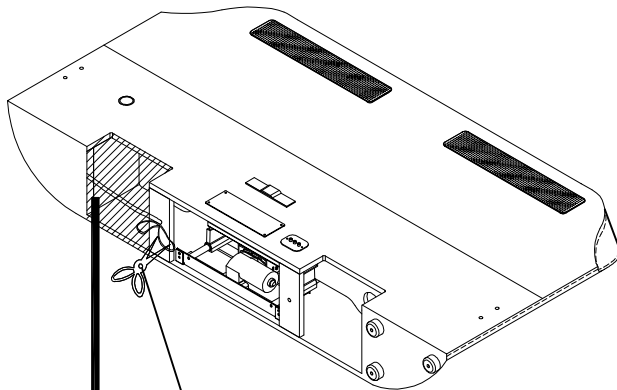
STEP 4

• Attach the "DVD / Media Compartment" to the side rail as shown.



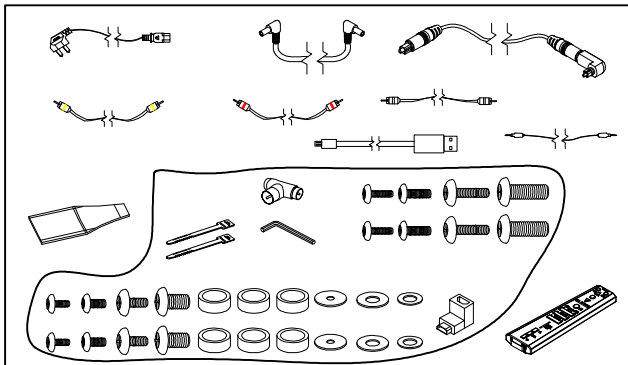
STEP 5

- Carefully remove the footboard from carton 2, remove the Hardware Box and all extra transportation packaging from inside.
- To do this you will need to gently lay the foot end on it's back. Before doing so please ensure the area is completely free of anything that may cause damage or press into the fabric. Place a protective cover on the floor to avoid possible damage.
- The controls and hardware are held in place by string please carefully cut these and remove.

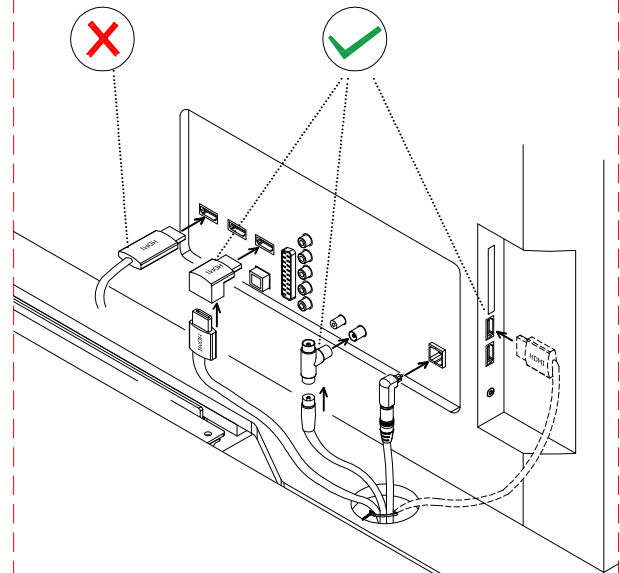


CAUTION:
PLEASE USE SCISSORS TO CUT THE STRING.
TAKE CARE WHEN REMOVING THE ACCESSORY BOXES NOT TO CATCH YOUR HANDS ON THE SIDES.

Hardware Box



YOUR TELEVISION REAR VIEW
HDMI CABLE PLUG POSITION POSSIBLE SCENARIO'S



Attention Please Note : Connecting Your HDMI or Aerial Cable as shown in diagram (X) can seriously Damage Your TV sockets.

To reduce this possibility we have supplied 90 degree adaptors for both HDMI and Aerial connections.



This will reduce the cable protrusion and lessen the possibility of the cable colliding with the bed frame.

These can be found in the bed frame hardware pack located in Box B (foot end). Please refer to the diagram above for the correct fitting of cables. More detailed information can also be found on page 19 (step 16) of your assembly instructions.

The manufacturer or retailer will not accept responsibility for any damages arising from incorrect installation.

ATTENTION! PLEASE NOTE:

In the event you are experiencing any technical difficulties and you require additional assistance/ support with your product 'Mechanical/ Electrical' function - Please visit:

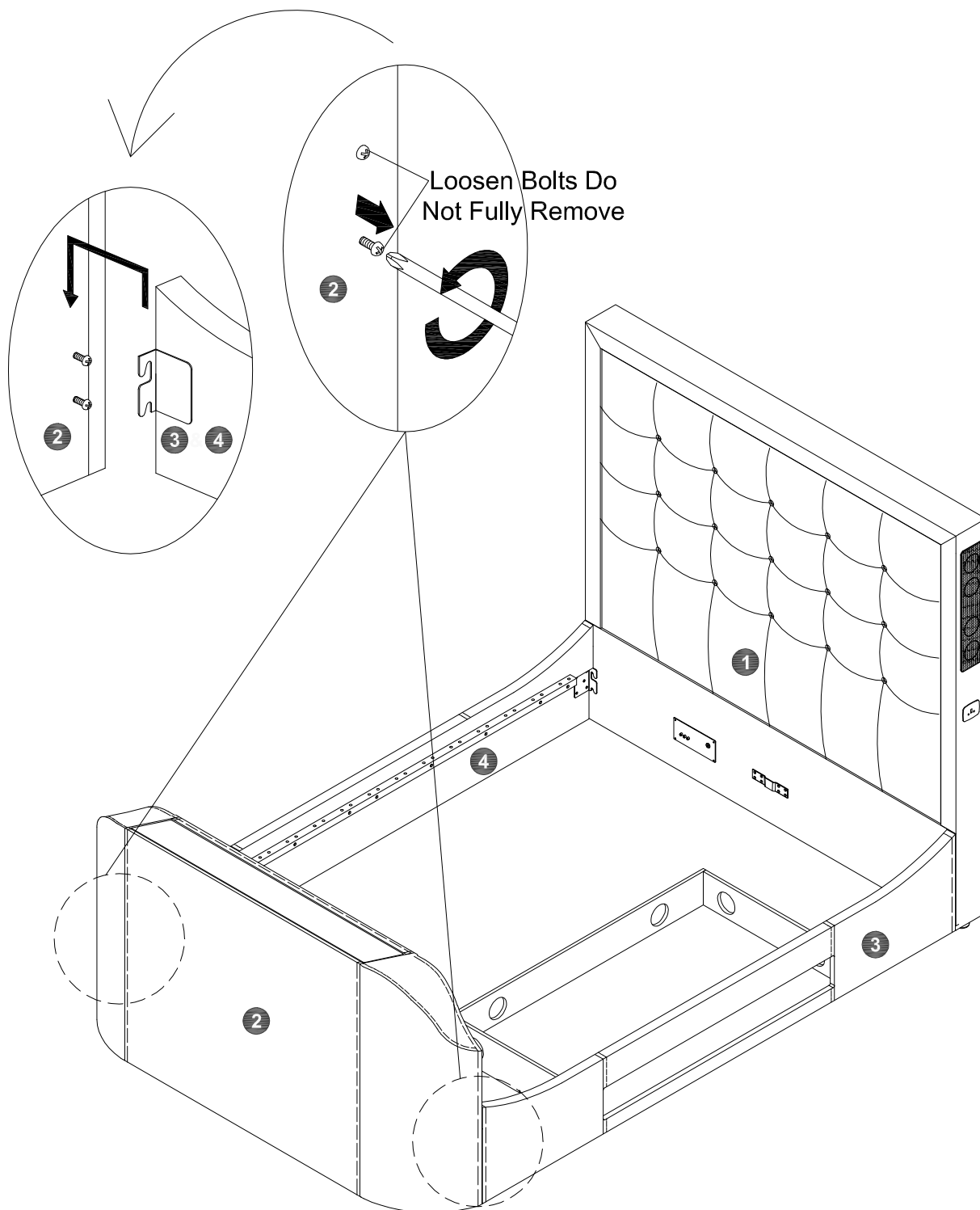
SUPPORT EMAIL: support@bssbfurnitureinnovation.com

UK PRODUCT SUPPORT HOTLINE : 01462600064

Contact your retailer for all other issues such as damage, missing or faulty components (non electrical) or anything else of a non technical/electrical nature.

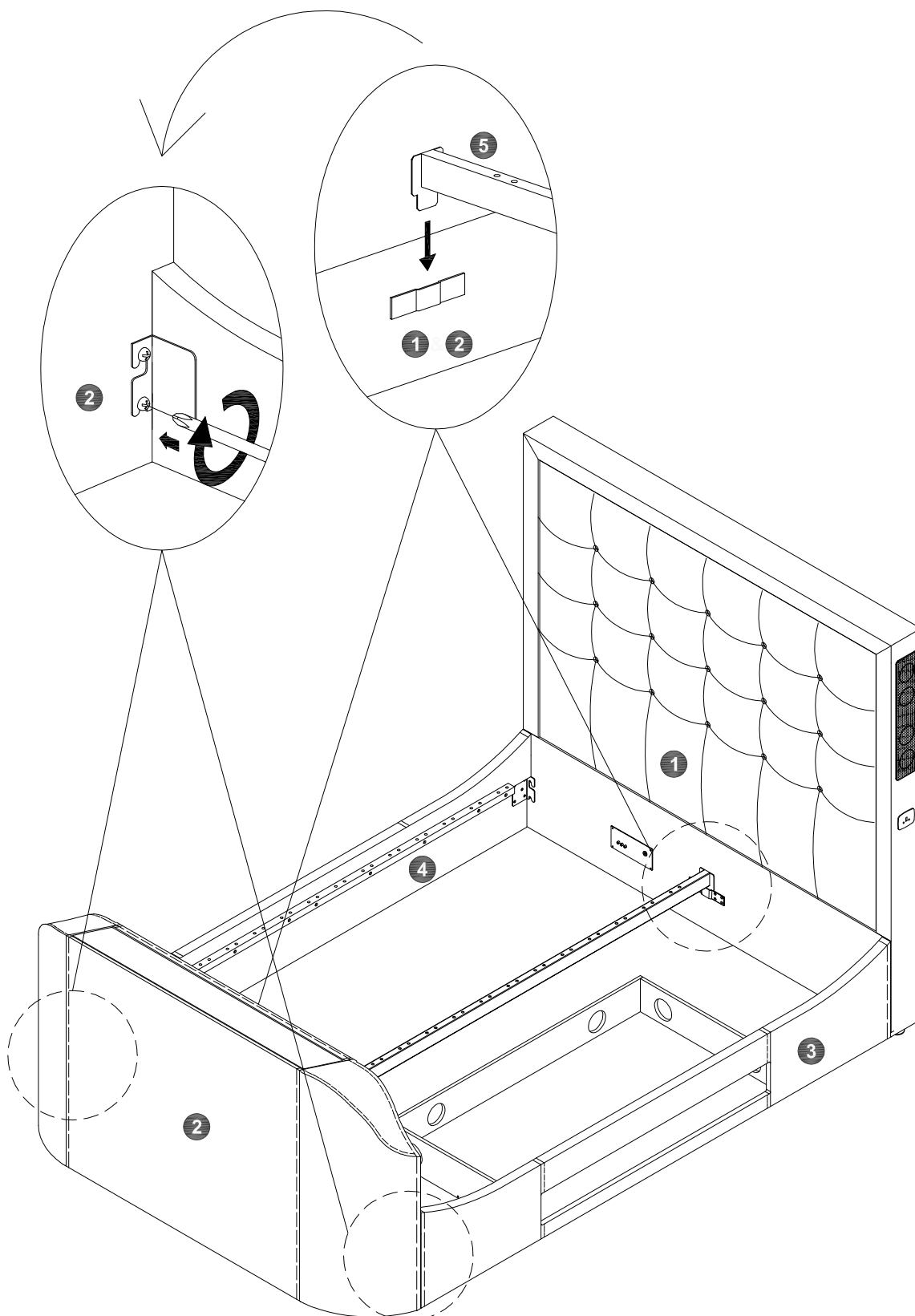
STEP 6

- Carefully lift the foot end back to it's upright position.
- Loosen the bolts located in the foot end.
- Please note these should only be loosened and **NOT** removed.
- Hook the side rail brackets over the bolts on both sides.



STEP 7

- Carefully slot the centre rail into the brackets on the head and foot end. Be very careful not to catch the head and foot ends with the centre rail tongue.
- Fully tighten all screws on the head and foot ends.



STEP 8

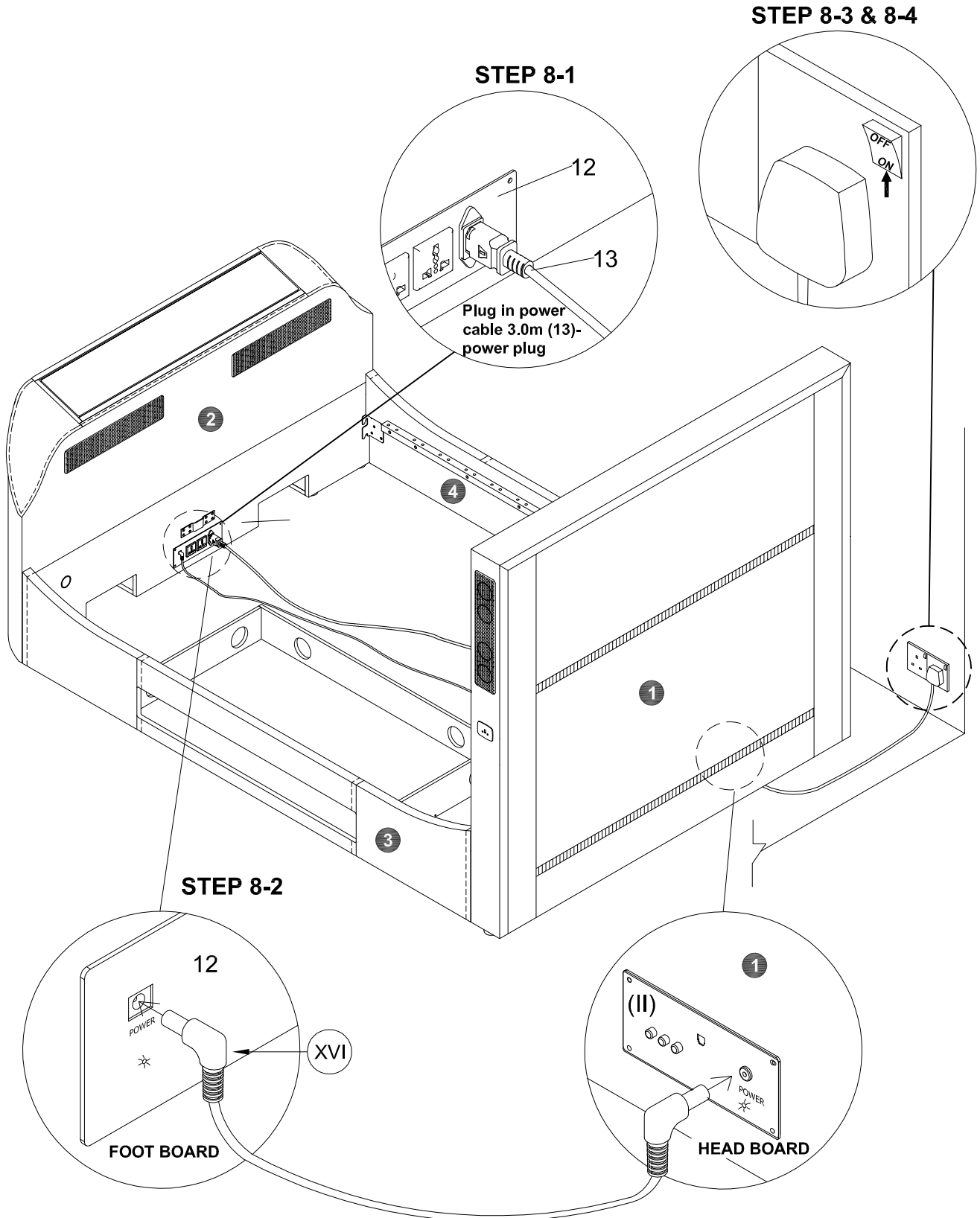
- **Connecting the TV mechanism cable as shown. It is essential that connecting to the power supply is done in this order. Failure to do so will result in damage to your product.**

Step 8-1 Connect the Power Cable (13) to the power adapter (12), which is pre-installed in the footboard, as shown.

Step 8-2 Connect the Power Cable (XVI) to the Headboard (1) & Footboard (2) as shown.

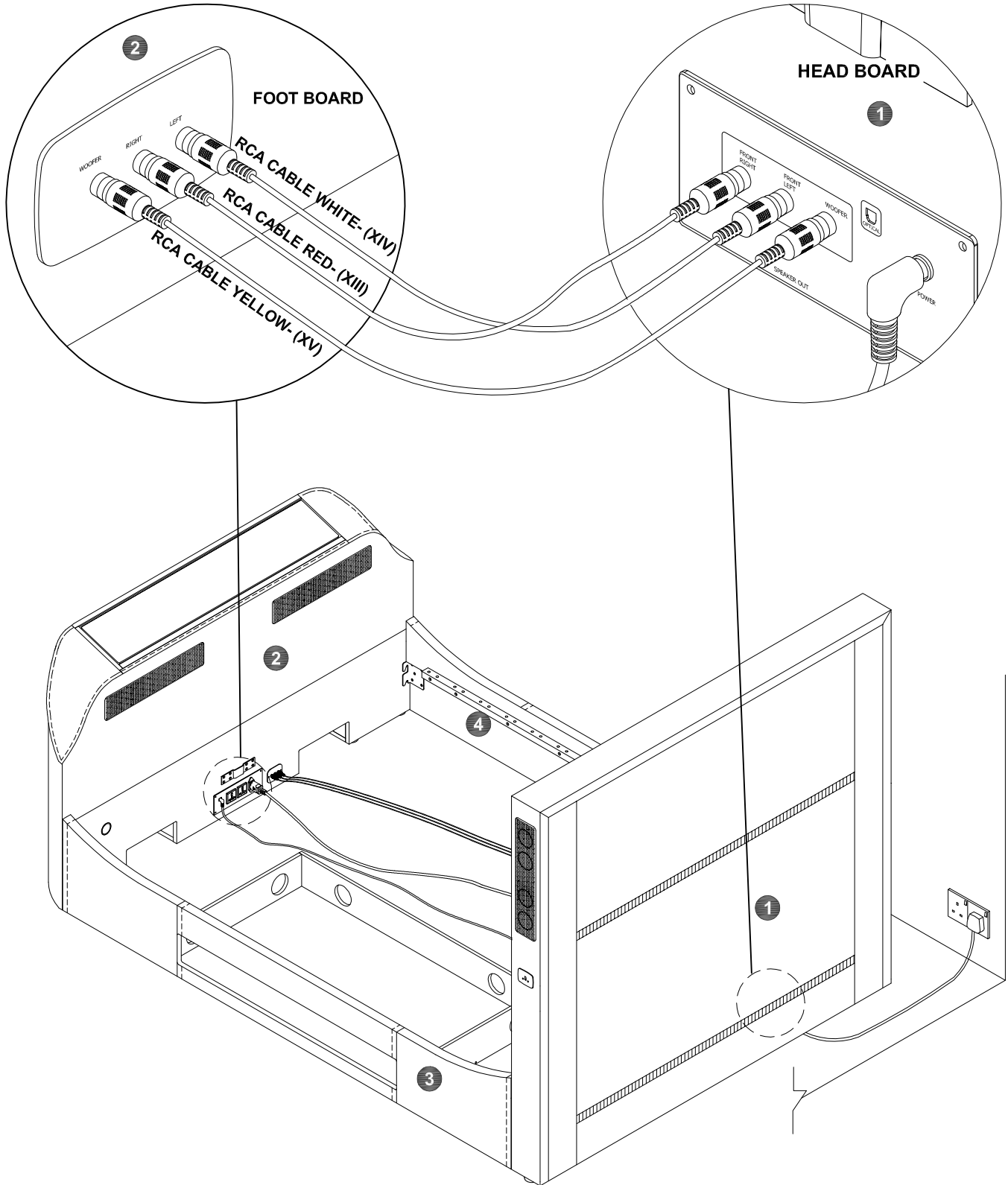
Step 8-3 Connect the Power Cable (13) power plug to a working main power supply.

Step 8-4 Switch on the main power supply, after 2~3 seconds you will hear the power on Audio notification. A red light will appear on power adapter (12) and Amplifier (II)



STEP 9

- Connecting the RCA cable to headboard & footboard as shown. The colour of RCA cable must match with the footboard amplifier & headboard hub connections.

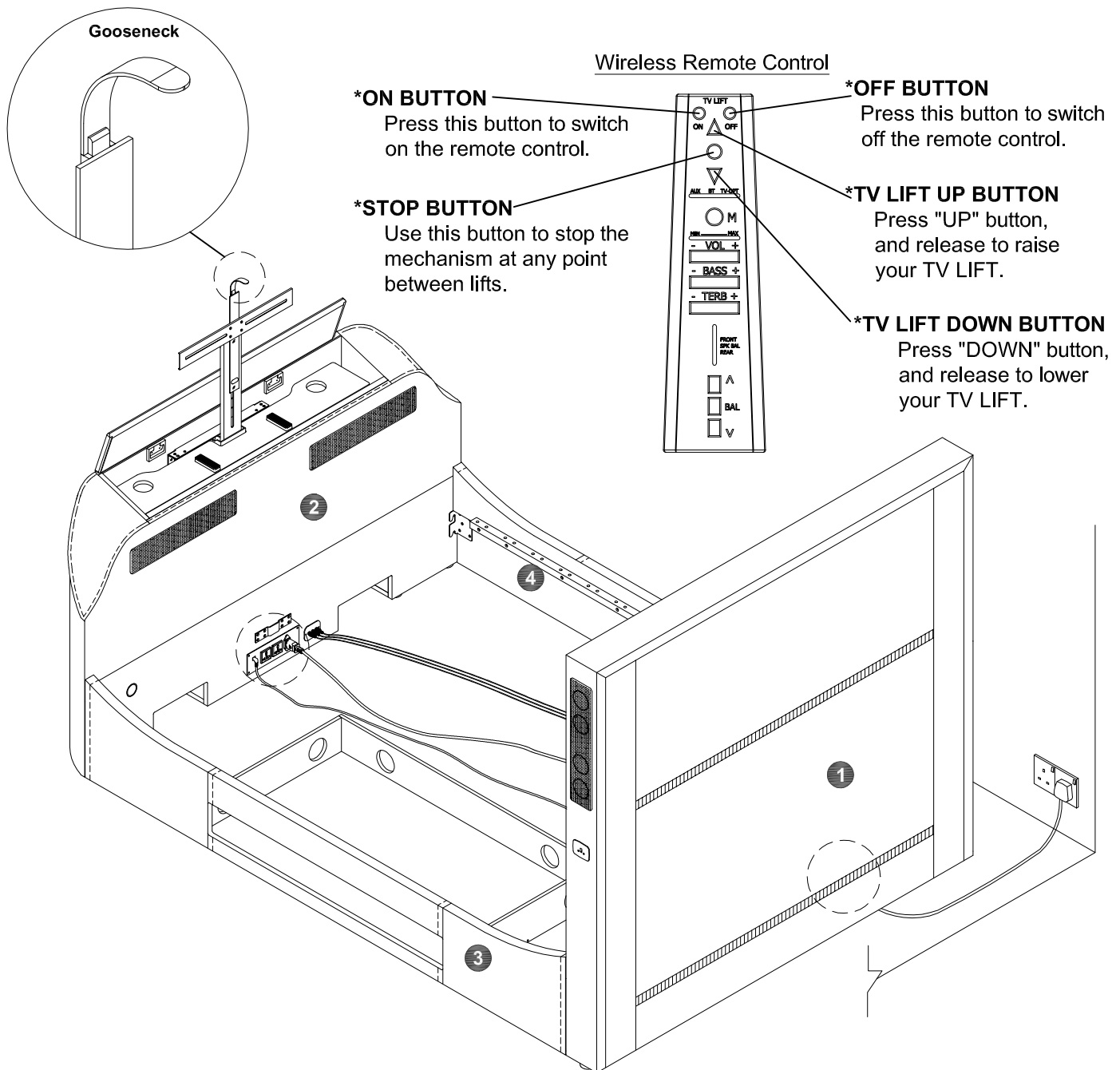


STEP 10

- Remote Control Synchronization.
- **Please Note:** This product has a Radio Frequency Remote Control. This remote control operates both the TV Lift Mechanism and Speaker System.
- In order for the Remote Control to operate both components, a 'one time' Remote Control Synchronization is necessary.
- Once the bed is fully assembled and connected to a mains power supply. Ensure the power is switched 'off' at the mains power supply.
- Press the 'ON' Button at the Top of the Remote Control.
- Press and (continuously) hold the TV Lift 'UP' button on the Remote Control (While continuously pressing the 'UP' Button).
- Power on the mains power supply socket. (Do not take your finger off the Remote Control TV Lift 'UP' Button)
- Only release the TV Lift Up Button Once the TV Lift starts to operate (Should not take any longer than 5 seconds!).

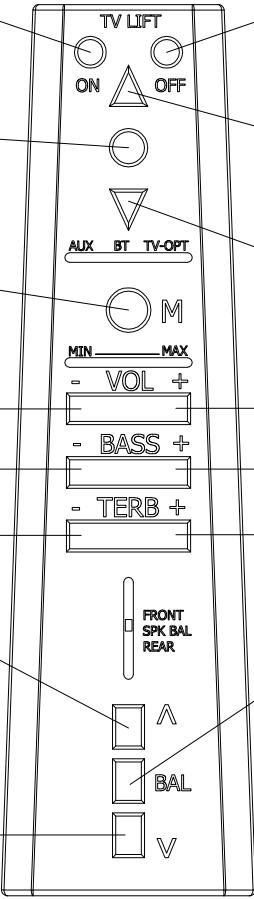
Repeat if necessary.....

In the event the remote control is not synchronizing with the TV Lift & Speaker System.
Please contact UK Support: 01462 600 064



STEP 11

- Audio system wireless remote control detail.
- Please fully charge wireless remote control.



***REMOTE CONTROL (ON BUTTON)**
Press this button to switch on the remote control.

***STOP BUTTON**
Use this button to stop the mechanism at any point between lifts.

***MODE BUTTON**
Use this button to switch to other media devices (as option : AUX, BT, TV-OPT)

***VOLUME (MINUS BUTTON)**

***BASS (MINUS BUTTON)**

***TREB (MINUS BUTTON)**

***SPEAKER (FRONT BUTTON)**
Use this button to reduce sound from headend speaker and prioritise the footend speaker.

***SPEAKER (REAR BUTTON)**
Use this button to reduce sound from footend speaker and prioritise the headend speaker.

***CHARGING (INDICATOR LIGHT)**
*Red when charging
*Blue when fully charged

***BATTERY CLIP**
To fit the battery.

***REMOTE CONTROL (OFF BUTTON)**
Press this button to switch off the remote control.

***TV LIFT UP BUTTON**
Press "UP" button, and release to raise your TV LIFT.

***TV LIFT DOWN BUTTON**
Press "DOWN" button, and release lower your TV LIFT.

***VOLUME (PLUS BUTTON)**

***BASS (PLUS BUTTON)**

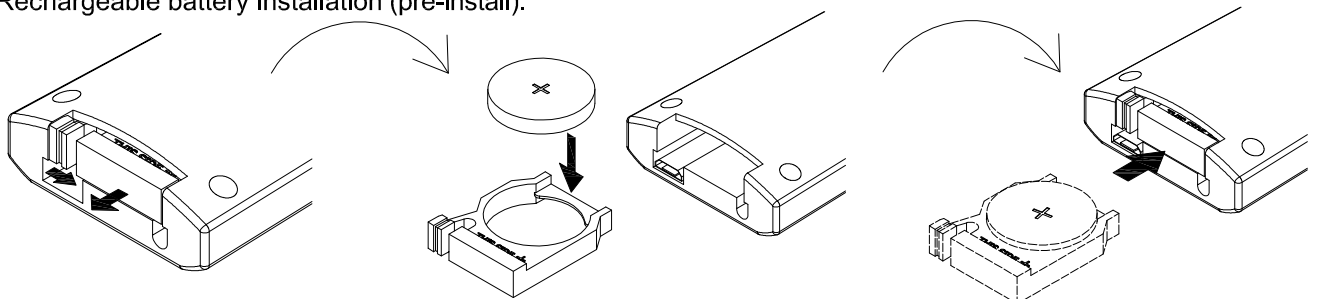
***TREB (PLUS BUTTON)**

***SPEAKER (BALANCE BUTTON)**
This button will balance both head-end & foot-end speaker to 50/50.

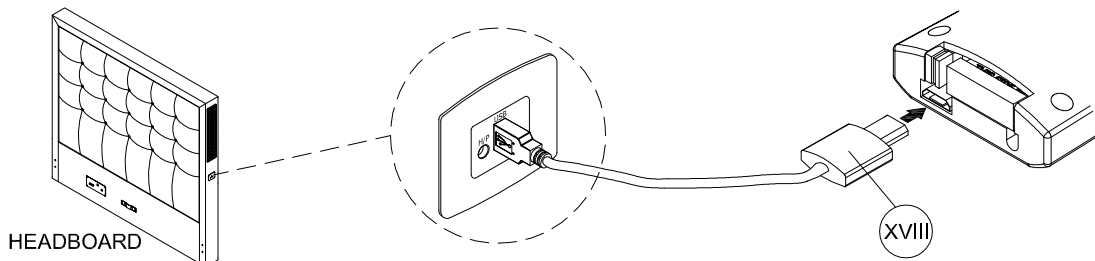
***MICRO- B (FEMALE) PORT**
Compatible with all USB micro-B (Male) charger cable/ android charger cable.
(CHARGER CABLE PROVIDED)
(DO NOT USE THIS CABLE TO CHARGE OTHER DEVICES)

Note : When battery is low the LED light will flash continuously and indicate that the remote control needs to be charged.

- Rechargeable battery installation (pre-install).



- Use the cable provided (XVIII) to charge the wireless remote control (XVII).

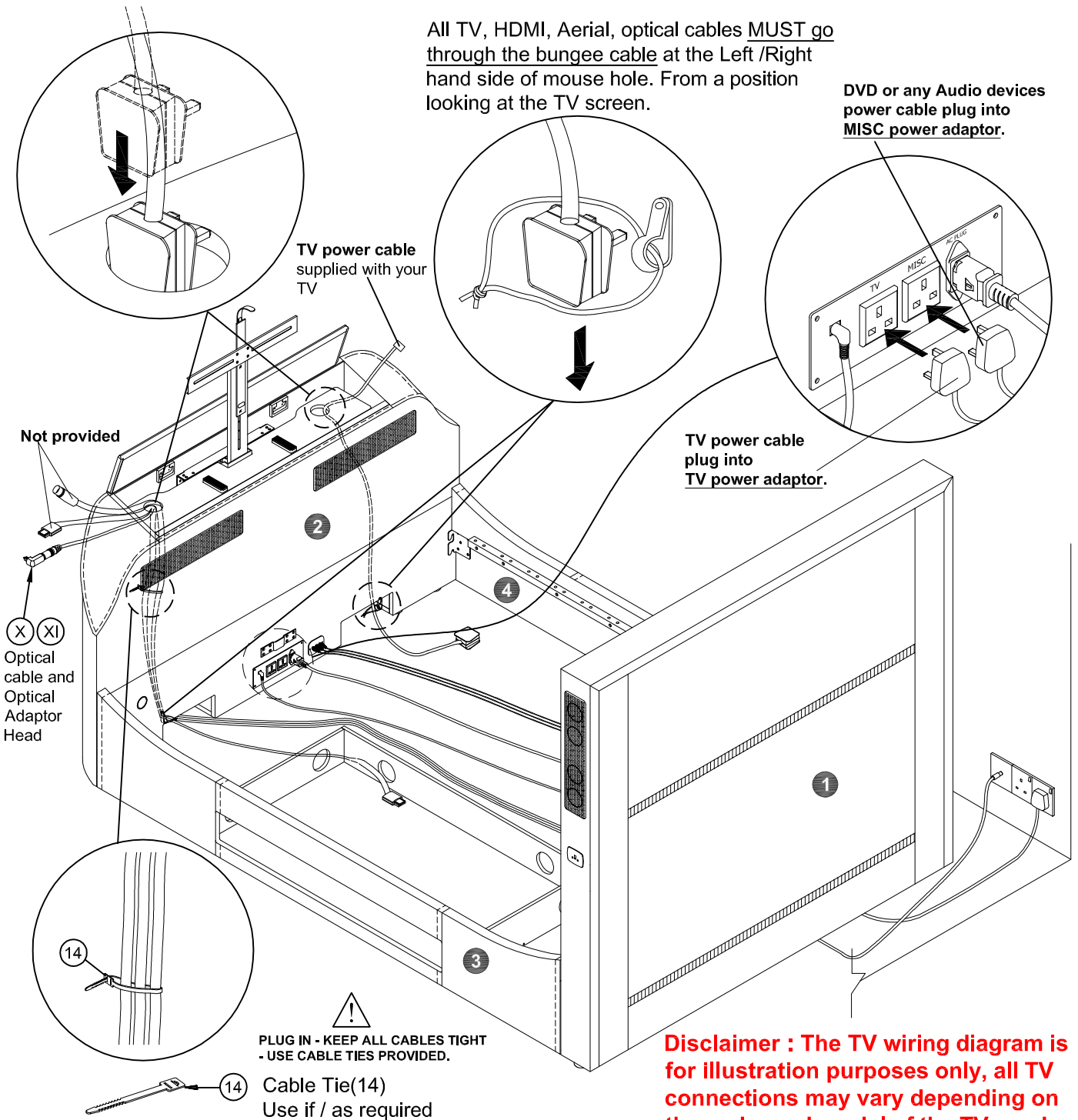


STEP 12

- Cable connection plan. Make sure you have all the relevant cable connections required (HDMI cable, TV Aerial cable, TV power cable, Optical cable etc...) before you install the TV.
- The cable management holes are to help you to manage the cable and keep them tidy and free from snags. Pass all cables cleanly through these holes. While ensuring any cable slack is taken up from the bottom end of the footboard.
- The bed power supply unit (12) has a socket marked 'TV'. This is the power point for the TV power. This feature allows the TV to power on & off automatically. This is achieved by a unique cut off function for when the TV is lowered and auto power on for when it is raised.

All TV, HDMI, Aerial, optical cables MUST go through the bungee cable at the Left /Right hand side of mouse hole. From a position looking at the TV screen.

DVD or any Audio devices power cable plug into MISC power adaptor.



Disclaimer : The TV wiring diagram is for illustration purposes only, all TV connections may vary depending on the make and model of the TV used.

Place all cables through the 'Cable Management' holes to prevent any damage to the cable when the TV Lift Mechanism is operating. Make sure all your the cables are long enough to let the TV Lift Mechanism move freely.

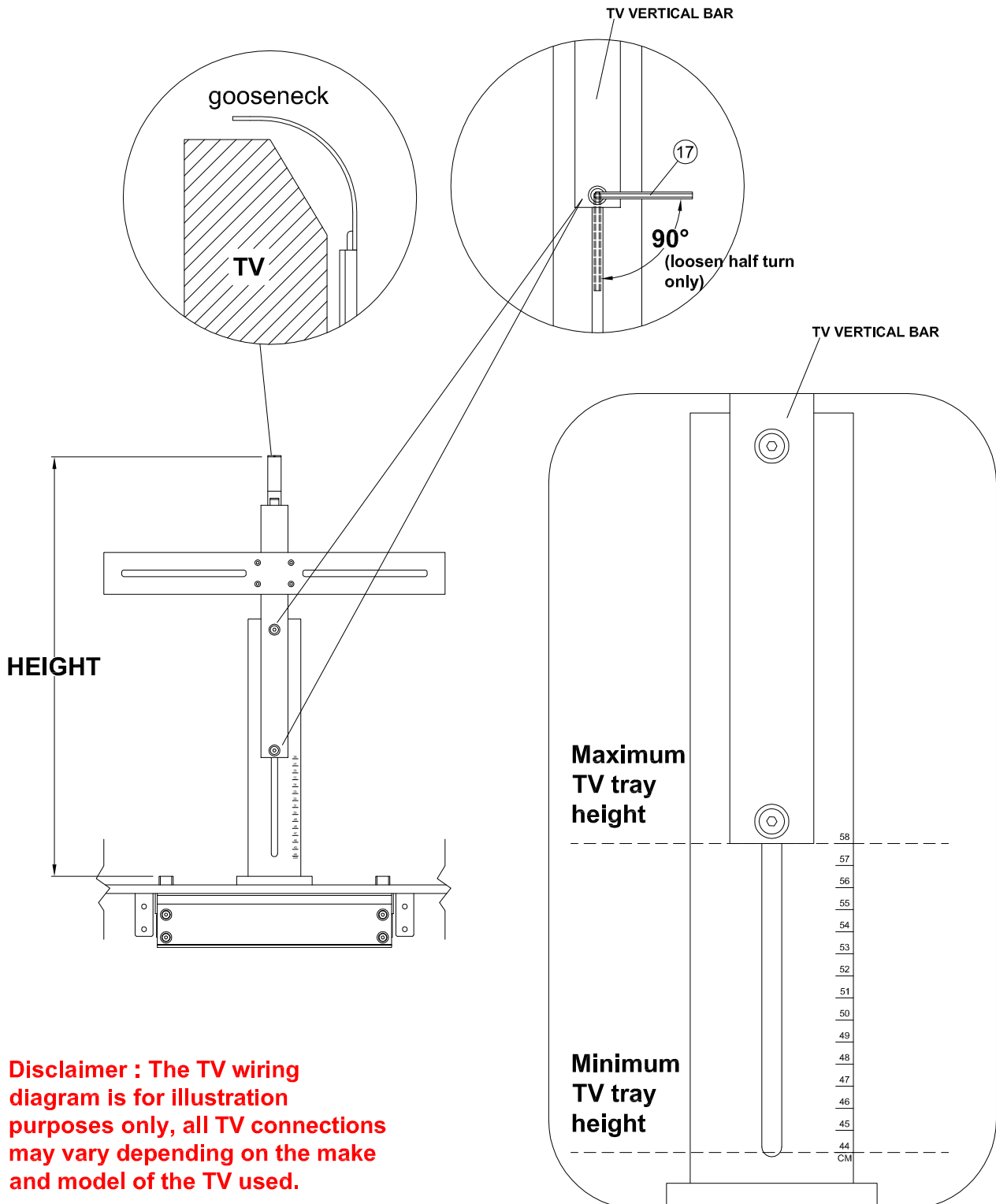
All the cables MUST be carefully pulled and fully extended.

Group the cables together as required below the TV Tray using cable tie (14) provided.

STEP 13

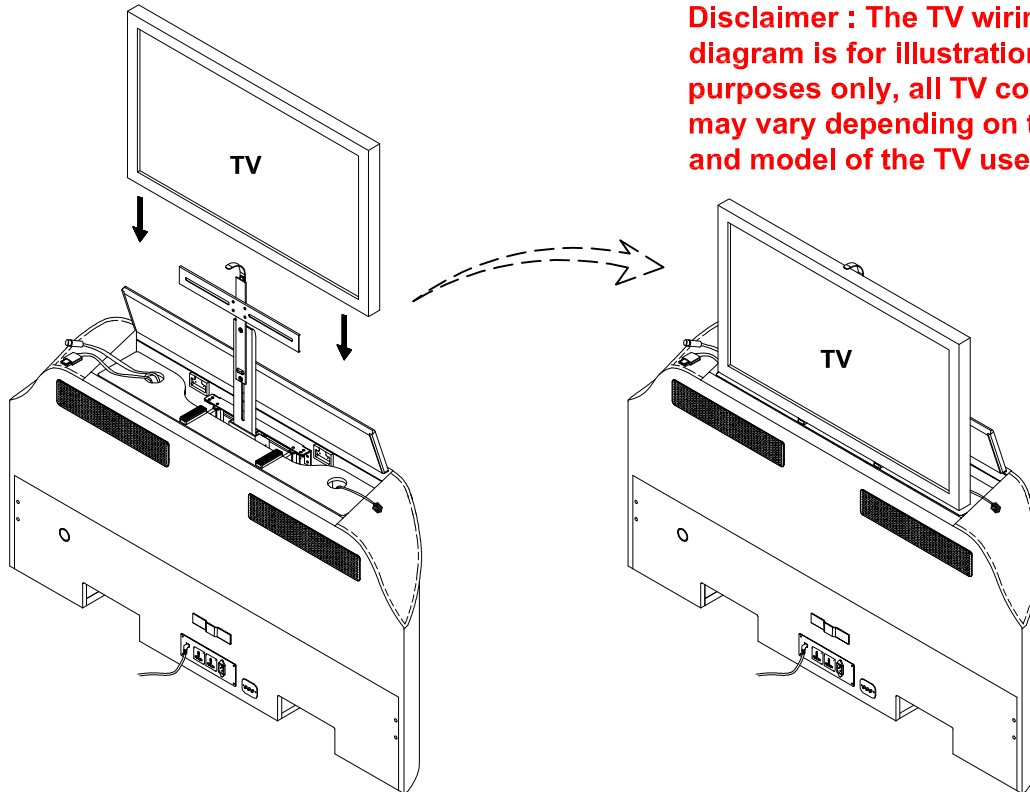
- Adjust the TV tray to suit the height of your TV (without stand). Please follow step below
 - 13.1 : Make a note of the height (without stand!) of your television.
 - 13.2 : Use the Allen key (17) to slightly loosen the bolts-half turn only, do not remove all. (Please refer diagram below)
 - 13.3 : Slide "UP/ Down the TV vertical bar to using the measure line to match the noted height of your TV, then fully tighten the bolts.
 - 13.4 : When the TV is mounted it should sit neatly just underneath the Gooseneck.

Note: The minimum height of the TV Tray is 440mm which accommodates any of the smaller TV heights (without stand) below 440mm.



STEP 14

- You are now ready to install your TV.
- Raise the mechanism to it's highest position.
- While standing behind your television (on the outside end of the footboard).
- Carefully place the TV on top of the two rubber TV mounting pedestals - ensuring the Gooseneck arm is perfectly in line with the horizontal 'centre' of the TV.



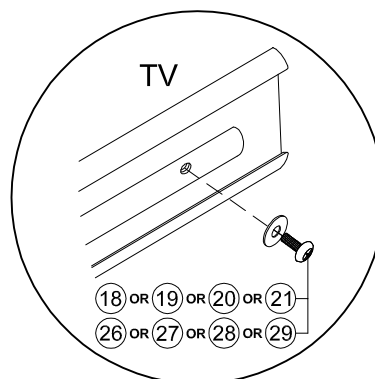
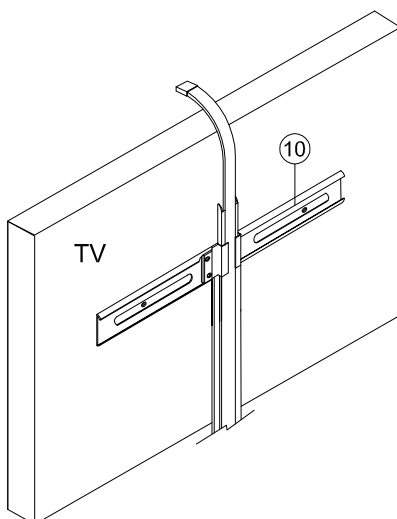
Disclaimer : The TV wiring diagram is for illustration purposes only, all TV connections may vary depending on the make and model of the TV used.

STEP 15

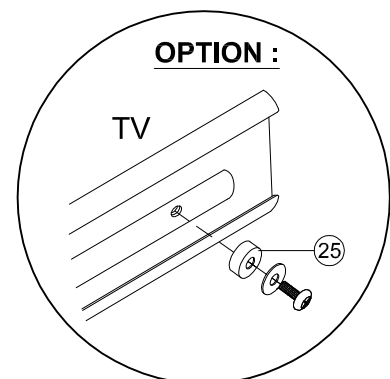
- TV Flat Bracket (vesa bracket).

Please note : Item (18-21) or (26-29) screws have been supplied to fit most TV models. However sizes may vary depending on the TV model. If smaller or larger size screws are required these should be source from your local hardware store or TV specialist. Washers may also be required. Your retailer may also supply alternative fixings depending on the TV model supplied at the time.

Disclaimer : The TV wiring diagram is for illustration purposes only, all TV connections may vary depending on the make and model of the TV used.



BOLT	18	19	20	21
BOLT	26	27	28	29
WITH				
WASHER	22	22	23	24

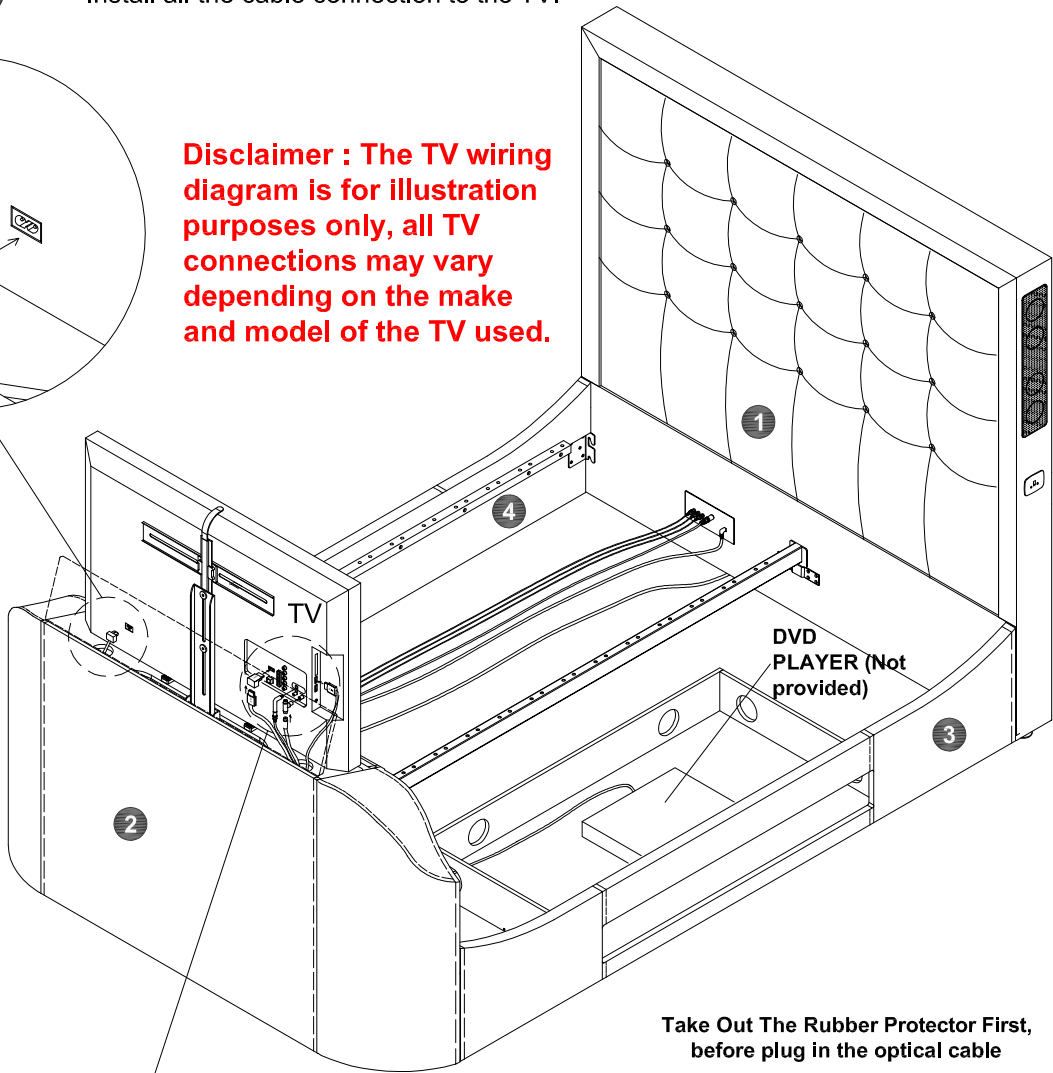
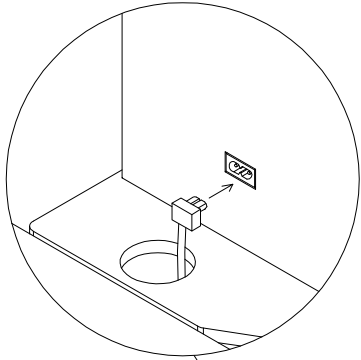


In the event you find the screws are too long for the TV with bracket please use Plastic collar (25) if required.

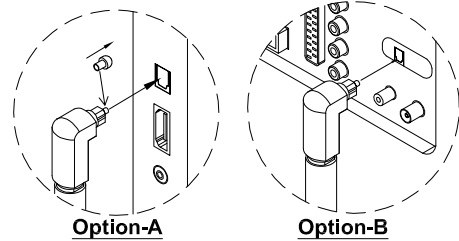
STEP 16

- Install all the cable connection to the TV.

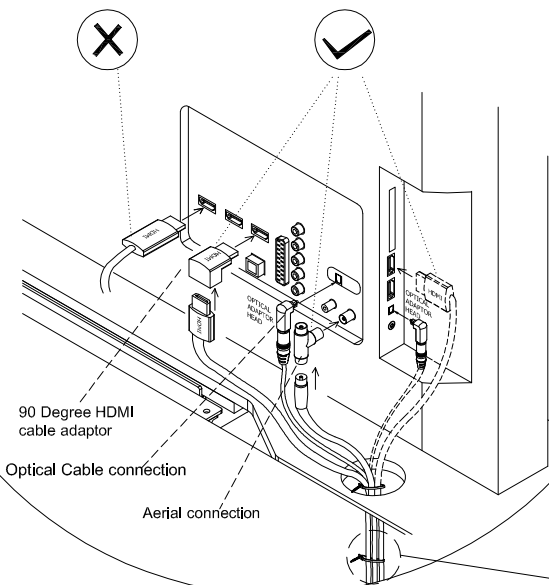
Disclaimer : The TV wiring diagram is for illustration purposes only, all TV connections may vary depending on the make and model of the TV used.



Take Out The Rubber Protector First, before plug in the optical cable

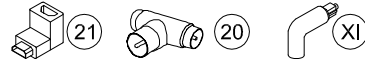


**YOUR TELEVISION REAR VIEW
HDMI CABLE PLUG POSITION POSSIBLE SCNARIO'S**



Attention Please Note : Connecting Your HDMI or Aerial Cable as shown in diagram (X) can seriously Damage Your TV sockets.

To reduce this possibility we have supplied 90 degree adaptors for both HDMI and Aerial connections.



This will reduce the cable protrusion and lessen the possibility of the cable colliding with the bed frame. **These can be found in the bed frame hardware pack located in Box B (foot end).** Please refer to the above diagram for the correct fitting of cables. More detailed information can also be found on above diagram of your assembly instructions.

The manufacturer or retailer will not accept responsibility for any damages arising from incorrect installation.

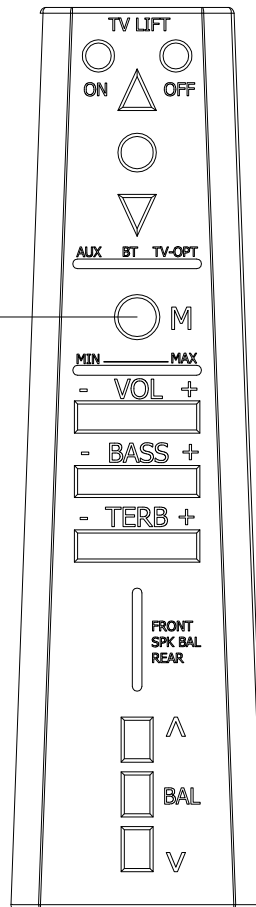


NOTE: The cables port for television, DVD, TV aerial etc may not be the same as shown above and vary depending on TV model.

STEP 17

- Wireless remote control "MODE BUTTON" introduction.

***MODE BUTTON**
Use this button to switch
to other media devices
(as option : AUX, BT, TV-OPT SOUND)



Step 17-1 Playing audio files through **AUX** connection.

- Press the Mode Button on wireless remote control to select **AUX function** (Audio select).
- Using the JACK AUX Cable (XII) plug directly into any audio device that has a headphone socket and plug the opposite end into side of head-end (A) to deliver wired audio, in the event you have chosen not to connect wirelessly via Bluetooth.
- Please use volume, base and treble buttons on you wireless remote control to select your preferred acoustic sound level.

Step 17-2 Playing audio files through **BLUETOOTH** connection.

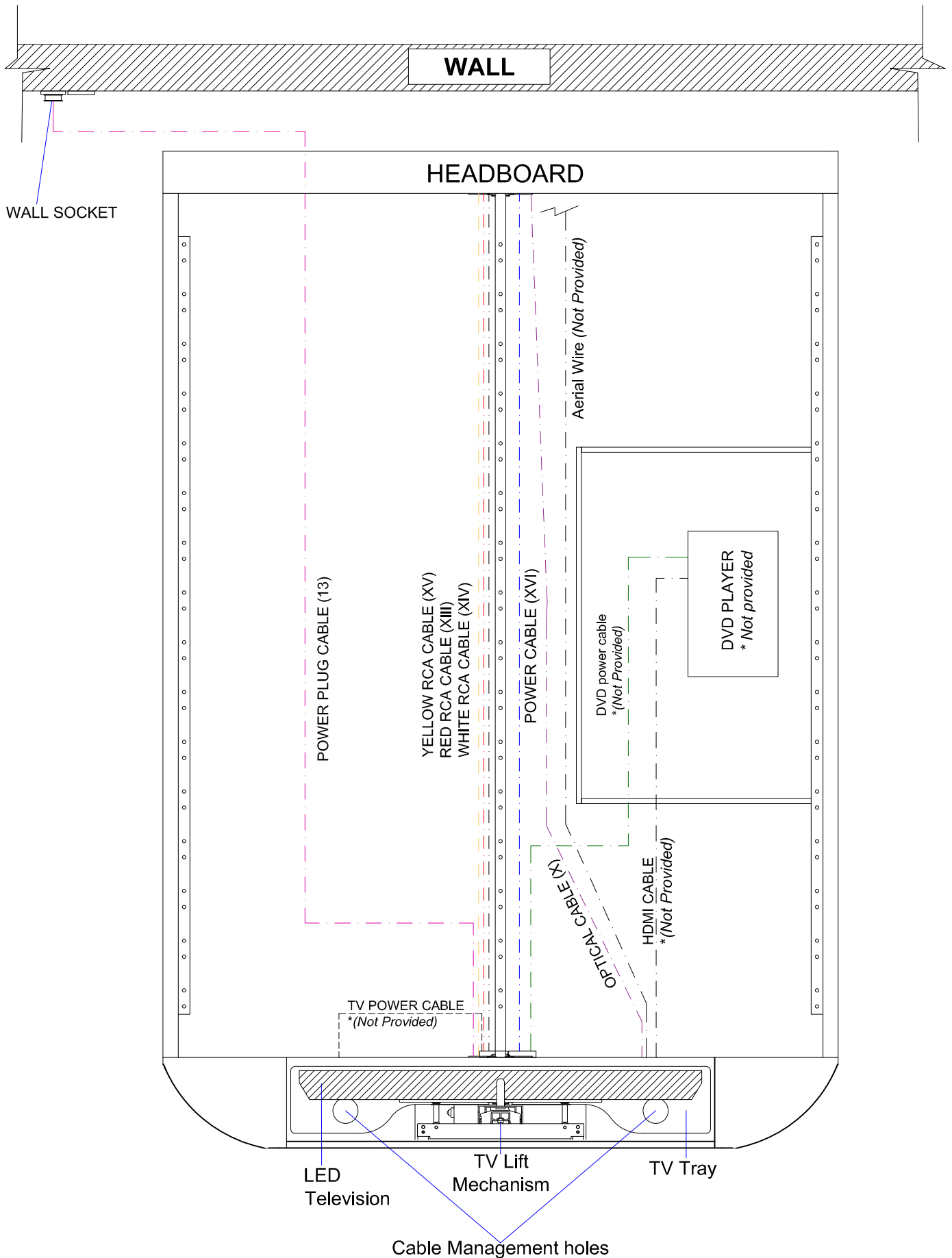
- Press the Mode Button on wireless remote control until BT is highlighted on the wireless remote indicator.
- Once you have prepared your device to search for a bluetooth (wireless) device - your device will show up as "**BSSB 4.1**". Select (PAIR/ CONNECT) with BLUETOOTH. Once your device has successfully connected to your audio system, you can hear the audio notification bleep - this confirms the Bluetooth is enabled and ready to use.
- Please ensure you device volume is turned up at least half way and the B/T function is selected.
- You can simply use your devices music player to play the sound - **ENJOY**.
- Please use volume, base and treble buttons on you wireless remote control to select your preferred acoustic sound level.

Bluetooth Connection Notification: The bluetooth is only able to connect/ pair with one device at a time. In the event you wish to connect/ pair an alternative/ additional Bluetooth compatible device, please firstly disconnect the bluetooth connection between your current device and the audio system. Then again repeat the above steps.

In scenarios where BT connection repeatedly fails, power Off/On the speaker system and turn BT Off/On on other device. Try again.

STEP 18

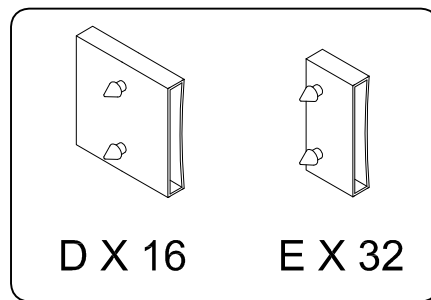
- Detail connection plan.



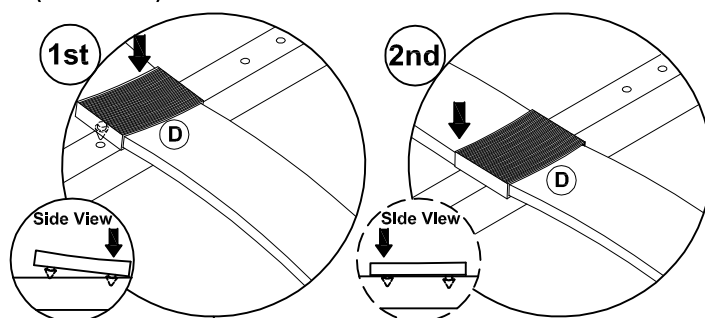
* The TV main supply cable can be put on either the left or the right side depending on the TV port location.

STEP 19

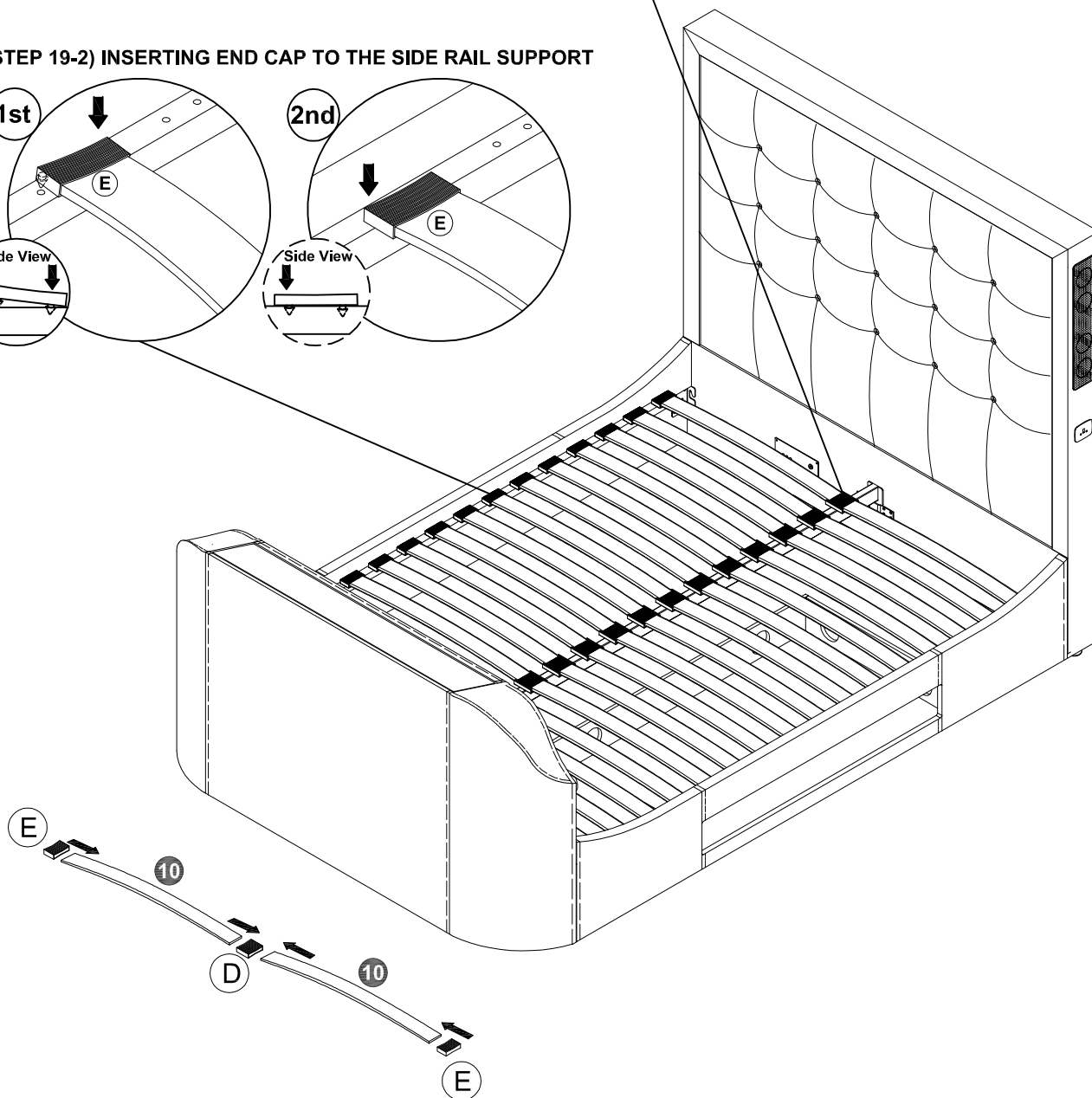
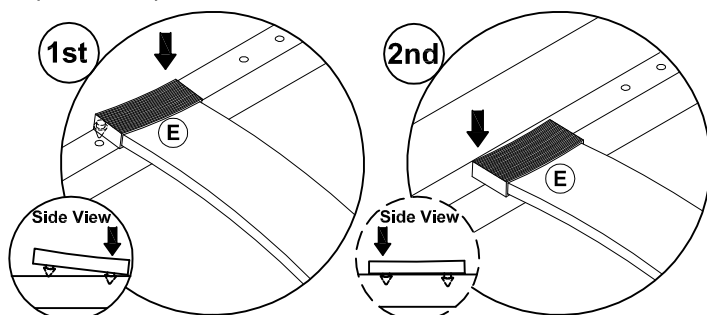
- Attach the middle cap and the end cap to the slat.
 - Push the middle cap into the center rail first, ensuring the slat is arched upwards. Then attach the end caps to the side rail supports as shown in step 19-1 & step 19-2.
- * PLEASE REFER TO STEP 21, IF YOU WISH TO DISASSEMBLE THE SLAT CAPS FROM THE BED.



(STEP 19-1) INSERTING MIDDLE CAP TO THE CENTRE RAIL

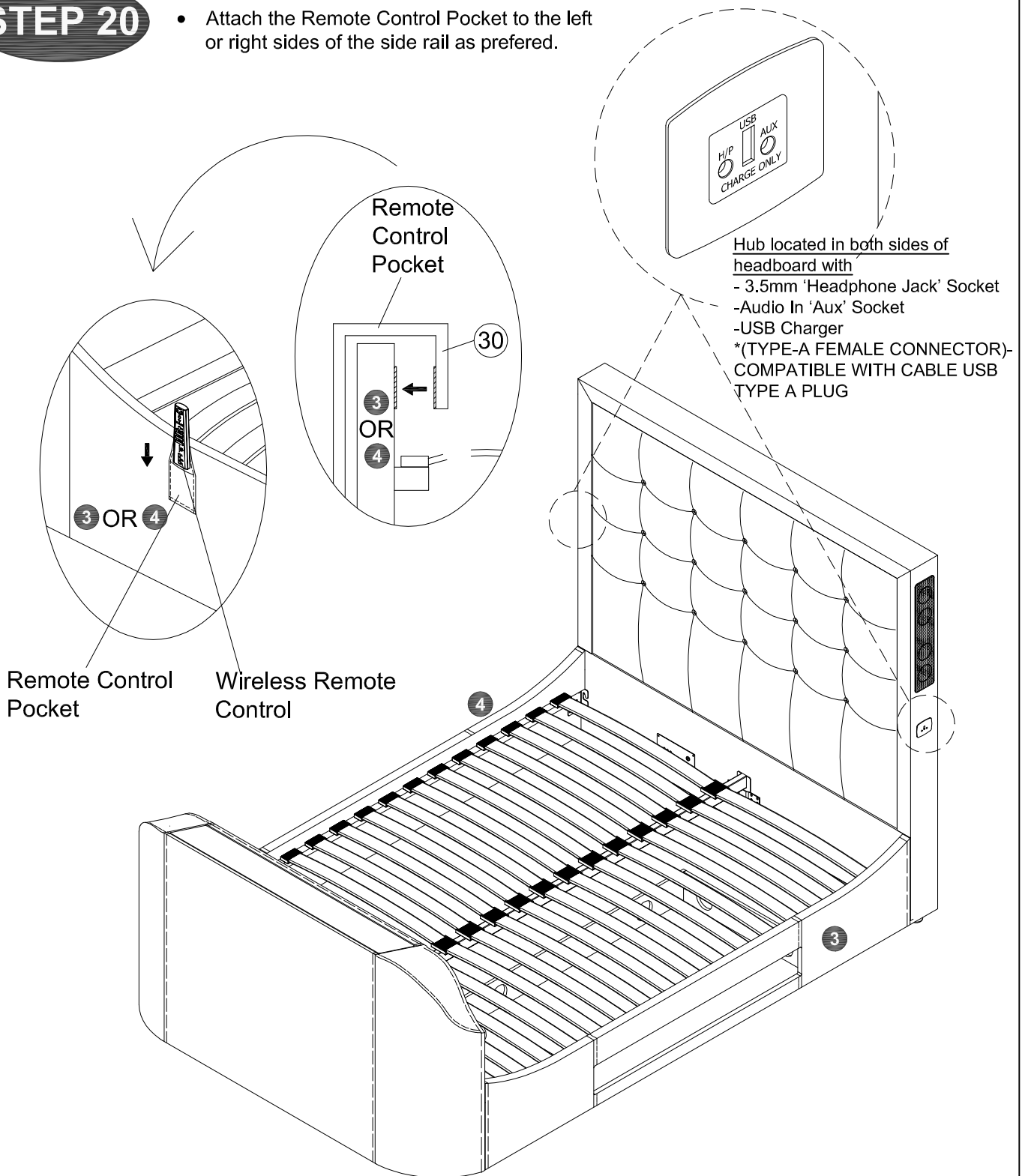


(STEP 19-2) INSERTING END CAP TO THE SIDE RAIL SUPPORT



STEP 20

- Attach the Remote Control Pocket to the left or right sides of the side rail as preferred.



ATTENTION! PLEASE NOTE:

In the event you are experiencing any technical difficulties and you require additional assistance/ support with your product 'Mechanical/ Electrical' function - Please visit:

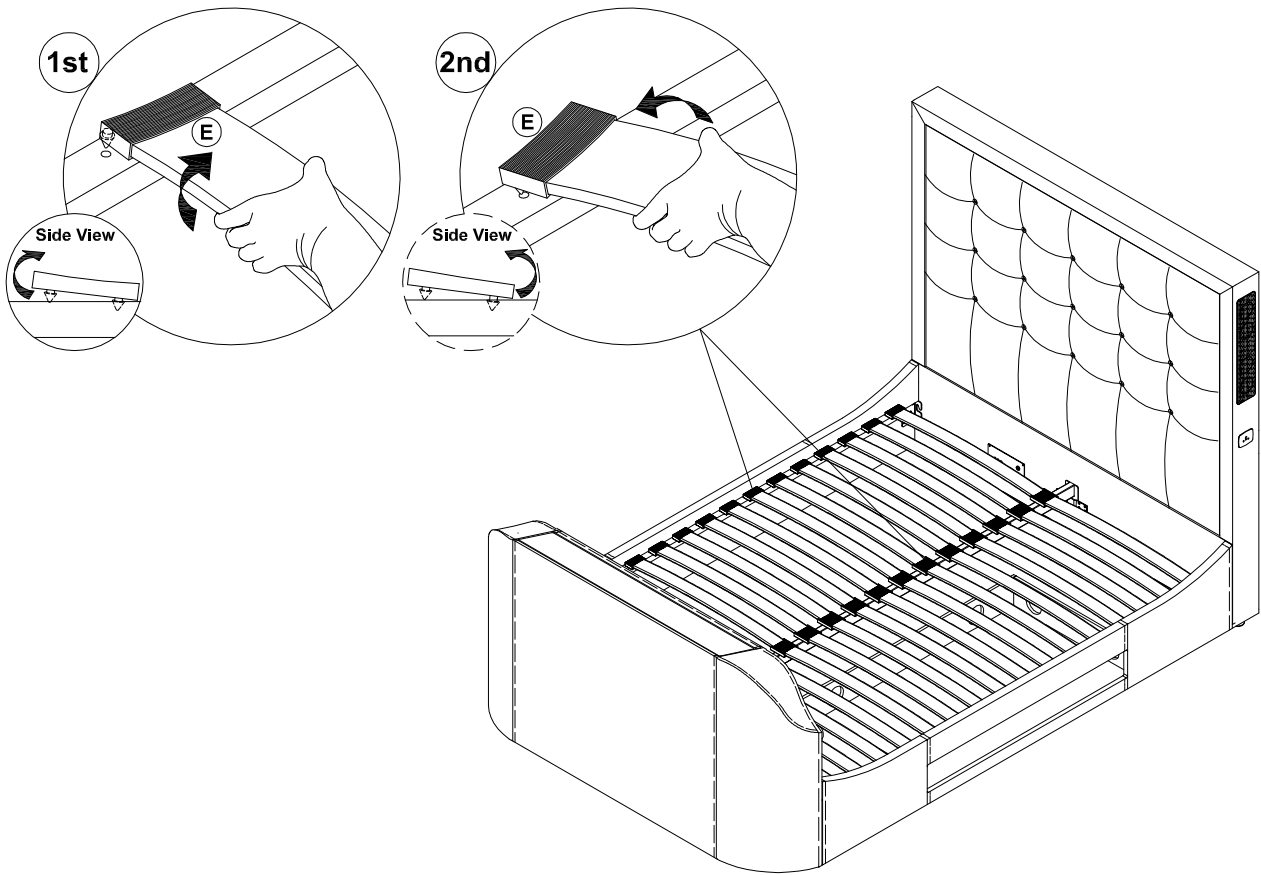
SUPPORT EMAIL: support@bssbfurnitureinnovation.com

UK PRODUCT SUPPORT HOTLINE : 01462600064

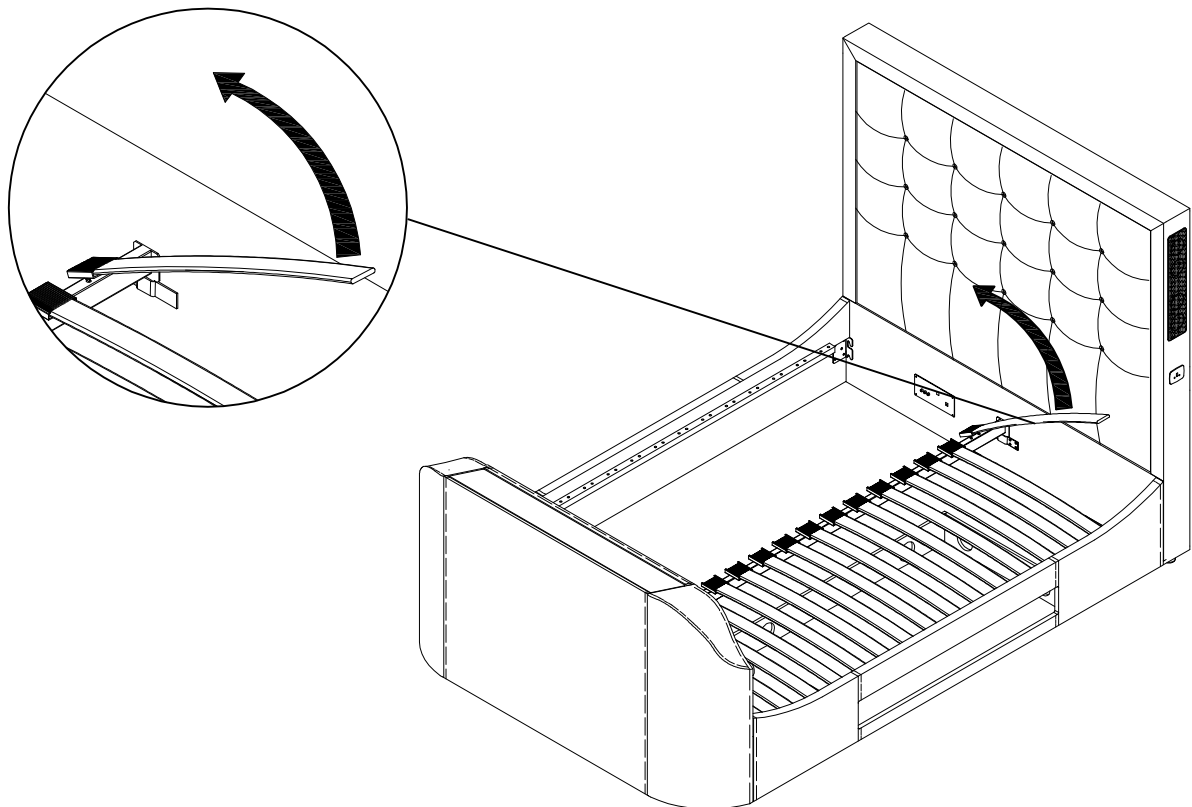
Contact your retailer for all other issues such as damage, missing or faulty components (non electrical) or anything else of a non technical/electrical nature.

(DISMANTLING THE SLAT CAPS)

- Firstly, remove both end cap from side rail support & remove one side of slats as shown.



- Then, use the slats to remove middle caps slowly as shown.



TROUBLE SHOOTING

TV LIFT DOES NOT OPERATE USING THE WIRELESS REMOTE CONTROL

CHECK

IS THERE A RED LIGHT ON THE BEDS POWER SUPPLY (12)?

YES

DOES THE LED LIGHT WORK ON THE WIRELESS REMOTE CONTROL WHEN A BUTTON IS PRESSED?

YES

POWER OFF THE BED SYSTEM AT THE MAINS SUPPLY

CONTINUOUSLY PRESS "ON BUTTON" ON THE WIRELESS REMOTE CONTROL (XVII)

WHILE CONTINUING TO PRESS THE BUTTON ON THE WIRELESS REMOTE CONTROL ON THE MAIN SUPPLY (DO NOT RELEASE THE BUTTONS ON THE WIRELESS REMOTE CONTROL (XVII)) UNTIL AFTER 5 SECONDS

NOW TRY TO OPERATE THE TV LIFT

THE FAULT REMAINS

CONTACT HELPLINE

NO

ENSURE THERE IS A RECHARGEABLE BATTERY IN THE REMOTE AND FULLY CHARGE USING A MICRO USB POWER CABLE.

THE FAULT REMAINS

CONTACT HELPLINE

NO

ENSURE THE POWER SUPPLY (12) IS CONNECTED TO A 'SWITCHED ON' WORKING MAINS SUPPLY.

THE FAULT REMAINS

CONTACT HELPLINE

TROUBLE SHOOTING

**HEADBOARD
-USB PORT (TRY CHARGING AN ALTERNATIVE DEVICE WITH A DIFFERENT POWER CABLE)
-AUX SOCKET,
-H/P SOCKET, DOES NOT OPERATE**

CHECK

IS THERE A RED LIGHT ON THE BEDS POWER SUPPLY (12) & (II)?

YES

THE FAULT REMAINS

CONTACT HELPLINE

NO

ENSURE THE POWER SUPPLY (12) & (II) IS CONNECTED TO A 'SWITCHED ON' WORKING MAINS SUPPLY.

THE FAULT REMAINS

CONTACT HELPLINE

4.1 AUDIO SPECIFICATION

Factory Fitted Audio System

4.1 Channels - Surround Sound

17 x Speaker Drivers

(16 x 2.5" - '6w' Treble Speakers & 1 x 6" '24w' Woofer Speaker)

Total sound output

(120w RMS)

1 (Footboard Integrated, Front Facing 4 x LHS Speakers: 24w RMS)

2 (Footboard Integrated, Front Facing 4 x RHS Speakers: 24w RMS)

3 (Headboard Integrated, Rear Facing 4 x LHS Speakers: 24w RMS)

4 (Headboard Integrated, Rear Facing 4 x RHS Speakers: 24w RMS)

.1 (Footboard Integrated, Indirect Positioned 1 x Woofer Speaker '24w RMS')

Footboard Integrated - 4.1 Channel Digital Amplifier

(Frequency Response: 20Hz -- 20000Hz)

(Input Power: 21v - DC)

(Input Sensitivity: p-p 0.5v)

(Total PMPO 480W)

(Power On / Off LED Indicator)

(Power On / Off Switch)

(Digital Optical 'In' Socket)

Wireless Remote Control (Combined TV Lift & Speaker System Control)

Operates Speaker System

(Front/Rear Speaker Balance 'with BAL quick select) with LED level indicator

(Treble + / -) with LED level indicator

(Bass + / -) with LED level indicator

(Vol + / -) with LED level indicator

(Standby)

(1 x Audio Channel/Mode Selector - 'BT, Aux, TV Optical Sound') with LED indicator

Hub

(2 x 2.1amp 'USB Charging' Socket)

(2 x 3.5mm 'Headphone Jack' Socket) (5V~2A)

(2 x Audio In 'Aux' Socket)

Factory Fitted TV Lift System

Footboard integrated - Lightweight/Whisper-silent, Linear Actuated TV Lift System

(Auto TV Power Cut-Off Feature) During TV Down Operation)

2.4G Radio Frequency Remote Control (Combined TV Lift & Speaker System Control)

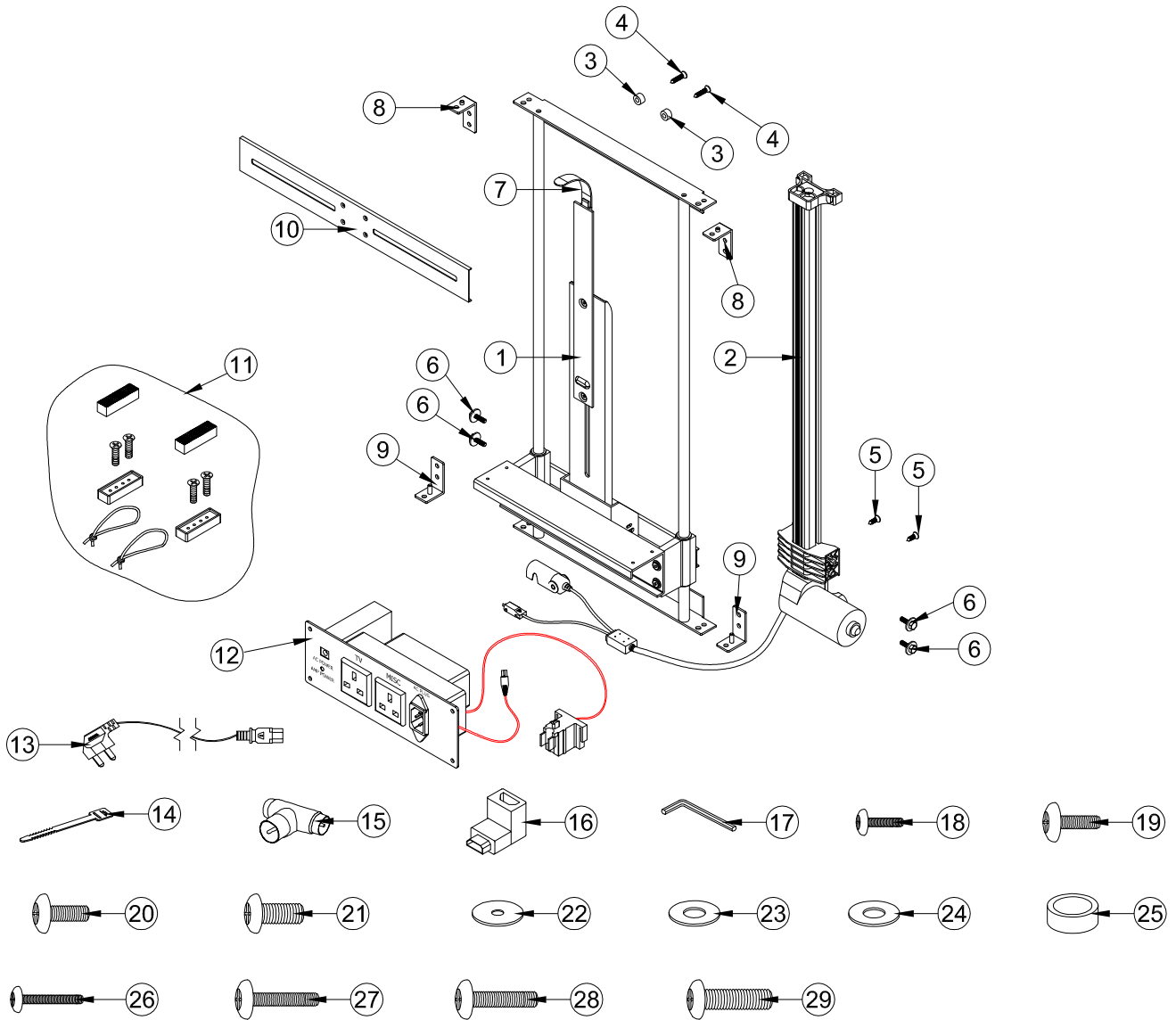
(Operates/Controls TV Lift) Up/Stop/Down Function

Footboard Integrated - Two way Power Supply Extension Box

(TV Power Socket)

(DVD/Satellite/Games Console Power Socket)

G4 TV LIFT MECHANISM- OPTI-SERVE SPARE PARTS LIST



ITEM NO.	PART DESCRIPTION
1	Main TV-lift up mechanism (pre-assemble)
2	TV-linear actuator G4 (pre-fixed)
3	Actuator mounting top spacer (2pcs) (pre-fixed)
4	Cross recessed countersunk flat head wood screw- Top mounting M6 x 30mm (2pcs) (pre-fixed)
5	Cross recessed countersunk flat head wood screw- Top mounting M6 x 20mm (2pcs) (pre-fixed)
6	Actuator mounting bolt- screw M6 x 20mm (4pcs) (pre-fixed)
7	Gooseneck (pre-fixed)
8	Top hanging bracket (2pcs) (pre-fixed)
9	Bottom hanging bracket (2pcs) (pre-fixed)
10	TV- flat bracket (Vesa Bracket) (pre-fixed)
11	TV block (2pcs), screw M4 x 35mm (4pcs), block rubber cover (2pcs), cable management bungee cable (2pcs) (pre-fixed)
12	Power Adapter (1pc) (pre-fixed)
13	TV-lift up mechanism AC/ power-cable power plug
14	Cable clip (2pcs)-use to fix wire
15	Aerial connection (1pc)
16	90 degree HDMI adaptor (1pc)
17	Allen key (M4) (1pc)
18	Pan head screw M4 x 20mm (2pcs)
19	Pan head screw M5 x 20mm (2pcs)
20	Pan head screw M6 x 20mm (2pcs)
21	Pan head screw M8 x 20mm (2pcs)
22	M5 washer (2pcs)
23	M6 washer (2pcs)
24	M8 washer (2pcs)
25	Plastic collar (6pcs)
26	Pan head screw M4 x 40mm (2pcs)
27	Pan head screw M5 x 40mm (2pcs)
28	Pan head screw M6 x 40mm (2pcs)
29	Pan head screw M8 x 40mm (2pcs)

EU Declaration of Conformity



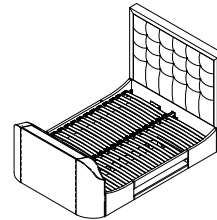
1. Product model: TITAN MEDIA TV BED
2. Product destination : KAYDIAN-UK
3. Name and address of the manufacturer or his authorised representative:

BSSB FURNITURE (M) SDN BHD
LOT NO.8962, JALAN UDANG GALAH,
TELOK GONG, 42000 PORT KLANG,
SELANGOR DARUL EHSAN, MALAYSIA.
TEL : 603 3134 1278
E-mail : Admin@bssbfurniture innovation.com

4. This declaration of conformity is issued under the sole responsibility of the manufacturer.

5. Object of the declaration:

Equipment: TV MEDIA
Brand Name: BSSB FURNITURE
Model / type: TITAN MEDIA TV BED



6. The object of the declaration described above is in conformity with the relevant Union harmonisation legislation:

LVD 2014/35/EU via MD clause 1.5.1	BS EN 60335-1 Household and similar electrical appliances. Safety. General requirements
EMC 2014/30/EU	BS EN 55014-1 Electromagnetic compatibility. Requirements for household appliances, electric tools and similar apparatus. Emission BS EN 55014-2 Electromagnetic compatibility. Requirements for household appliances, electric tools and similar apparatus. Immunity
RoHS 2011/65/EU	BS EN 50581 Technical documentation for the assessment of electrical and electronic product with respect to the restriction of hazardous substances.
MD 2006/42/EC	There is no dedicated Standard related to this type of product, therefore within the hierarchy of compliance this product must comply with all the clauses within the Machinery Directive. The following Standards will support compliance with the clauses in Annex I and can be referred to in the Technical File to further justify compliance. BS EN 1725 Domestic furniture. Beds and mattresses. Safety requirements and test methods BS EN ISO 12100 Safety of machinery. General principles for design. Risk assessment and risk reduction BS EN 349 Safety of machinery - Minimum gaps to avoid crushing of parts of the human body

7. References to the relevant harmonised standards used of references to the other technical specifications in relation to which conformity is declared:

Product code: TV-G4.00(WK), Product name: Mechanism
EMF(LVD+EMC) for mechanism:
EN 55014-2; EN 55014-1; EN 61000-3-3; EN 6100-3-2; EN 60335-1; EN 62233
MD for mechanism:
EN ISO12100
Product code: MMG4.1, Product name: Audio System
LVD+EMC:
EN 60065; EN 550132; EN 55020
RED (LVD+EMC+RADIO) for 2.4GHz controller:
EN 301489; EN 300328; EN 62479; EN 55032

8. Signed for and on behalf of:

BARRY JOHNSON

.....
MANUFACTURER
BSSB Furniture (M) SDN BHD

Please dispose of all packaging safely.

General Care & Maintenance

Wipe clean with a slightly damp cloth.
Avoid the use of all household cleaners and abrasives.

Periodically check all screw & fixings to ensure they are secure.

When moving your product, carefully lift into place. Never drag or push the product across the floor as this will cause damage to the joints. If the product is used on hard flooring, such as wood or laminated floor, you must place some protection under the legs to stop the product from moving. If this is not adhered to, it could result in failure to the product that will invalidate the warranty.

For more information on cleaning and product care visit:
<https://www.happybeds.co.uk/help-and-advice>

Notes

In the unlikely event that you have problems putting this product together or have damaged or missing parts, please contact us by visiting:
<https://www.happybeds.co.uk/customer-service>