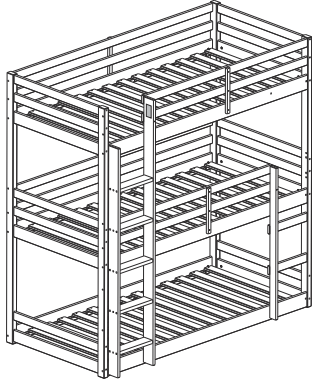
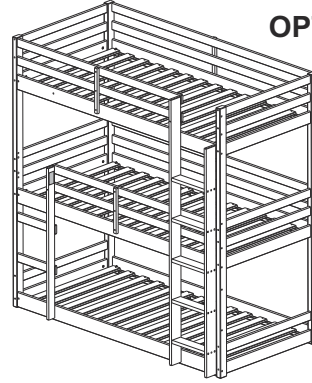


OPTIONS 1



OPTIONS 2



Assembly Instructions

Important before assembly:

Read these instructions carefully before assembling or using the product.

Please check the contents of the boxes before attempting to assemble this product. The instructions will have a checklist of parts and fittings.

Assemble the product as close to its intended final location/room as possible.

Health & Safety:

This product or some parts of this product will be heavy. Please use an assistant when lifting.

Please keep small parts out of reach of children.

Always use on a level, even surface.

DO NOT jump on the product or any of its parts.

DO NOT use this product if any parts are missing, damaged or worn.

DO NOT use this product unless all fixings are secured.

Further instructions are on the following pages.

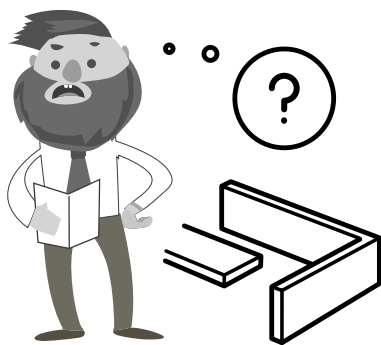
Please keep these instructions for future reference.



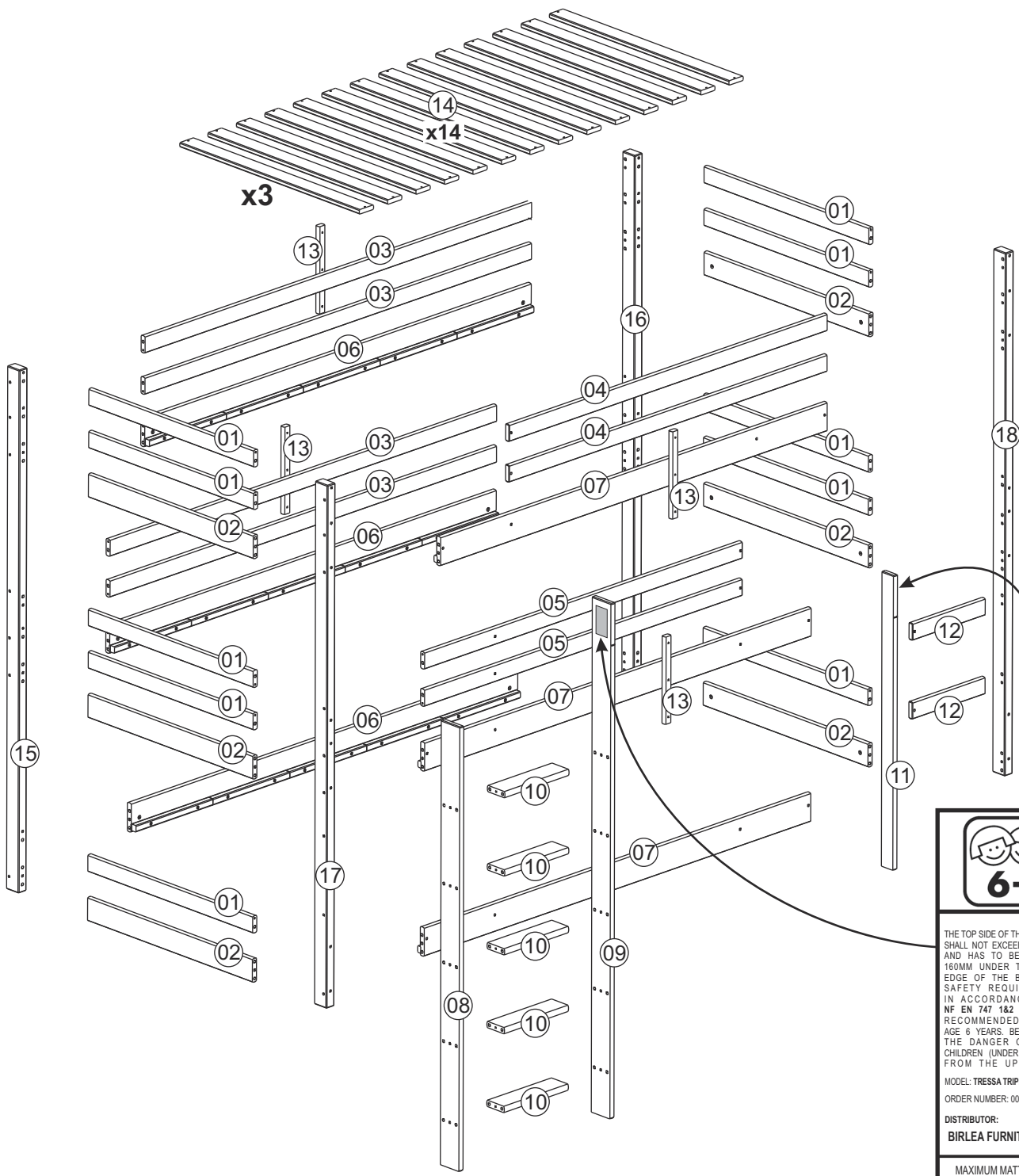
This product or some parts of this product will be heavy. Please use an assistant when lifting.




Never drag or push the pieces across a hard or stone floor as this will cause damage to the joints. Use a carpet or a rug for extra care.



If you have problems assembling or have damaged or missing pieces, please contact our customer services (details at the back of these instructions)



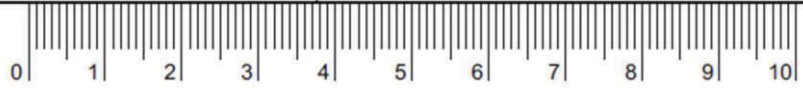
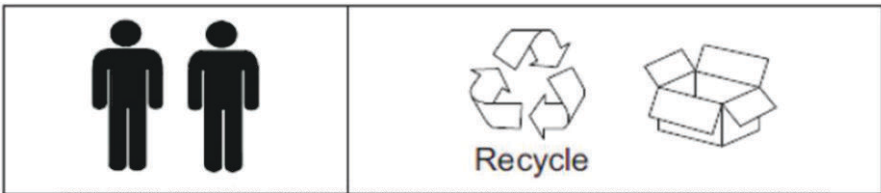
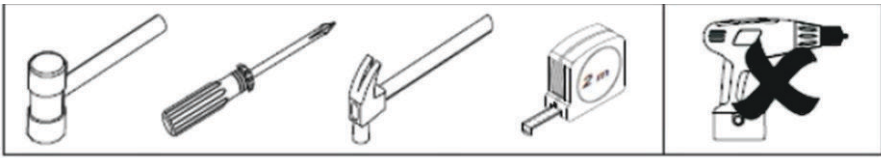


6+










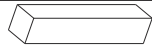



THE TOP SIDE OF THE MATTRESS SHALL NOT EXCEED THE MARK AND HAS TO BE AT LEAST 160MM UNDER THE UPPER EDGE OF THE BED GUARD. SAFETY REQUIREMENTS: IN ACCORDANCE WITH NF EN 747 1&2 + A1: 2015 RECOMMENDED MINIMUM AGE 6 YEARS. BE AWARE OF THE DANGER OF YOUNG CHILDREN (UNDER 6) FALLING FROM THE UPPER BED.

MODEL: TRESSA TRIPPLE BUNK BED
 ORDER NUMBER: 000000
 DISTRIBUTOR:
BIRLEA FURNITURE LTD

MAXIMUM MATTRESS HEIGHT



Parts List		
Part	Description	Qty
01	End Rails	10
02	End Rails	6
03	Back Guard Rail	4
04	Front Guard Rail	2
05	Front Guard Rail	2
06	Back Side Rail	3
07	Front Side Rail	3
08	Small Side of the Ladder	1
09	Long Side of the Ladder	1
10	Step	5
11	Side of the Ladder	1
12	Step	2
13	Rail Support	4
14	Slat	42
15	Left Back Foot	1
16	Right Back Foot	1
17	Left Front Foot	1
18	Right Front Foot	1

Parts List		
Part	Description	Qty
A	1/4" x 110mm Bolt 	12
B	1/4" x 90mm Bolt 	12
C	Barrel Nut 	24
D	7 x 100mm Bolt 	20
E	7 x 80mm Bolt 	14
F	7 x 60mm Bolt 	26
G	4 x 35mm Screw 	100
H	10 x 40mm Wooden Dowel 	102
I	Allen Key 	2
J	70 x 17mm Spacer Block 	2
K	Ø8 Cover Hole 	20
L	Ø10 Cover Hole 	26
M	Cod. 4002 	02

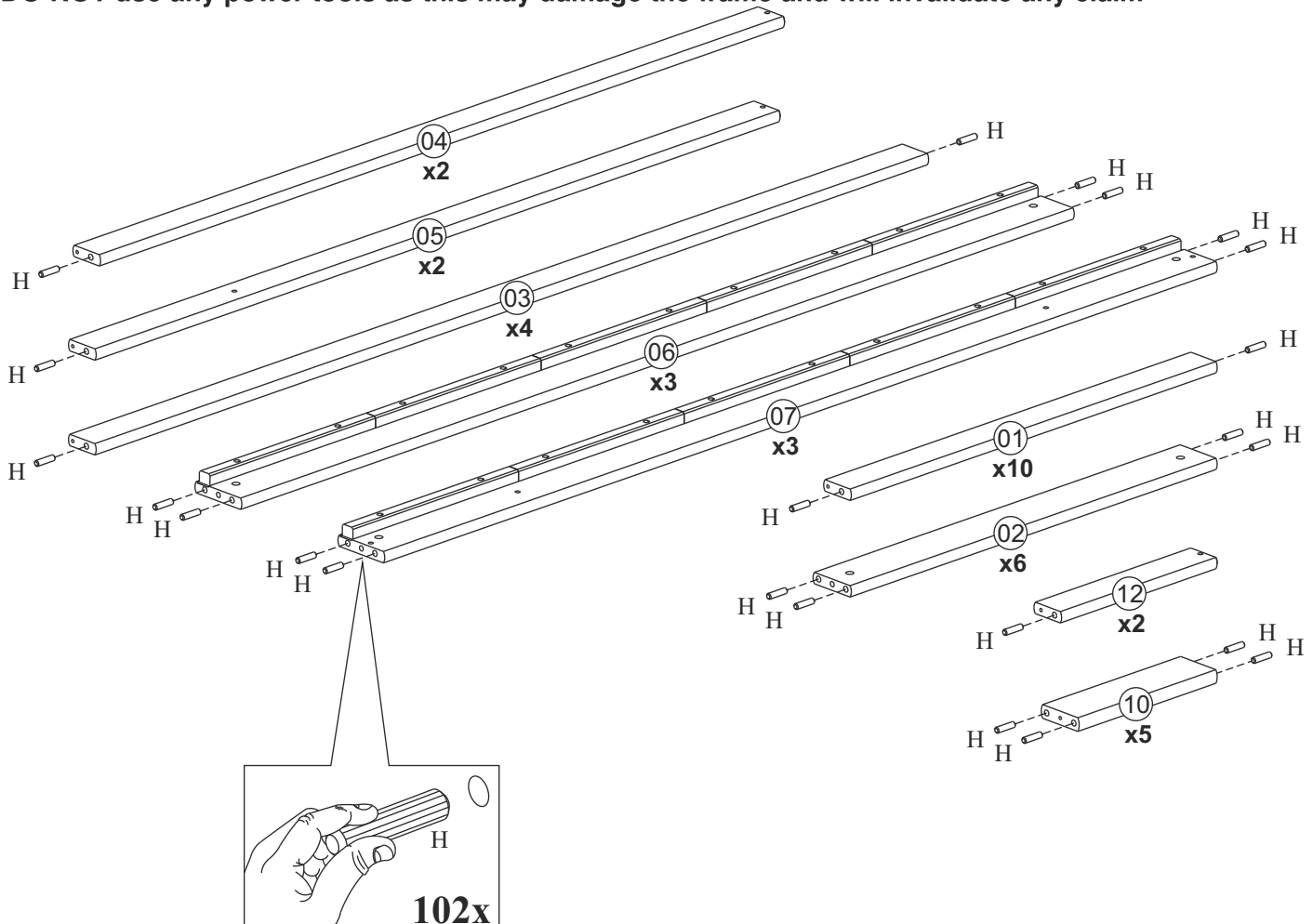
CAUTION

Parts K & L are small parts and can be a choke hazard. These are for decorative purpose only so if you are concerned Please leave out of the assembly.

**** You will need a screwdriver and small mallet (not provided)**

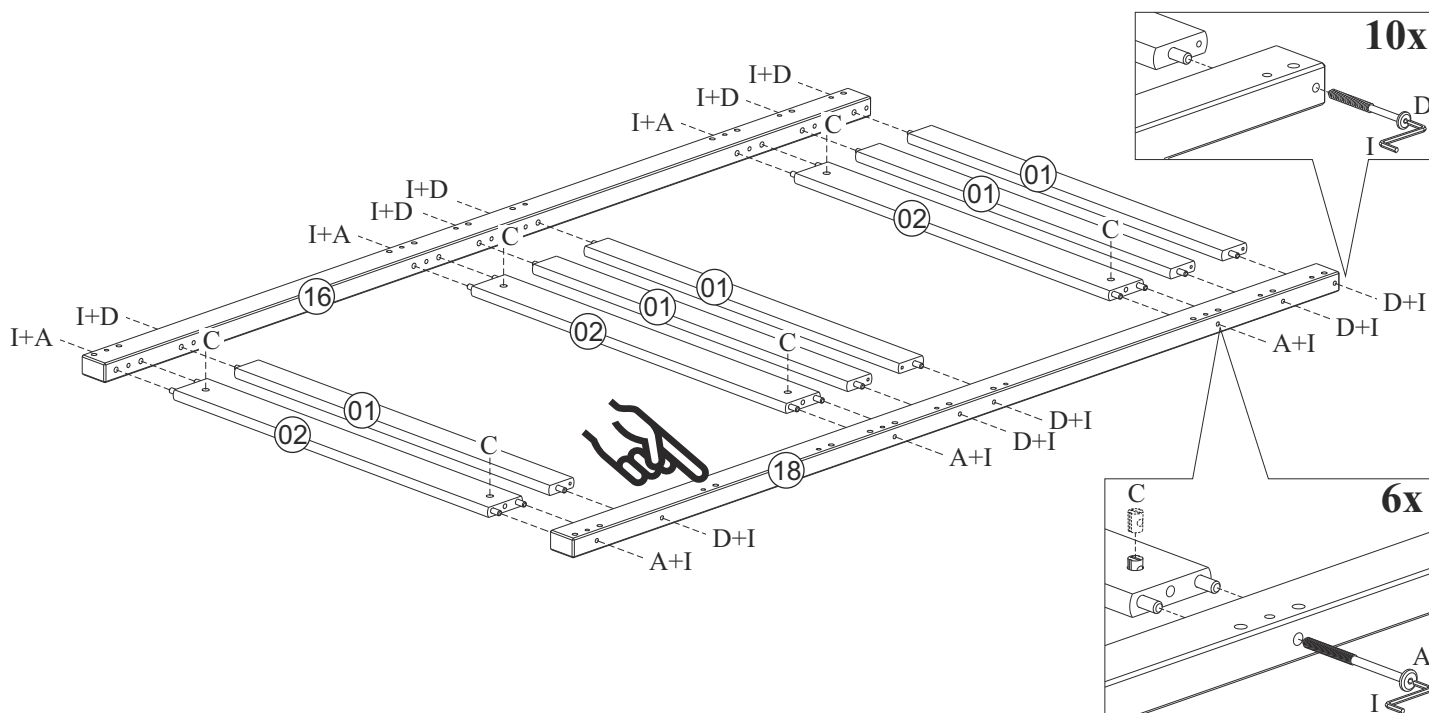
Step 1: Attach Wooden Dowel (H) to parts (1)10x, (2)6x, (3)4x, (4)2x, (5)2x, (6)3x, (7)3x, (10)5x and (12)2x.

DO NOT use any power tools as this may damage the frame and will invalidate any claim



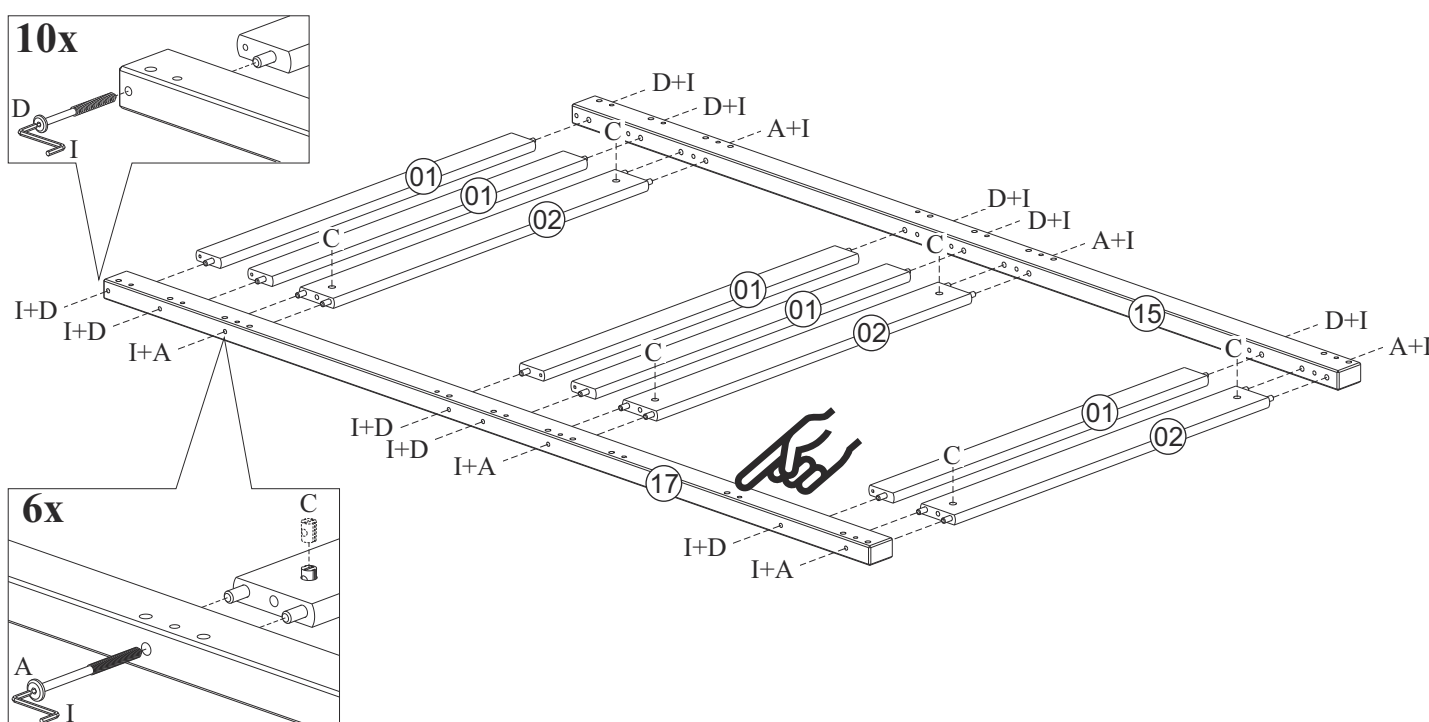
Step 2: Attach the end rails (1) and (2) to the foot (16) and foot (18) using hardware A, C, D and I.

DO NOT use any power tools as this may damage the frame and will invalidate any claim

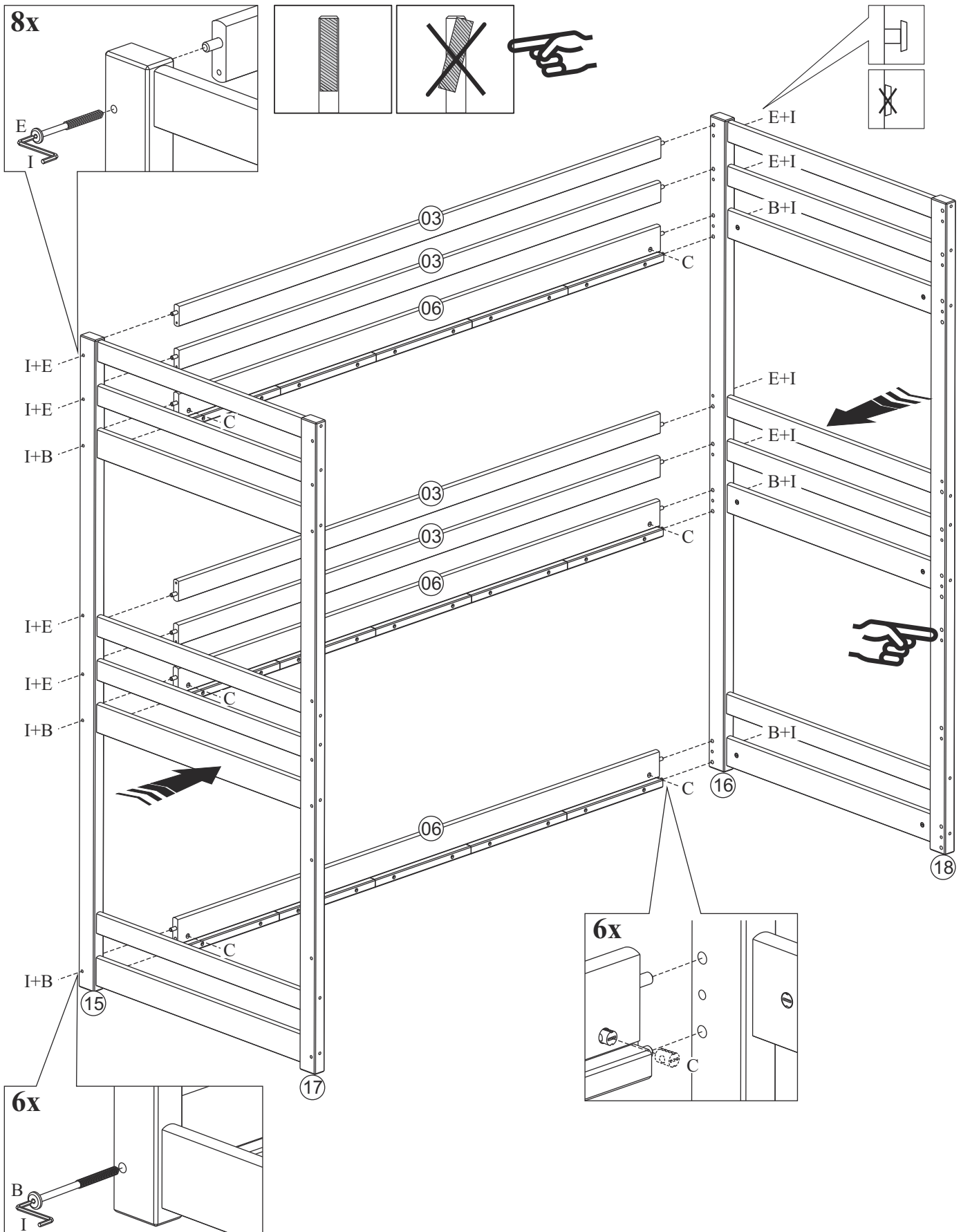


Step 3: Attach the end rails (1) and (2) to the foot (15) and foot (17) using hardware A, C, D and I.

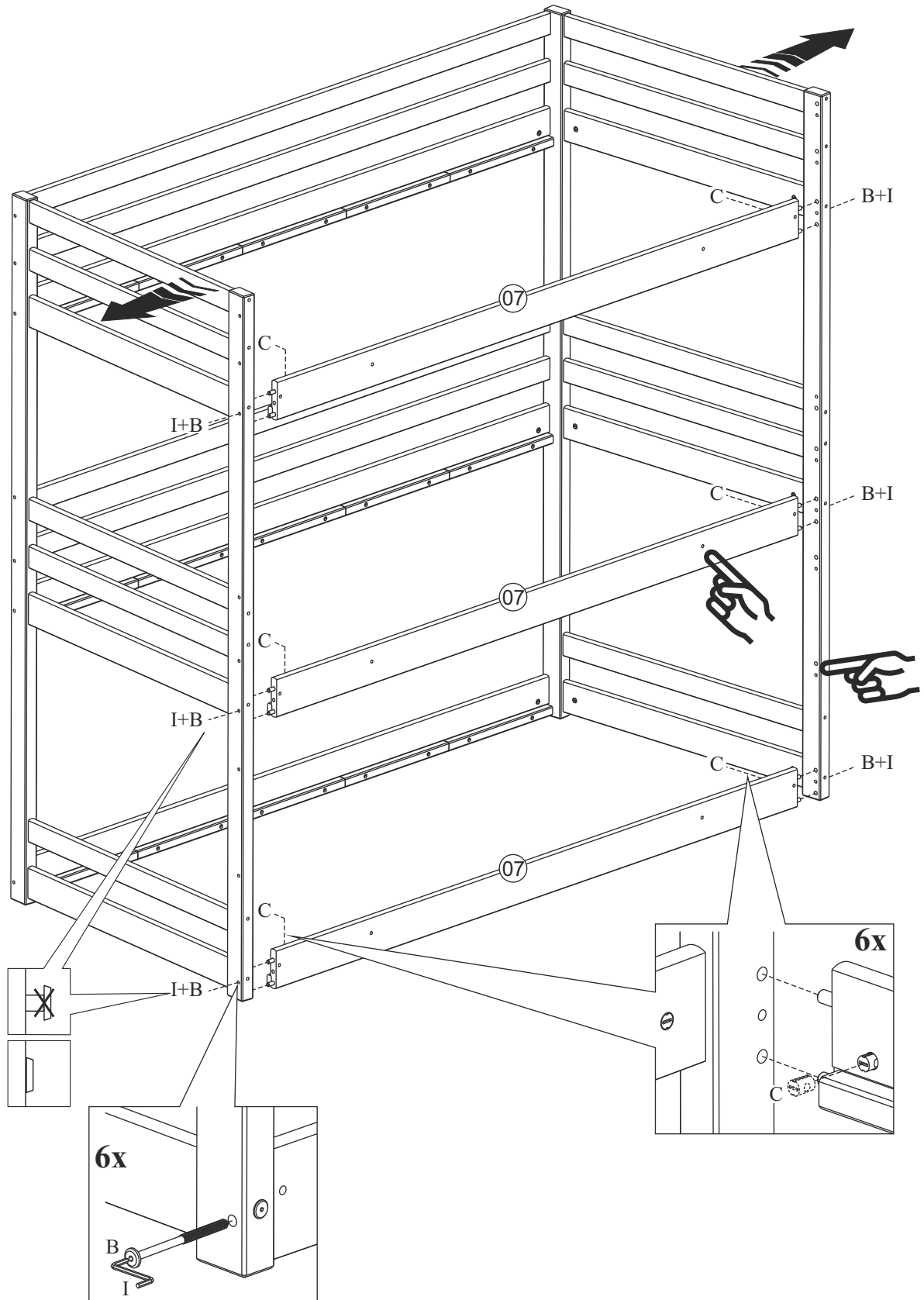
DO NOT use any power tools as this may damage the frame and will invalidate any claim



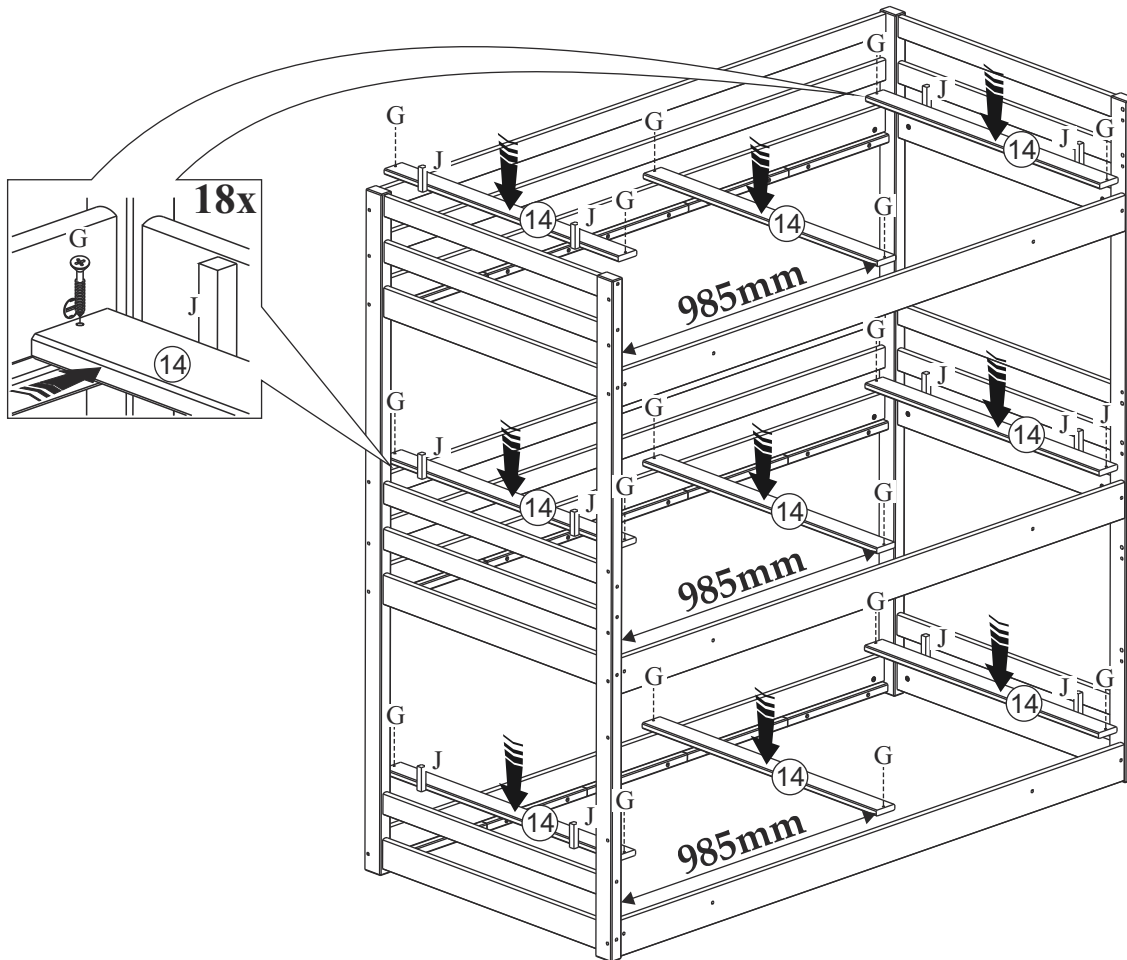
Step 4: Attach the back side rails (6) on the headboards using hardware parts B, C, and I.
Attach guard-rails (3) on the headboards using hardware parts E, and I.
DO NOT use any power tools as this may damage the frame and will invalidate any claim



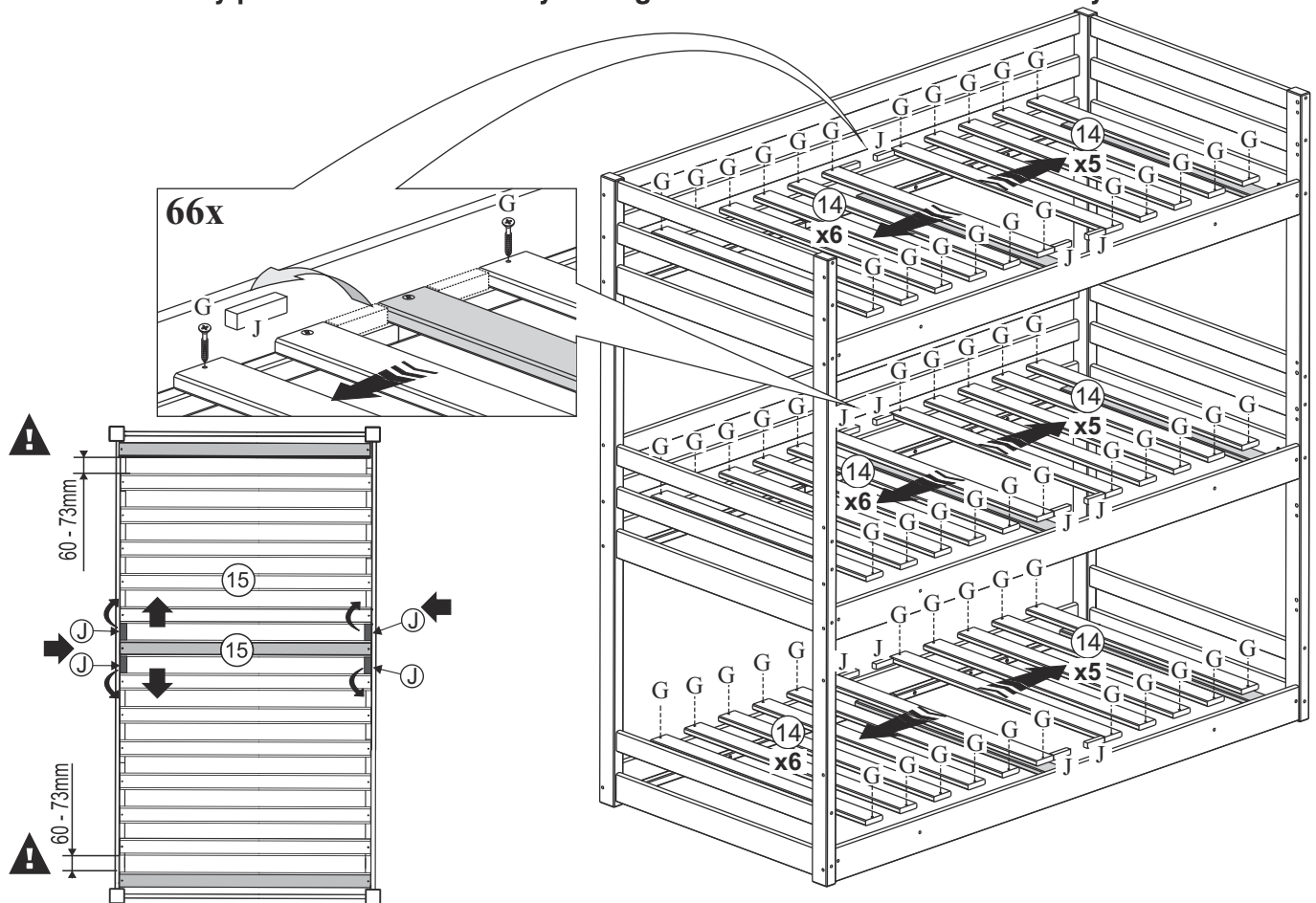
Step 5: Attach the front side rails (7) on the headboards using hardware parts B, C, and I.
DO NOT use any power tools as this may damage the frame and will invalidate any claim



Step 6: Fix the slats (14)9x with screws G and spacer J.
DO NOT use any power tools as this may damage the frame and will invalidate any claim



Step 7: Fix the slats (14)33x with screws G and spacer J.
DO NOT use any power tools as this may damage the frame and will invalidate any claim

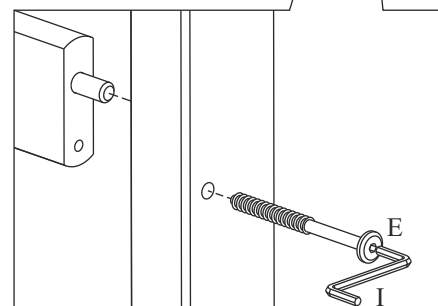
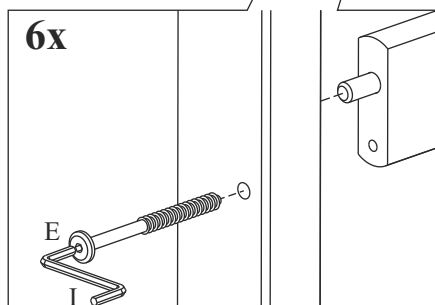
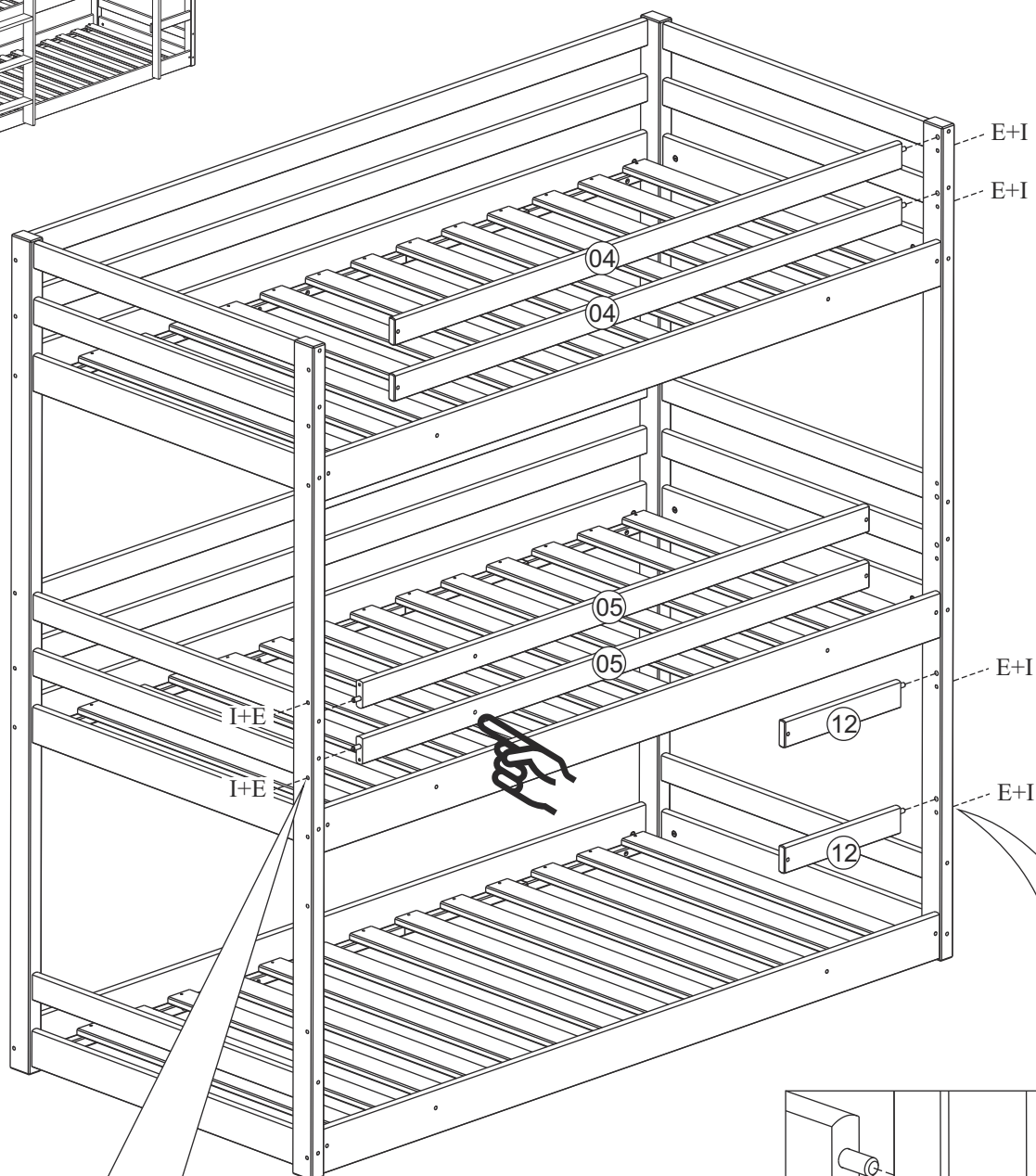
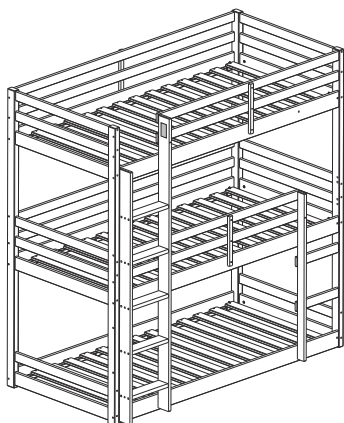


OPTIONS 1

Step 8: Fix the steps (12) 2x with screws E and I.

Fix the parts (4), (5) with screws E and I.

DO NOT use any power tools as this may damage the frame and will invalidate any claim

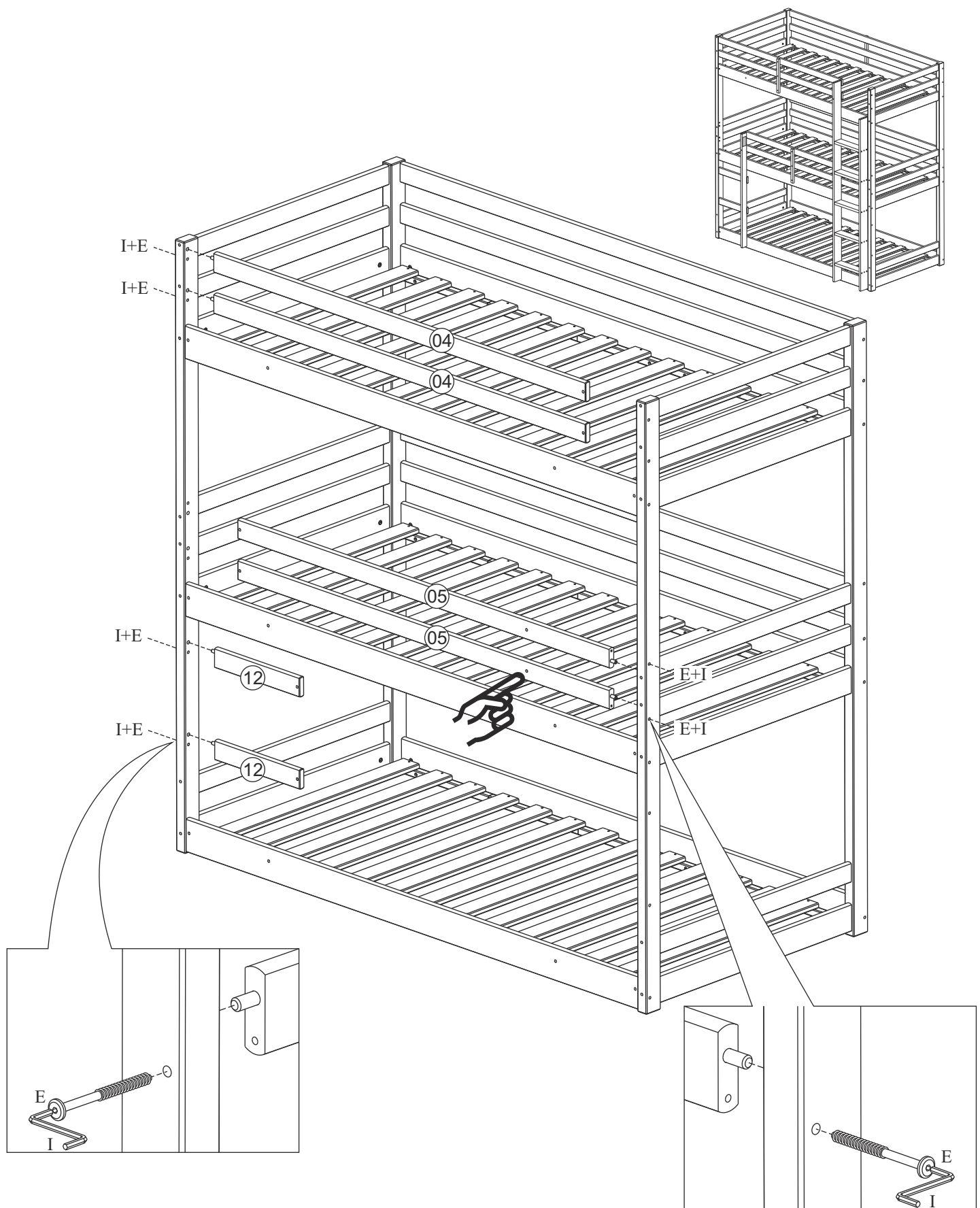


OPTIONS 2

Step 9: Fix the steps (12)2x with screws E and I.

Fix the parts (4), (5) with screws E and I.

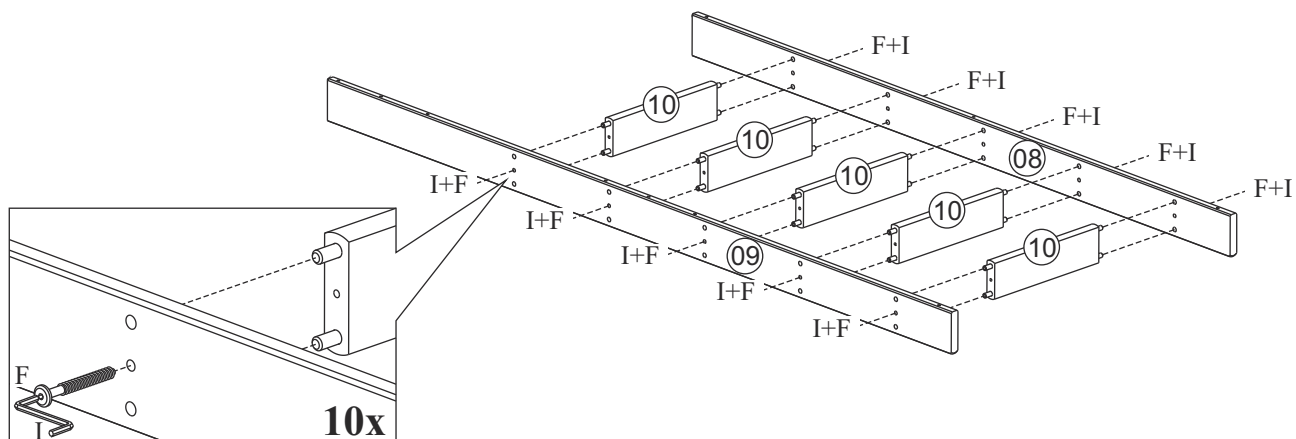
DO NOT use any power tools as this may damage the frame and will invalidate any claim



OPTIONS 1

Step 10: Attach the parts (10) to the smaller side of the ladder (8) and to the larger side of the ladder (9) and secure with screws F and I.

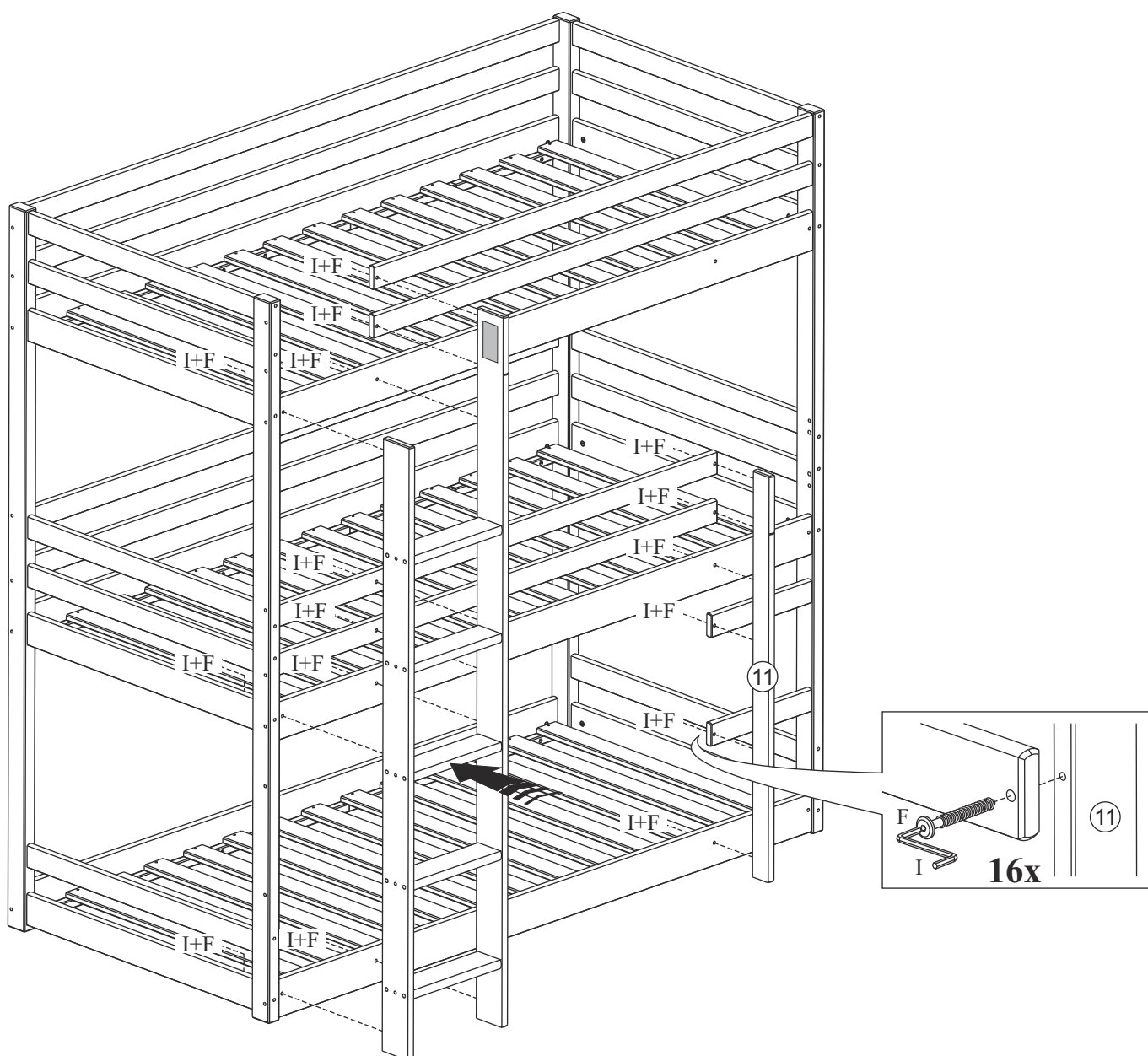
DO NOT use any power tools as this may damage the frame and will invalidate any claim



OPTIONS 1

Step 11: Fix the parts (11) and escada montada with screws F and I.

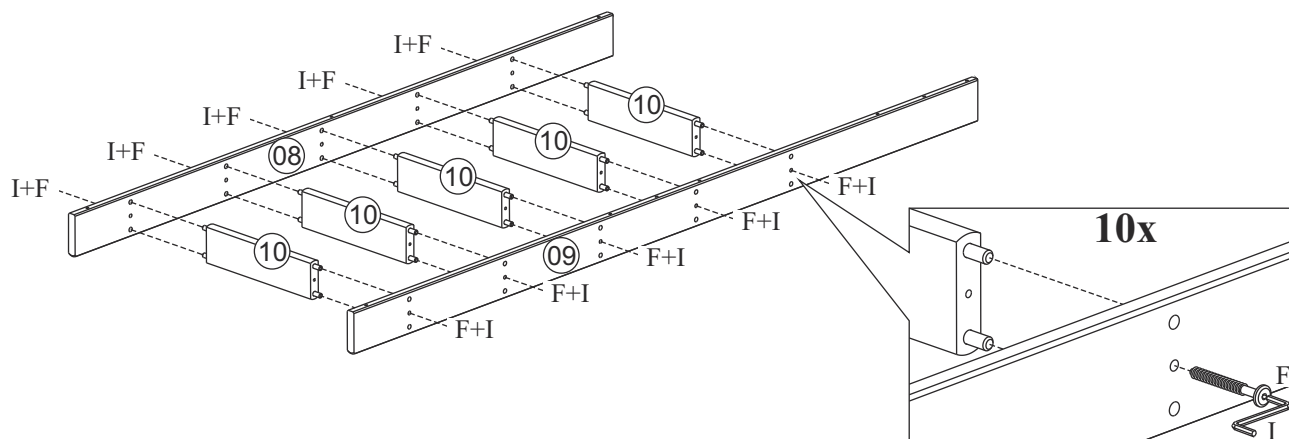
DO NOT use any power tools as this may damage the frame and will invalidate any claim



OPTIONS 2

Step 12: Attach the parts (10) to the smaller side of the ladder (8) and to the larger side of the ladder (9) and secure with screws F and I.

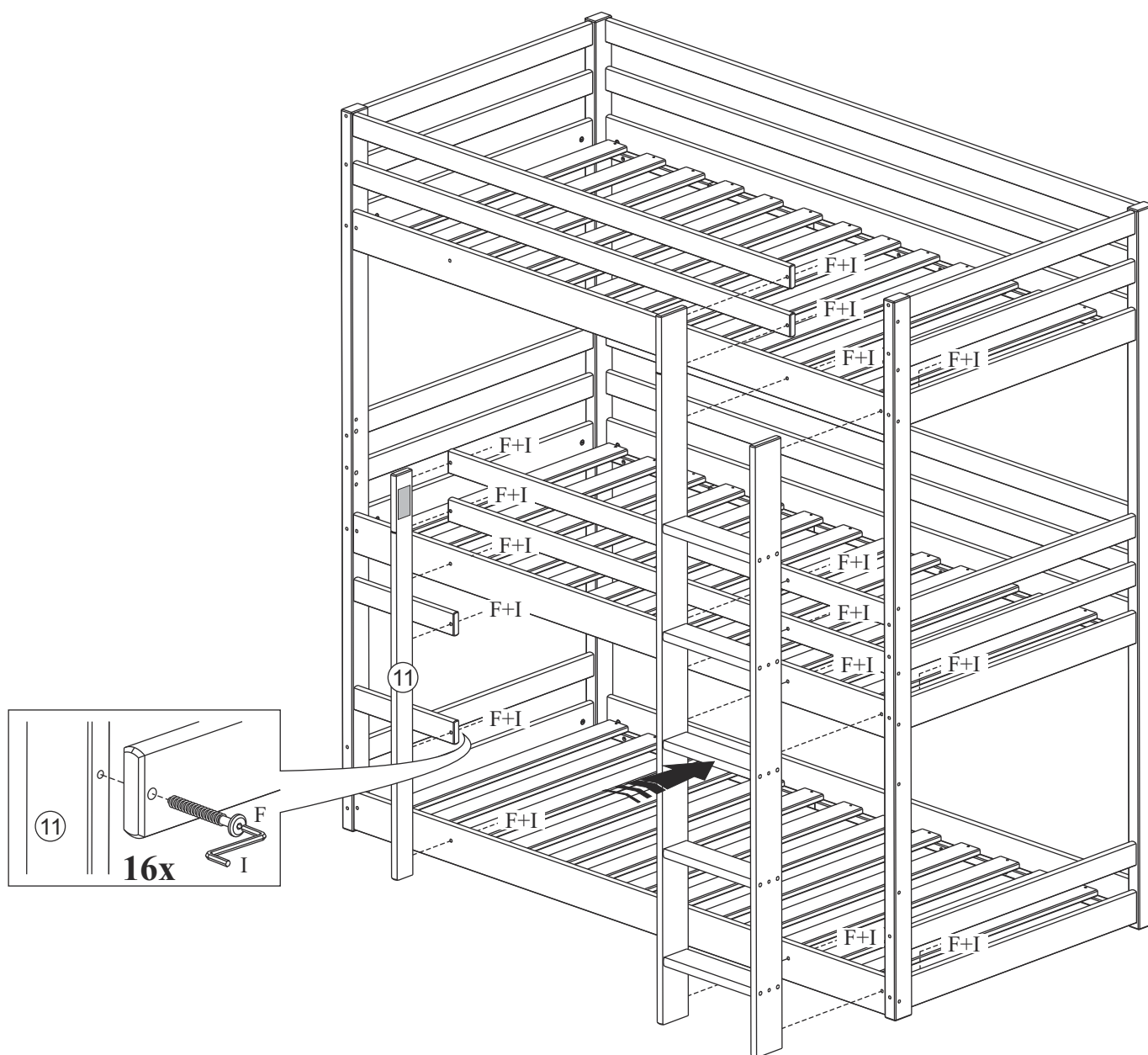
DO NOT use any power tools as this may damage the frame and will invalidate any claim



OPTIONS 2

Step 13: Fix the parts (11) and escada montada with screws F and I.

DO NOT use any power tools as this may damage the frame and will invalidate any claim

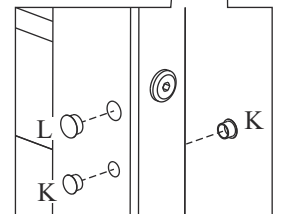
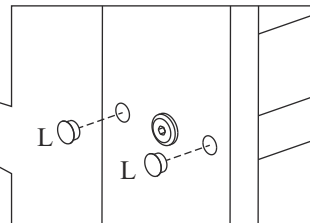
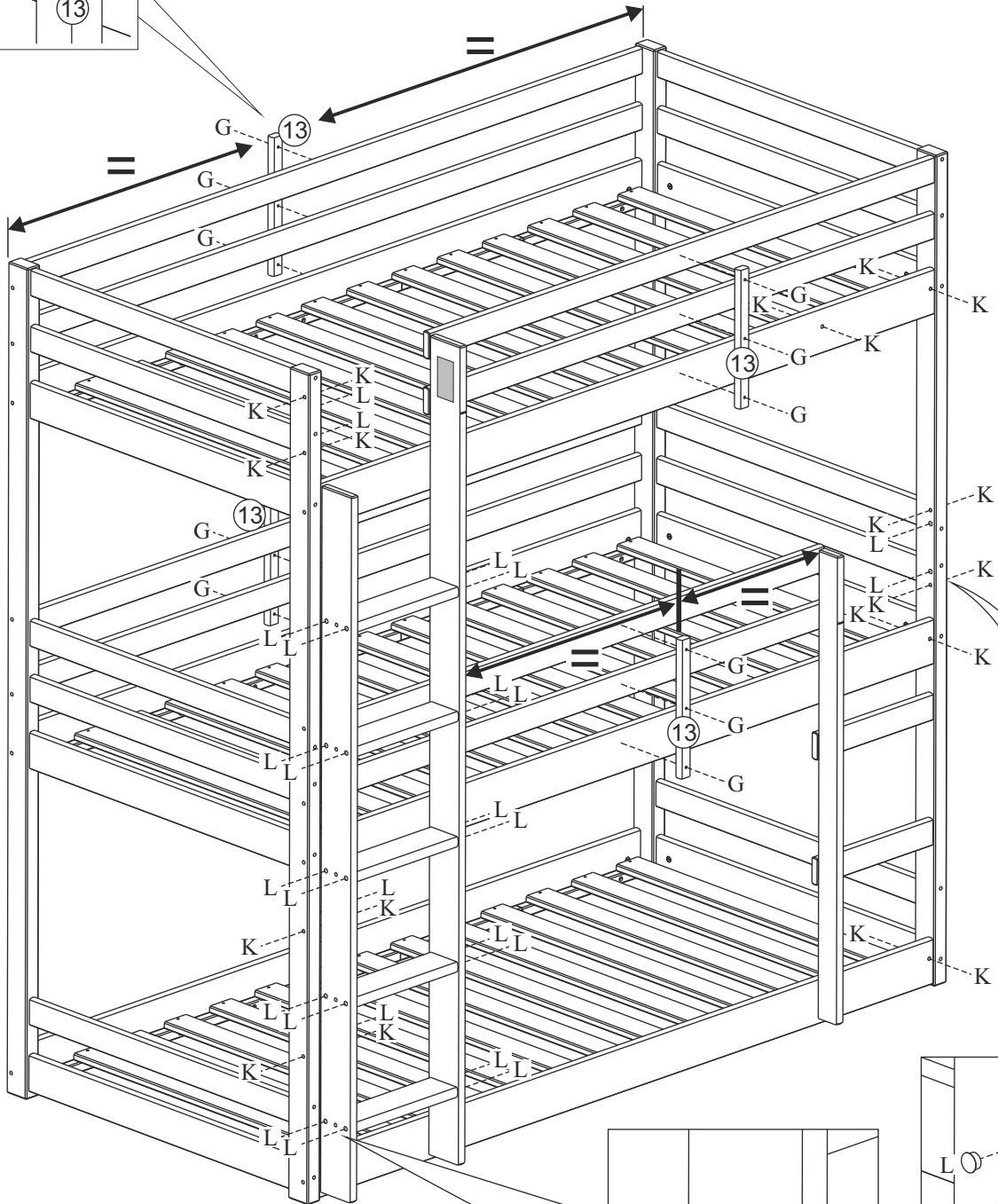
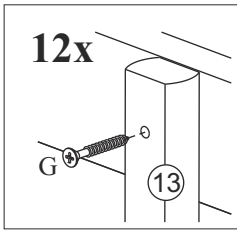


OPTIONS 1

Step 14: Fix the parts (13)4x with screws G.

Use the K and L hole covers to close the extra holes.

DO NOT use any power tools as this may damage the frame and will invalidate any claim



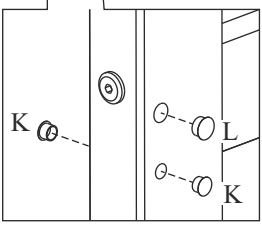
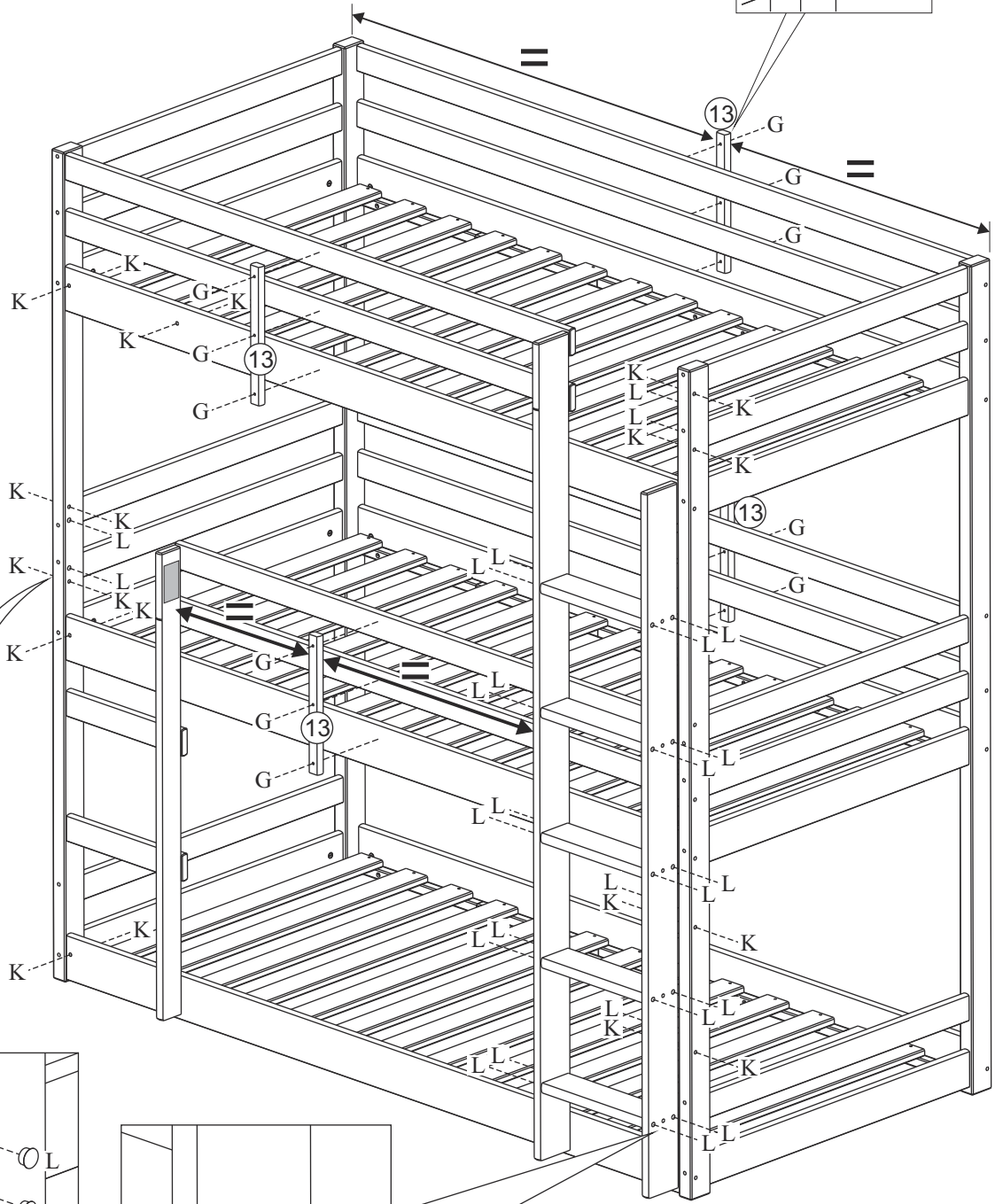
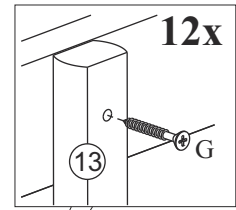
26x - K
20x - L

OPTIONS 2

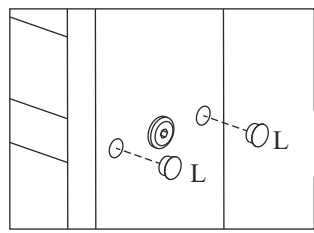
Step 15: Fix the parts (13)4x with screws G.

Use the K and L hole covers to close the extra holes.

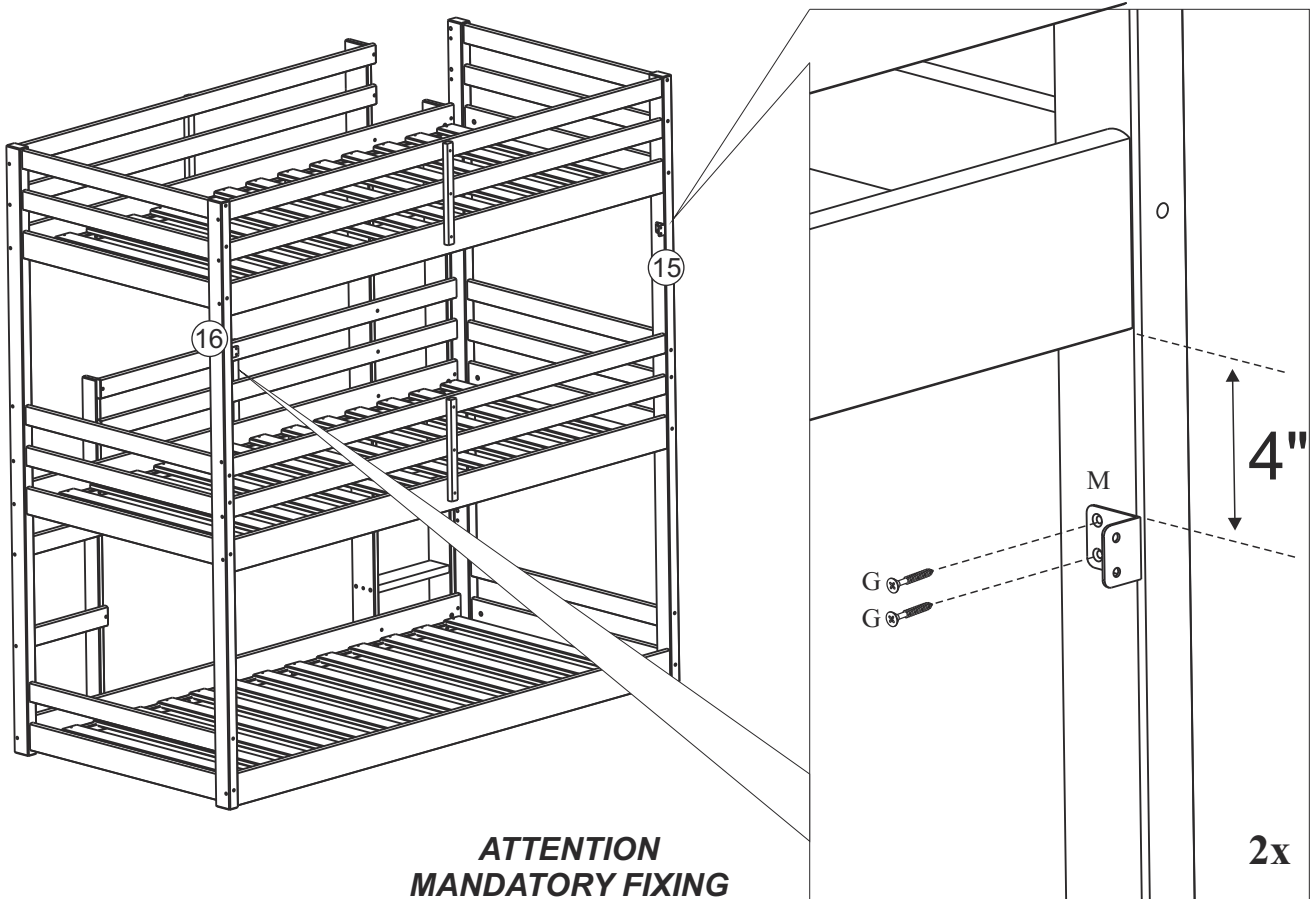
DO NOT use any power tools as this may damage the frame and will invalidate any claim



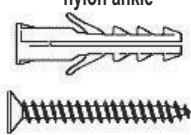
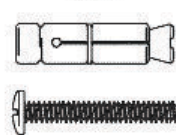
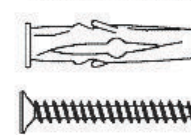
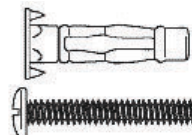
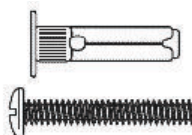
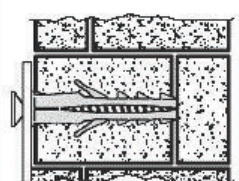
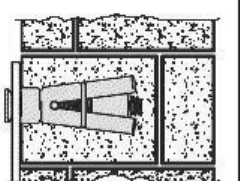
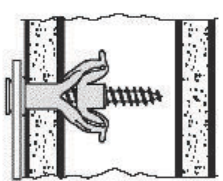
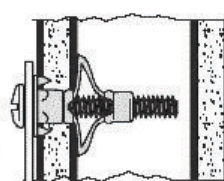
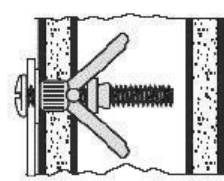
26x - K
20x - L




Step 16: Attach the parts 15 and 16 and secure with screws G and hardware M.



There is a wide variety of types of walls or partitions, which is why we cannot provide you with the exact type of fixing. It is necessary to identify the type of wall to which you are going to attach this product in order to obtain the appropriate fasteners. Here are some examples of fixations recommended for:

THE SOLID WALLS		THE HOLLOW PARTITIONS		
<p>FISCHER nylon ankle</p> 	<p>ANCHOR BOLT</p> 	<p>ANCHOR DOWEL WITH NYLON FINS</p> 	<p>EXPANSION METAL ANCHOR</p> 	<p>MOLLY ANKLE</p> 
				



Use a drill size suitable for the hardware used and the type of wall

Please dispose of all packaging safely.

General Care & Maintenance

Wipe clean with a slightly damp cloth.
Avoid the use of all household cleaners and abrasives.

Periodically check all screw & fixings to ensure they are secure.

When moving your product, carefully lift into place. Never drag or push the product across the floor as this will cause damage to the joints. If the product is used on hard flooring, such as wood or laminated floor, you must place some protection under the legs to stop the product from moving. If this is not adhered to, it could result in failure to the product that will invalidate the warranty.

For more information on cleaning and product care visit:
<https://www.happybeds.co.uk/help-and-advice>

Notes

In the unlikely event that you have problems putting this product together or have damaged or missing parts, please contact us by visiting:
<https://www.happybeds.co.uk/customer-service>