

Assembly Instructions

Important before assembly:

Read these instructions carefully before assembling or using the product.

Please check the contents of the boxes before attempting to assemble this product. The instructions will have a checklist of parts and fittings.

Assemble the product as close to its intended final location/room as possible.

Health & Safety:

This product or some parts of this product will be heavy. Please use an assistant when lifting.

Please keep small parts out of reach of children.

Always use on a level, even surface.

DO NOT jump on the product or any of its parts.

DO NOT use this product if any parts are missing, damaged or worn.

DO NOT use this product unless all fixings are secured.

Further instructions are on the following pages.

Please keep these instructions for future reference.

ASSEMBLY INSTRUCTIONS

Staircase Bunk

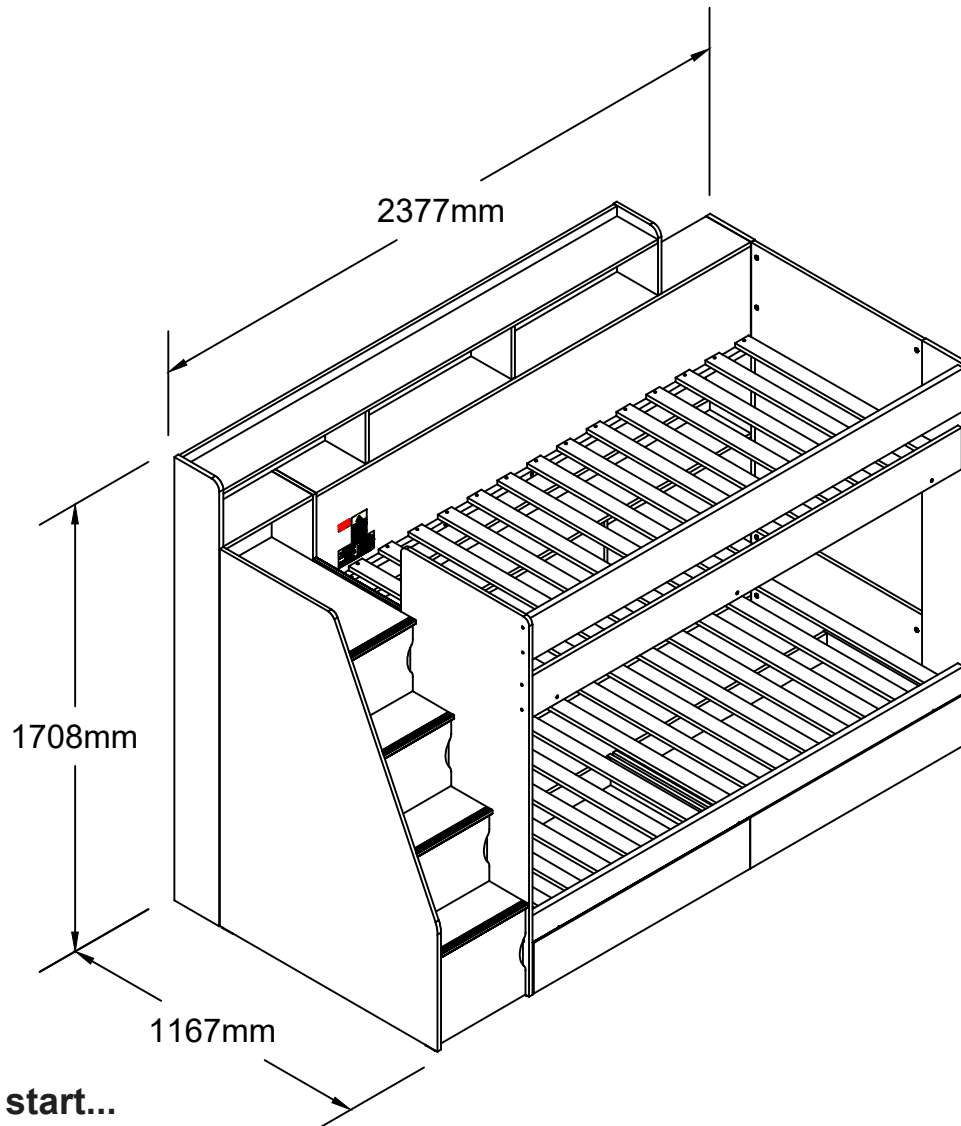
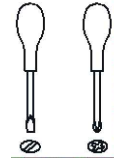
Approximate Assembly Time



People Required to Assemble



Tools Required



Before you start...

Please carefully unpack and lay out all of the component parts to ensure nothing is missing and to check each component for any obvious damage.

Should you identify any concerns at this stage please contact the retailer from whom this product was purchased. Please quote your order number, details of your issue, the product code, and the batch number from the cartons which will help to resolve your issue as quickly as possible.

Version Number - 1.0

Product Code - CAM810/CAM811/TUS001/TUS002/TUS003



Important for High Sleepers, Bunk Beds and Children's Beds

Warning:

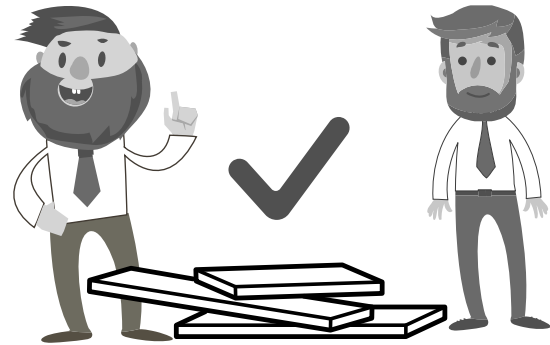
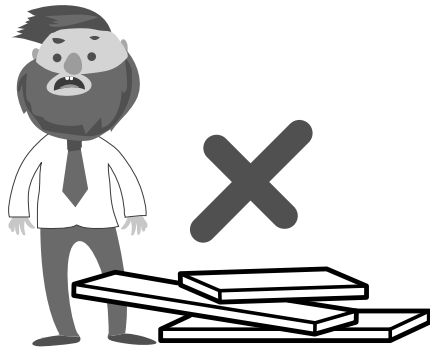
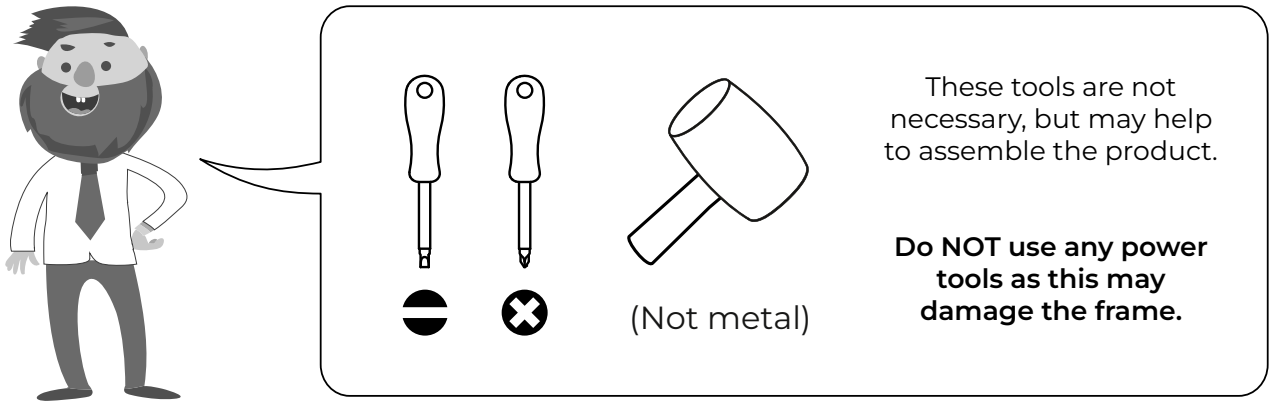
High sleepers and the upper tier of bunk beds are not suitable for children under 6 years of age due to risk of injury from falls.

High Sleepers and Bunk Beds present a risk of injury from strangulation if used incorrectly. Never attach or hang anything on any part of the bed that is not designed to be used with the bed, for example, but not limited to ropes, strings, cords, hooks, belts and bags.

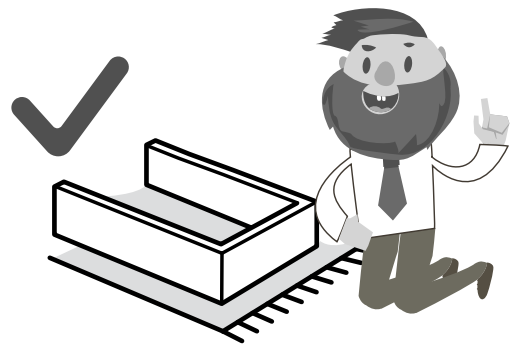
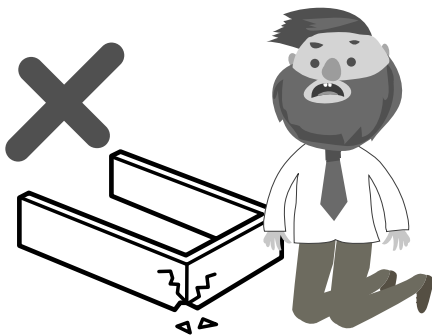
Children can become trapped between the bed and the wall, a roof pitch, the ceiling and other pieces of furniture (e.g. wardrobes). To avoid risk of serious injury, the distance between the top safety barrier and any adjoining structure shall not exceed 75mm or shall be more than 230mm.

Maximum thickness of a mattress on the top tier is 18cm. Please refer to the label or marking on the headboard.

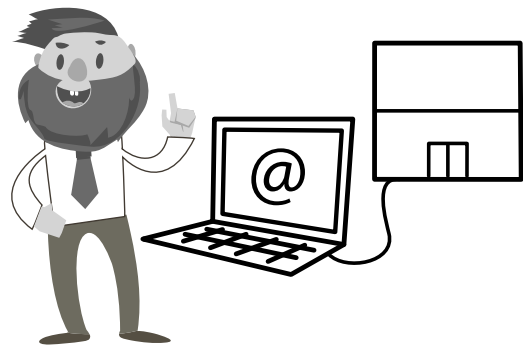
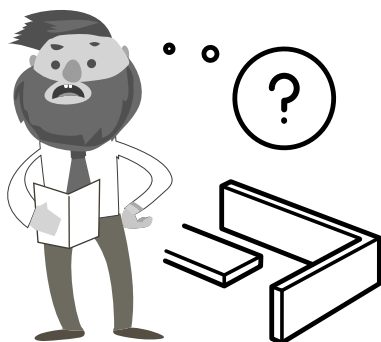
This bed has been tested by an independent laboratory and is in compliance with BS EN 747-1 : 2012+A1:2015 - Standard Consumer Safety specification for bunk beds & high sleepers.



This product or some parts of this product will be heavy. Please use an assistant when lifting.



Never drag or push the pieces across a hard or stone floor as this will cause damage to the joints. Use a carpet or a rug for extra care.



If you have problems assembling or have damaged or missing pieces, please contact our customer services (details at the back of these instructions)

Please check all hardware matches the list below. Should you notice any are missing please contact your retailer.

(A)



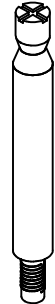
Cam Stud
100PCS

(B)



Cam
109PCS

(C)



Contractfix Dowel
9PCS

(D)



M8 x 25mm
162PCS

(E)



M4 x 45mm
33PCS

(F)



M4 x 38mm
14PCS

(G)



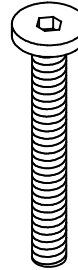
M4 x 14mm
52PCS

(H)



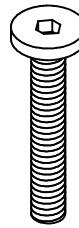
M6 x 13mm
21PCS

(J)



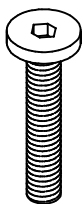
M6 x 50mm
12PCS

(K)



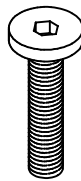
M6 x 40mm
5PCS

(L)



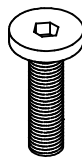
M6 x 35mm
25PCS

(M)



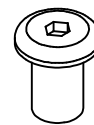
M6 x 30mm
60PCS

(N)



M6 x 25mm
12PCS

(Q)



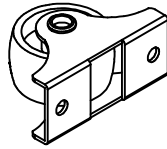
M6
12PCS

We strongly advise that you do not use Power Tools, such as drills or electric screwdrivers during the assembly as this may cause irreparable damage and will invalidate your warranty.



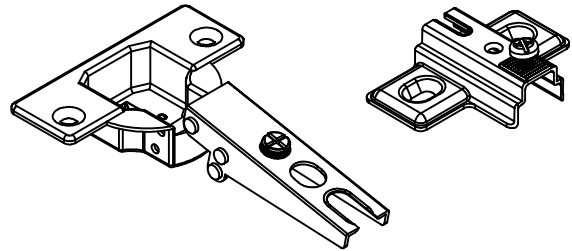
Please check all hardware matches the list below. Should you notice any are missing please contact your retailer.

(P)



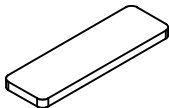
Castor
10PCS

(W)



Hinges Arm
8 SET

(S)



Felt Pads
20PCS

(T)



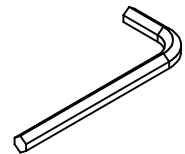
Hole Plug 10mm
4PCS

(U)



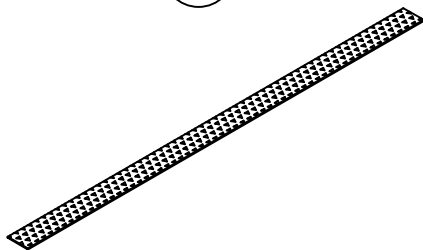
Sticker
23PCS

(V)



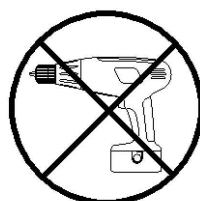
M4
2PCS

(R)

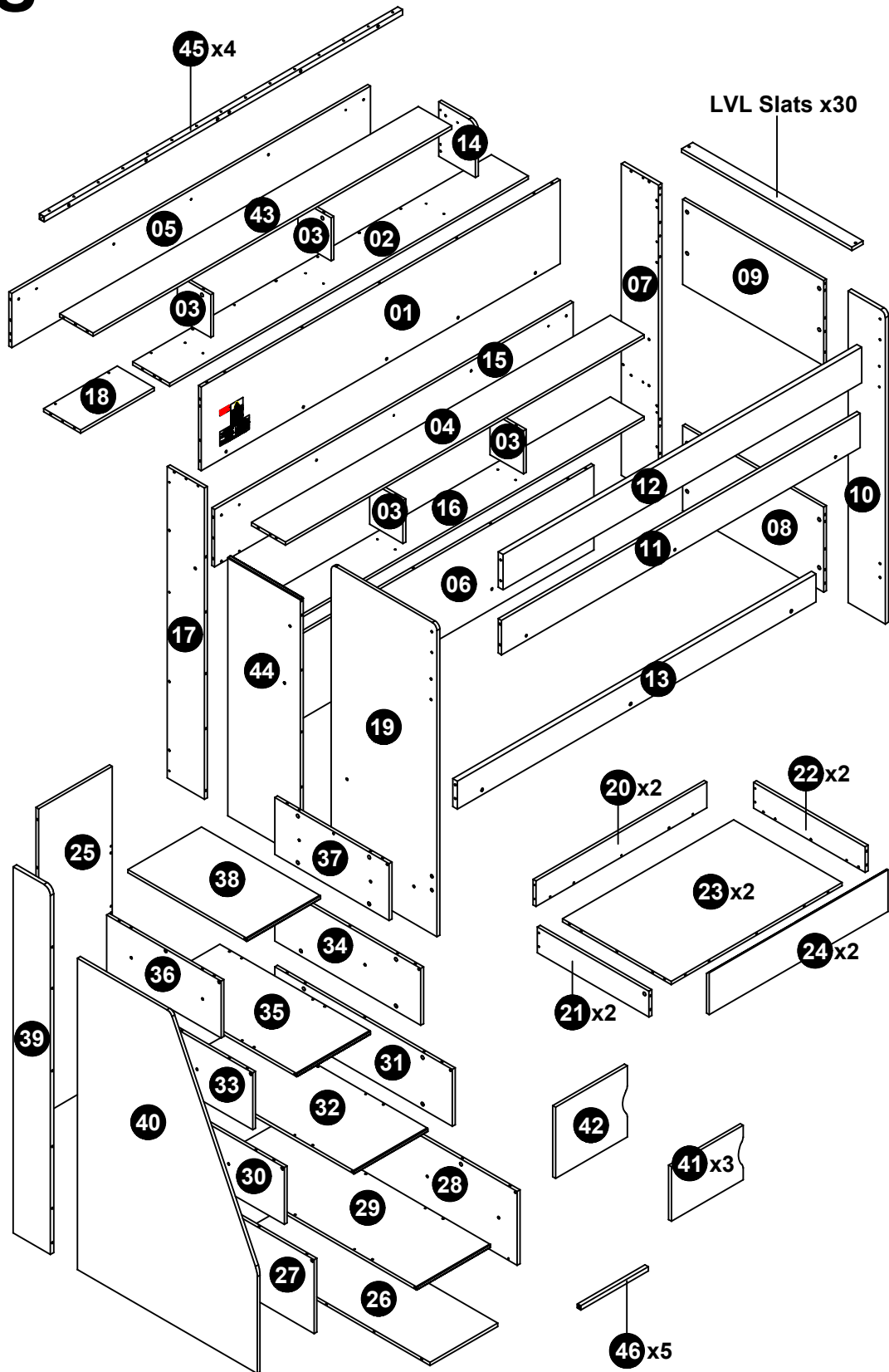


Anti-Slip Black Tape
4PCS

We strongly advise that you do not use Power Tools, such as drills or electric screwdrivers during the assembly as this may cause irreparable damage and will invalidate your warranty.



PARTS



Please ensure you carefully check all the pieces, should you have any concerns please contact the retailer before assembly commences.

Please have your order number, details of the issue, the product code, and the batch number from the cartons as this will help us to resolve your issue much faster.

IMPORTANT INFORMATION

WARNING - High Beds and the upper bed of bunk beds are not suitable for children under six years due to the risk of injury from falls.

WARNING - Bunk beds and high beds can present a serious risk of injury from strangulation if not used correctly. Never attach or hang items to any part of the bunk bed that are not designed to be used with the bed, for example, but not limited to ropes, st rings, cords, hooks, belts and bags.

WARNING - Children can become trapped between the bed and the wall, a roof pitch, the ceiling, adjoining pieces of furniture (e.g.cupboards) and the like. To avoid risk of serious injury the distance between the top safety barrier and the adjoining structure shall not exceed 75mm or shall be more than 230mm.

WARNING - Do not use the bunk bed / high bed if any structural part is broken or missing. It is recommended that you always follow the manufacturer's instructions to assemble this product.

Always follow the manufacturer's recommended mattress size, as per these instructions and the bunk bed / high bed maximum mattress height marking on the item:

Recommended Mattress Size: 90cm x 190cm (UK Single) with Minimum Depth of 17.0cm

It is necessary to frequently ventilate the room in order to keep the humidity low and to prevent mould in and around the bed.

Please periodically check all the fixings of the item and re-tighten when necessary.

This item conforms to European Safety Standards - BS EN 747-1: 2012 + A1: 2015.

IMPORTANT SAFETY WARNING!
DO NOT PLACE THE MATTRESS ABOVE
THE LINE MARKED ABOVE AND DO NOT
REMOVE THIS LABEL


Warning

To help prevent serious or fatal injuries from entrapment or falls:

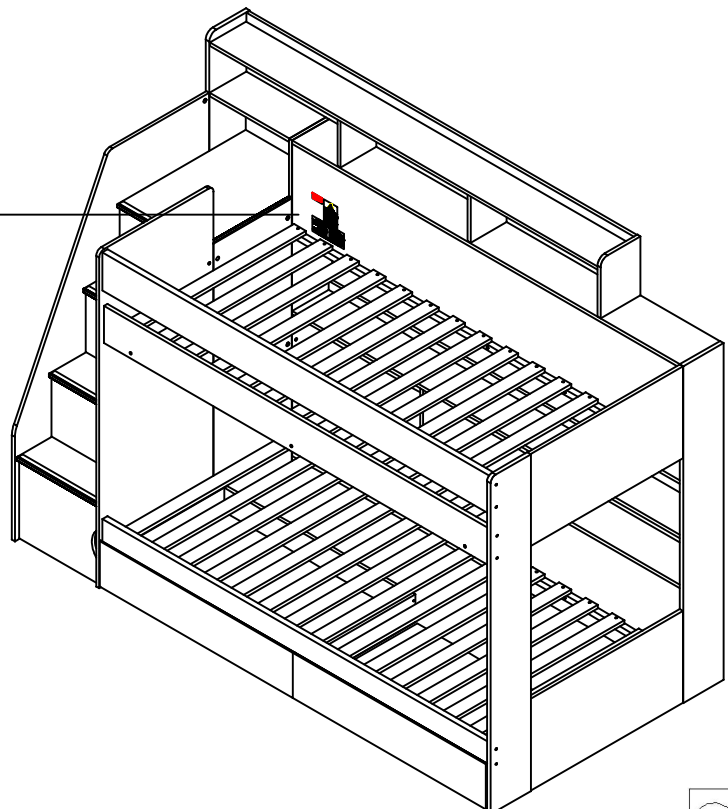
Strangulation Hazard - Never attach or hang items to any part of the bunk bed that are not designed for use with this bed, for example, but not limited to, hooks, belt, bags, ropes and clothing.

Never allow a child of under 6 years on upper bunk.

Use ladder for entering and leaving upper bunk.

Prohibit more than one person on upper bunk.

THIS LABEL IS NOT TO BE REMOVED	
CAMELOT Staircase Bunk Product Code - CAM810/CAM811	CERTIFICATION LABEL
Distributed by: Julian Bowen Limited Bentnick House, Park Lane Business Park, Kirkby-in-Ashfield, Notts, NG17 9LE Factory ID: Manufactured in Malaysia Date of Manufacture: January 2016	This bunk bed model has been tested by an independent laboratory and is in compliance with EN 747-1:2012 + A1:2015 - Standard Consumer Safety Specification For Bunk Beds & High Beds
WARNING: This upper bed is not suitable for children under six years	



Safety Advice

Please take the time to carefully read through the whole of these instructions before you commence.

Keep these instructions for future reference.

Unpack, inspect and check off all of the contents.

Please dispose of all packaging safely.

Small component parts could choke a child if swallowed.

We strongly recommend that you keep children well away from the work area.

It would be sensible to lay a sheet or blanket on the floor where you intend to work to avoid scratching this product and to protect your floor.

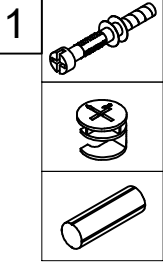
This product is heavy. Take extreme care when lifting to avoid personal injury or damage to the product.

Assemble the product as close to its intended final position in the room as possible.

HANDY HINT: If you keep the hardware in a bowl during assembly you will be less likely to lose them.

We strongly urge that you do not use Power Tools, such as drills or electric screwdrivers during this assembly as this could cause irreparable damage to your product and will invalidate the warranty.

"WARNING: In order to prevent overturning this product must be used with the wall attachment device provided."



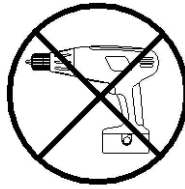
A x 5



B x 26



D x 39

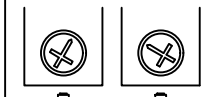


WHEN FITTING CAMS

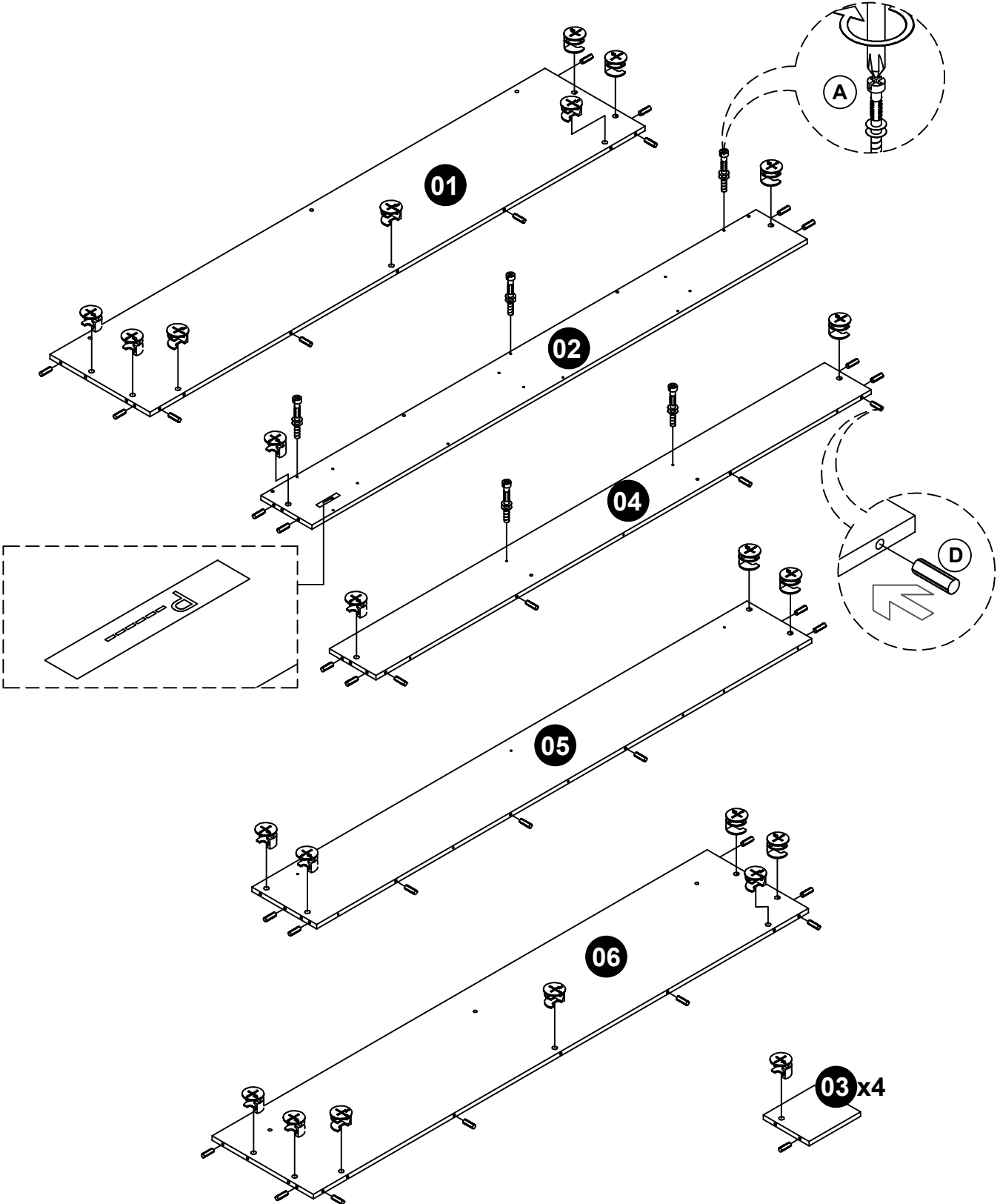
ENSURE STARTING POSITION IS CORRECT BEFORE YOU INSERT CONNECTING BOLT TURN CLOCKWISE UNTIL SECURE

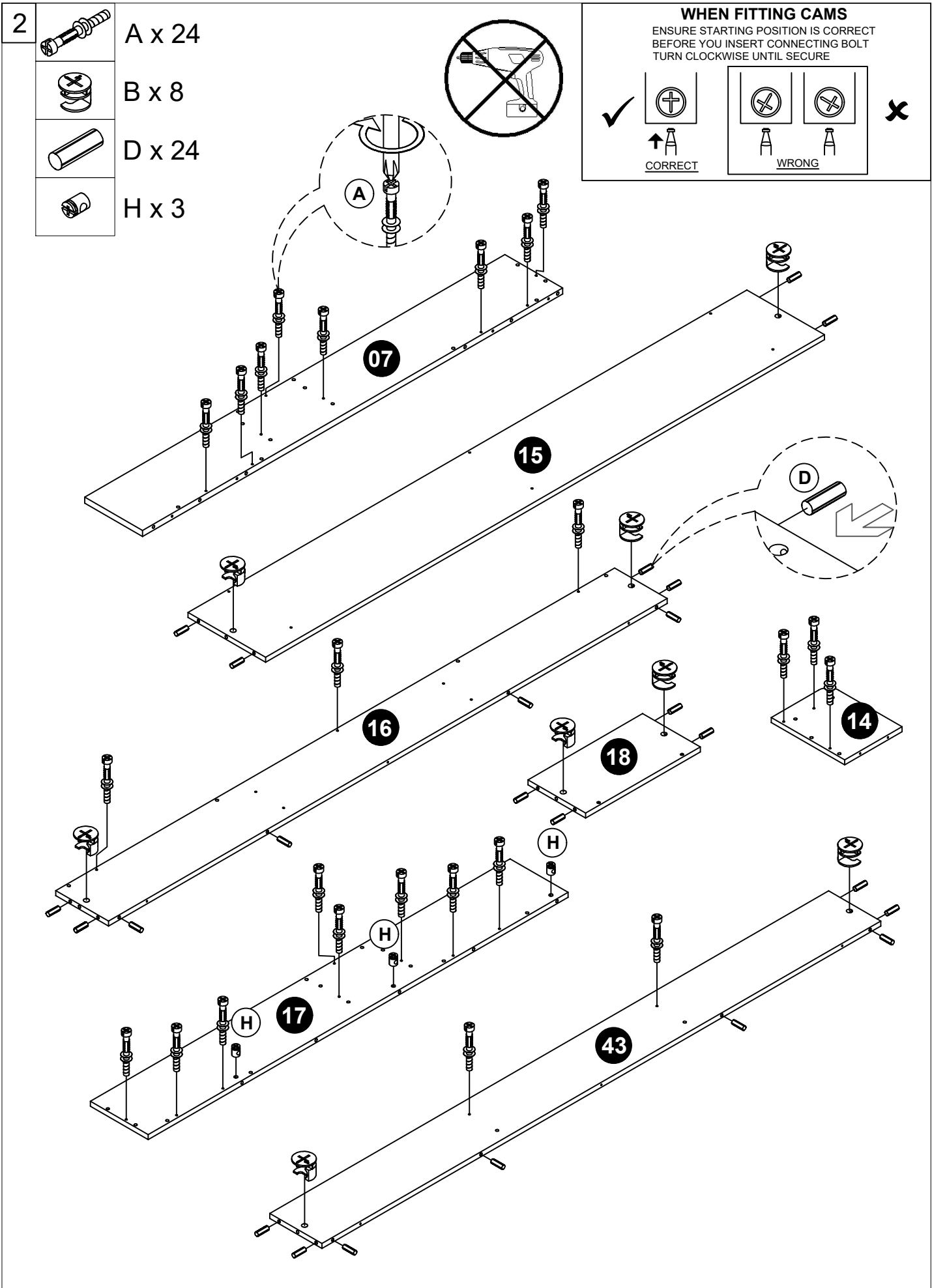


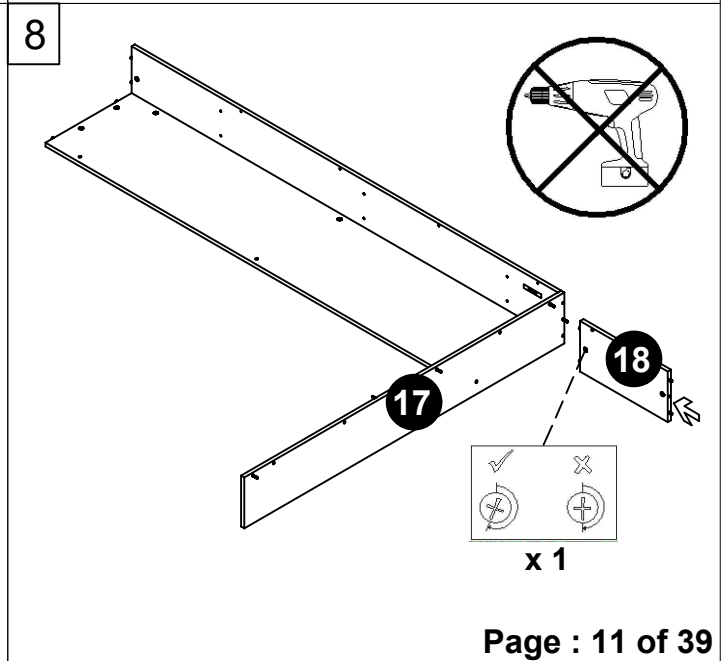
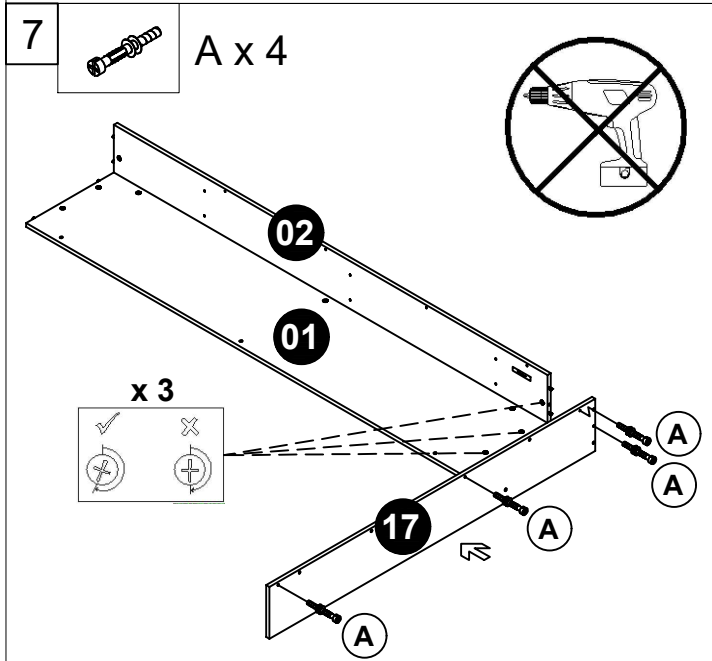
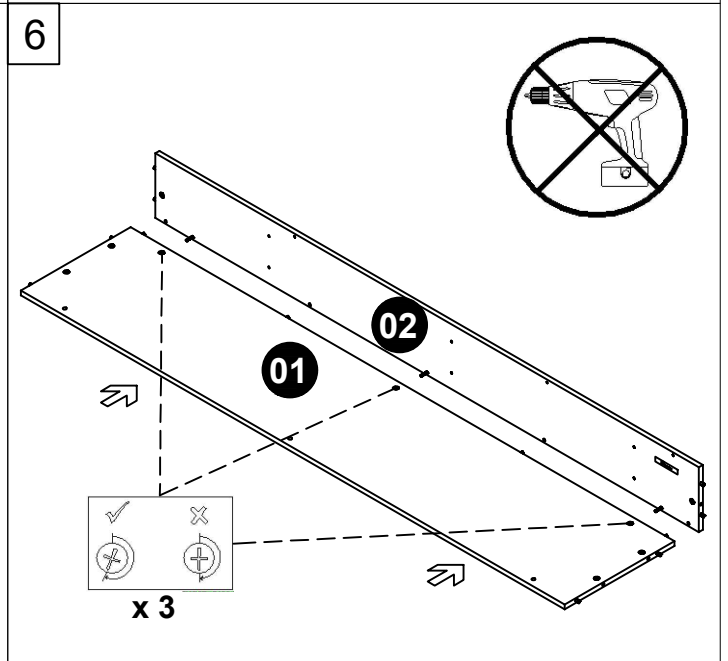
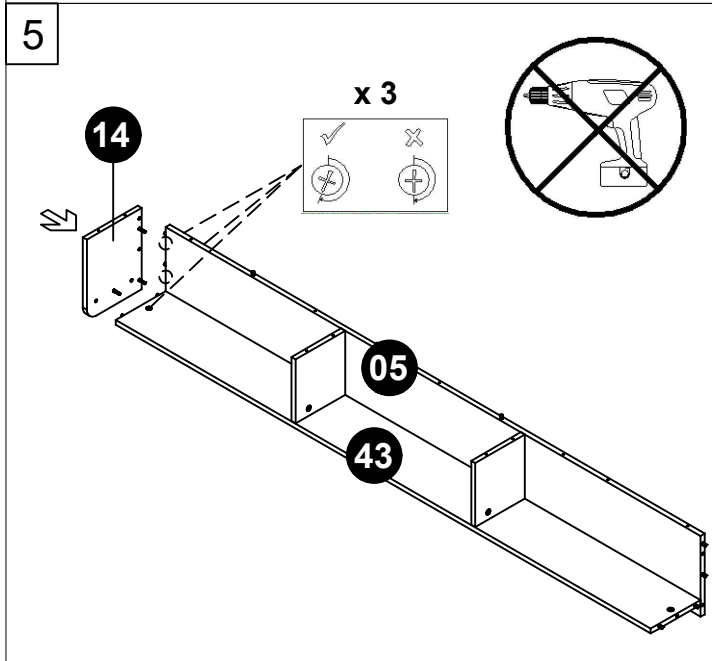
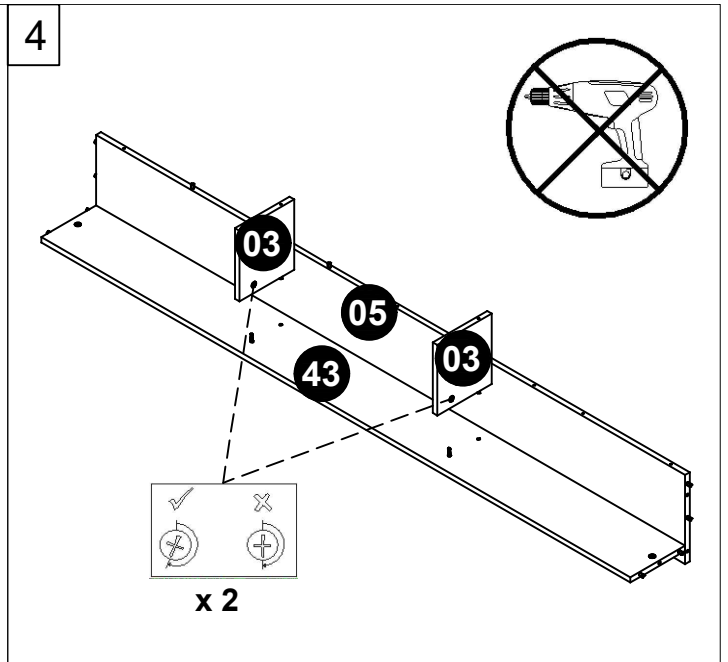
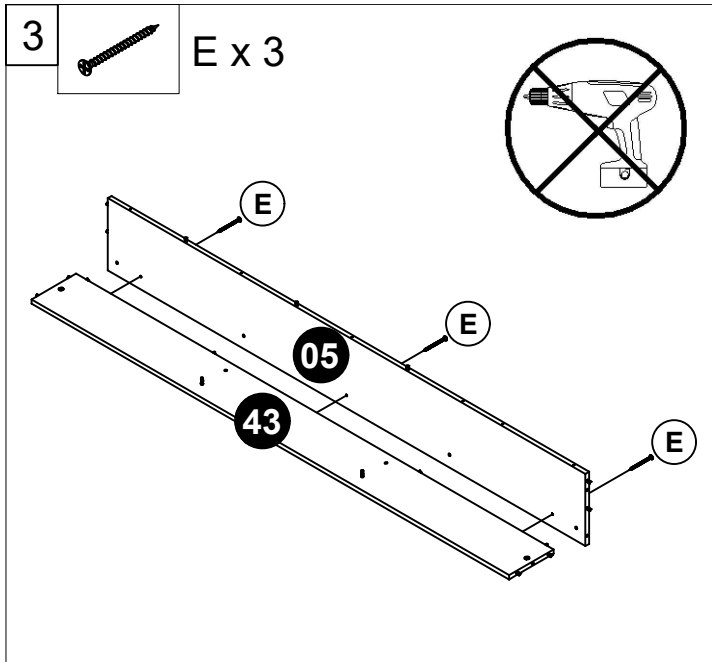
CORRECT



WRONG



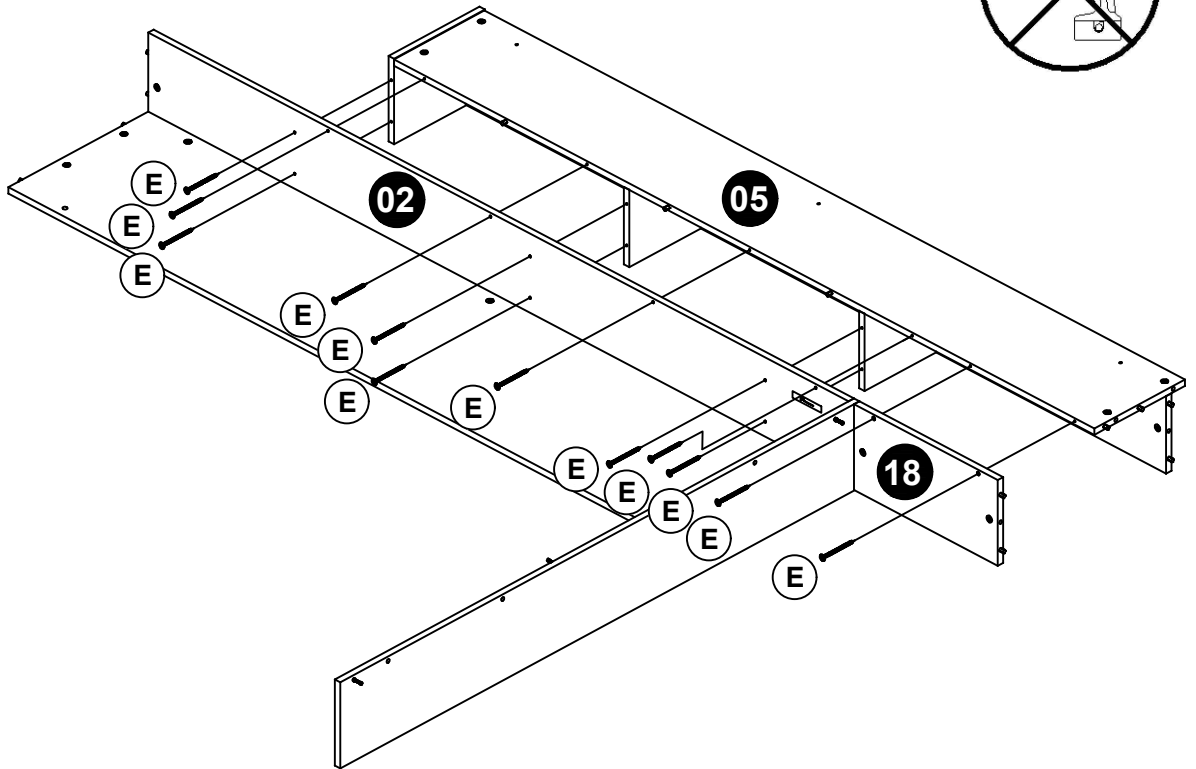




9



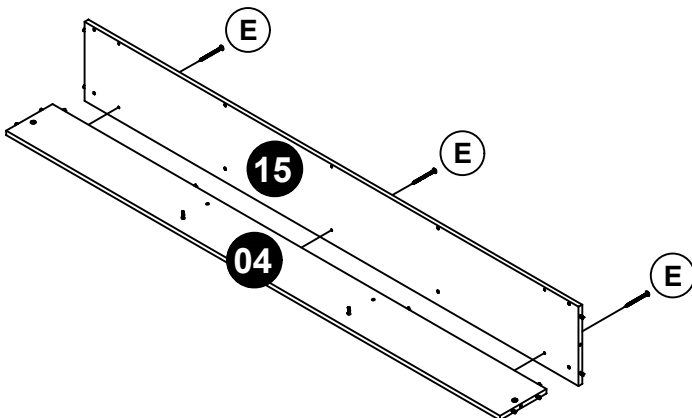
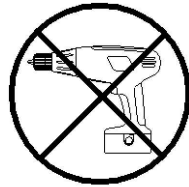
E x 12



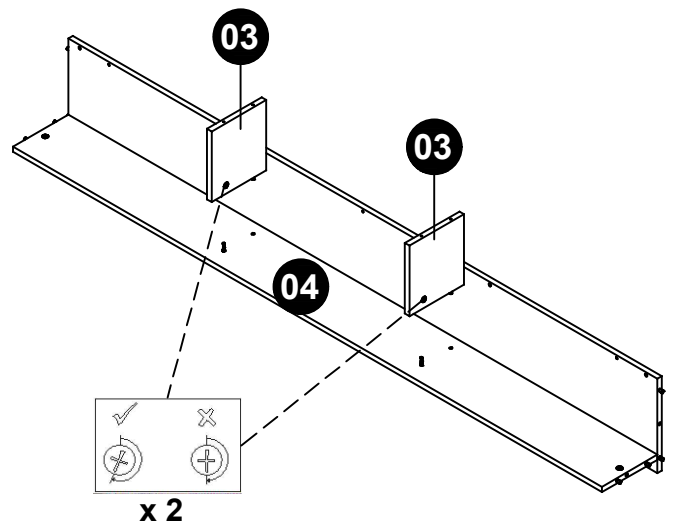
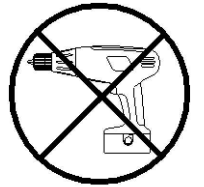
10



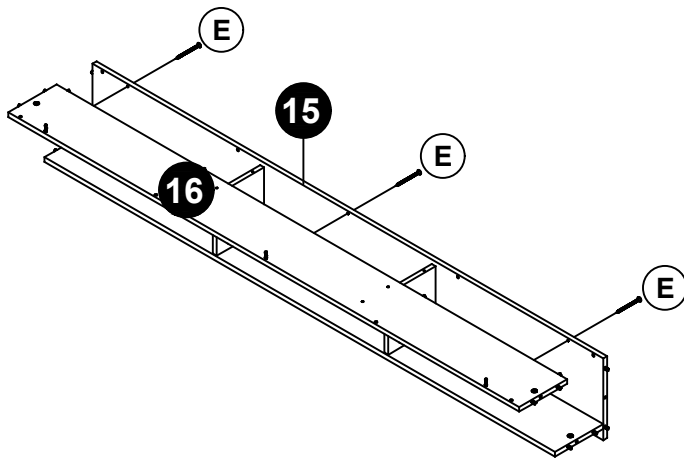
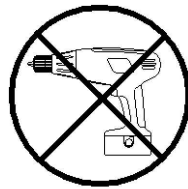
E x 3



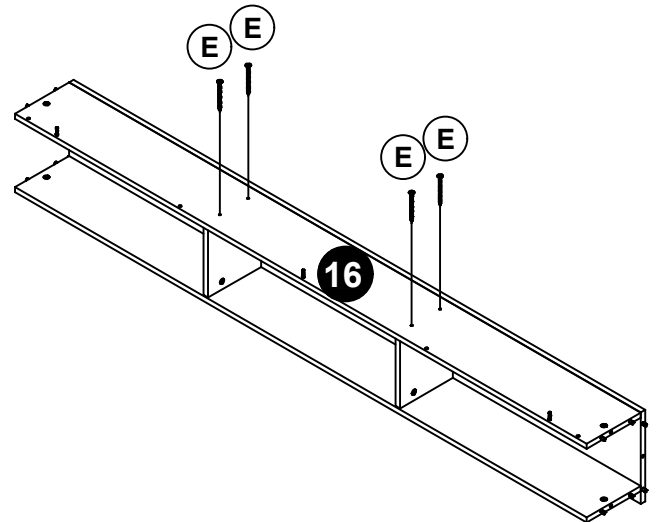
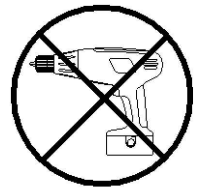
11



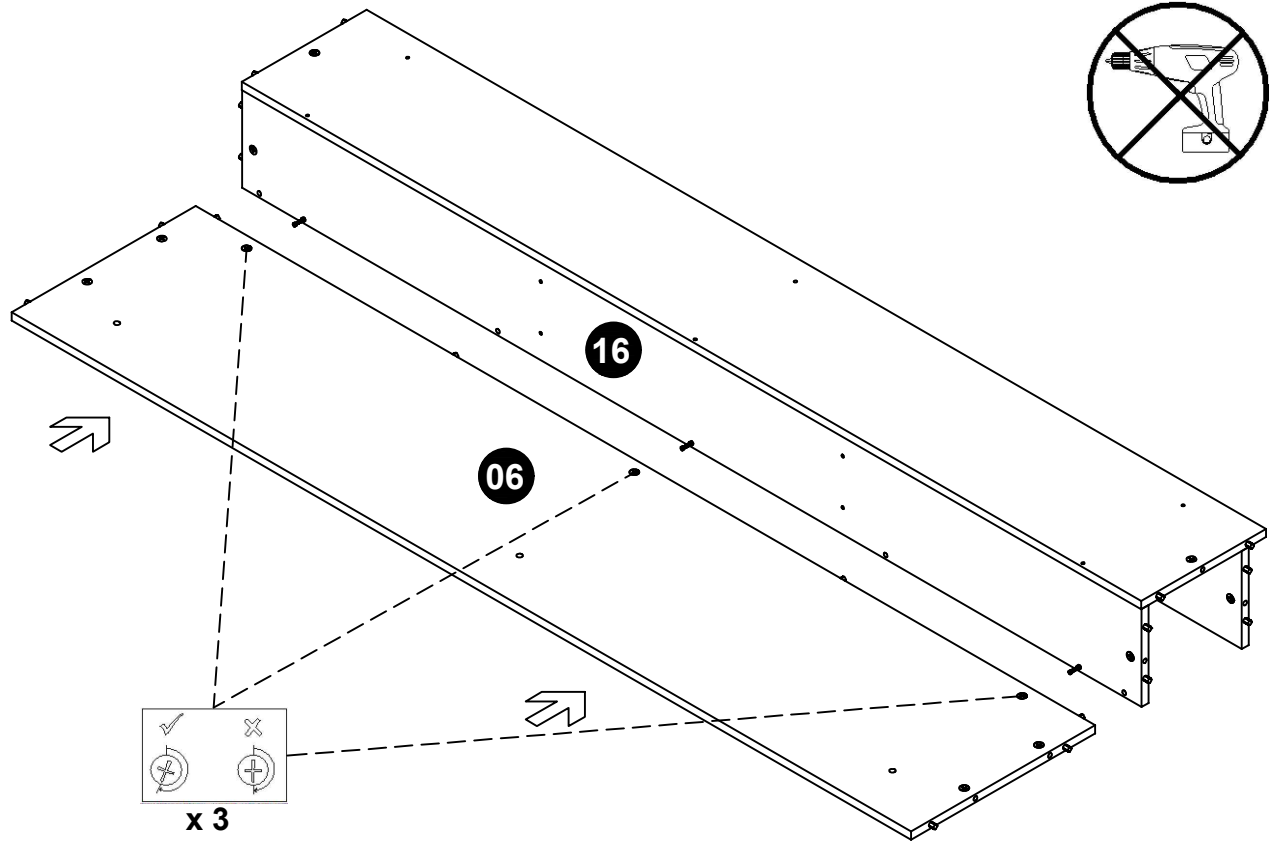
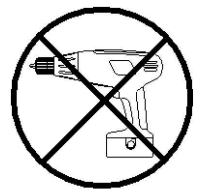
12 Ex 3



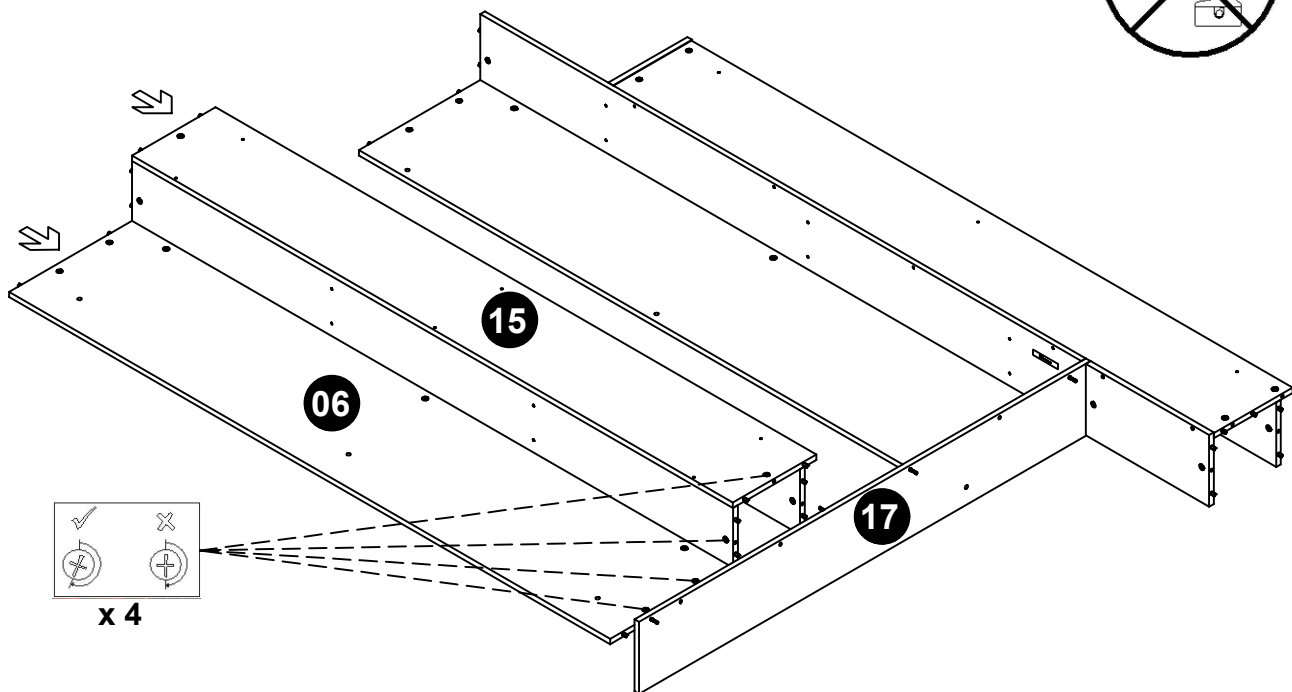
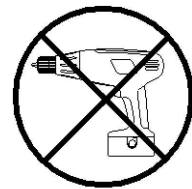
13 Ex 4



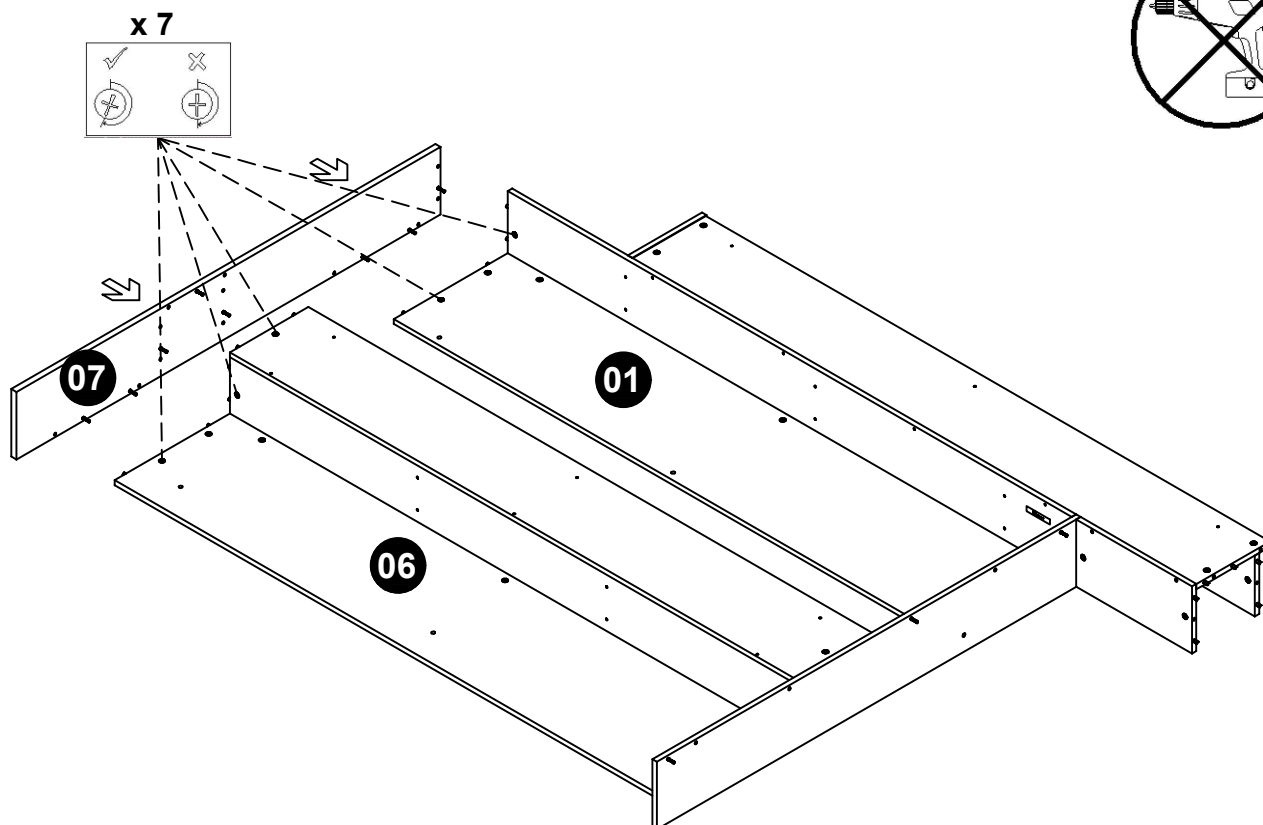
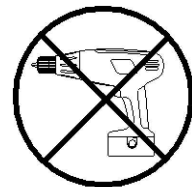
14



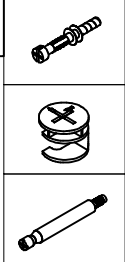
15



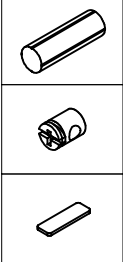
16



19



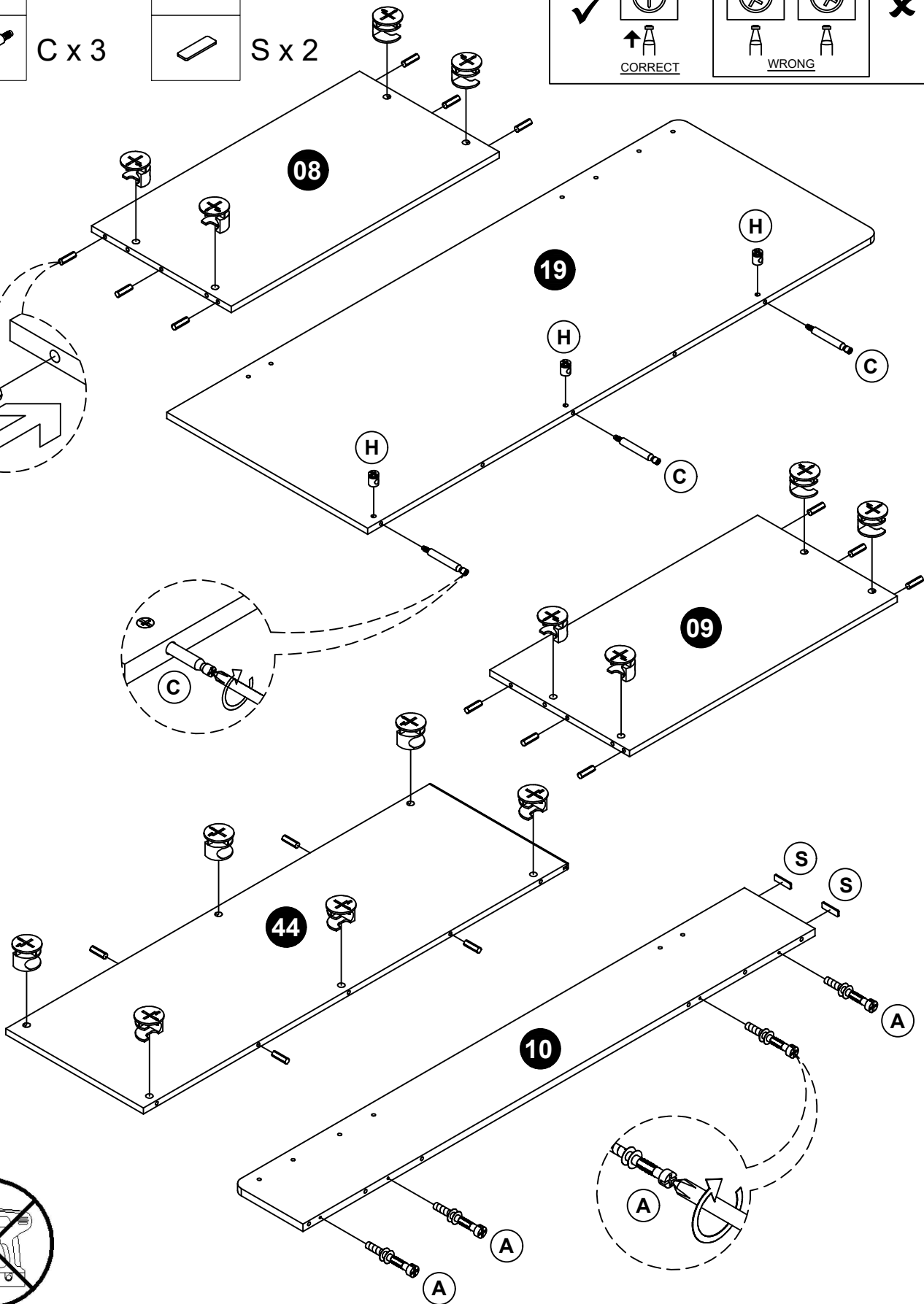
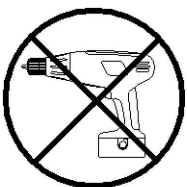
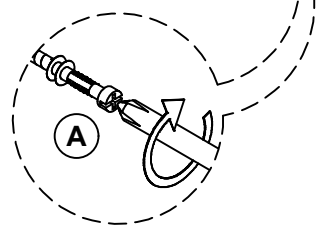
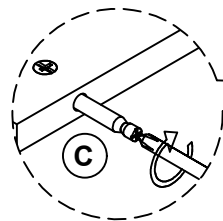
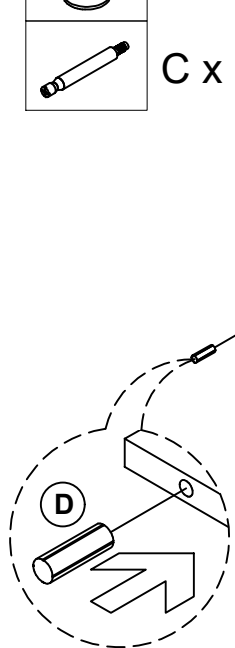
A x 4
B x 14
C x 3



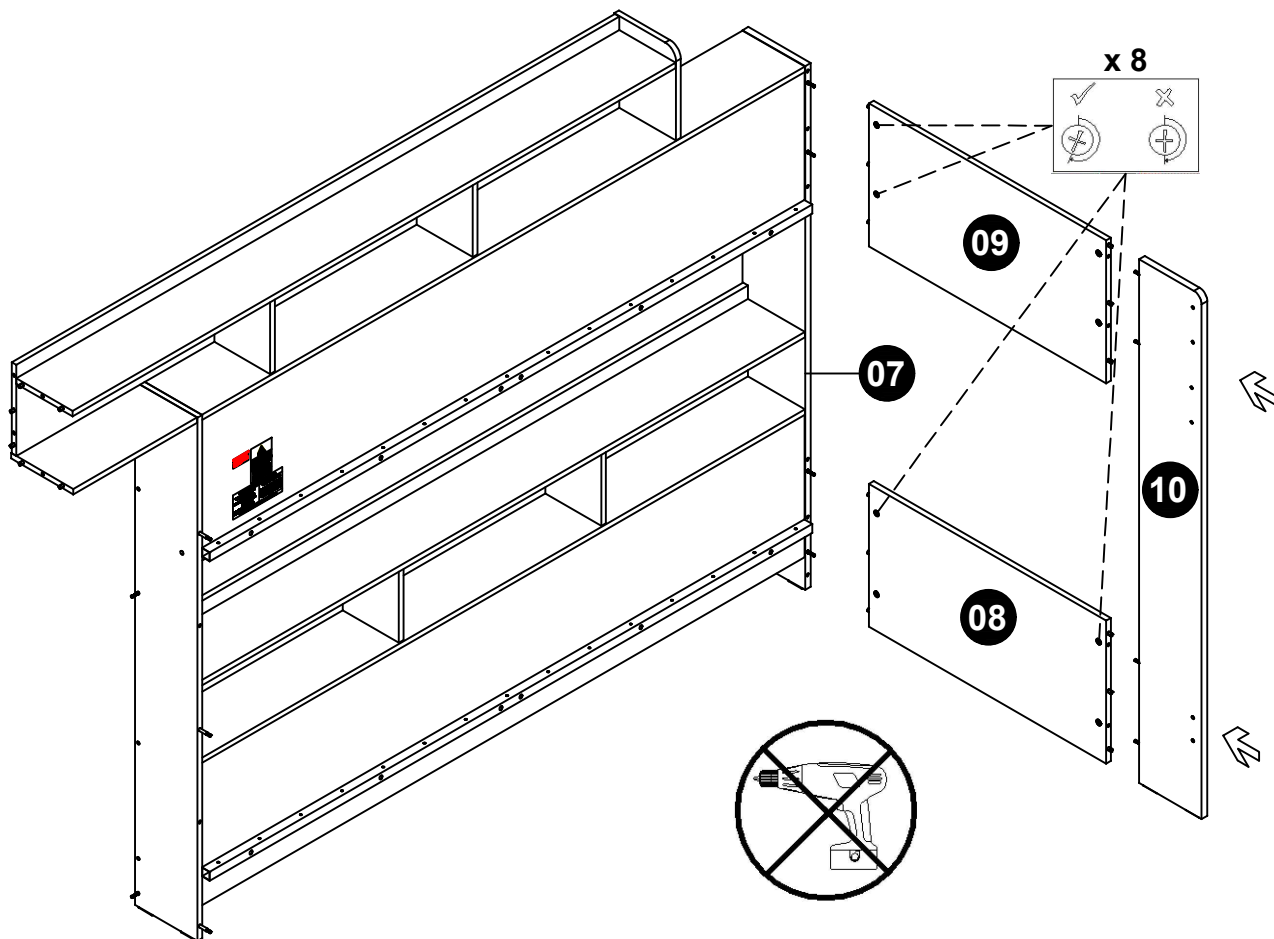
D x 16
H x 3
S x 2

WHEN FITTING CAMS
ENSURE STARTING POSITION IS CORRECT
BEFORE YOU INSERT CONNECTING BOLT
TURN CLOCKWISE UNTIL SECURE

✓ CORRECT
✗ WRONG



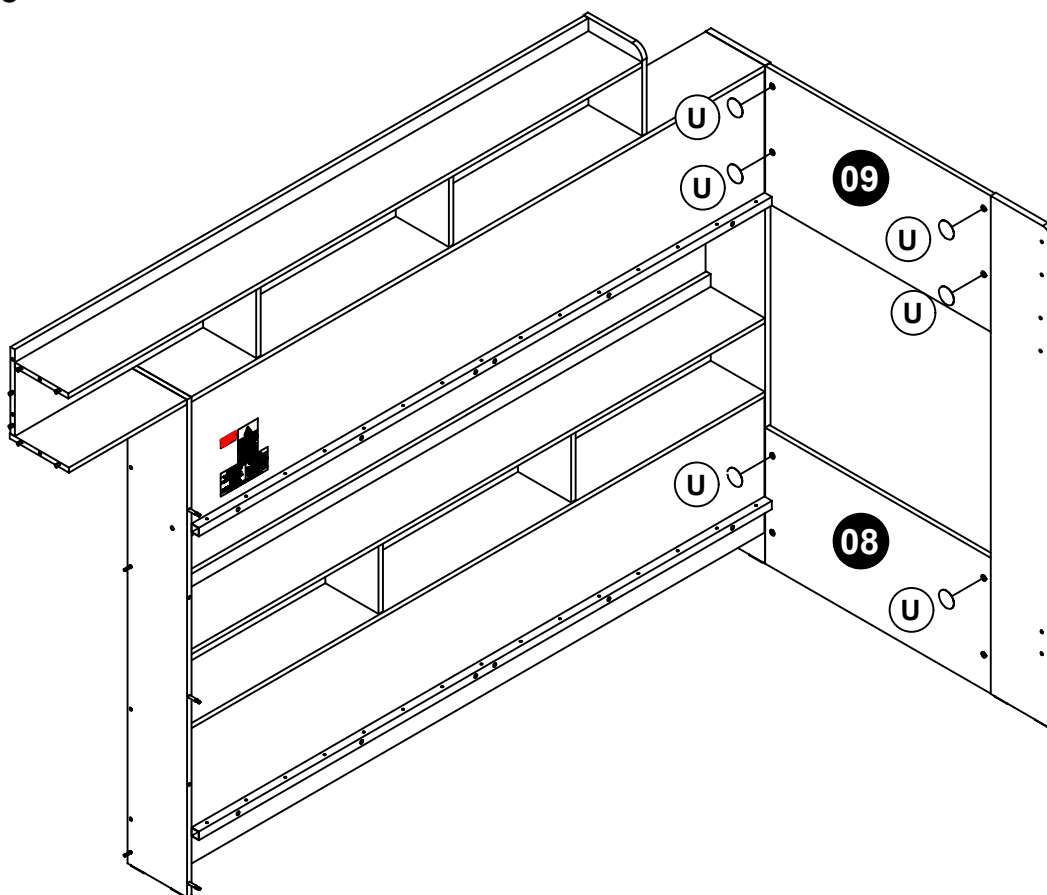
20



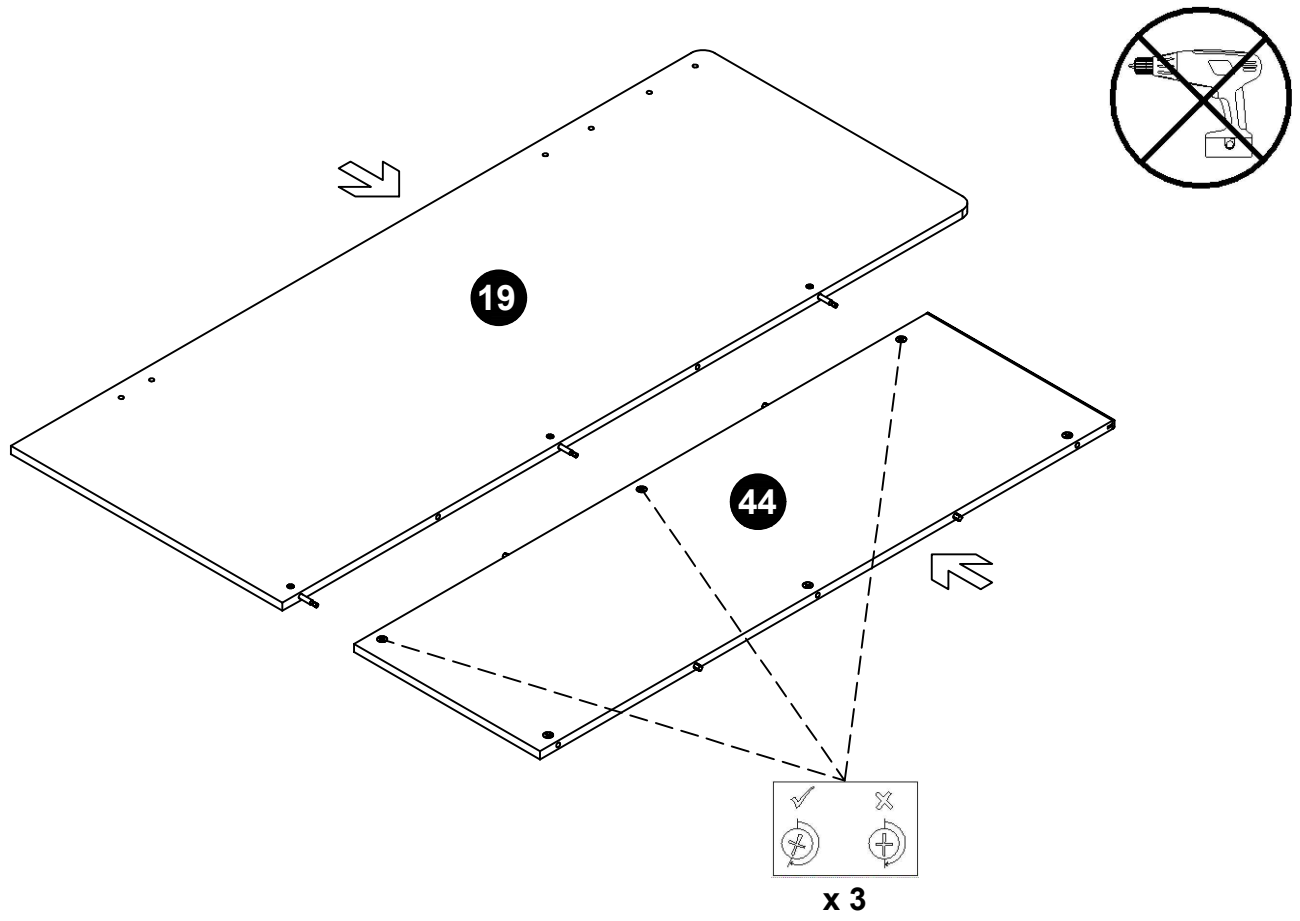
21



U x 6



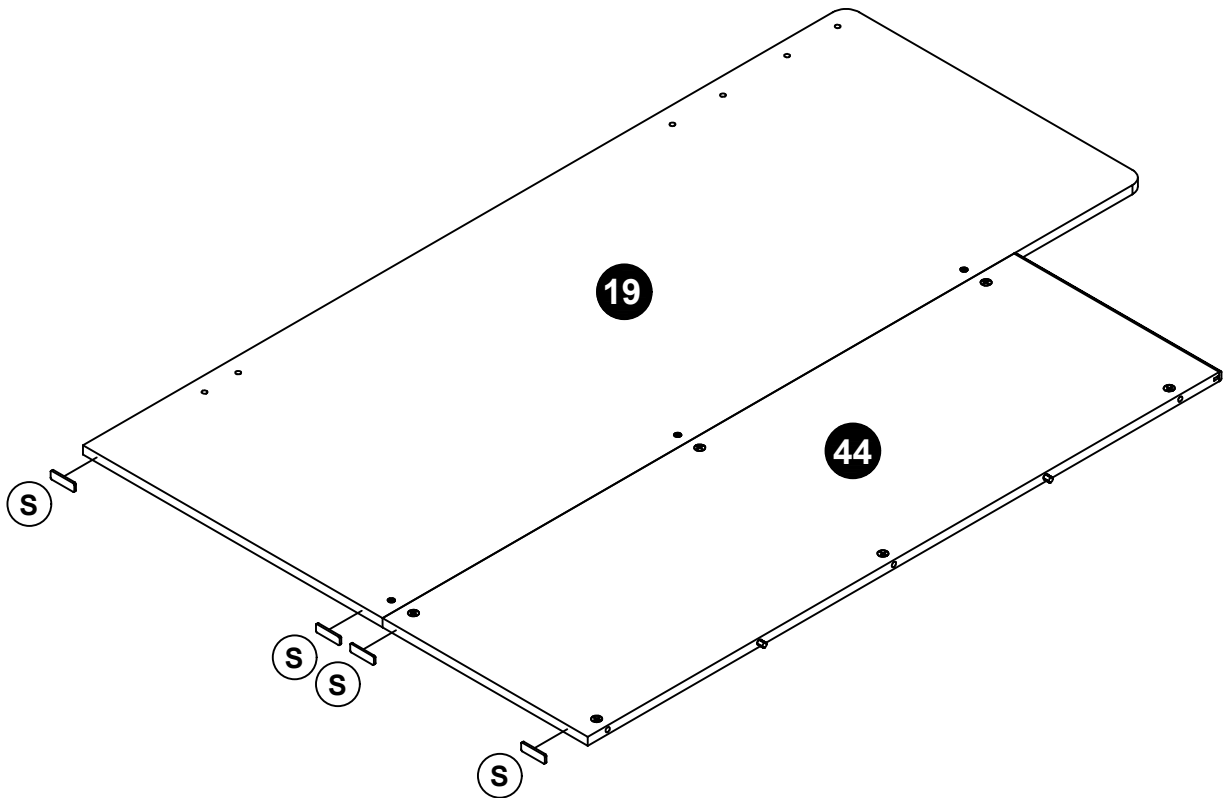
22



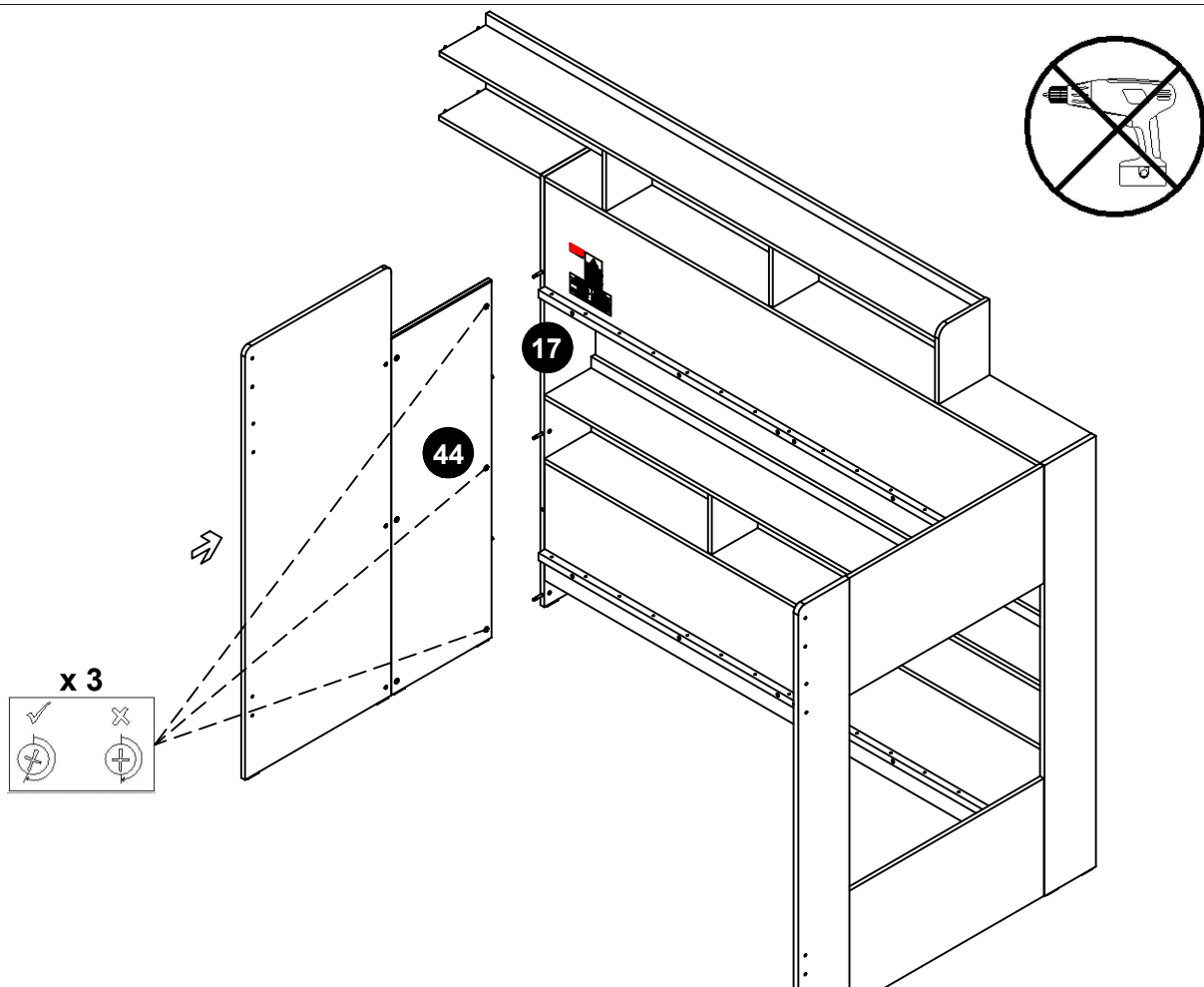
23



S x 4



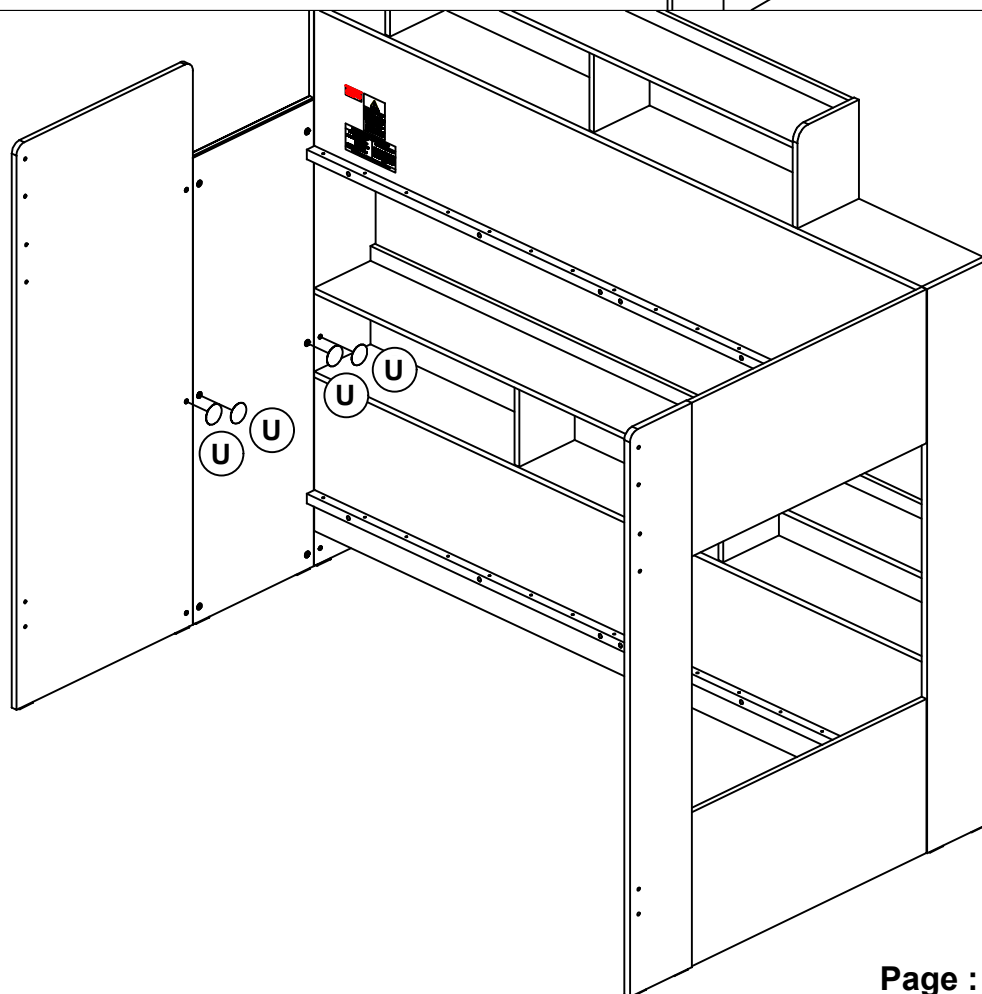
24



25



U x 4



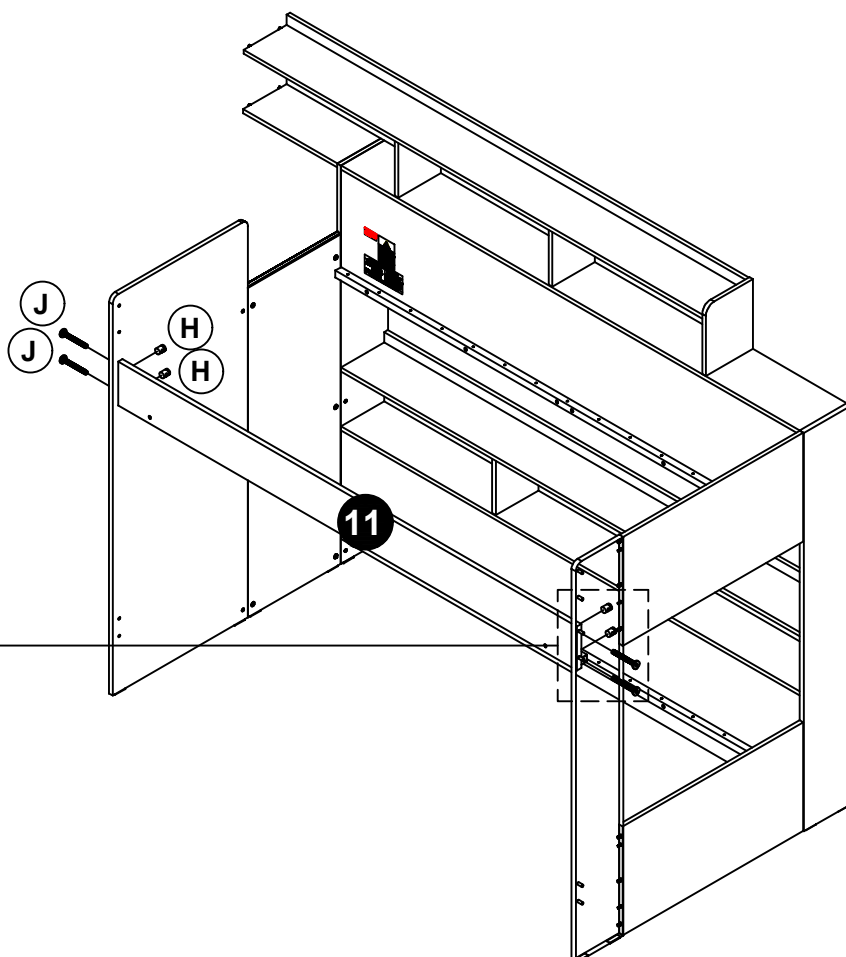
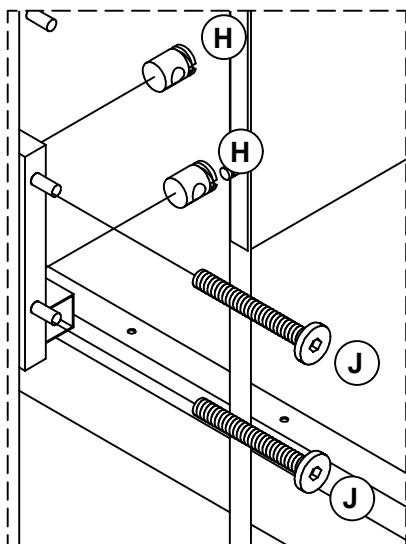
26



H x 4



J x 4



27



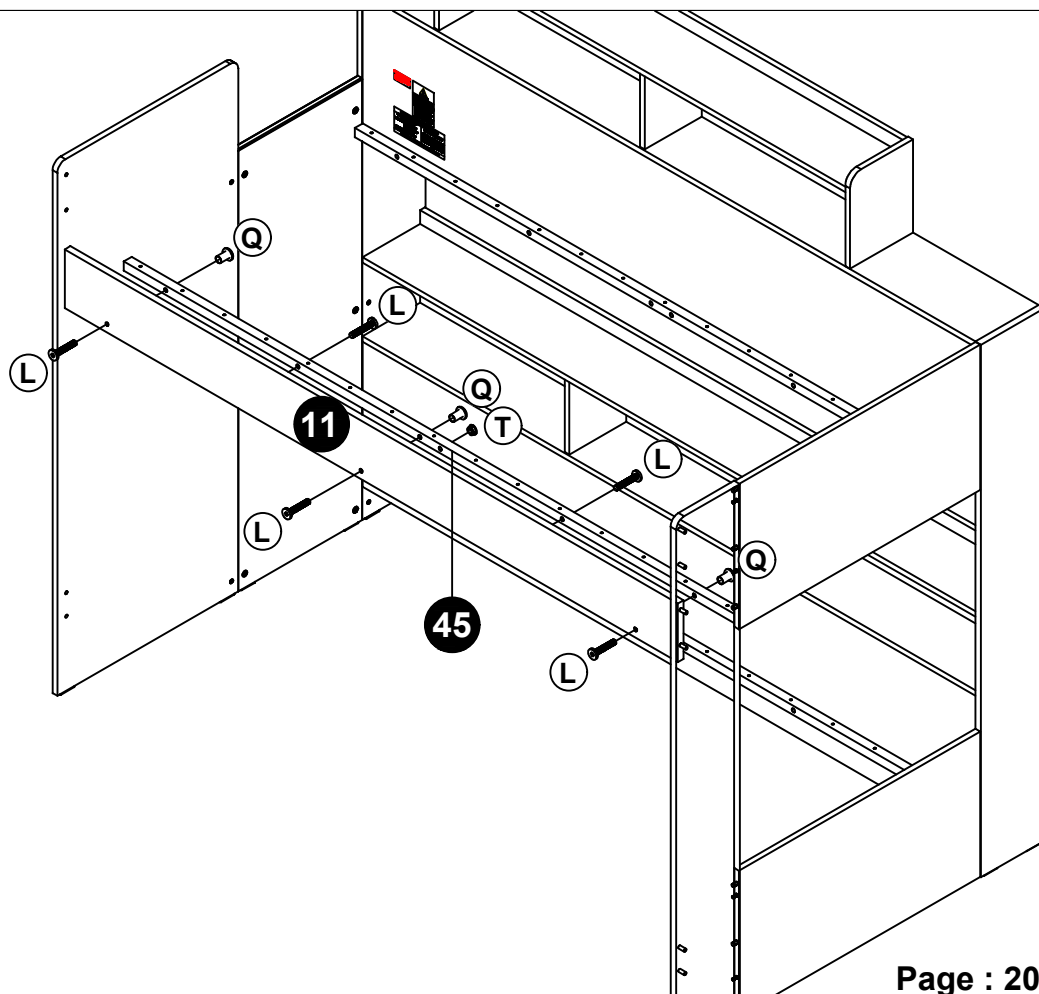
L x 5

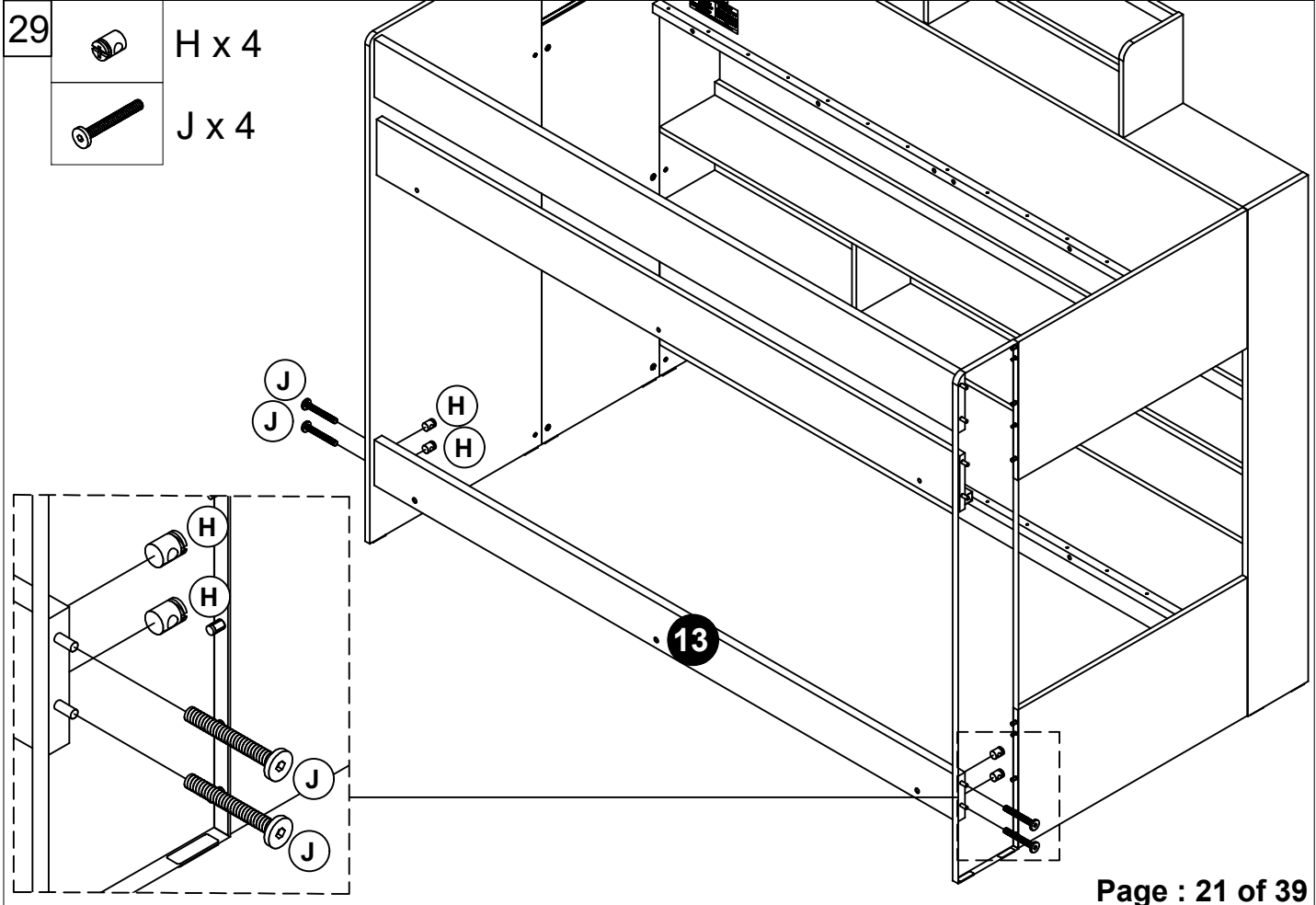
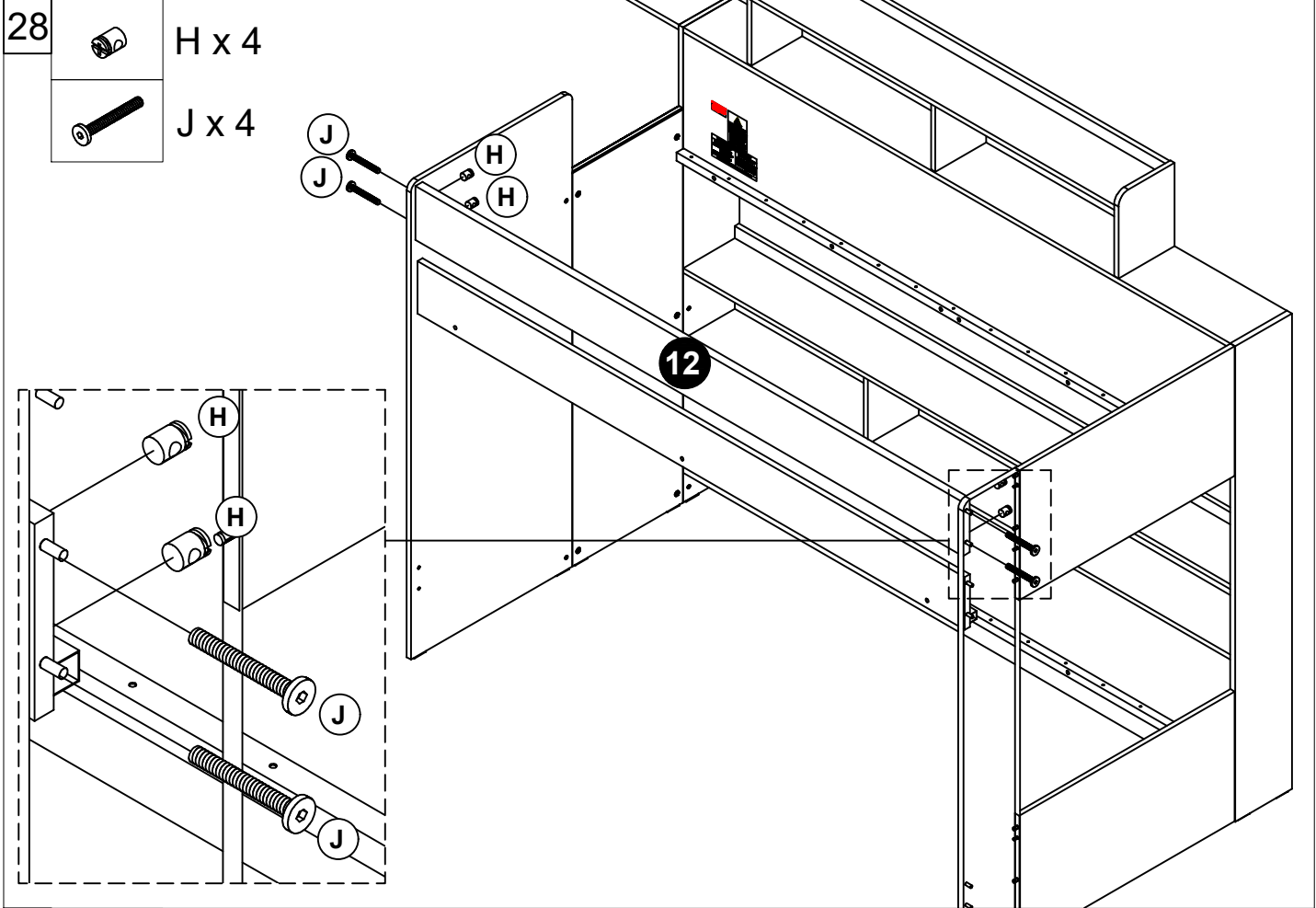


Q x 3



T x 1





30



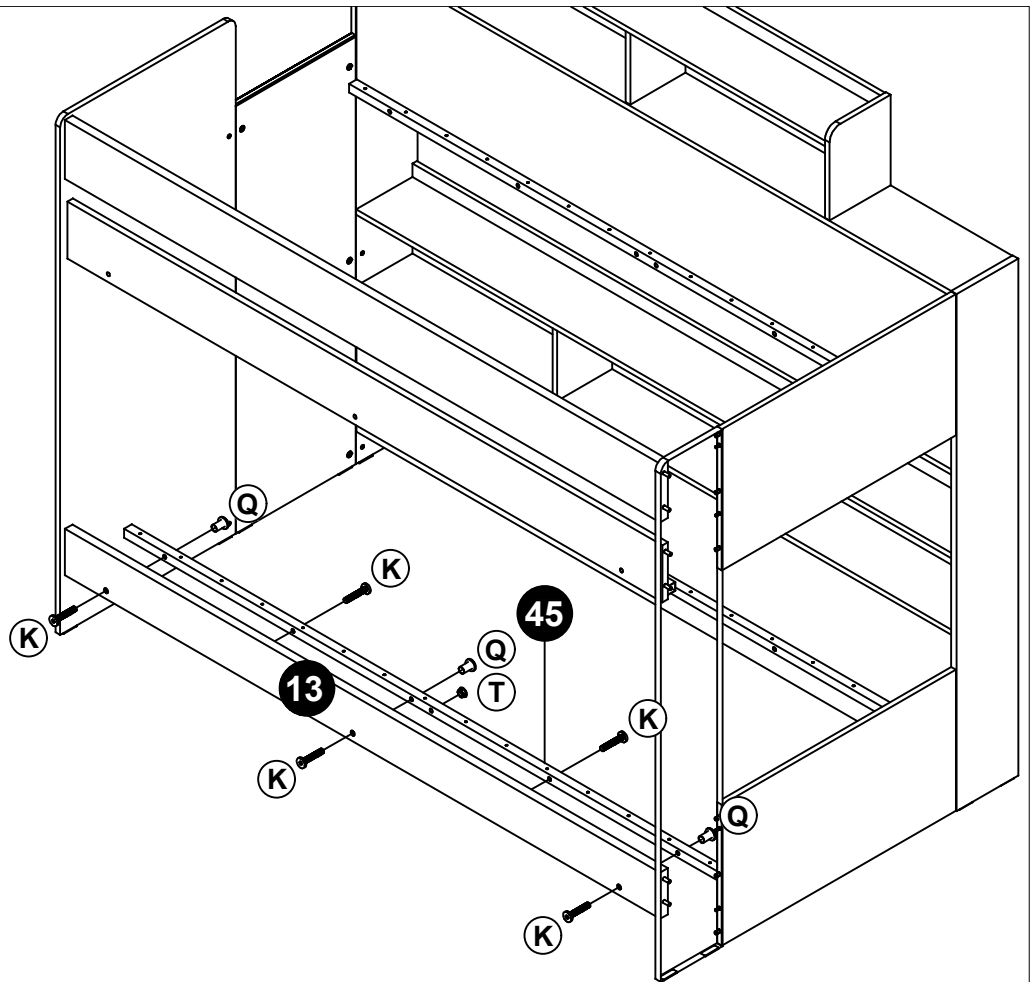
K x 5



Q x 3



T x 1

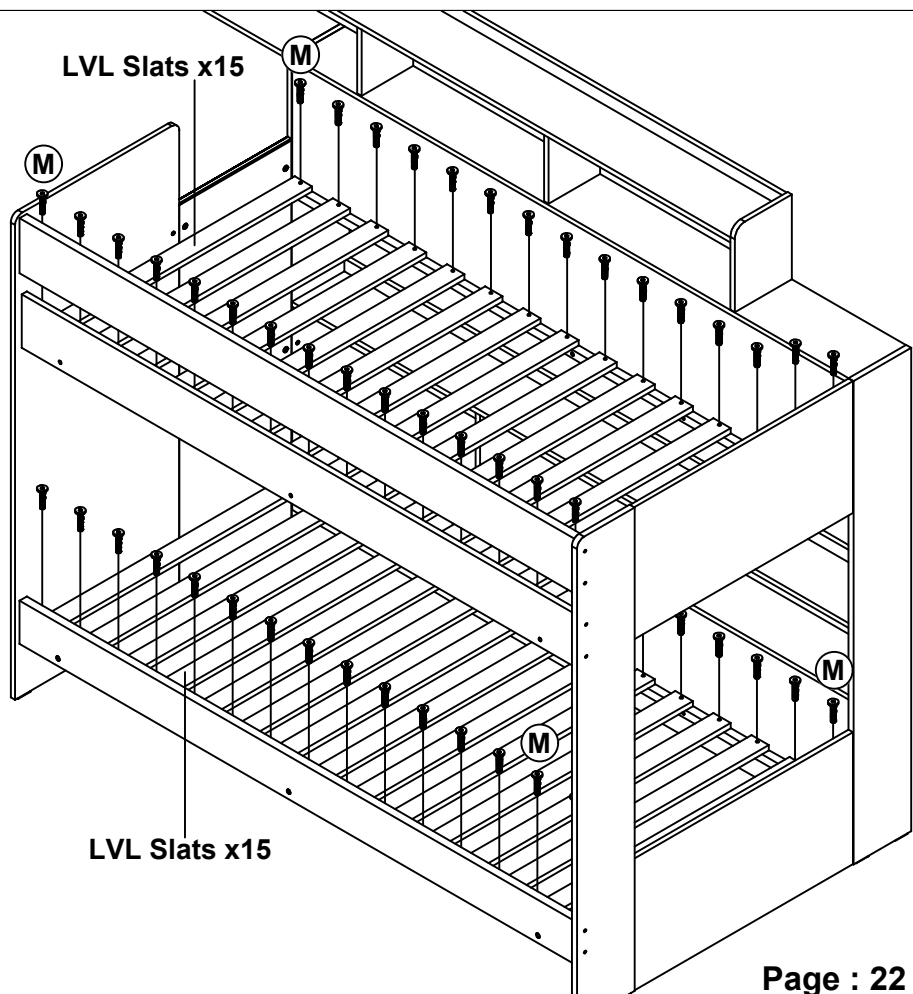


31



M x 60

LVL Slats x15



LVL Slats x15

32



A x 3



B x 14



D x 23



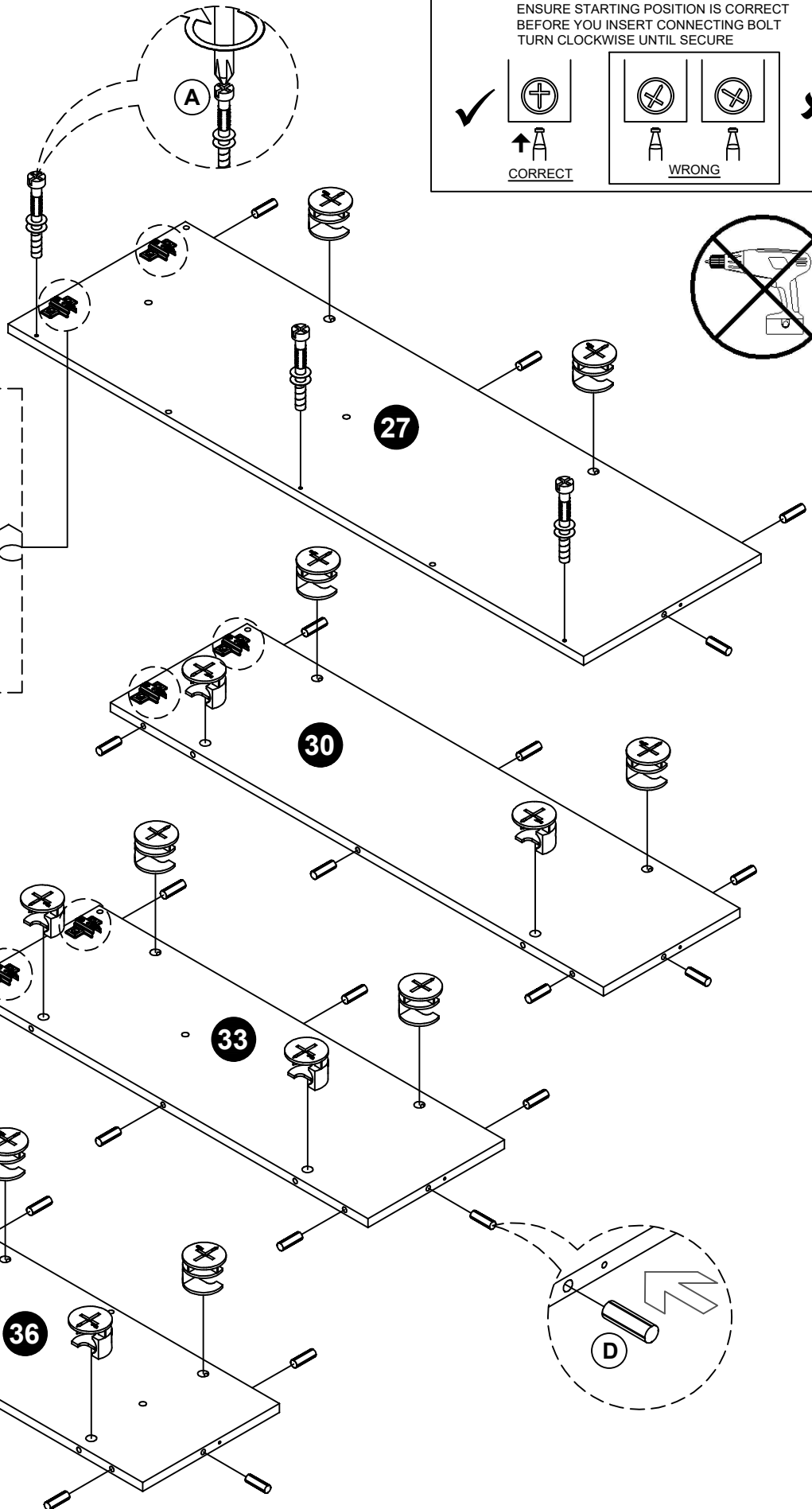
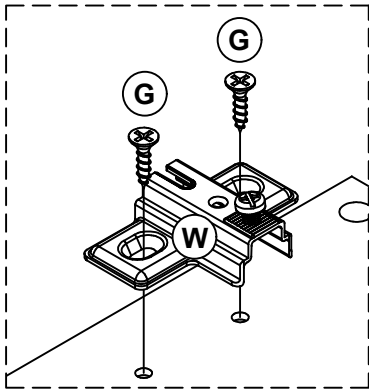
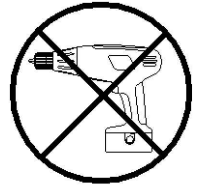
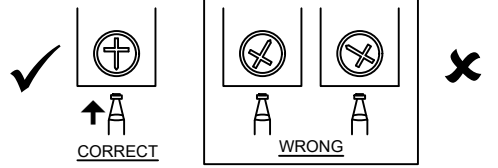
G x 16



W x 8

WHEN FITTING CAMS

ENSURE STARTING POSITION IS CORRECT
BEFORE YOU INSERT CONNECTING BOLT
TURN CLOCKWISE UNTIL SECURE



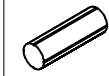
33



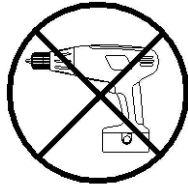
A x 19



B x 20

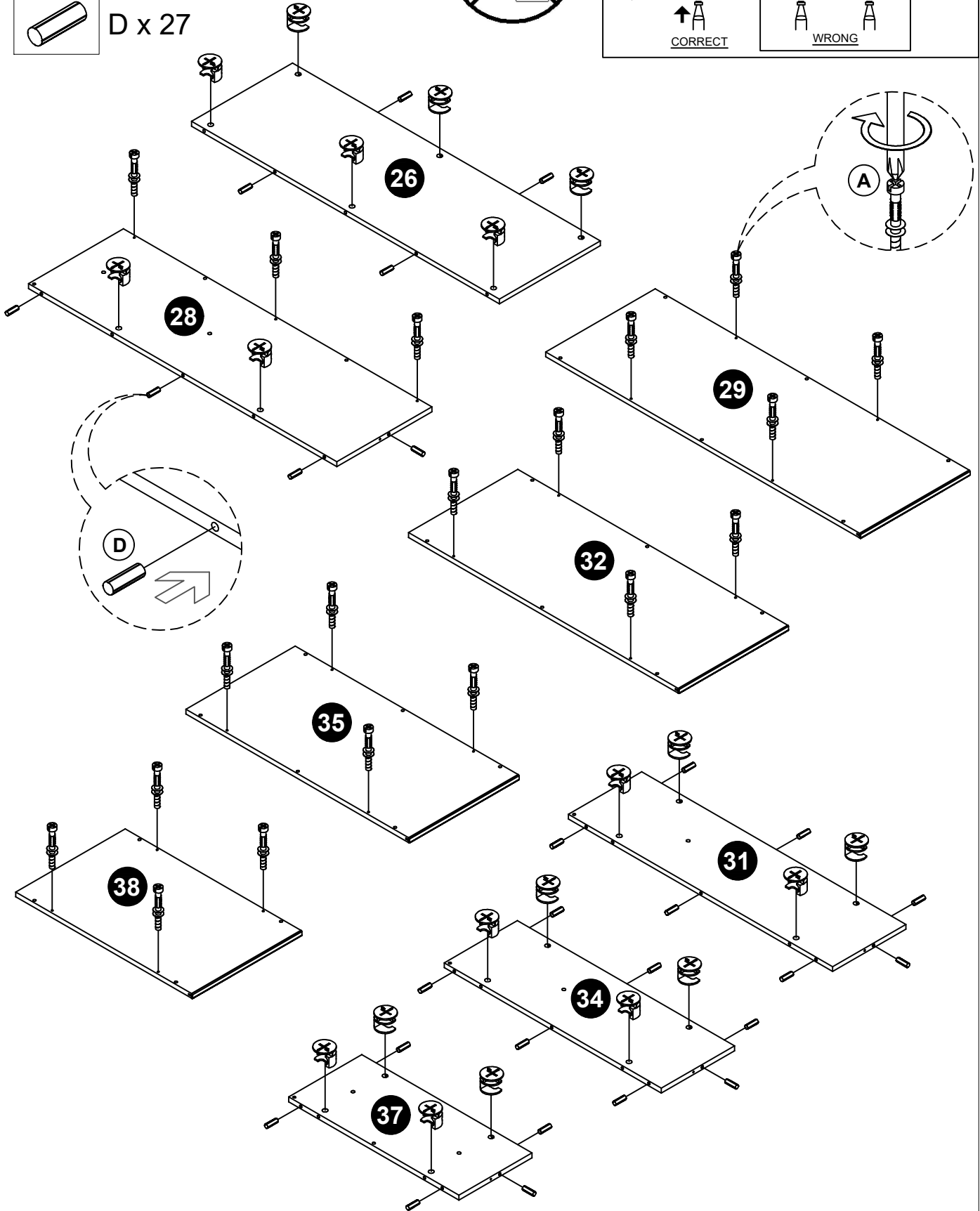
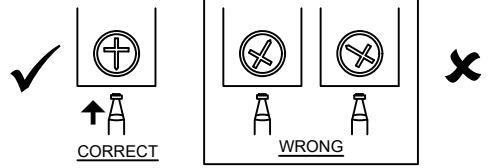


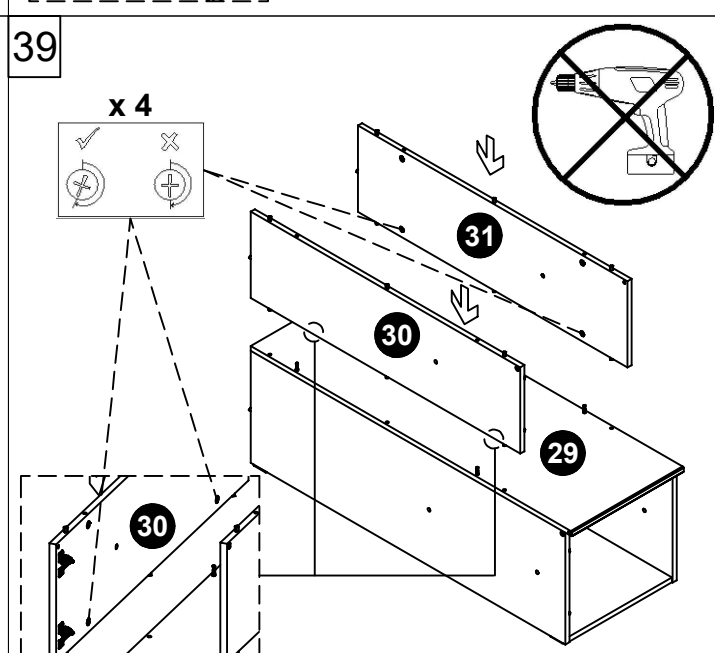
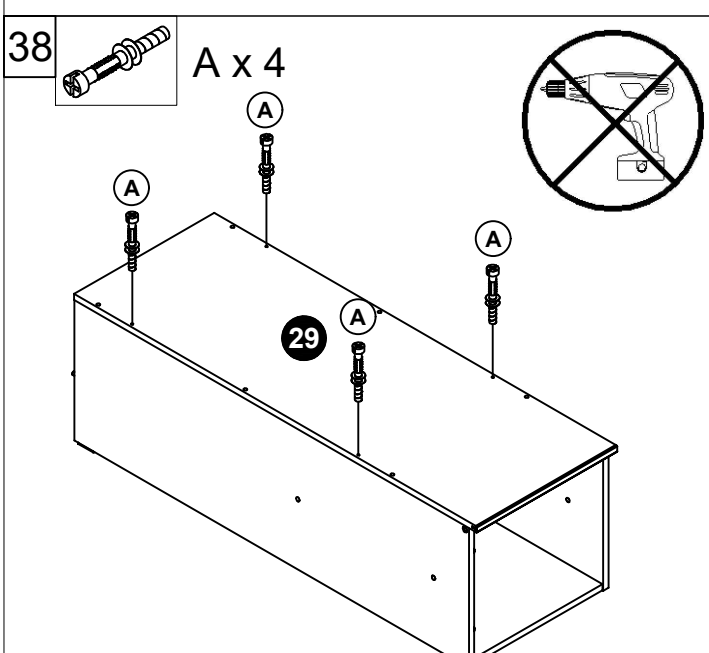
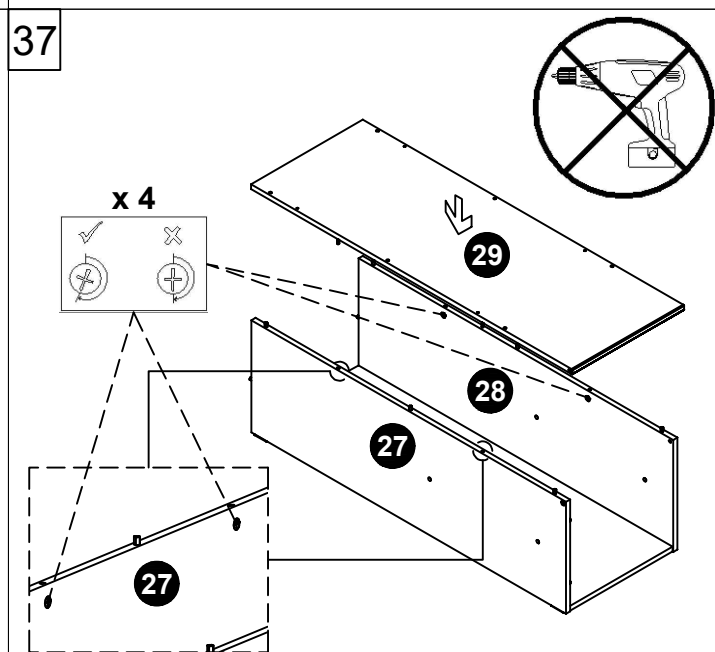
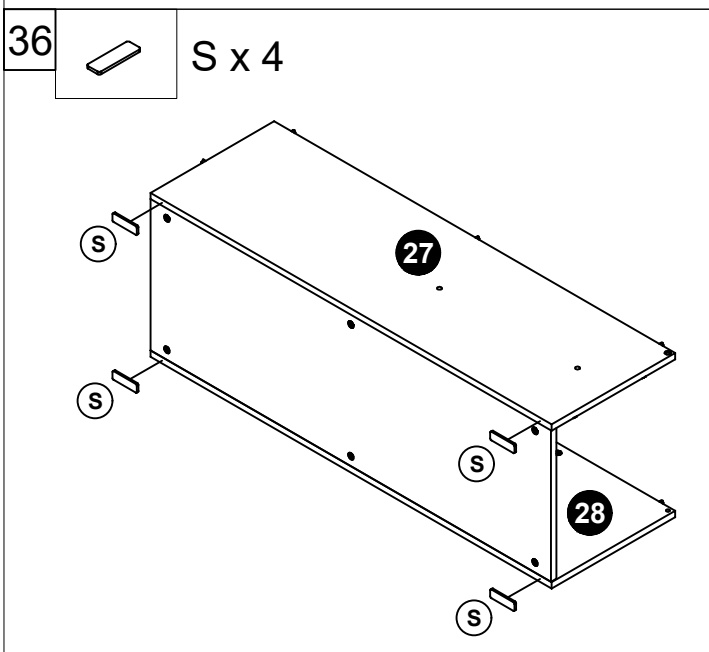
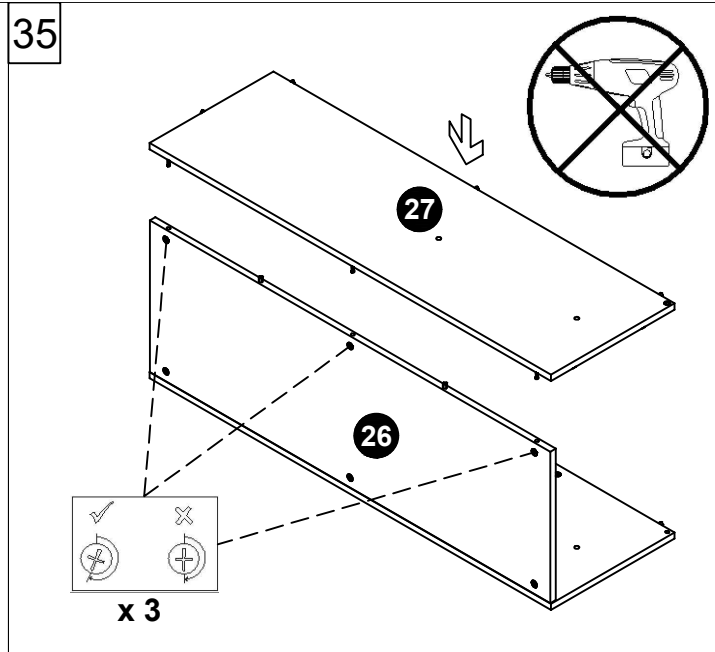
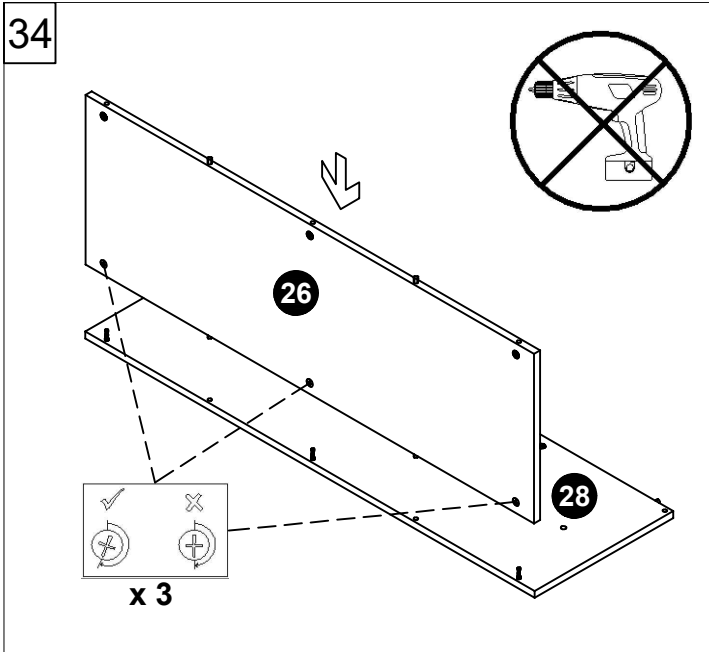
D x 27



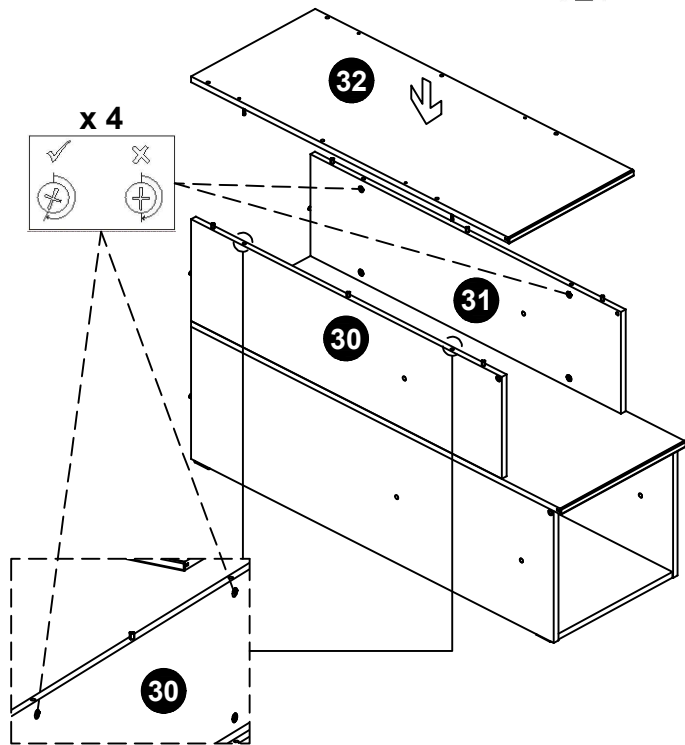
WHEN FITTING CAMS

ENSURE STARTING POSITION IS CORRECT
BEFORE YOU INSERT CONNECTING BOLT
TURN CLOCKWISE UNTIL SECURE

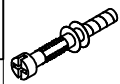




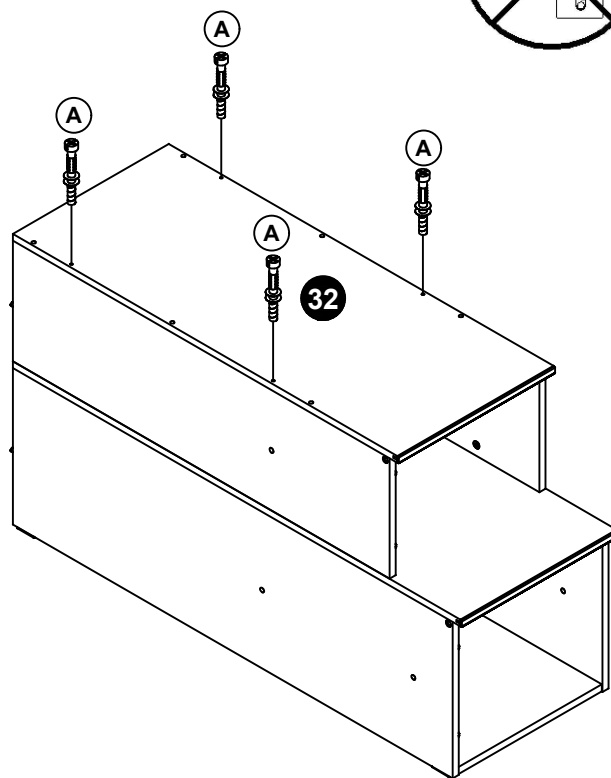
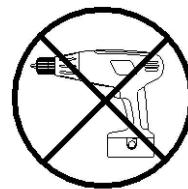
40



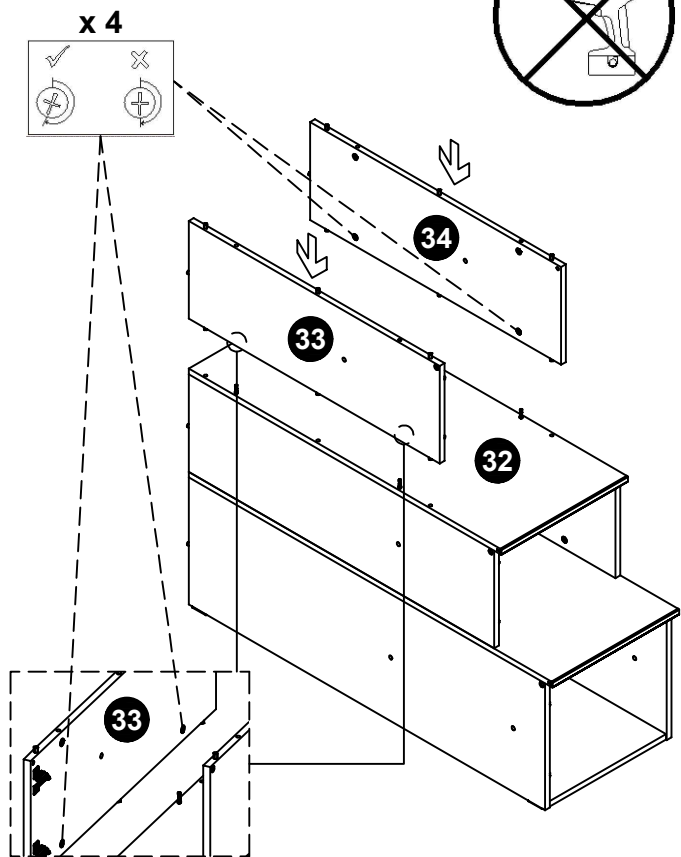
41



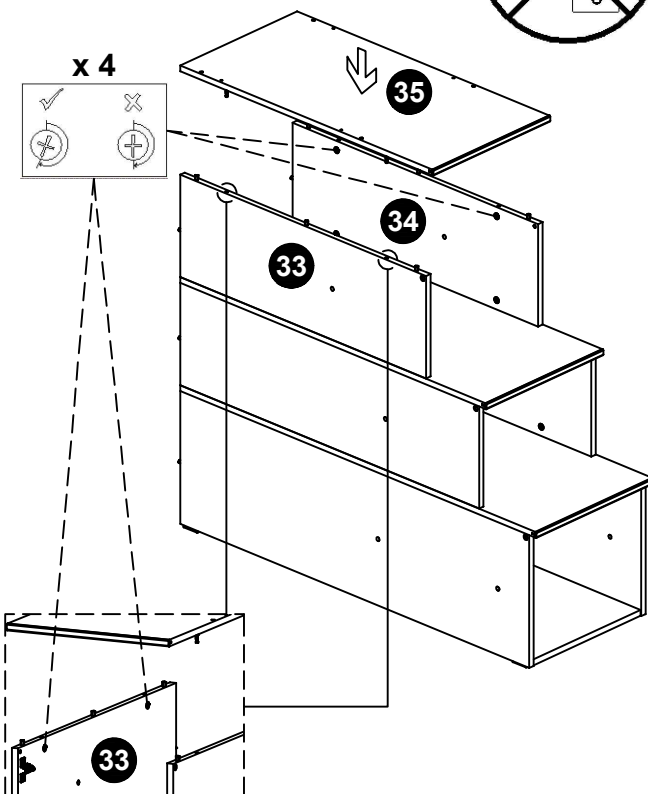
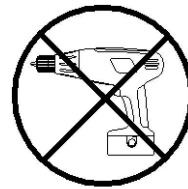
A x 4

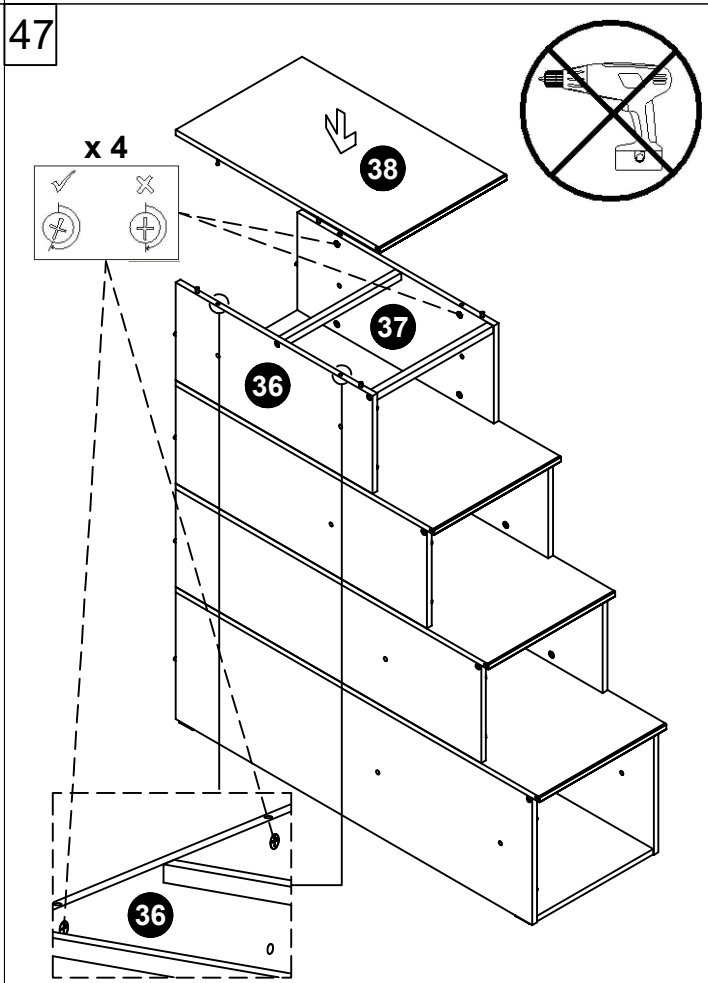
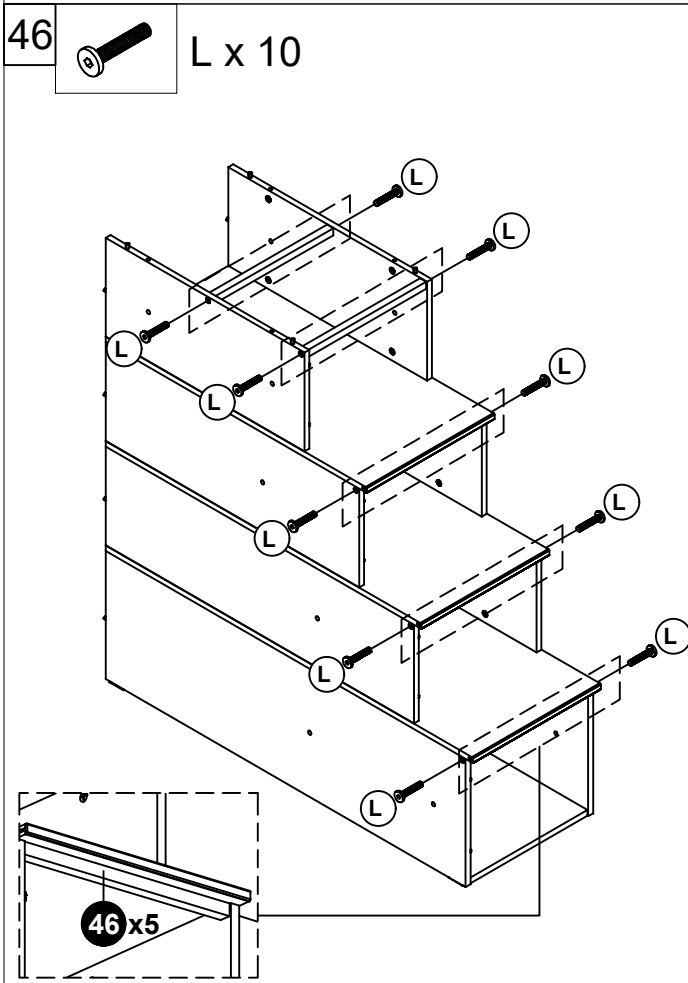
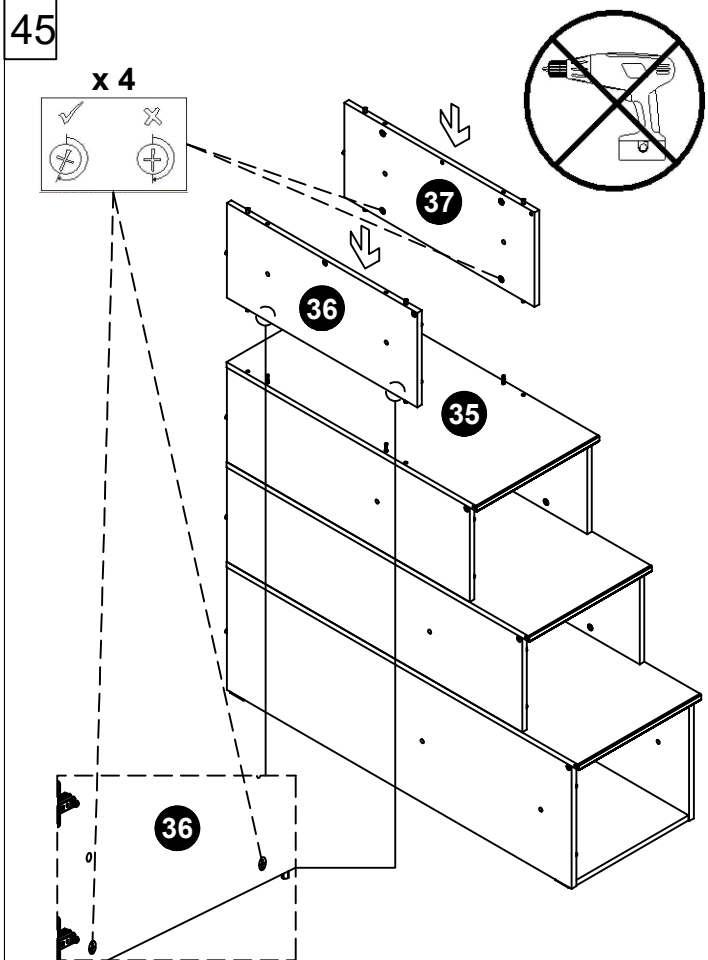
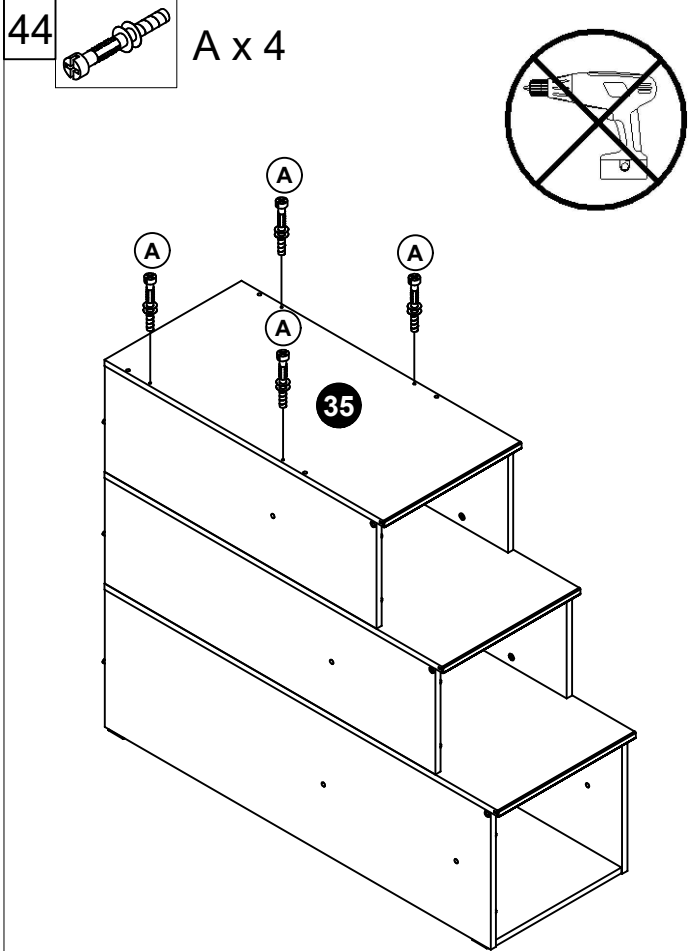


42









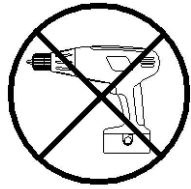
43






48


-  A x 7
-  B x 9
-  C x 3
-  D x 9
-  H x 3
-  S x 6




WHEN FITTING CAMS
 ENSURE STARTING POSITION IS CORRECT
 BEFORE YOU INSERT CONNECTING BOLT
 TURN CLOCKWISE UNTIL SECURE



↑
CORRECT

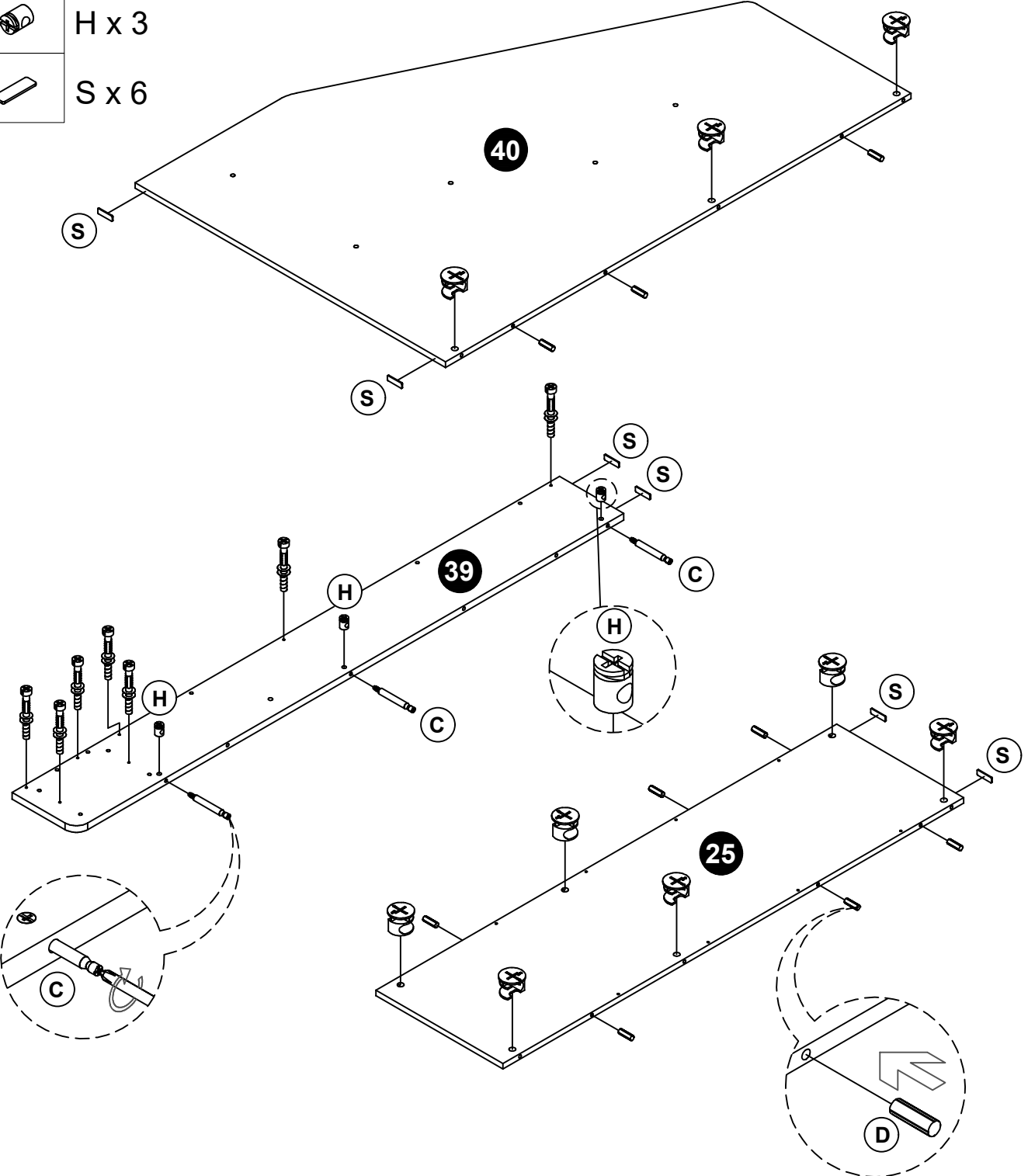


↑
WRONG



↑
WRONG

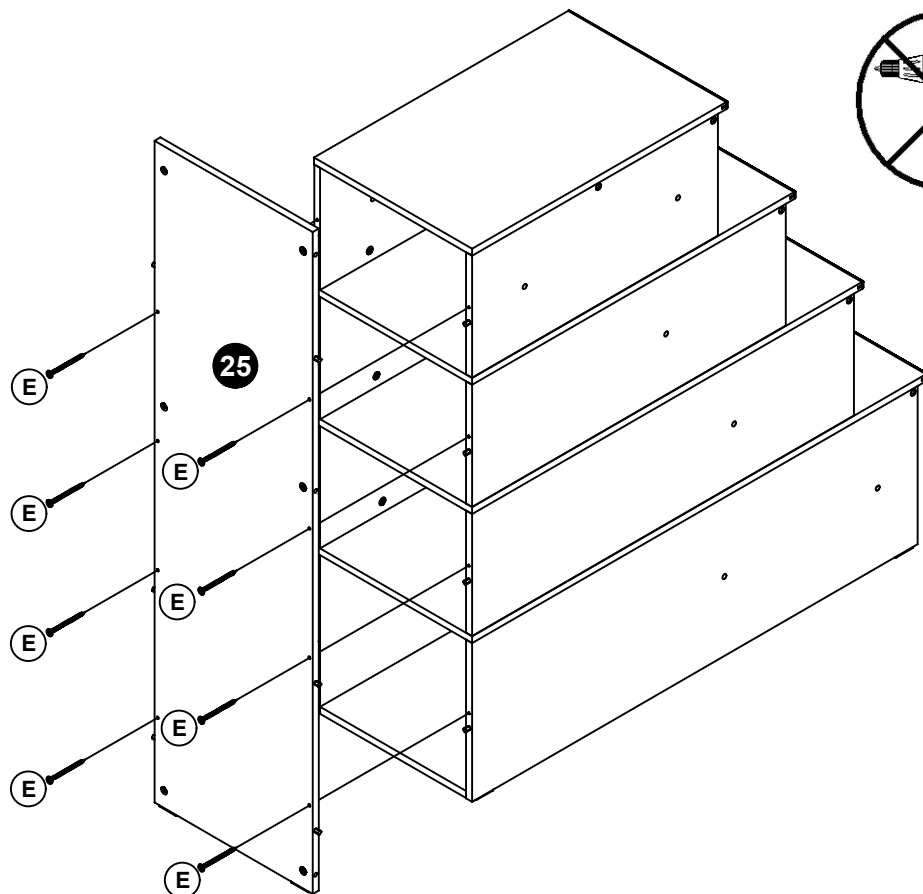
X



49



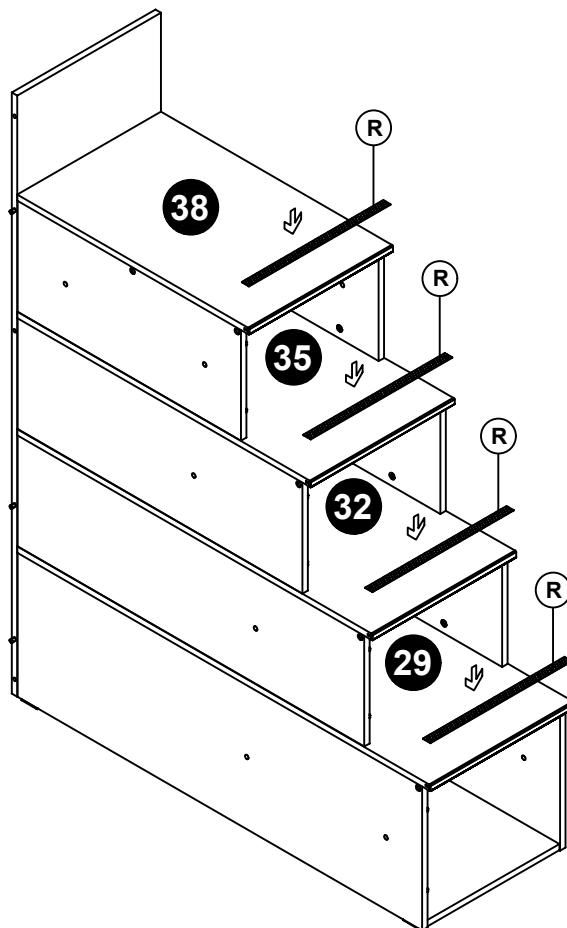
E x 8



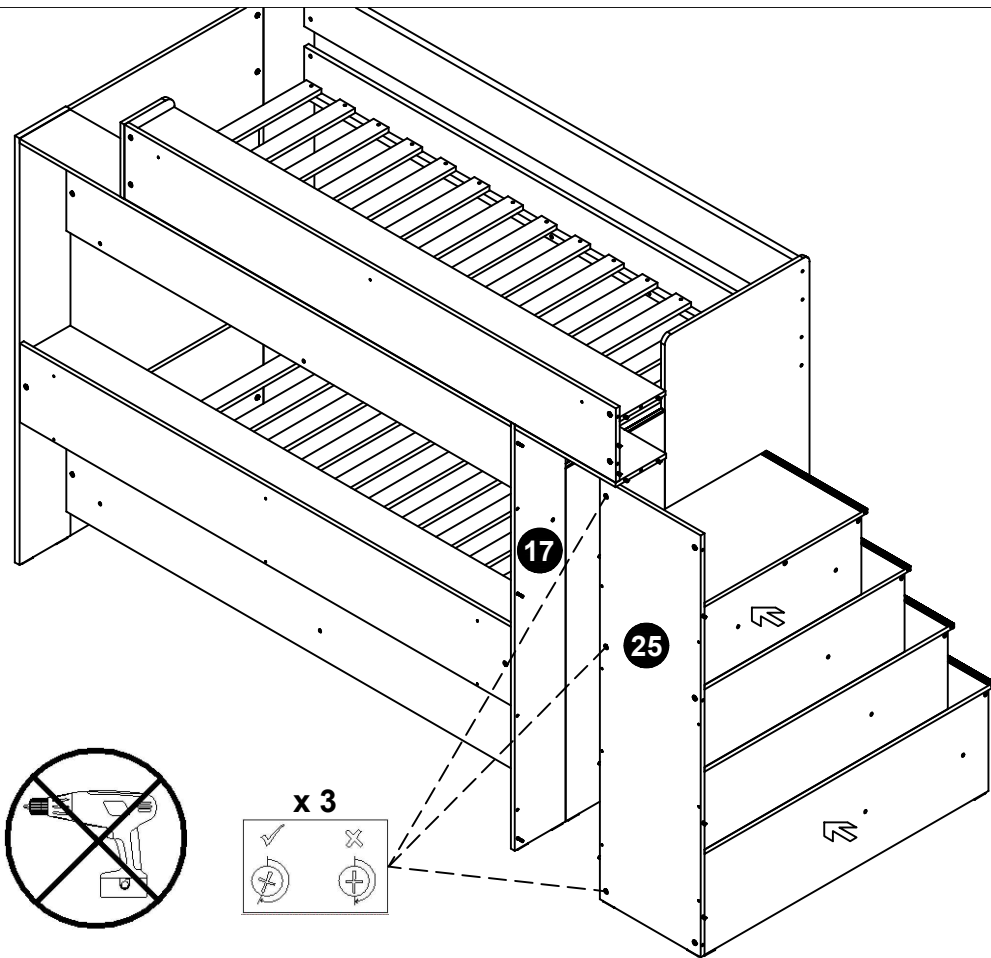
50



R x 4



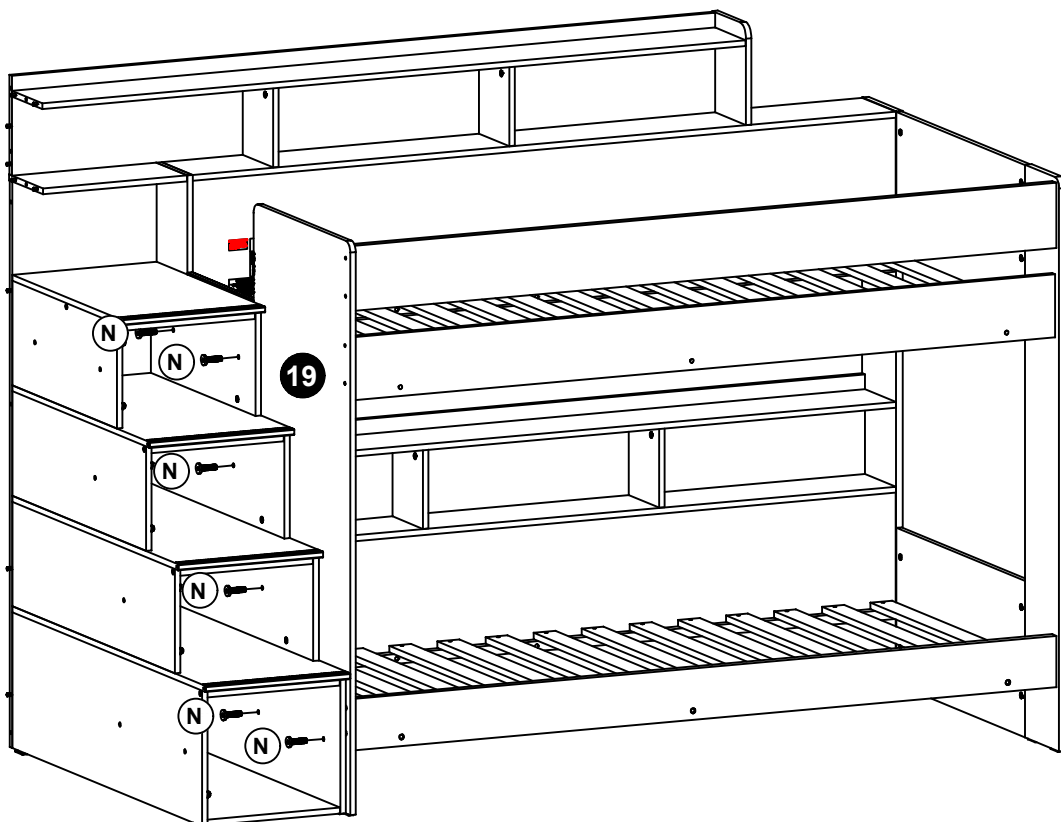
51



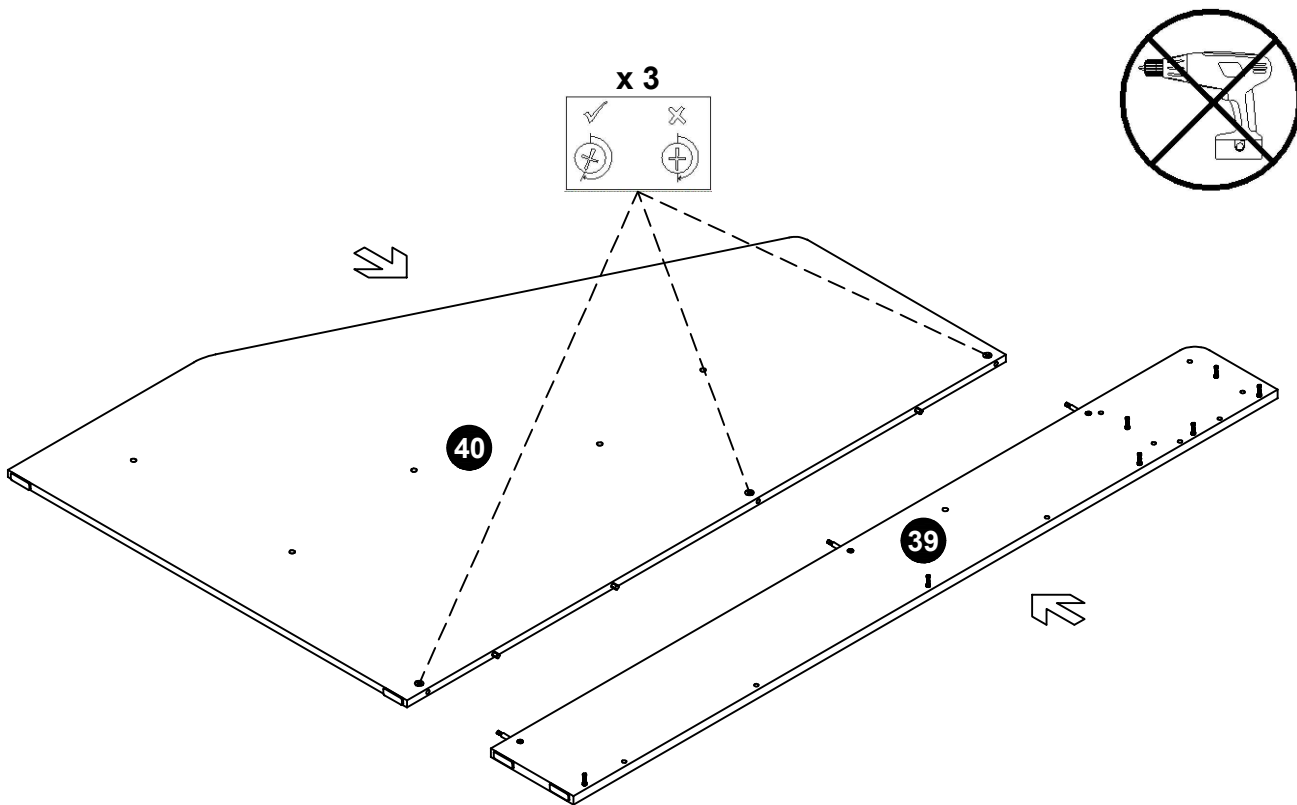
52



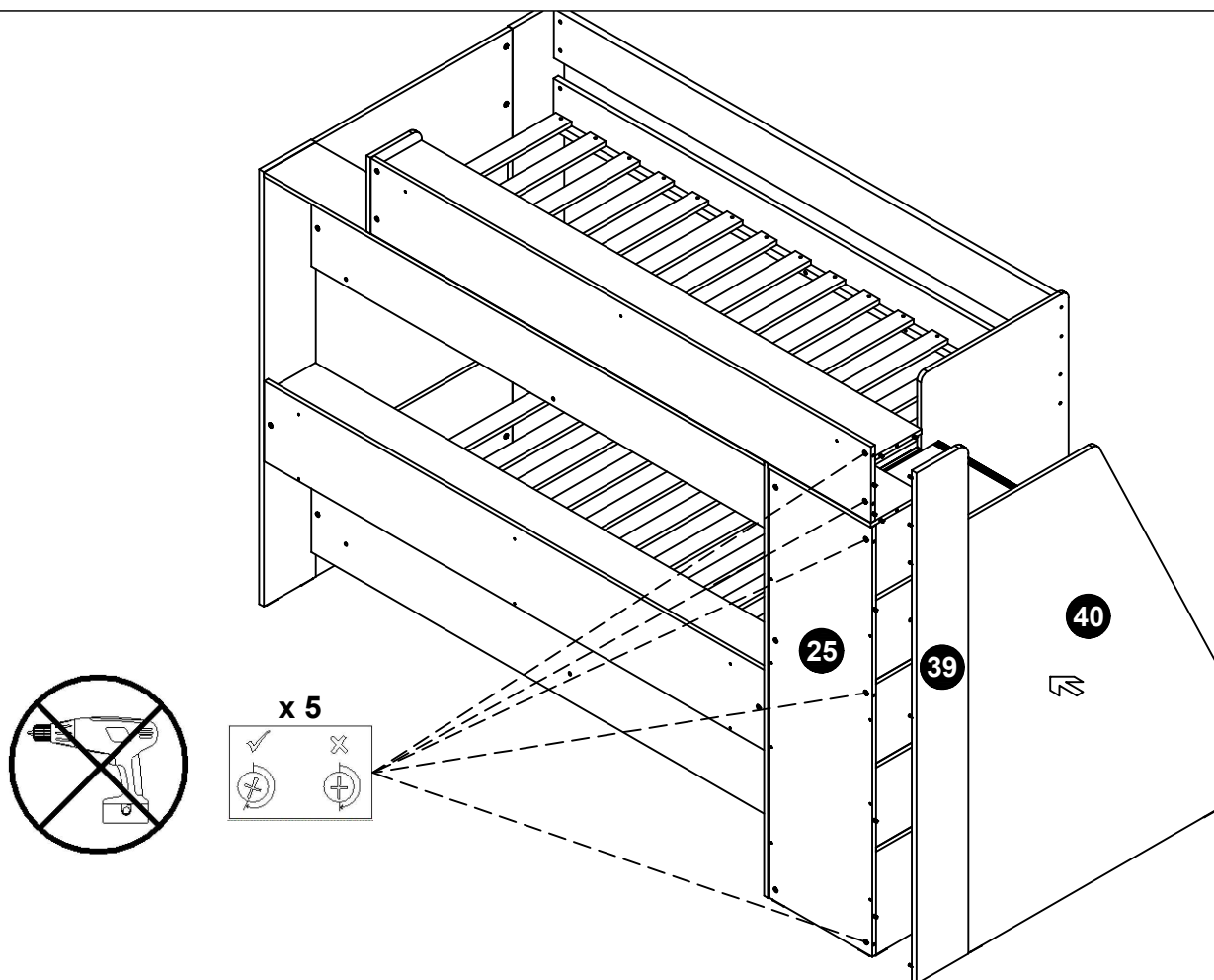
N x 6



53



54

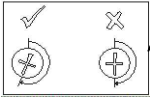


55

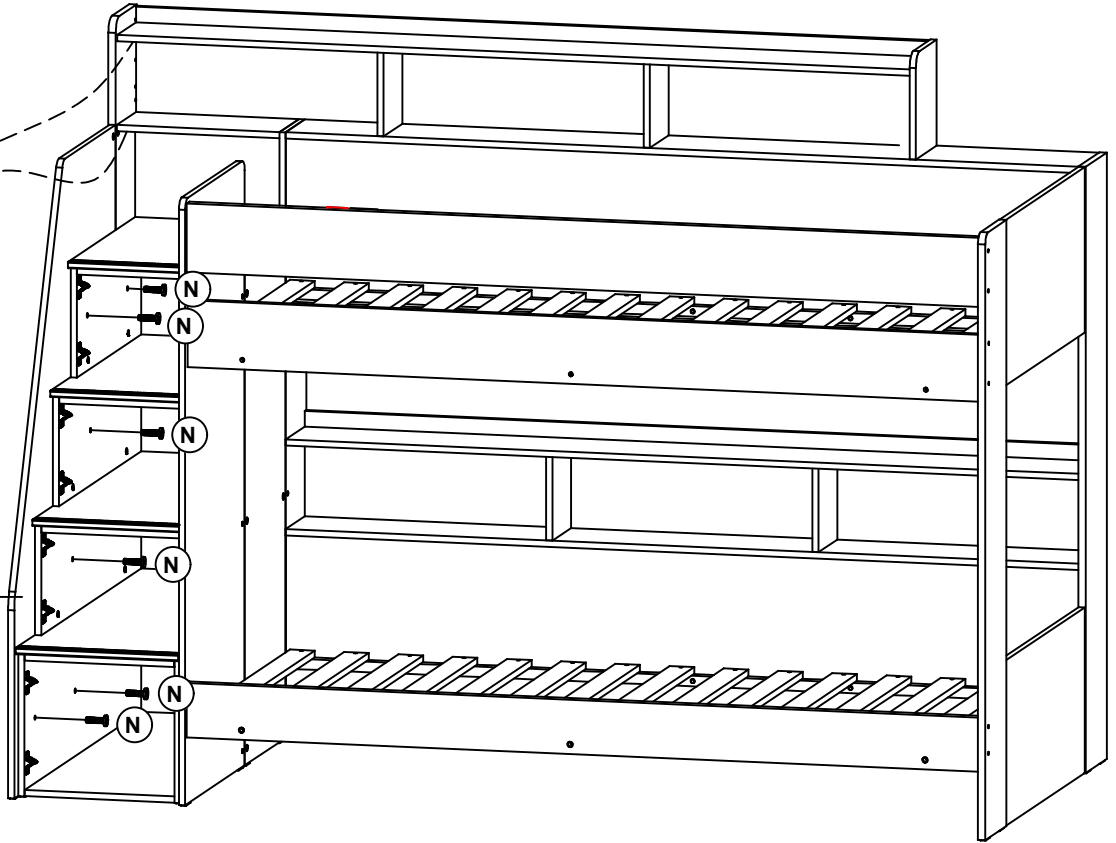


N x 6

x 2



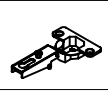
40



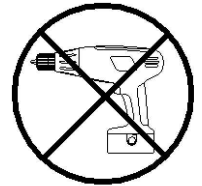
56



G x 16

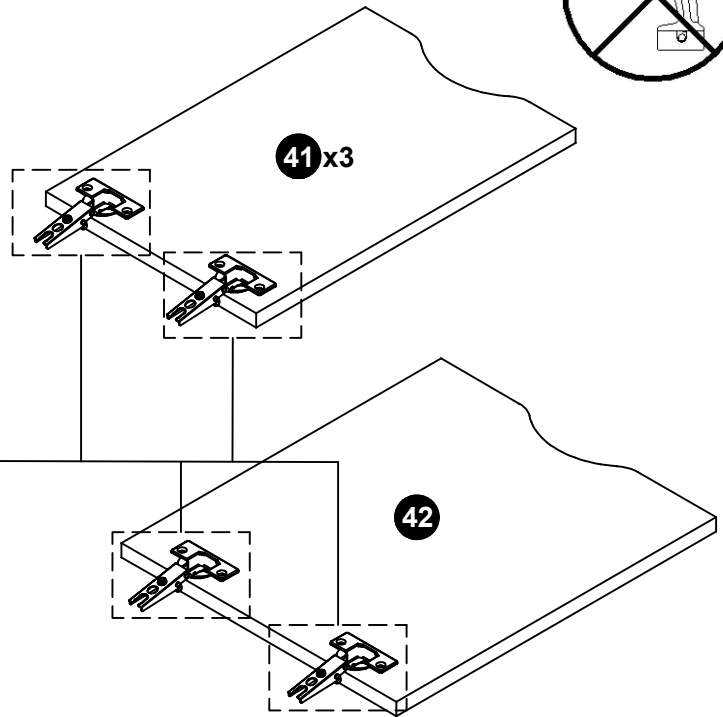
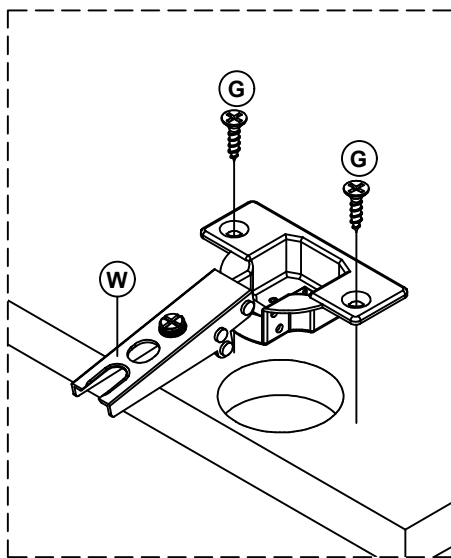


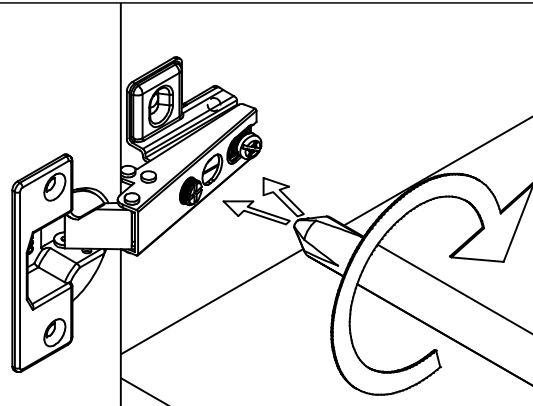
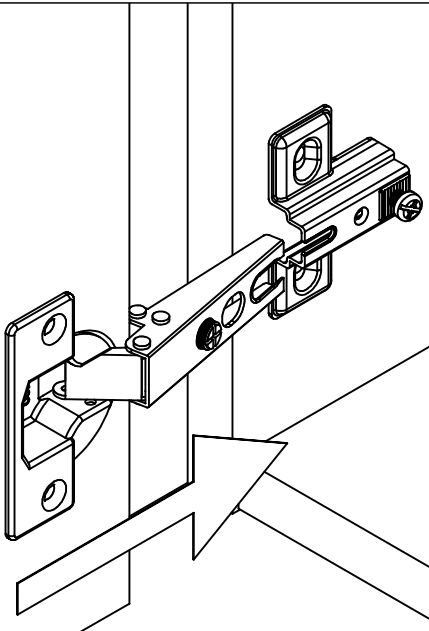
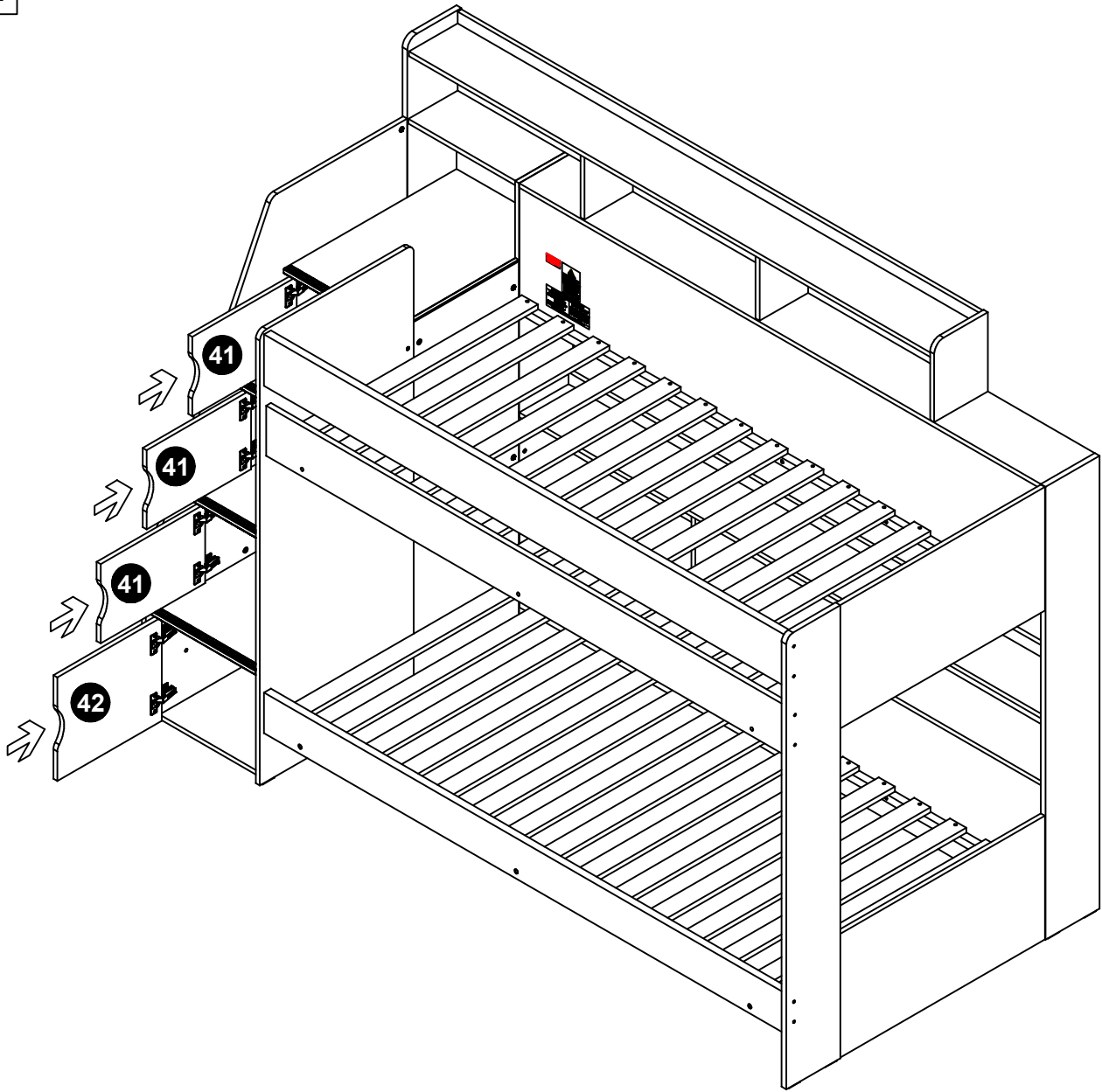
W x 8



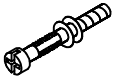
41 x 3

42





58



A x 18



B x 18



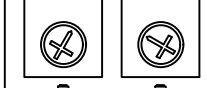
D x 24

WHEN FITTING CAMS

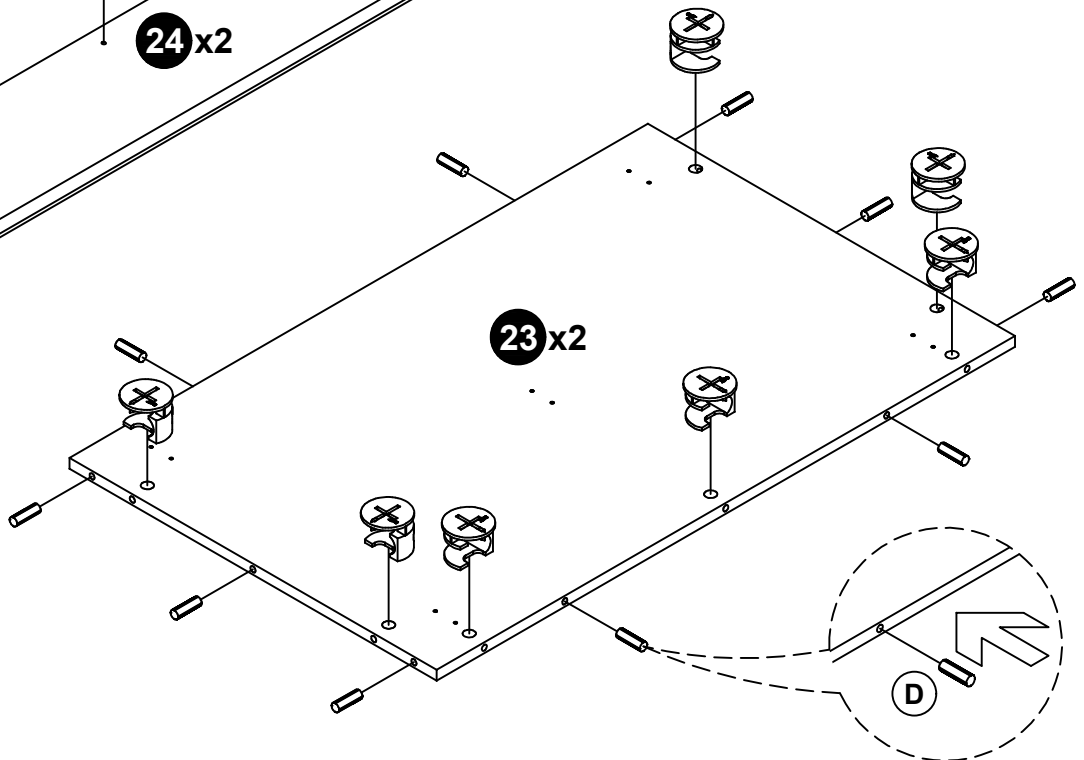
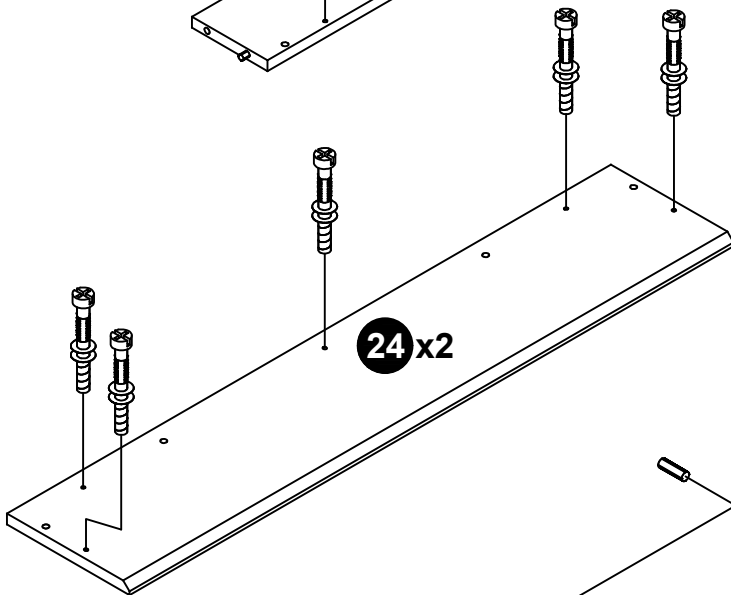
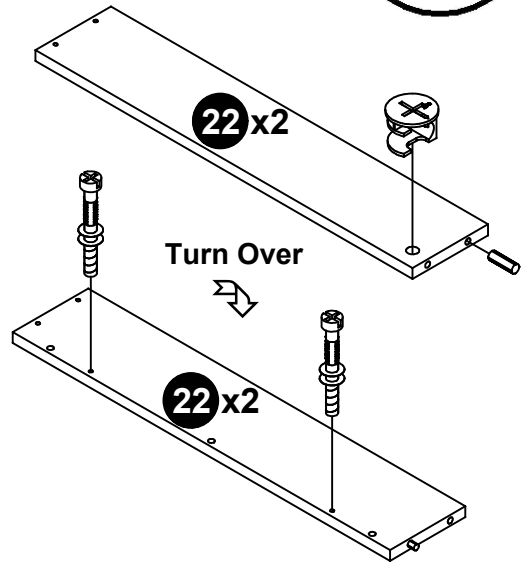
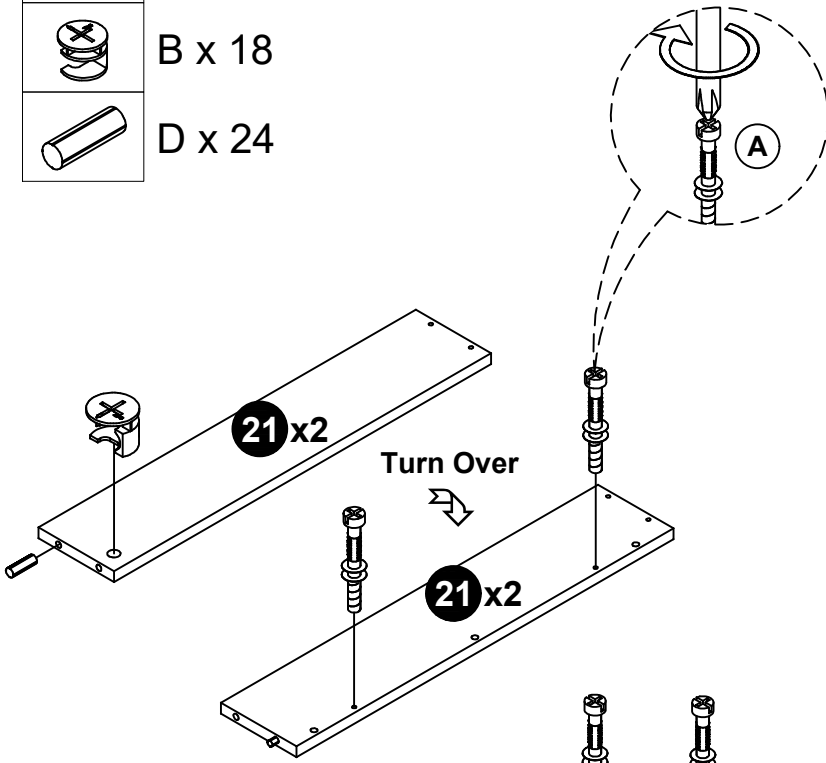
ENSURE STARTING POSITION IS CORRECT
BEFORE YOU INSERT CONNECTING BOLT
TURN CLOCKWISE UNTIL SECURE



↑
CORRECT



WRONG



59

G x 20

P x 10

23

Do This Step 2 Times

60

F x 6

23

20

F

F

F

Do This Step 2 Times

61

F x 8

23

22

21

F

F

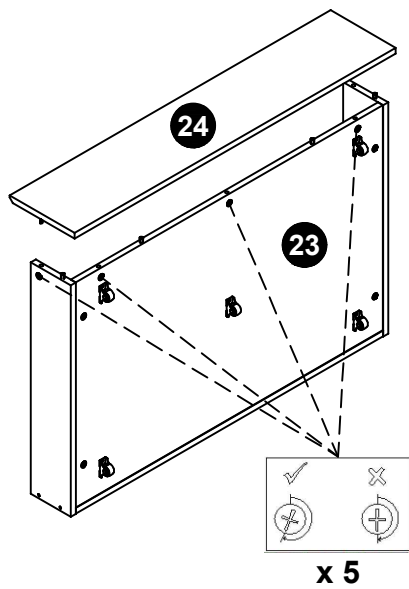
F

F

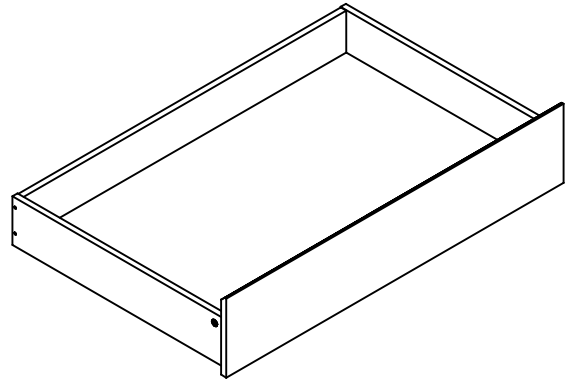
x 4

Do This Step 2 Times

62

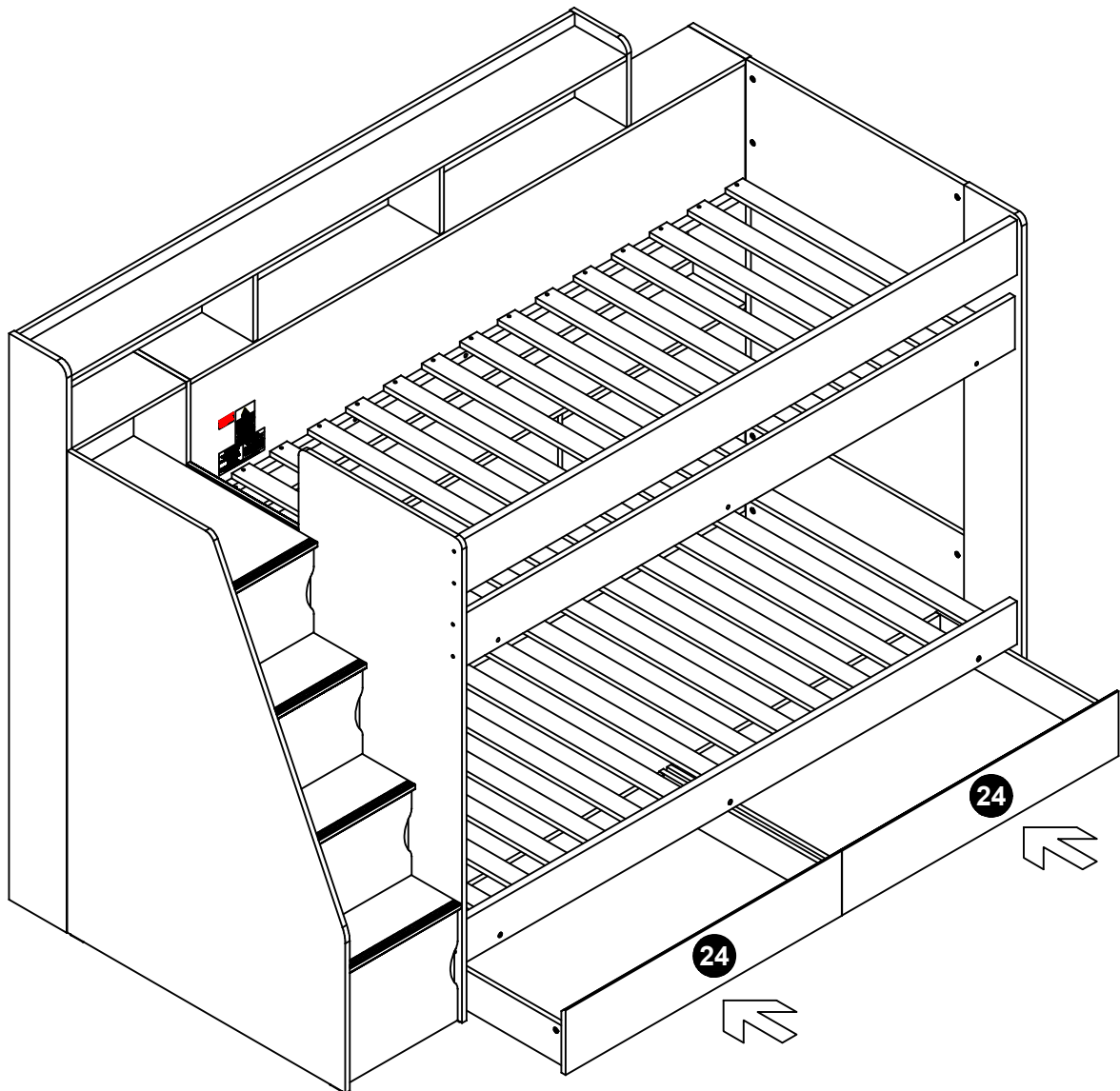


63



Do This Step 2 Times

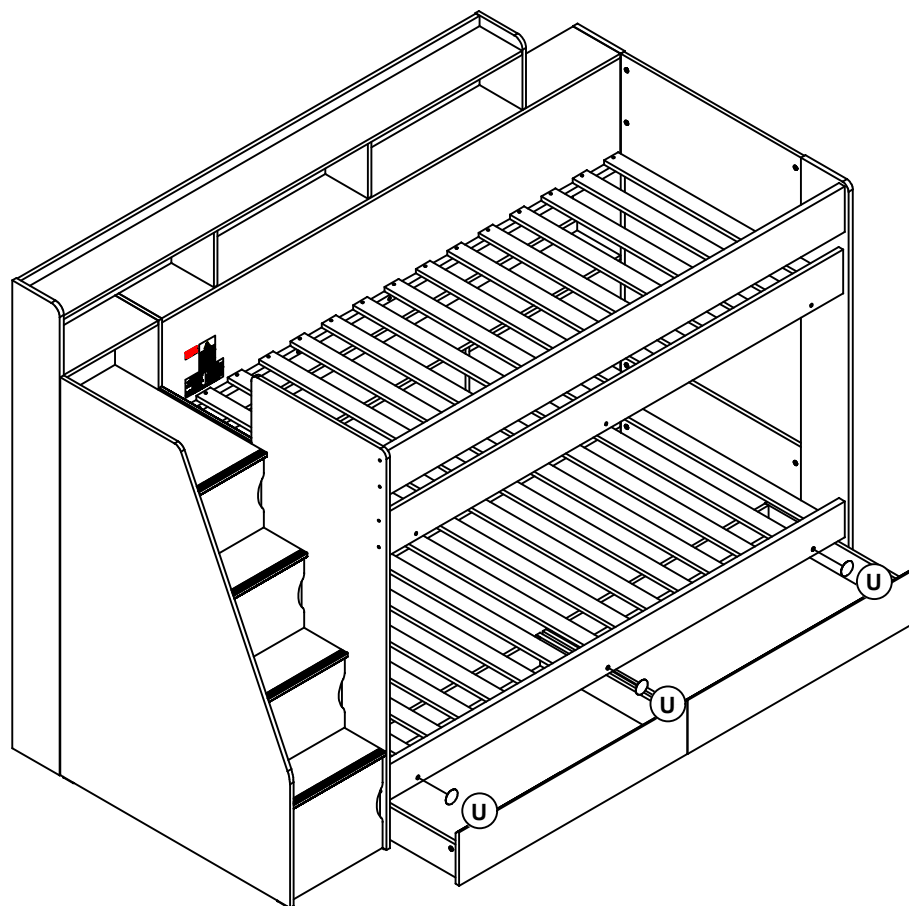
64



65



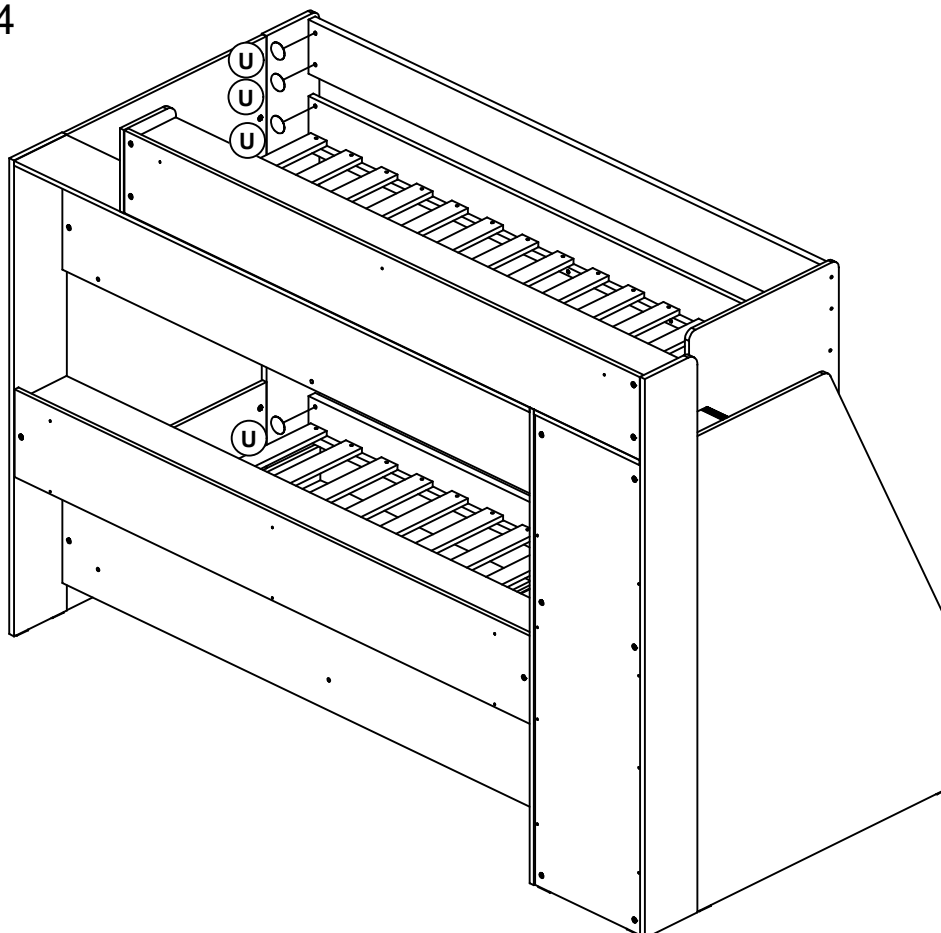
U x 3



66



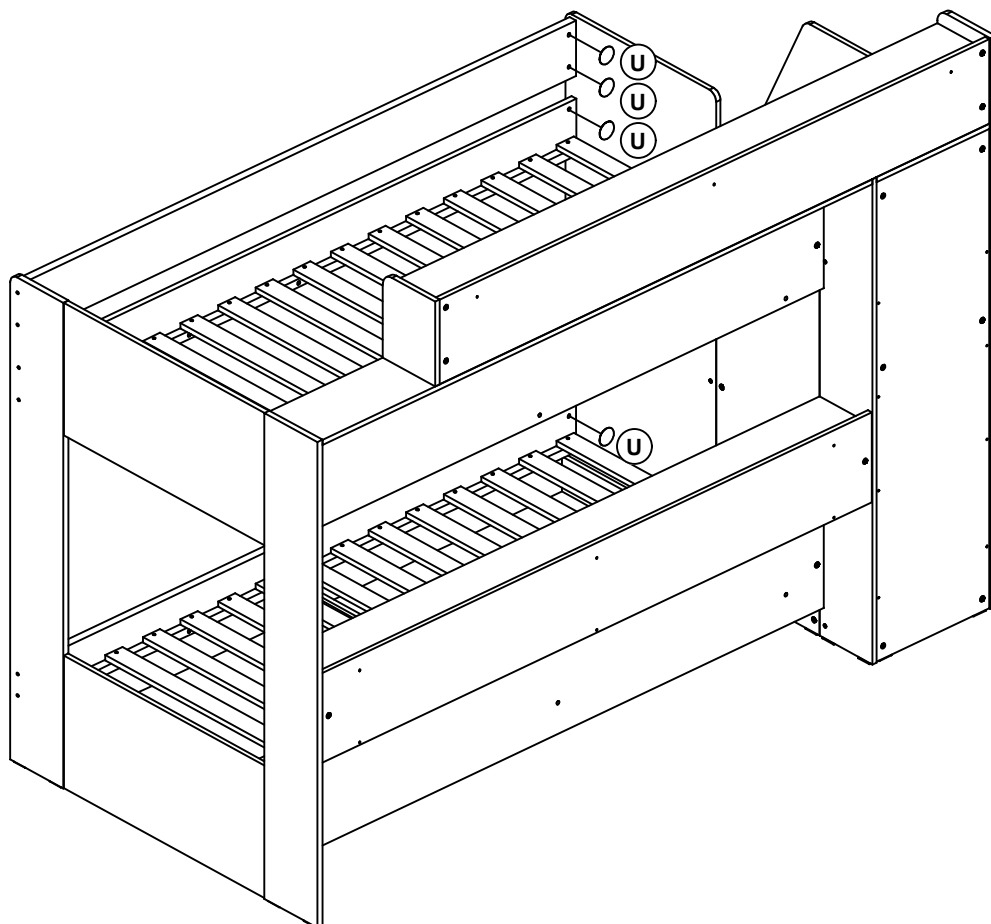
U x 4



67



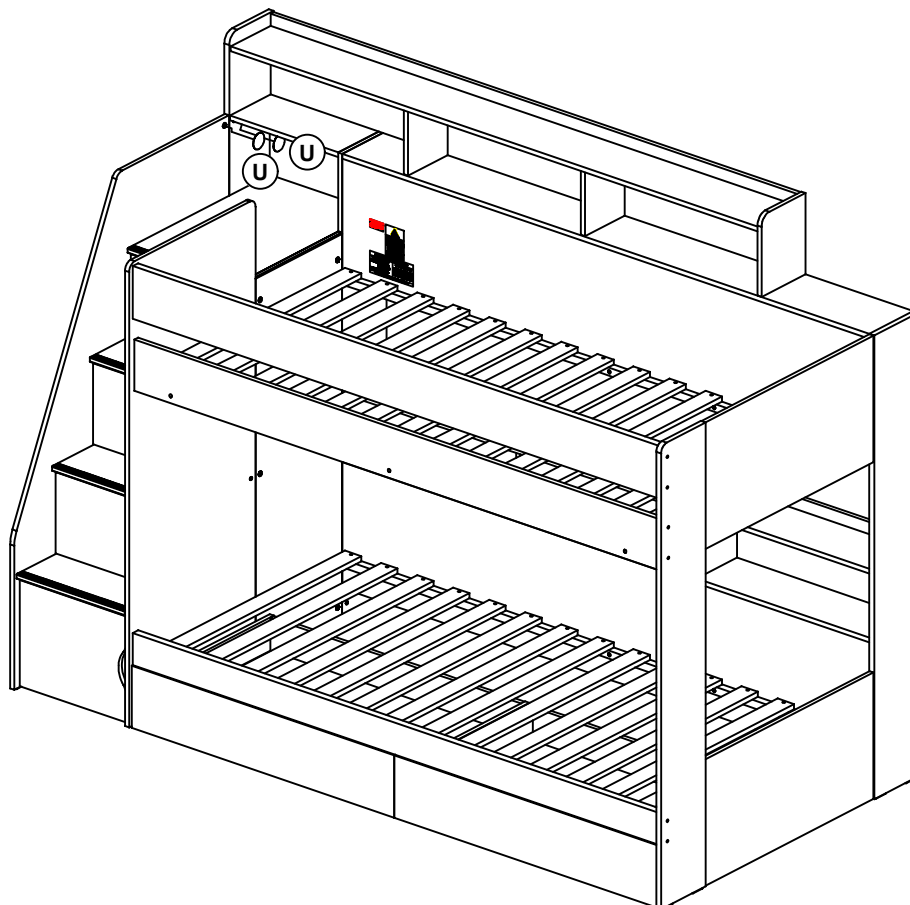
U x 4



68



U x 2



GENERAL CARE & MAINTENANCE

We advise that when cleaning the product that a damp cloth is used.

Avoid the use of all household cleaners and abrasive.

Never push or drag the furniture.

Never attempt to move the furniture when fully loaded.

We advise that periodically all fixing are re-tightened.

Please dispose of all packaging safely.

General Care & Maintenance

Wipe clean with a slightly damp cloth.
Avoid the use of all household cleaners and abrasives.

Periodically check all screw & fixings to ensure they are secure.

When moving your product, carefully lift into place. Never drag or push the product across the floor as this will cause damage to the joints. If the product is used on hard flooring, such as wood or laminated floor, you must place some protection under the legs to stop the product from moving. If this is not adhered to, it could result in failure to the product that will invalidate the warranty.

For more information on cleaning and product care visit:
<https://www.happybeds.co.uk/help-and-advice>

Notes

In the unlikely event that you have problems putting this product together or have damaged or missing parts, please contact us by visiting:
<https://www.happybeds.co.uk/customer-service>