

## ASSEMBLY INSTRUCTIONS

### TYLER 3' DAYBED

**IMPORTANT:** READ THESE INSTRUCTIONS CAREFULLY BEFORE ASSEMBLING OR USING YOUR BED FRAME

PLEASE KEEP THESE INSTRUCTIONS FOR FUTURE REFERENCE.

#### HEALTH & SAFETY

DO NOT jump on this bed frame.

DO NOT use this bed frame if any parts are missing, damaged or worn.

DO NOT use this bed frame unless all fixings are secured.

Please keep small parts out of reach of children.

Always use on a level, even surface.

**WARNING:** If this bed is placed on a non-carpeted floor you must place some protection under all legs to stop the bed frame from moving. If this is not adhered to there is no guarantee if the bed frame collapses.

#### CARE & MAINTENANCE:

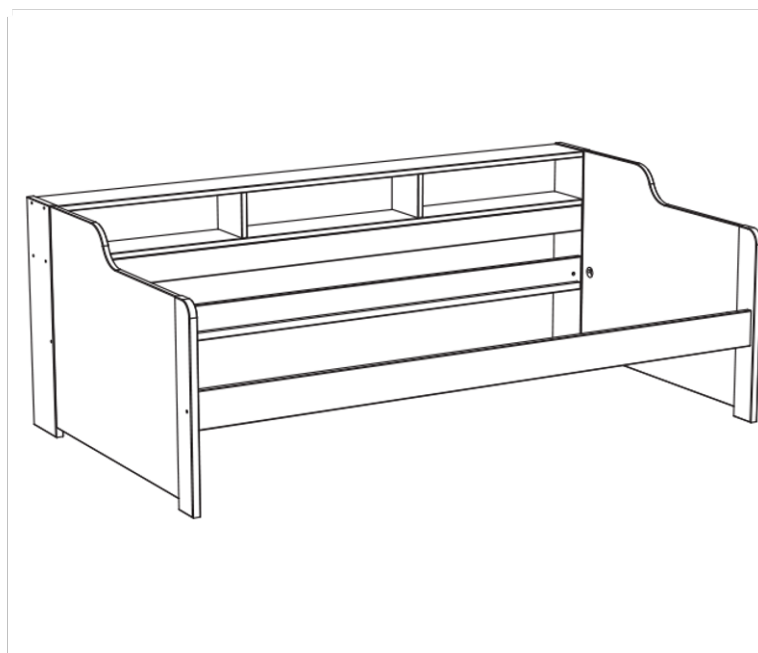
Assembly in the room use.

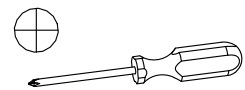
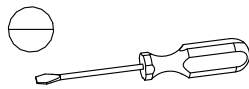
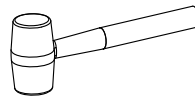
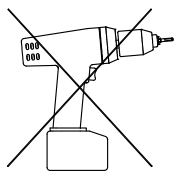
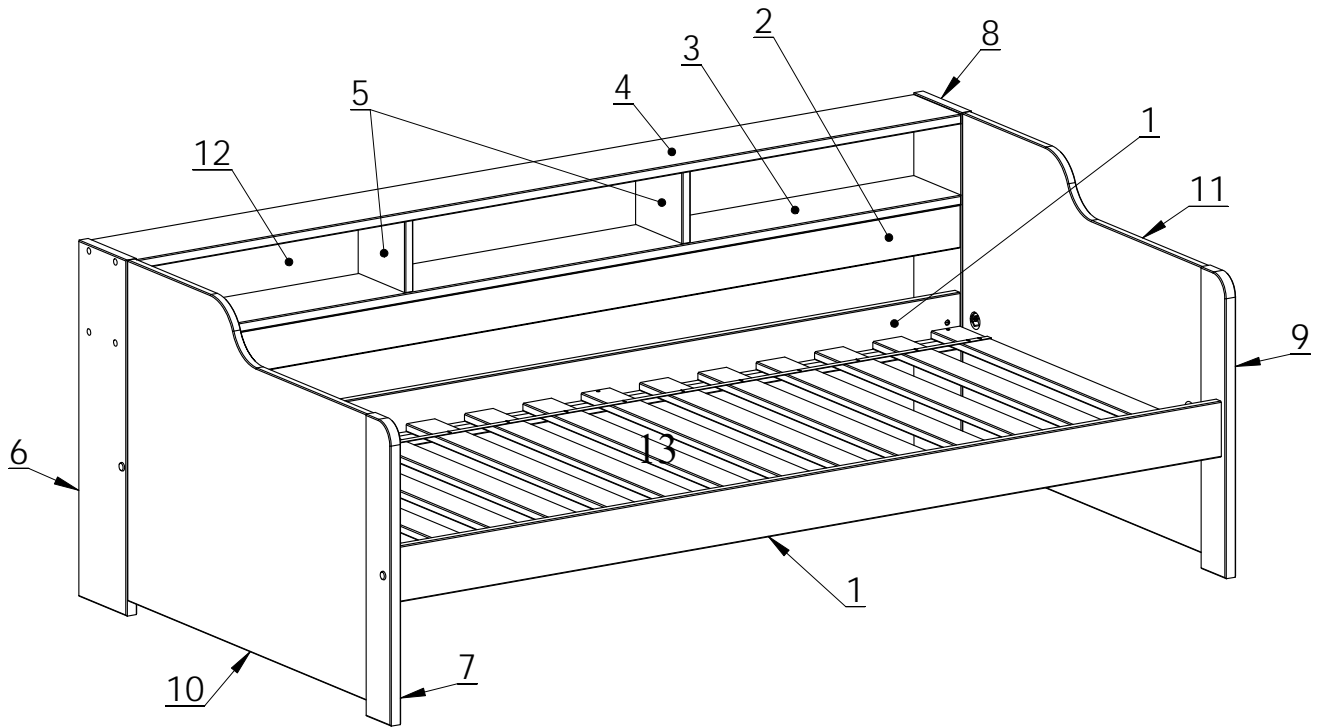
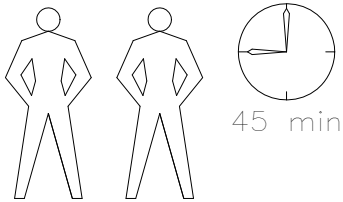
Periodically check all screw & fixings to ensure they are secure.

DO NOT push the bed frame as this will damage the legs.

Always lift the bed with two people to reposition.

Keep any sharp objects away from the frame.

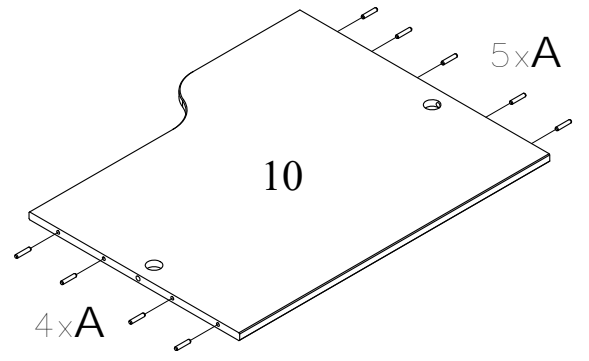
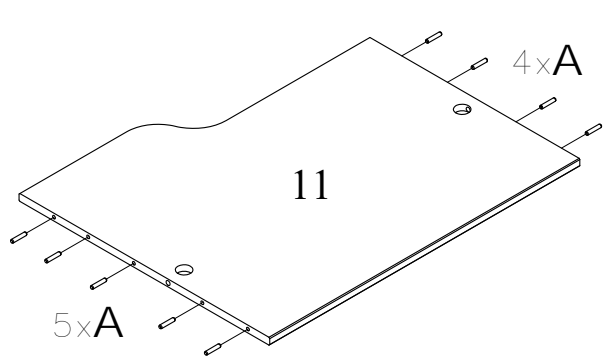
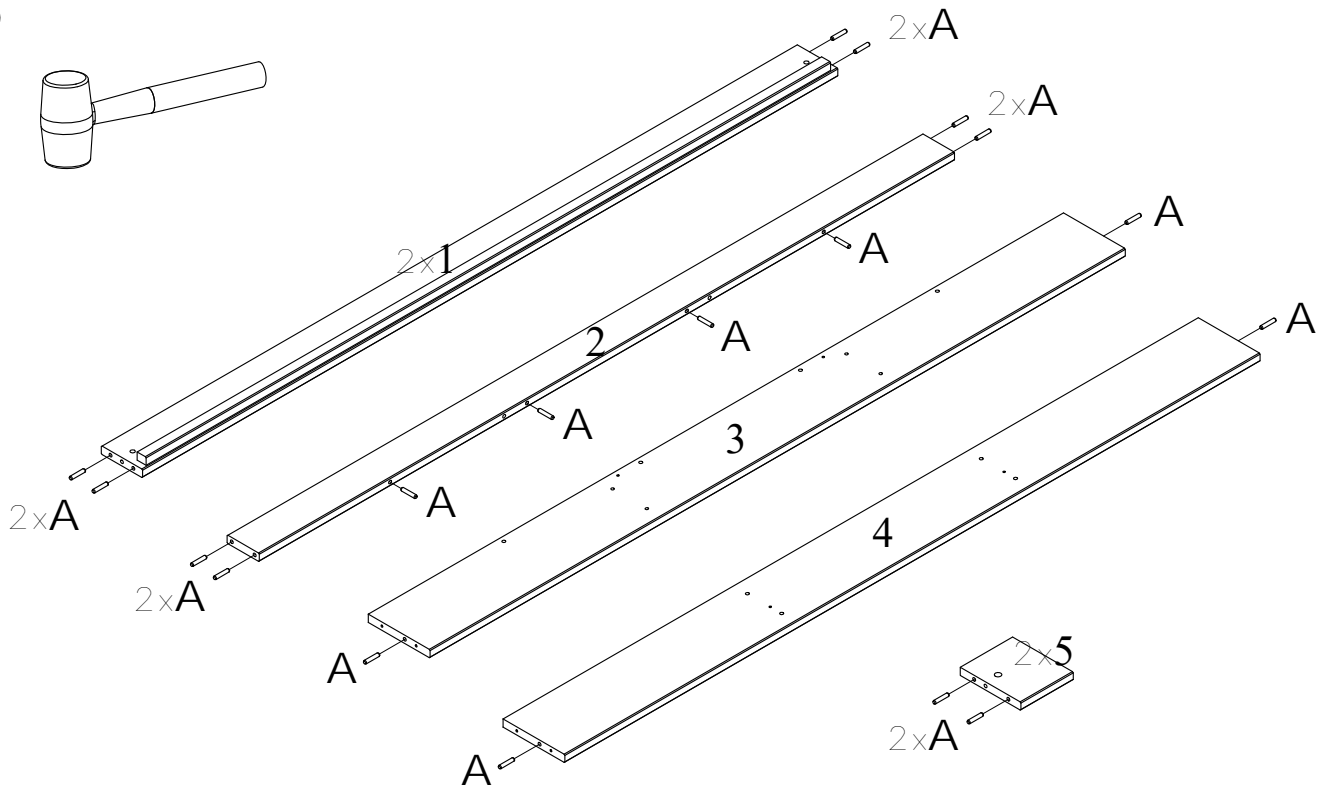




A		8x40	x42
B		7x50	x4
C		7x60	x12
D		D35	x4
E		7x34	x4
F		D15x12	x4
G		M6x60	x4

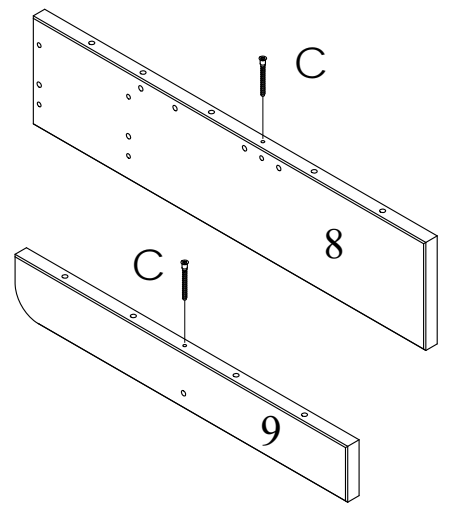
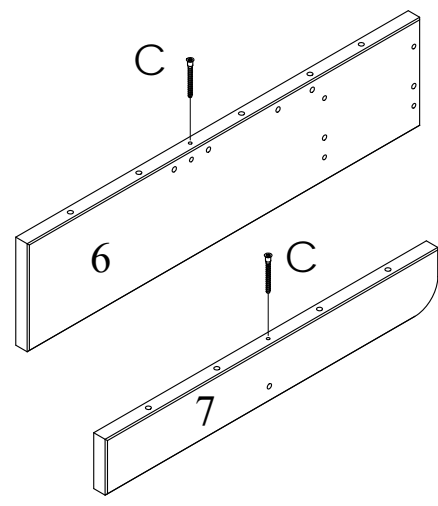
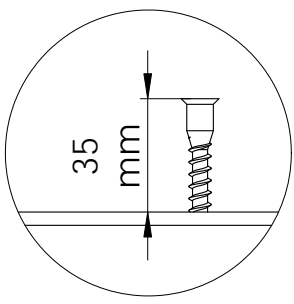
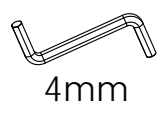
H		M6x10x13	x4
J		1,6x16	x25
K		3,5x40	x6
L		D4x13	x8
M		D15x18	x4
N		4mm	x1

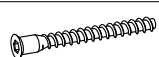
①



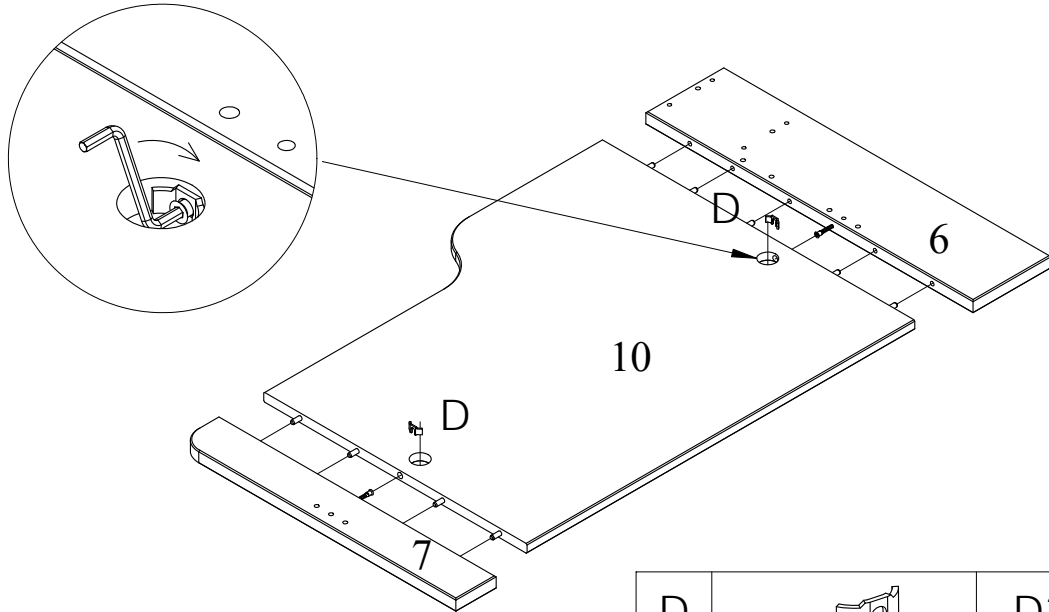
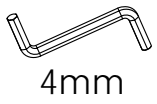
A		8x40	x42
---	---	------	-----

②



C		7x60	x4
---	---	------	----

③



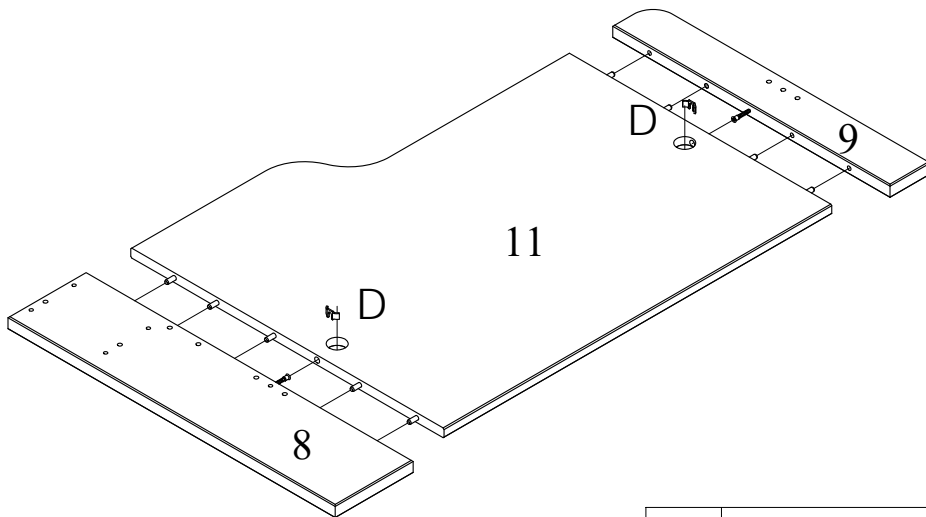
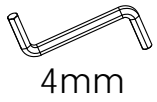
D



D35

x2

④



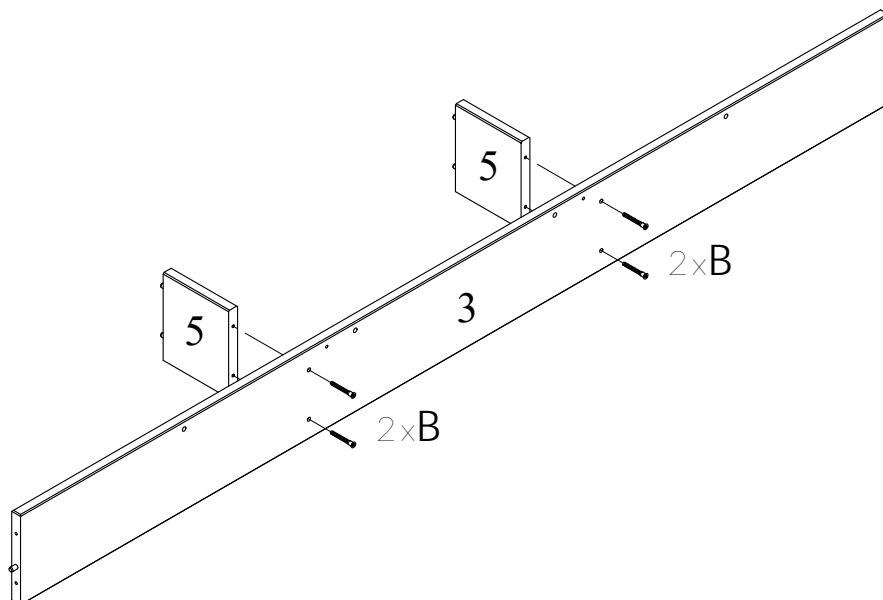
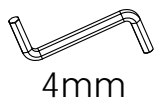
D



D35

x2

⑤



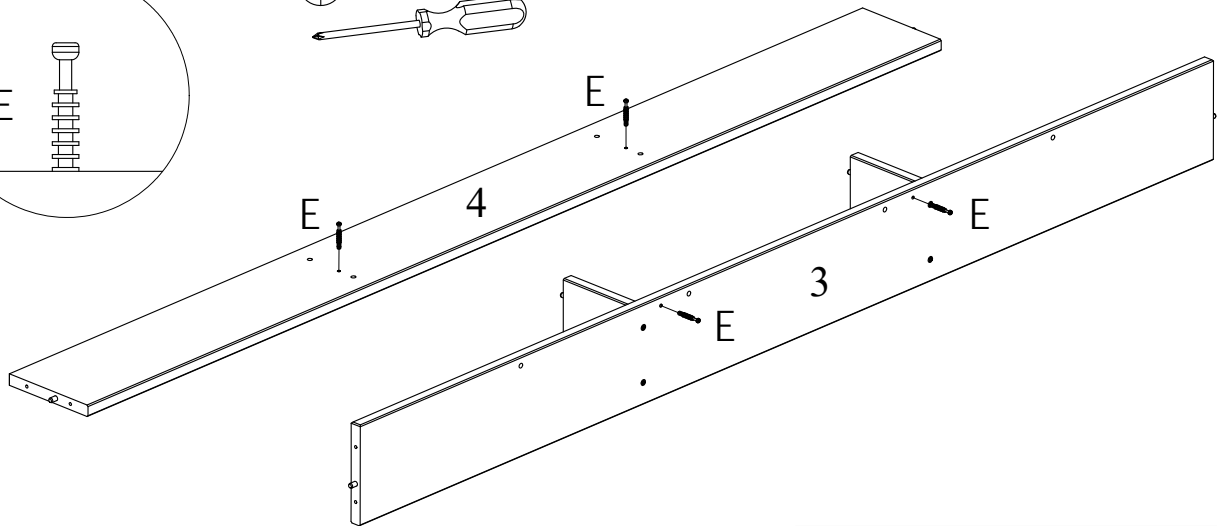
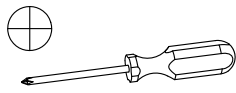
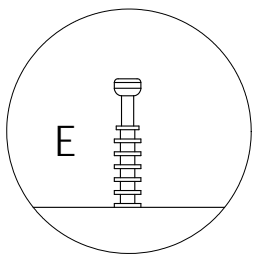
B



7x50

x4

6



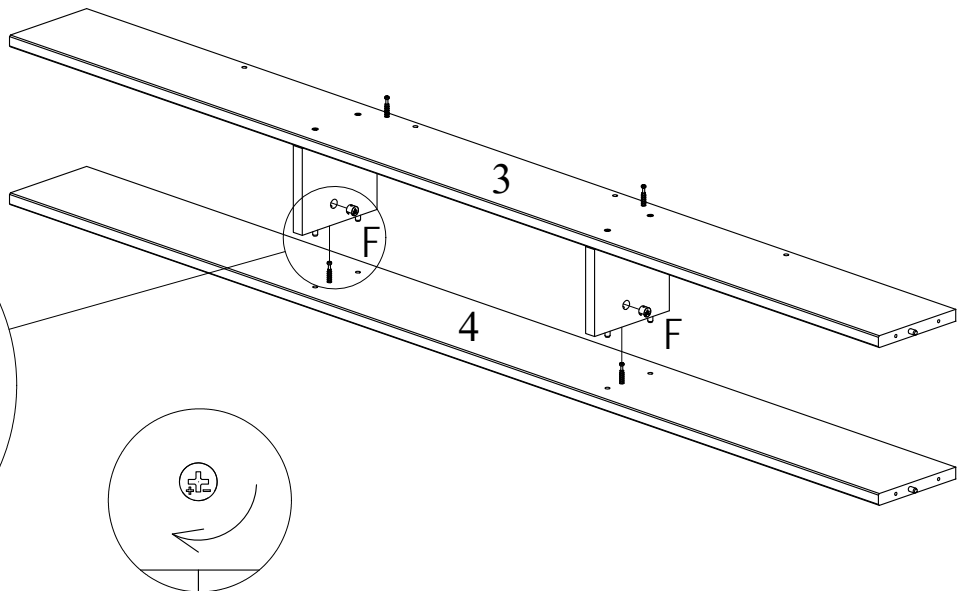
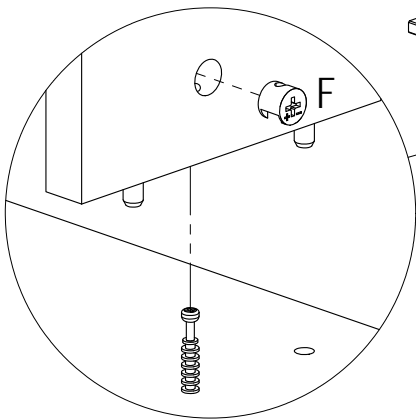
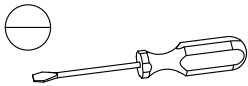
E



7x34

x4

7



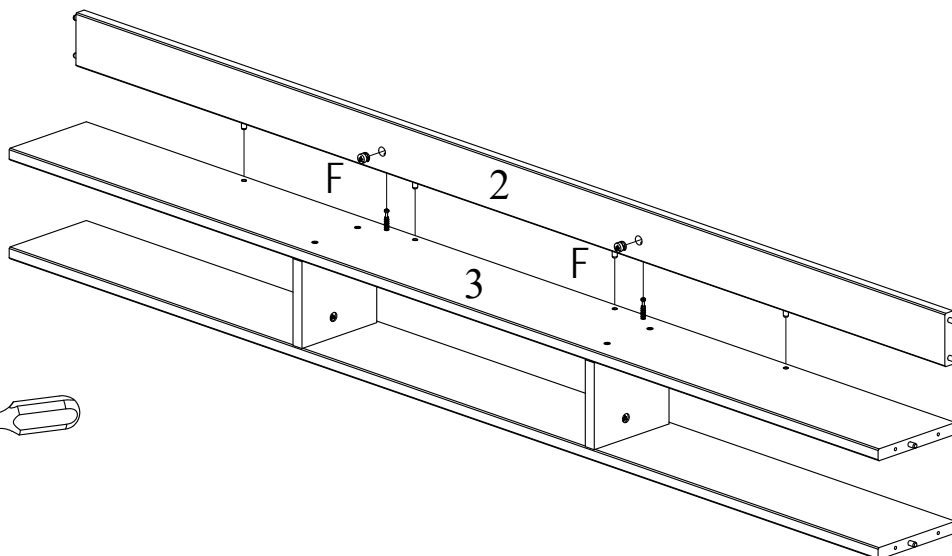
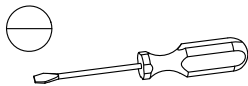
F



D15x12

x2

8



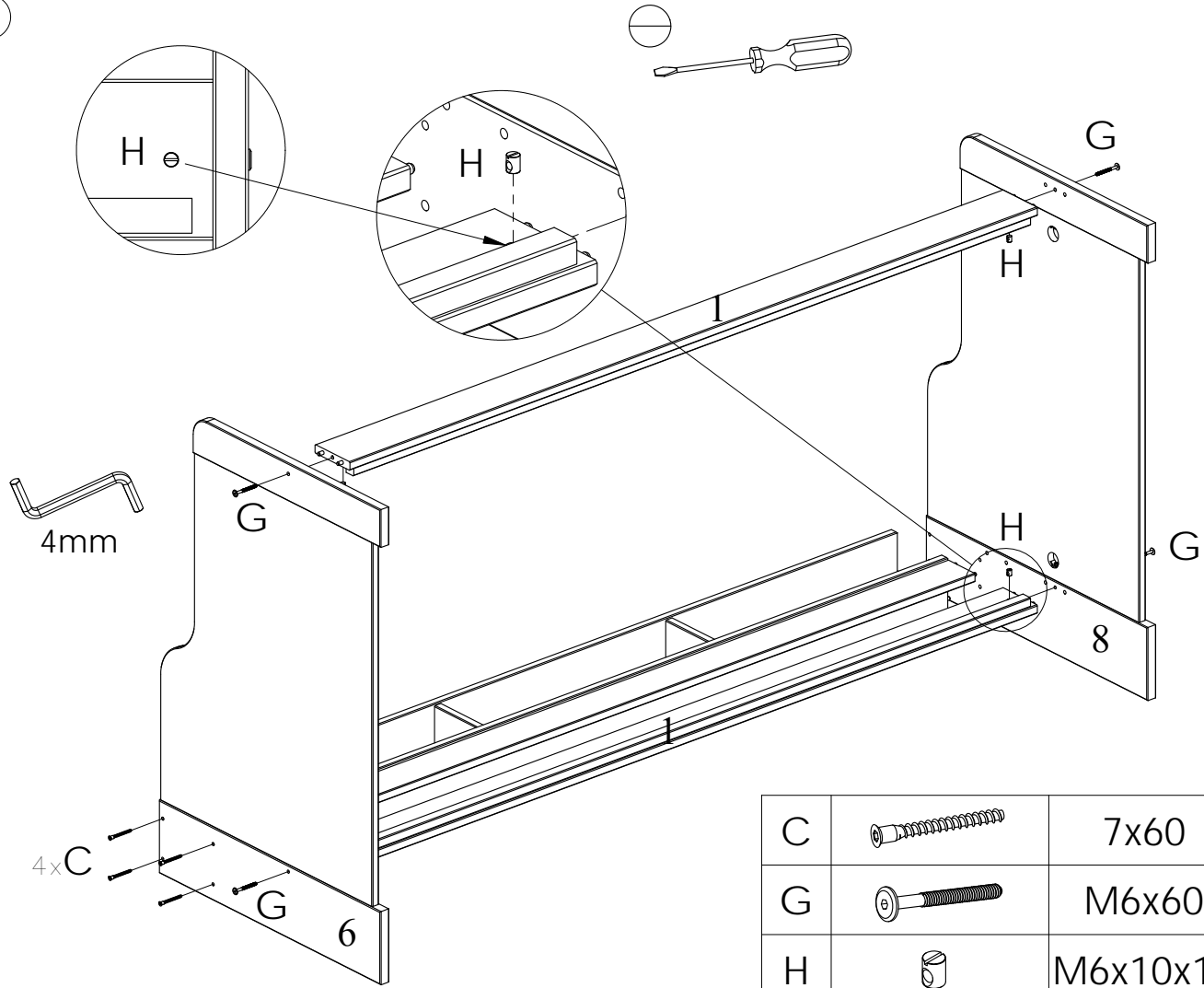
F



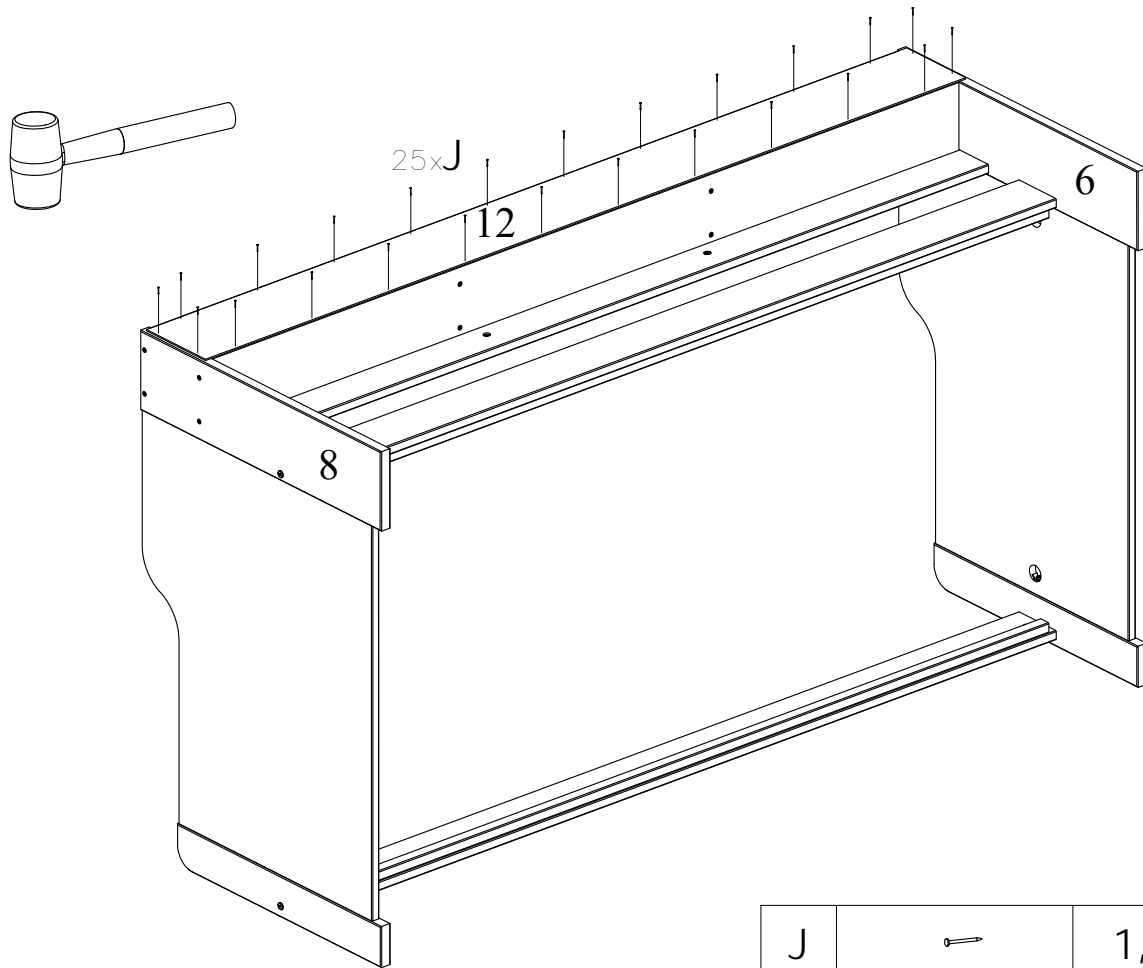
D15x12

x2

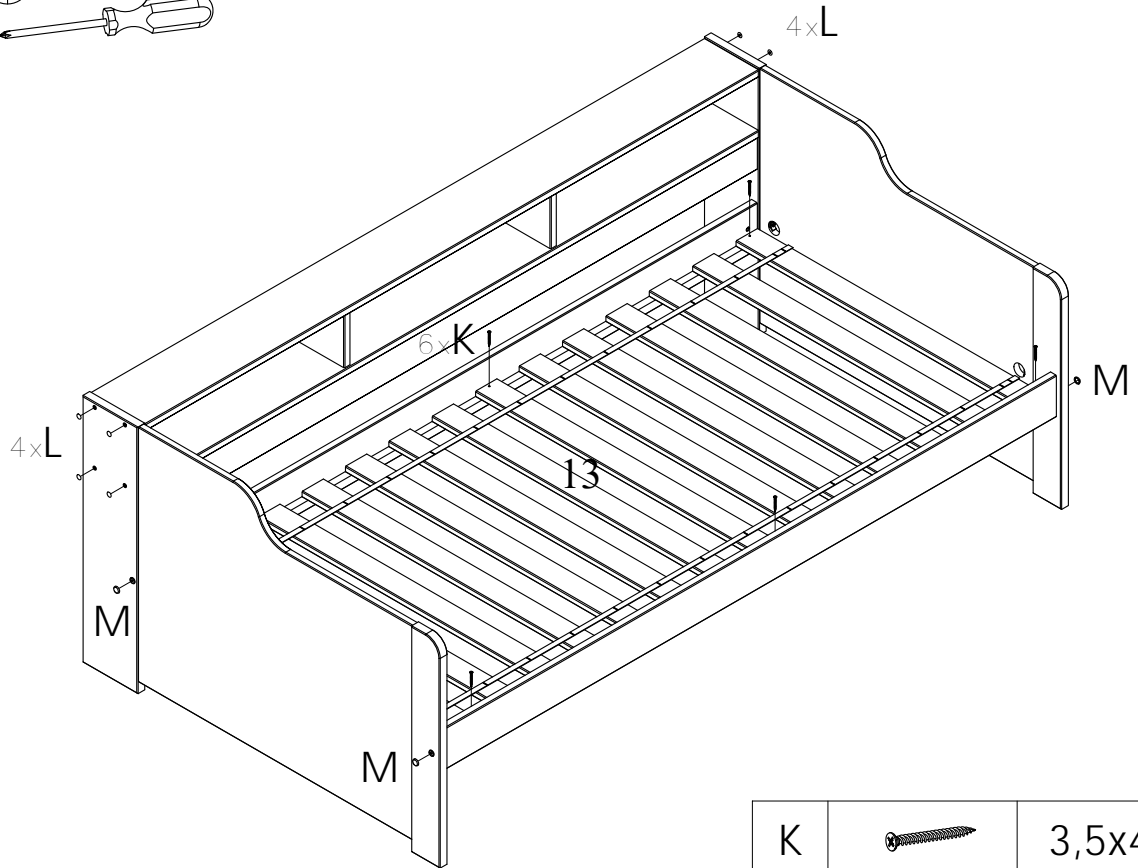
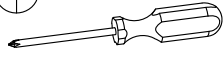
9






10



11



K		3,5x40	x6
L		D4x13	x8
M		D15x18	x4