

Assembly Instructions

Important before assembly:

Read these instructions carefully before assembling or using the product.

Please check the contents of the boxes before attempting to assemble this product. The instructions will have a checklist of parts and fittings.

Assemble the product as close to its intended final location/room as possible.

Health & Safety:

This product or some parts of this product will be heavy. Please use an assistant when lifting.

Please keep small parts out of reach of children.

Always use on a level, even surface.

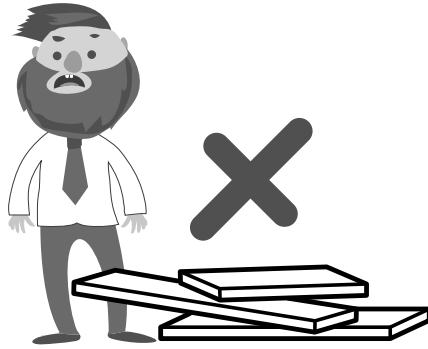
DO NOT jump on the product or any of its parts.

DO NOT use this product if any parts are missing, damaged or worn.

DO NOT use this product unless all fixings are secured.

Further instructions are on the following pages.

Please keep these instructions for future reference.



This product or some parts of this product will be heavy. Please use an assistant when lifting.



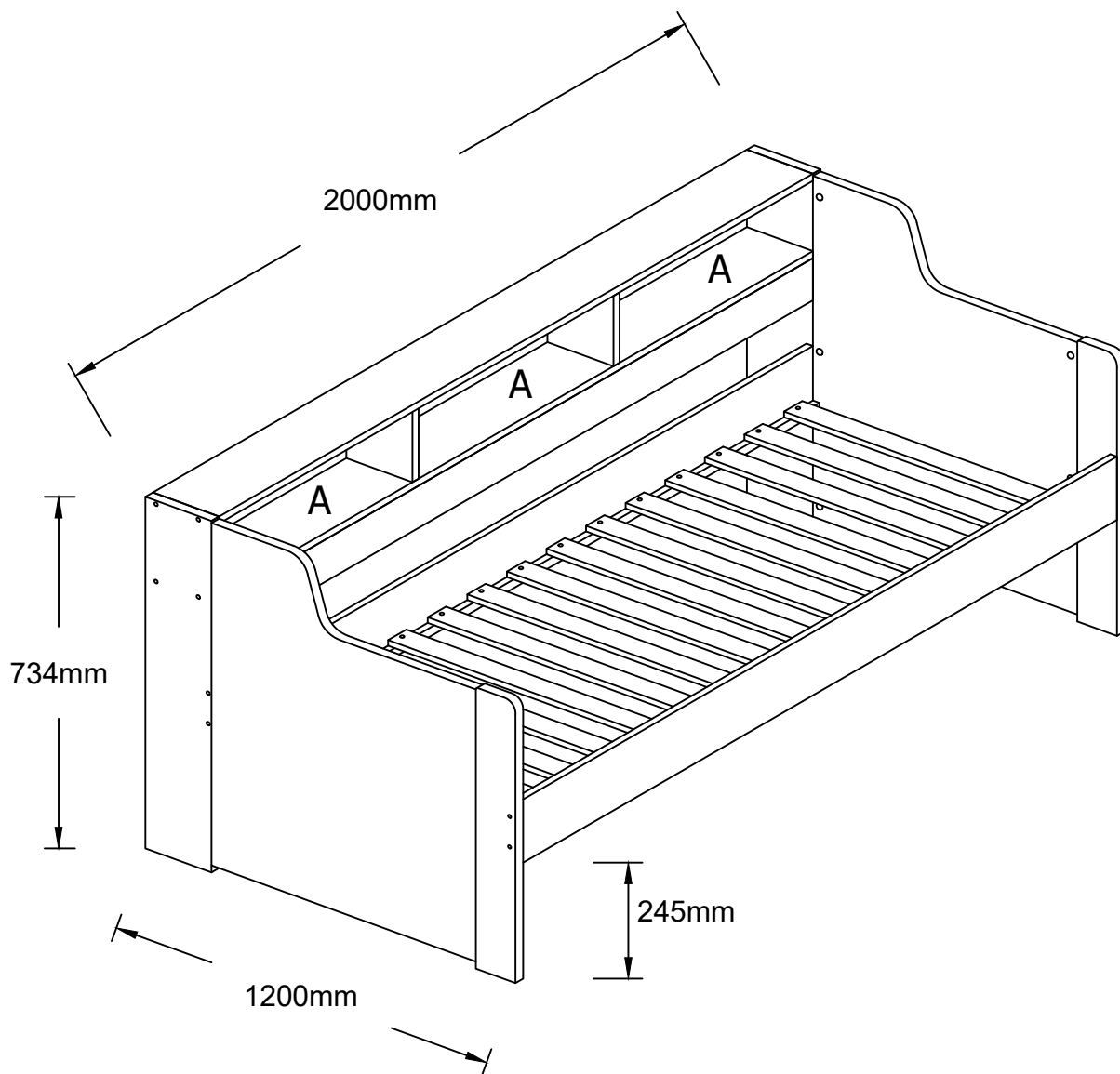
Never drag or push the pieces across a hard or stone floor as this will cause damage to the joints. Use a carpet or a rug for extra care.



If you have problems assembling or have damaged or missing pieces, please contact our customer services (details at the back of these instructions)

TYLER DAY BED

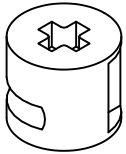
ASSEMBLY INSTRUCTION



A: L635 X W175 X H150mm
All measurements are approximate

Hardware

A



Cam
20PCS

B



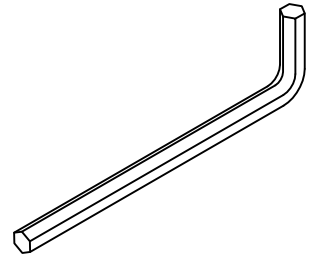
Cam Stud
20PCS

C



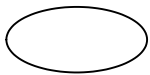
M8 x 30mm
32PCS

D



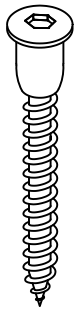
M4 Allen key
1PC

E



Round Sticker
30PCS

F



Unitar Screw
M6 x 40mm
2PCS

G



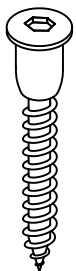
JCBC W SCREW
M6 X 30MM
32PCS

H



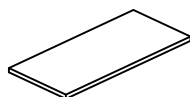
Unitar JCBC Screw
M6 x 55mm
8PCS

I



Unitar Screw
M6 x 50mm
8PCS

J



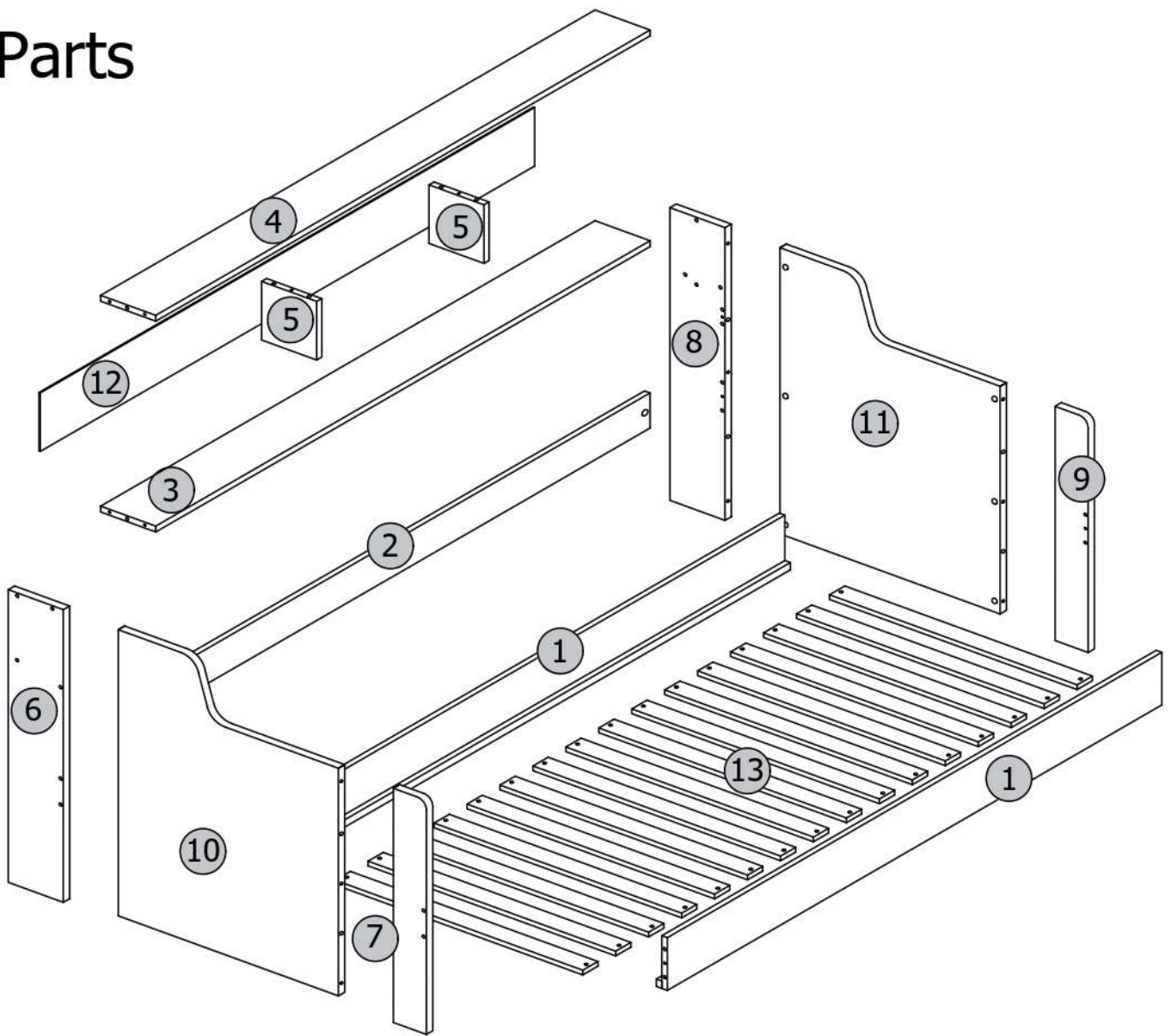
FELT PAD
4PCS

K



CSK SCREW
M3.5 X 16MM
18PCS

Parts

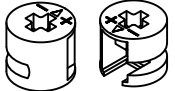
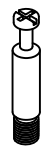
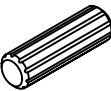


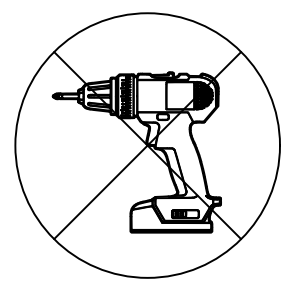
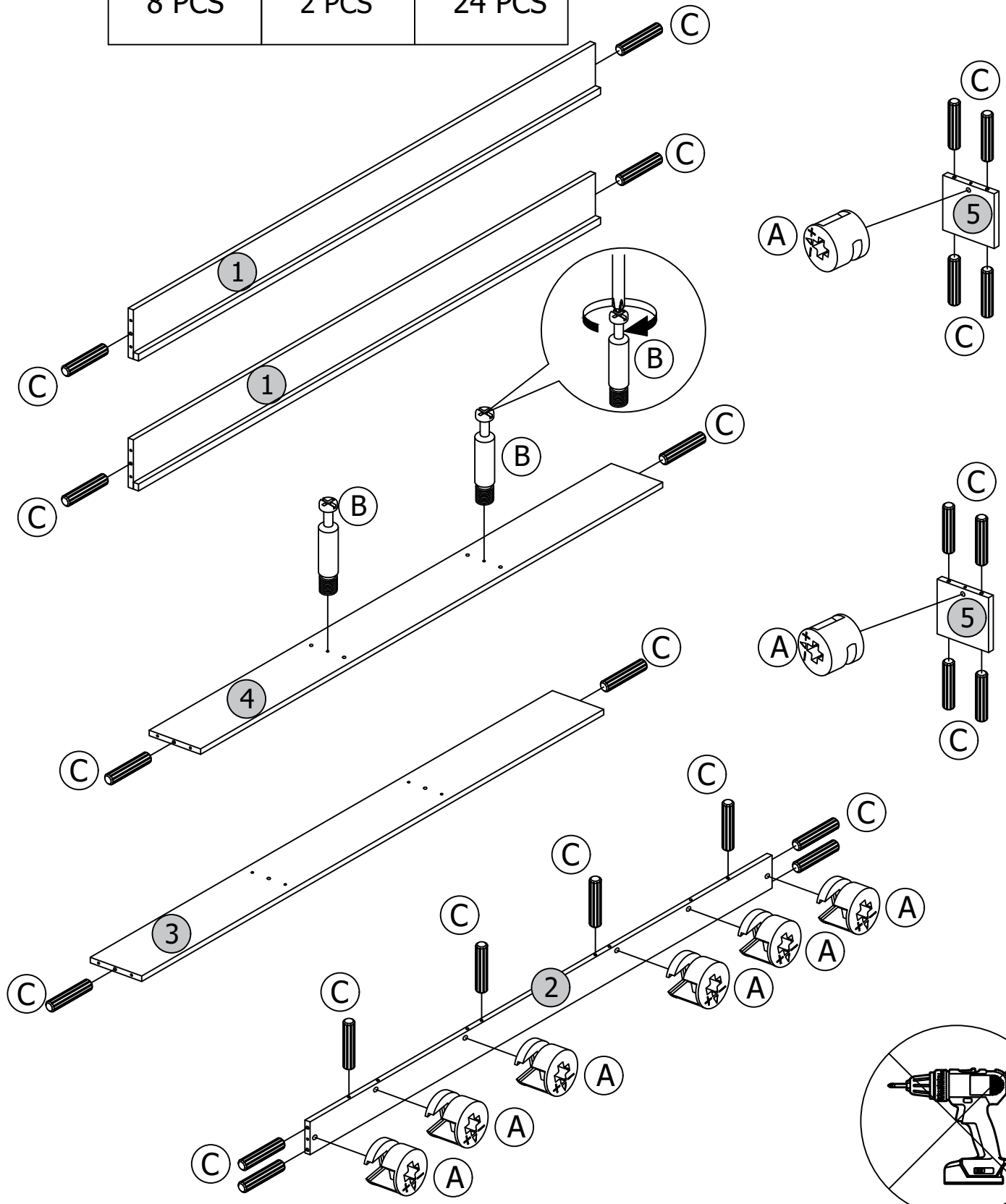
ALL PARTS ARE NUMBERED ACCORDINGLY

CARTON 1 OF 2		
NO	PART NAME	QTY
1	Side rail	2
2	Side panel	1
3	Shelf panel	1
4	Top panel	1
12	Back panel	1
Hardware + Assembly Instruction		

CARTON 2 OF 2		
NO	PART NAME	QTY
5	Divider	2
6	Left frame panel	1
7	Left leg panel	1
8	Right frame panel	1
9	Right leg panel	1
10	Left end panel	1
11	Right end panel	1
13	LVL slats	16

Step 1

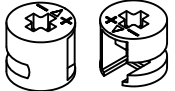
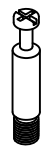
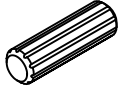
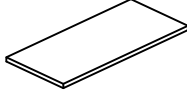
		
A	B	C
8 PCS	2 PCS	24 PCS

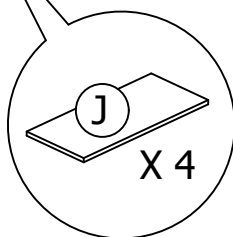
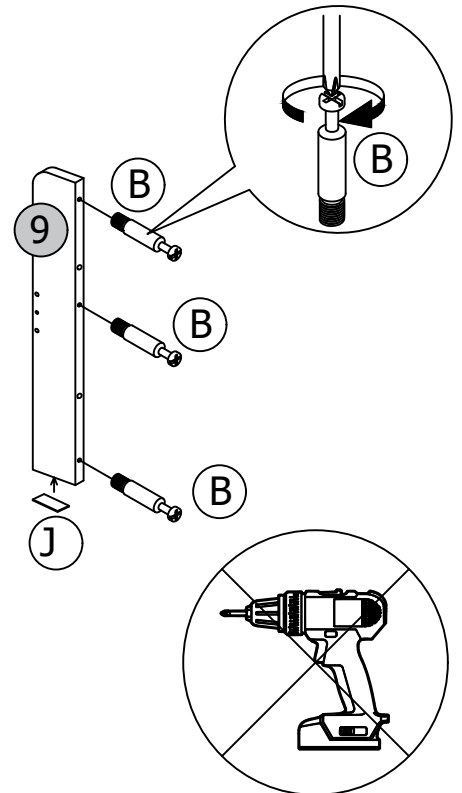
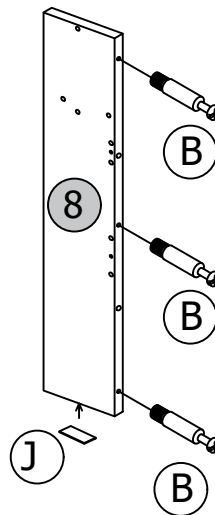
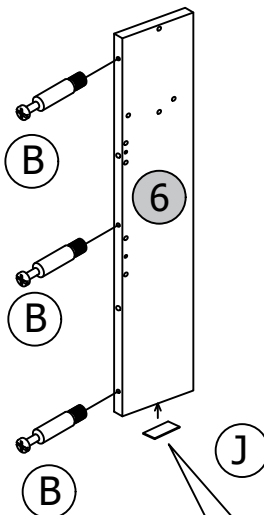
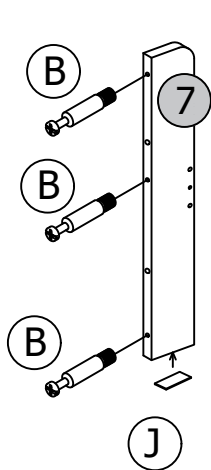
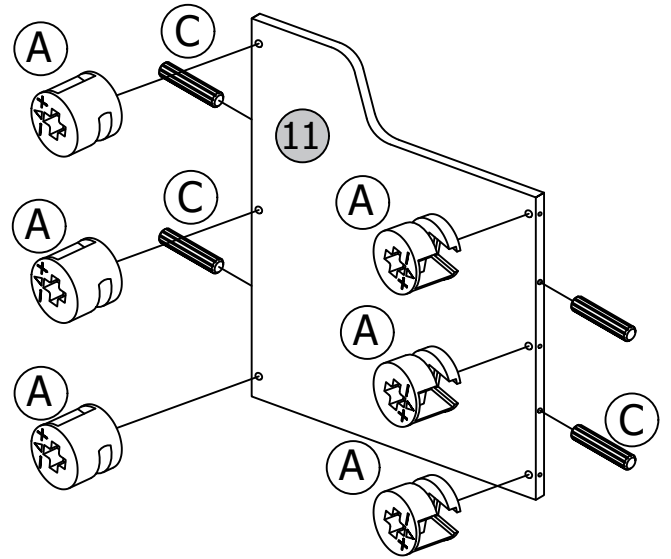
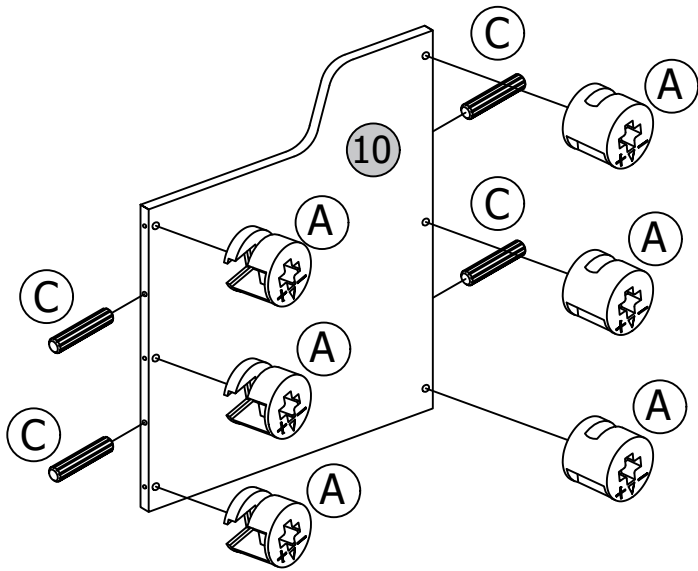


DO NOT USE POWER TOOLS

DO NOT USE POWER TOOLS AS THIS MAY DAMAGE THE FRAME AND WILL INVALIDATE ANY CLAIM.

Step 2

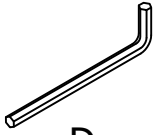
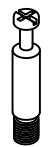
			
A	B	C	J
12 PCS	12 PCS	8 PCS	4 PCS








DO NOT USE POWER TOOLS AS THIS MAY DAMAGE THE FRAME AND WILL INVALIDATE ANY CLAIM.

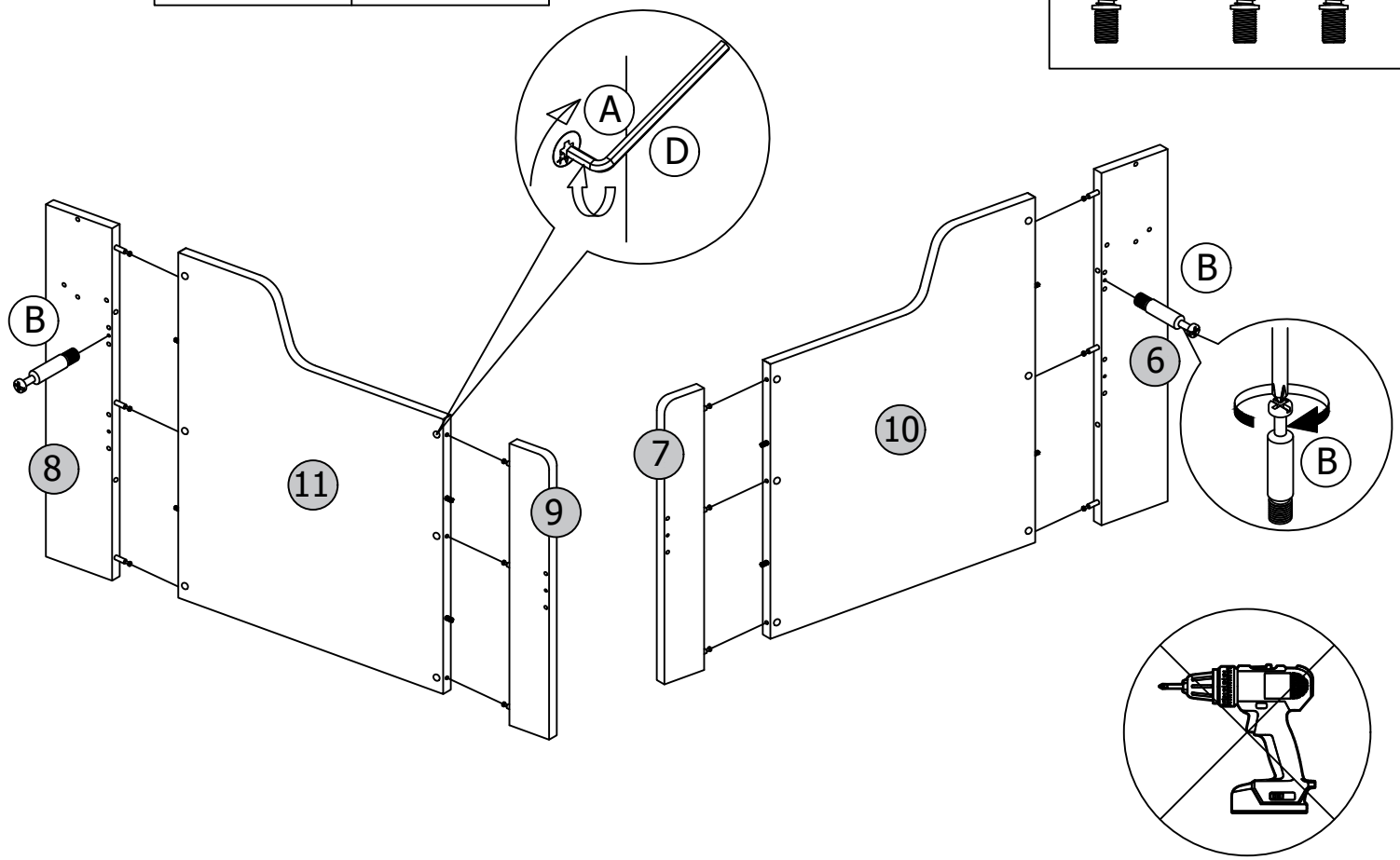
DO NOT USE POWER TOOLS

Step 3

	
D	B
1 PC	2 PCS

WHEN FITTING CAMS
ENSURE STARTING POSITION IS CORRECT
BEFORE YOU INSERT CONNECTING BOLT
TURN CLOCKWISE UNTIL SECURE

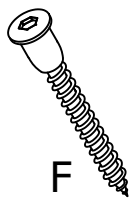
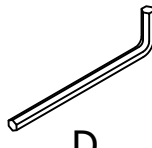
CORRECT 	WRONG 	
		

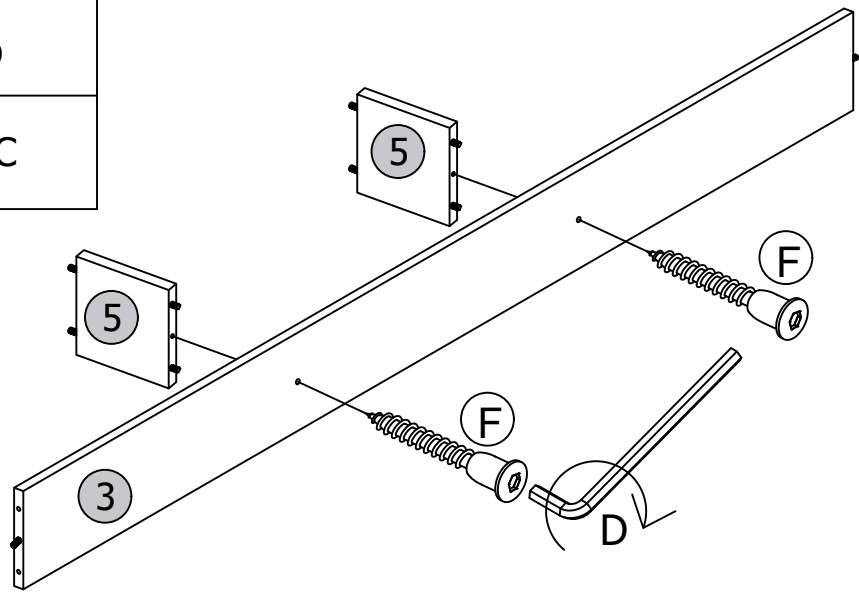


DO NOT USE POWER TOOLS

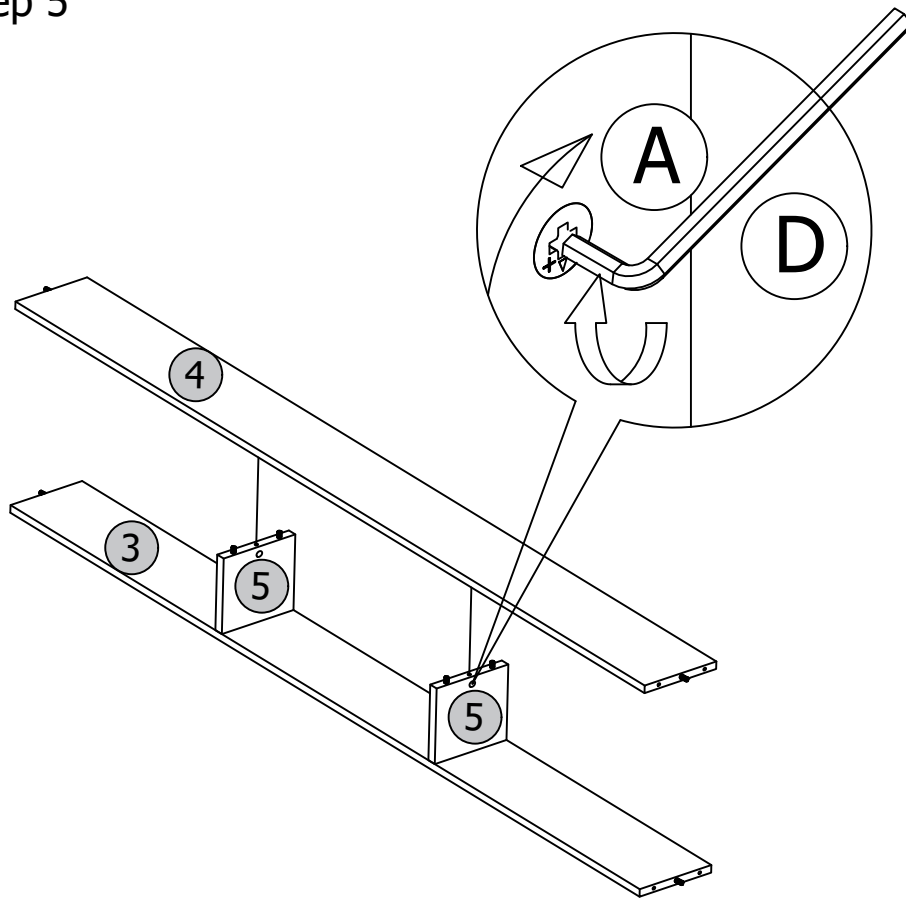
DO NOT USE POWER TOOLS AS THIS MAY DAMAGE THE FRAME AND WILL INVALIDATE ANY CLAIM.

Step 4

	
F	D
2 PCS	1 PC

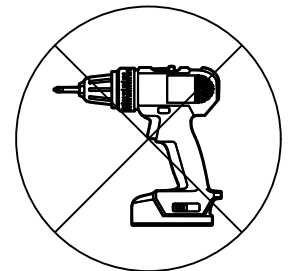


Step 5



WHEN FITTING CAMS
ENSURE STARTING POSITION IS CORRECT
BEFORE YOU INSERT CONNECTING BOLT
TURN CLOCKWISE UNTIL SECURE

CORRECT	WRONG



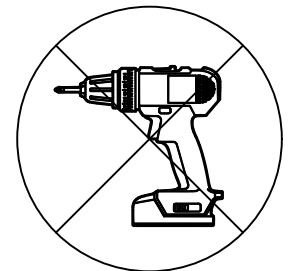
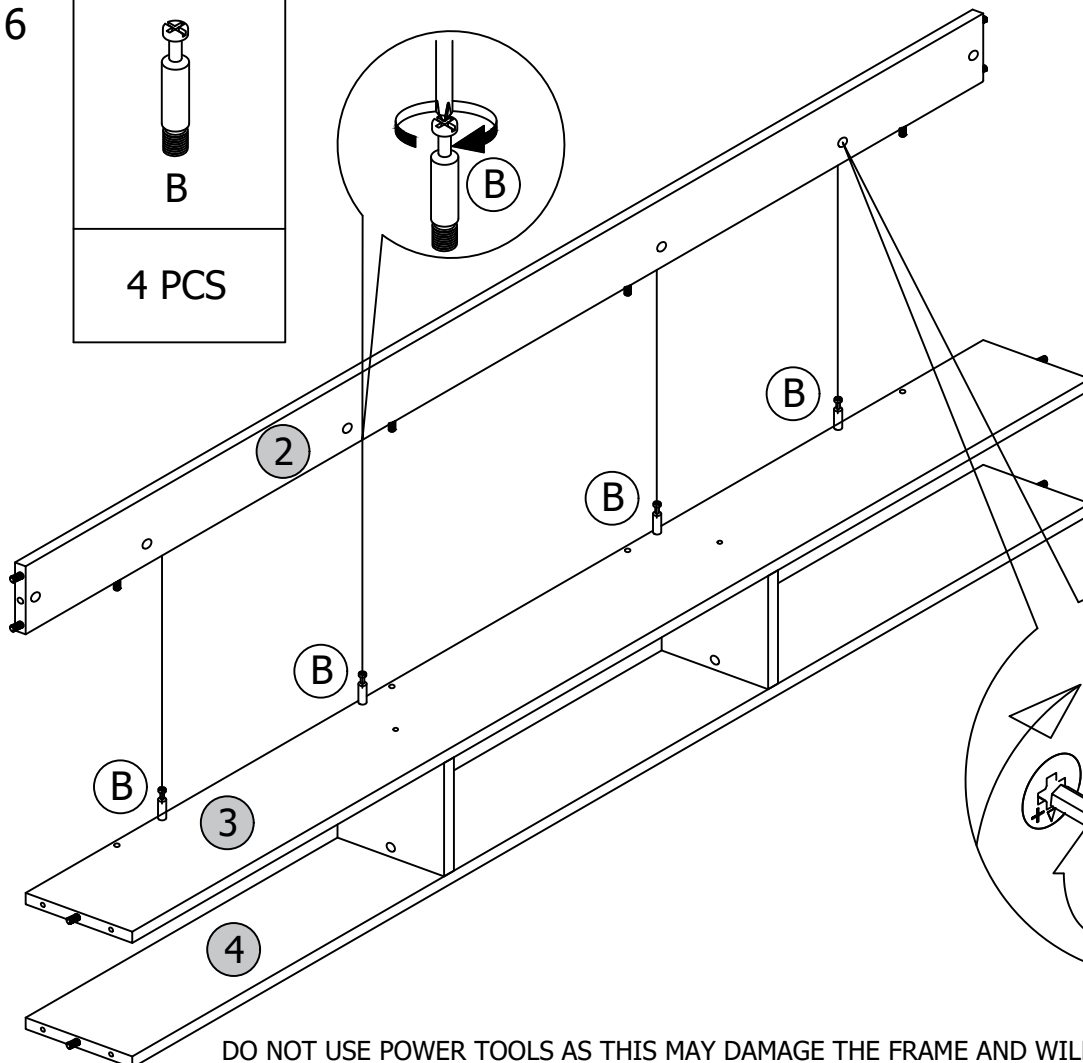
DO NOT USE POWER TOOLS

DO NOT USE POWER TOOLS AS THIS MAY DAMAGE THE FRAME AND WILL INVALIDATE ANY CLAIM.

Step 6

B

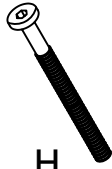
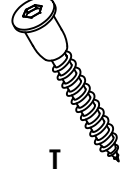
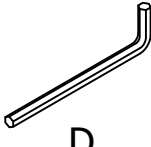
4 PCS






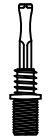

DO NOT USE POWER TOOLS

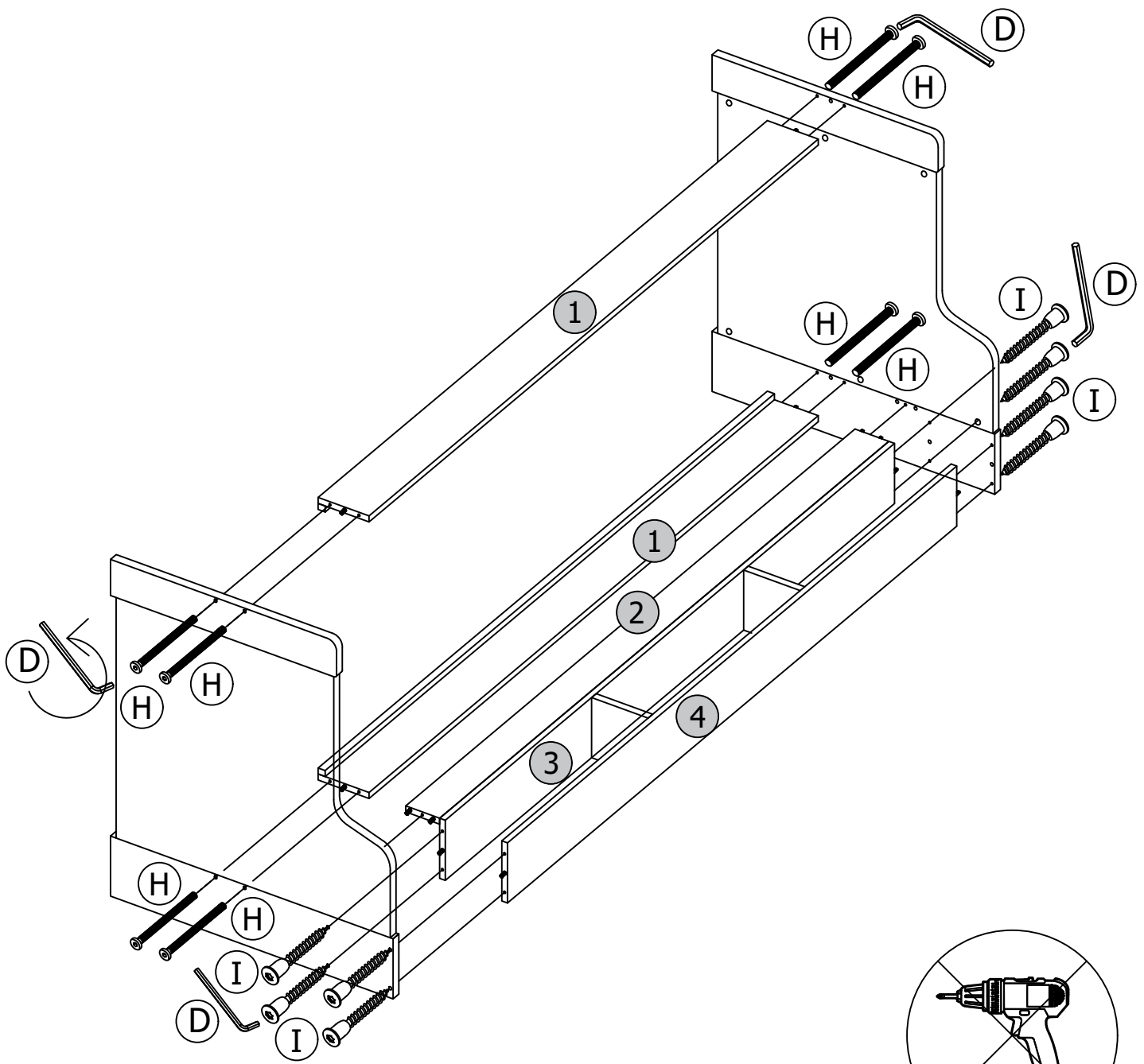
DO NOT USE POWER TOOLS AS THIS MAY DAMAGE THE FRAME AND WILL INVALIDATE ANY CLAIM.

Step 7

		
H	I	D
8 PCS	8 PCS	1 PC

WHEN FITTING CAMS
ENSURE STARTING POSITION IS CORRECT
BEFORE YOU INSERT CONNECTING BOLT
TURN CLOCKWISE UNTIL SECURE

CORRECT 	WRONG 	
		









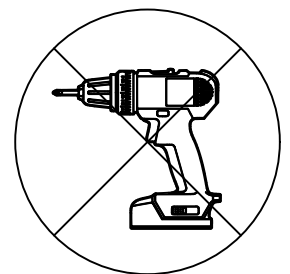
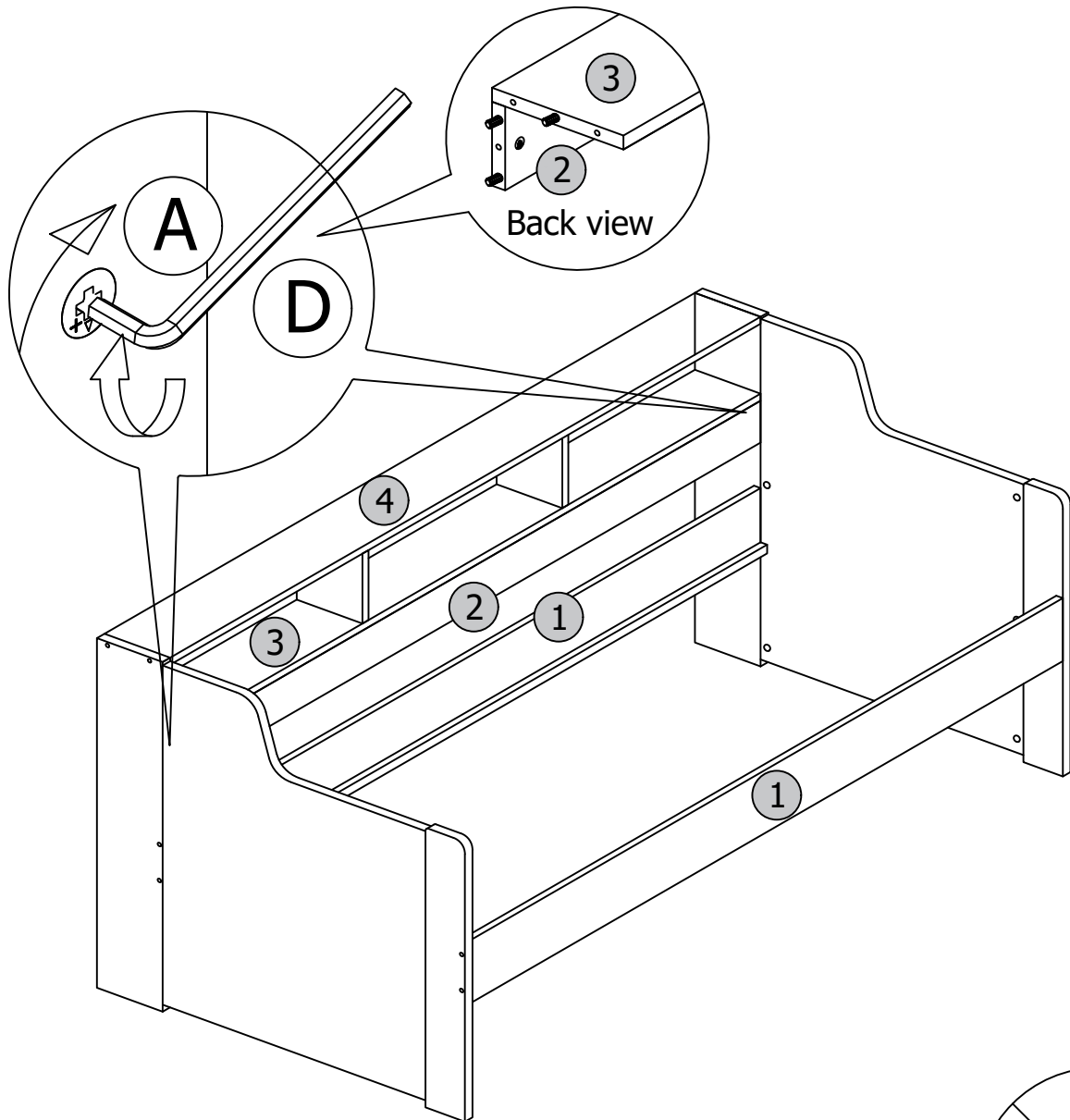
DO NOT USE POWER TOOLS

DO NOT USE POWER TOOLS AS THIS MAY DAMAGE THE FRAME AND WILL INVALIDATE ANY CLAIM.

Step 8

WHEN FITTING CAMS
ENSURE STARTING POSITION IS CORRECT
BEFORE YOU INSERT CONNECTING BOLT
TURN CLOCKWISE UNTIL SECURE


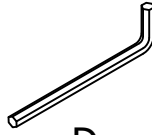
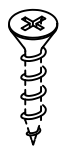
CORRECT	WRONG	
		
		

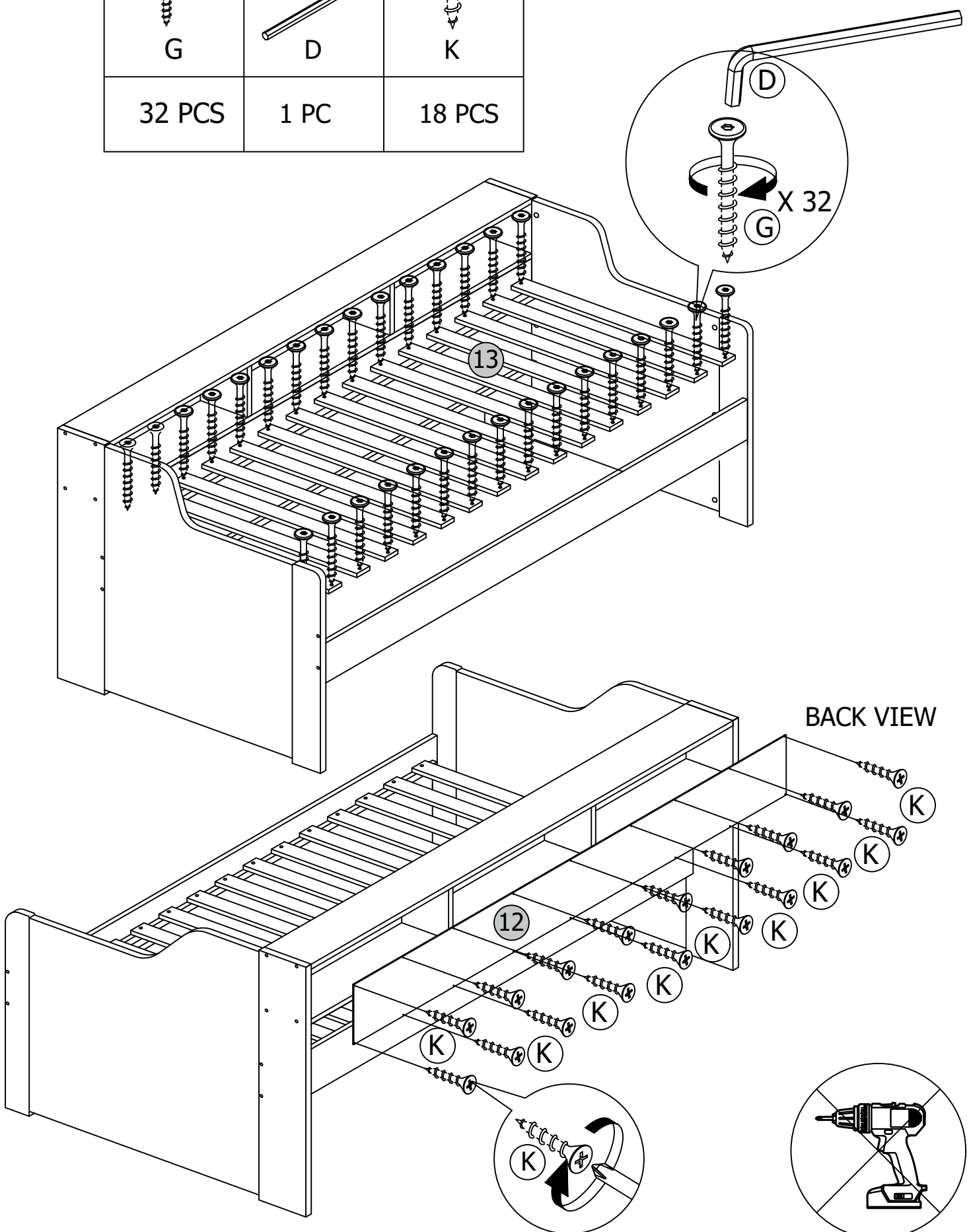


DO NOT USE POWER TOOLS

DO NOT USE POWER TOOLS AS THIS MAY DAMAGE THE FRAME AND WILL INVALIDATE ANY CLAIM.

Step 9

		
G	D	K
32 PCS	1 PC	18 PCS




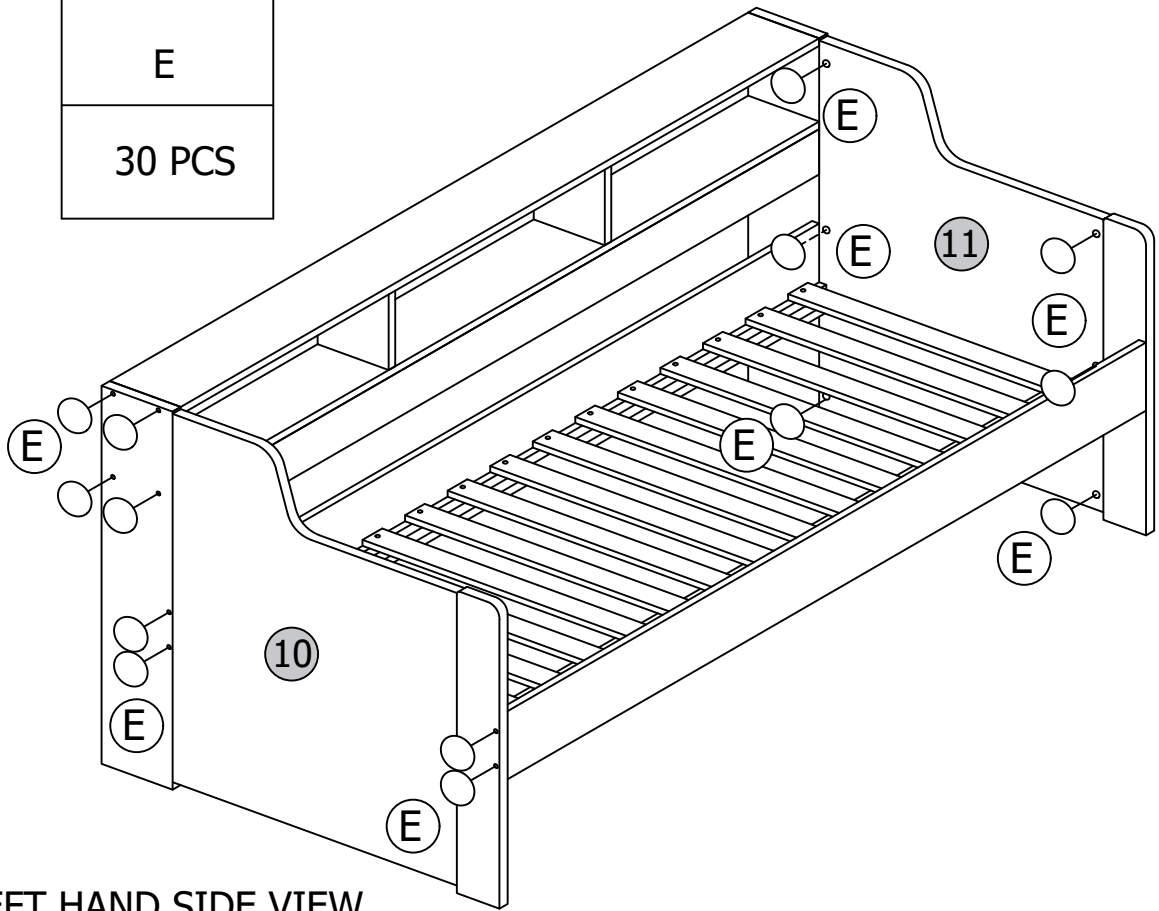
BACK VIEW

DO NOT USE POWER TOOLS

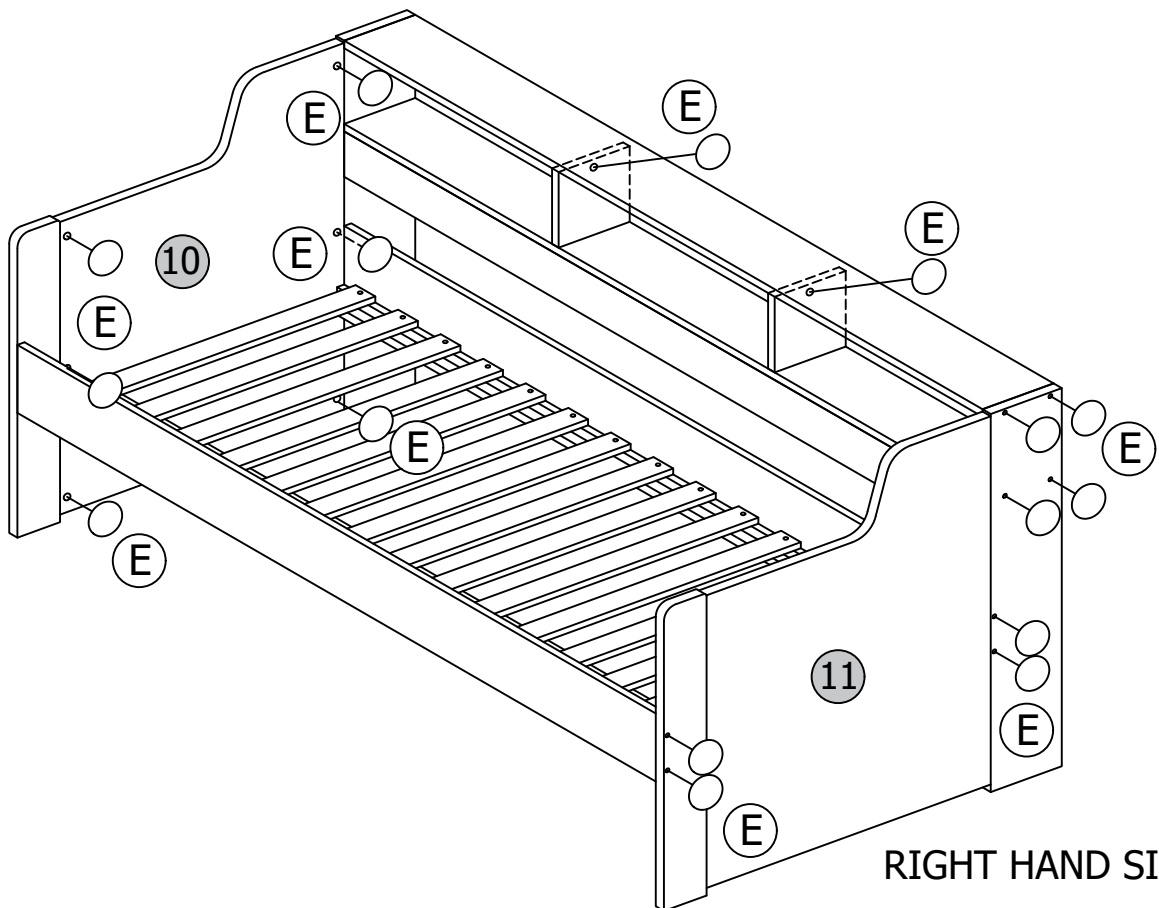
DO NOT USE POWER TOOLS AS THIS MAY DAMAGE THE FRAME AND WILL INVALIDATE ANY CLAIM.

Step 10

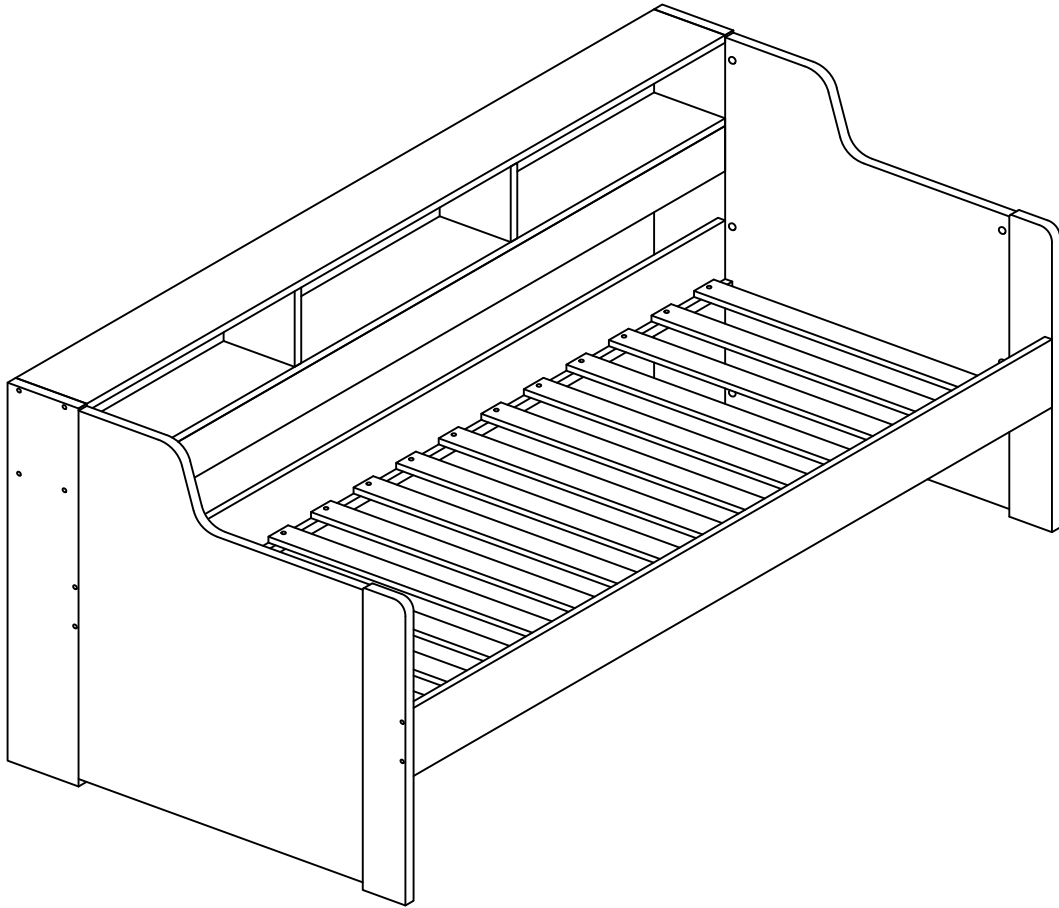

E
30 PCS



LEFT HAND SIDE VIEW



RIGHT HAND SIDE VIEW



YOUR TYLER DAY BED IS NOW READY FOR USE.

Please dispose of all packaging safely.

General Care & Maintenance

Wipe clean with a slightly damp cloth.
Avoid the use of all household cleaners and abrasives.

Periodically check all screw & fixings to ensure they are secure.

When moving your product, carefully lift into place. Never drag or push the product across the floor as this will cause damage to the joints. If the product is used on hard flooring, such as wood or laminated floor, you must place some protection under the legs to stop the product from moving. If this is not adhered to, it could result in failure to the product that will invalidate the warranty.

For more information on cleaning and product care visit:
<https://www.happybeds.co.uk/help-and-advice>

Notes

In the unlikely event that you have problems putting this product together or have damaged or missing parts, please contact us by visiting:
<https://www.happybeds.co.uk/customer-service>