

## Assembly Instructions

### Important before assembly:

Read these instructions carefully before assembling or using the product.

Please check the contents of the boxes before attempting to assemble this product. The instructions will have a checklist of parts and fittings.

Assemble the product as close to its intended final location/room as possible.

### Health & Safety:

This product or some parts of this product will be heavy. Please use an assistant when lifting.

Please keep small parts out of reach of children.

Always use on a level, even surface.

DO NOT jump on the product or any of its parts.

DO NOT use this product if any parts are missing, damaged or worn.

DO NOT use this product unless all fixings are secured.

**Further instructions are on the following pages.**

Please keep these instructions for future reference.



This product or some parts of this product will be heavy. Please use an assistant when lifting.



Never drag or push the pieces across a hard or stone floor as this will cause damage to the joints. Use a carpet or a rug for extra care.



If you have problems assembling or have damaged or missing pieces, please contact our customer services (details at the back of these instructions)



## Important for Ottoman and other gas lift beds

### Note:

The bed base is in the upright position when first assembled as the gas lifts are fully extended during shipment for safety. After assembly a firm downward push will be required to overcome any resistance in the gas lifts as these may initially stick. We suggest placing a mattress on top of the bed base to aid this and also test the operation of your new lift up bed by lifting and pushing down the bed base a few times to allow the lifting mechanism to bed in.

The lift mechanism provides assistance with the lift of the mattress fitted to the base. It does not lift the mattress for you. The system has been designed to effectively lift the base system fitted with a variety of mattress weights and combinations of depths. Depending on the combination of the mattress weight and depth determines the degree of assistance provided by the mechanism.

Following the installation of the mechanism lift, pull the base up and down a few times to free off the system. The gas cylinders fitted to the system may be stiff when first used or if the system has not been operated for a period of time.

Use the strap handles to lift up the mattress base using two hands. Pull the mattress base down using two hands equally spaced from the centre of the mattress base. DO NOT pull down on one side of the base only as this is likely to damage the base system with potential failure of the mattress base system and lift mechanism.

Do NOT operate the lift up mechanism without the mattress placed on the base.

### Caution:

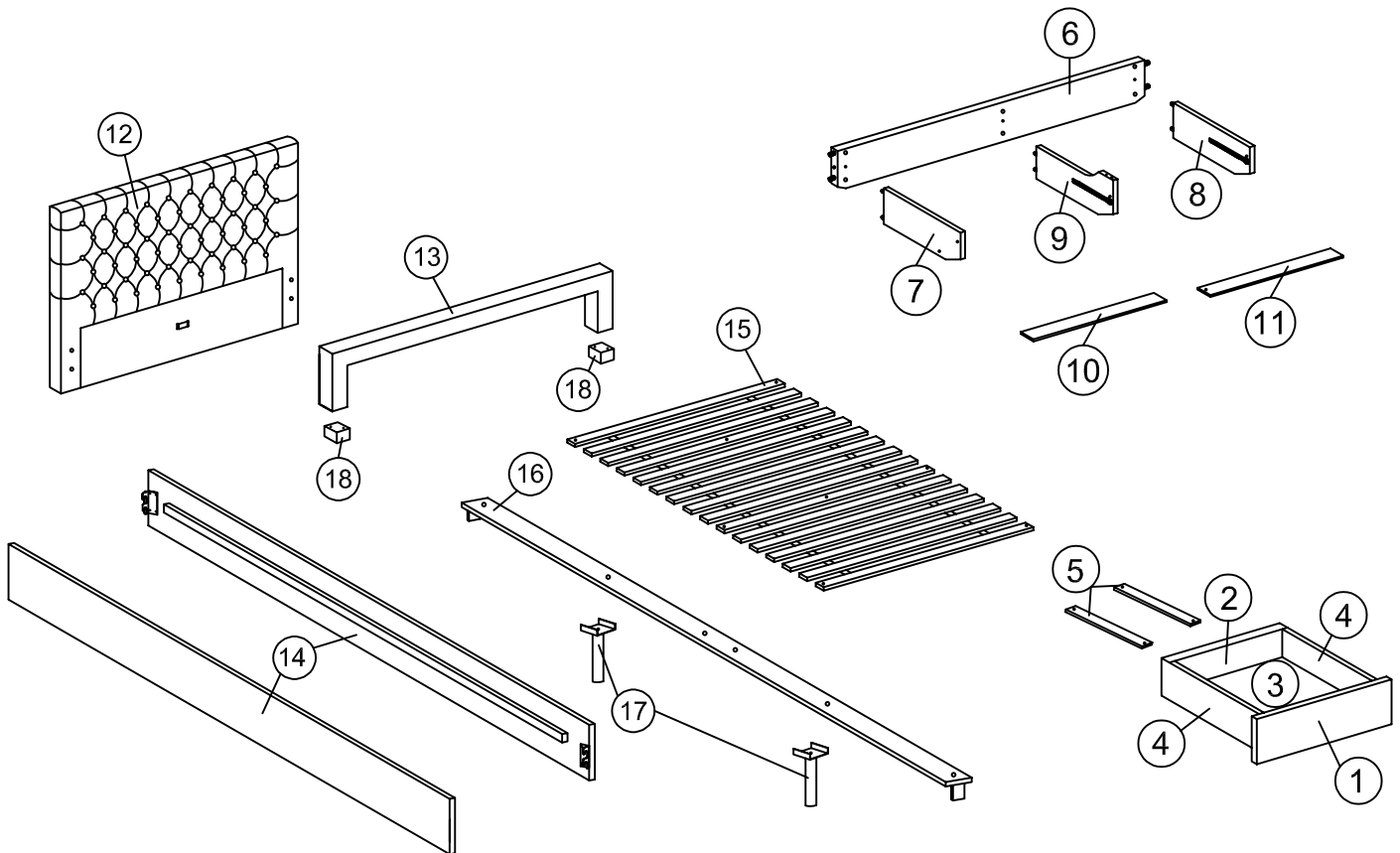
Do NOT allow children to operate the lift mechanism.  
Do NOT allow children near the lift base when operating the mechanism.  
Do NOT allow children in the area of the internal storage base.  
Keep hands clear of the mechanism when operating the base system.  
Do NOT stand inside the bed or the internal storage base.  
Do NOT overload the internal storage base.

# PARTS LIST

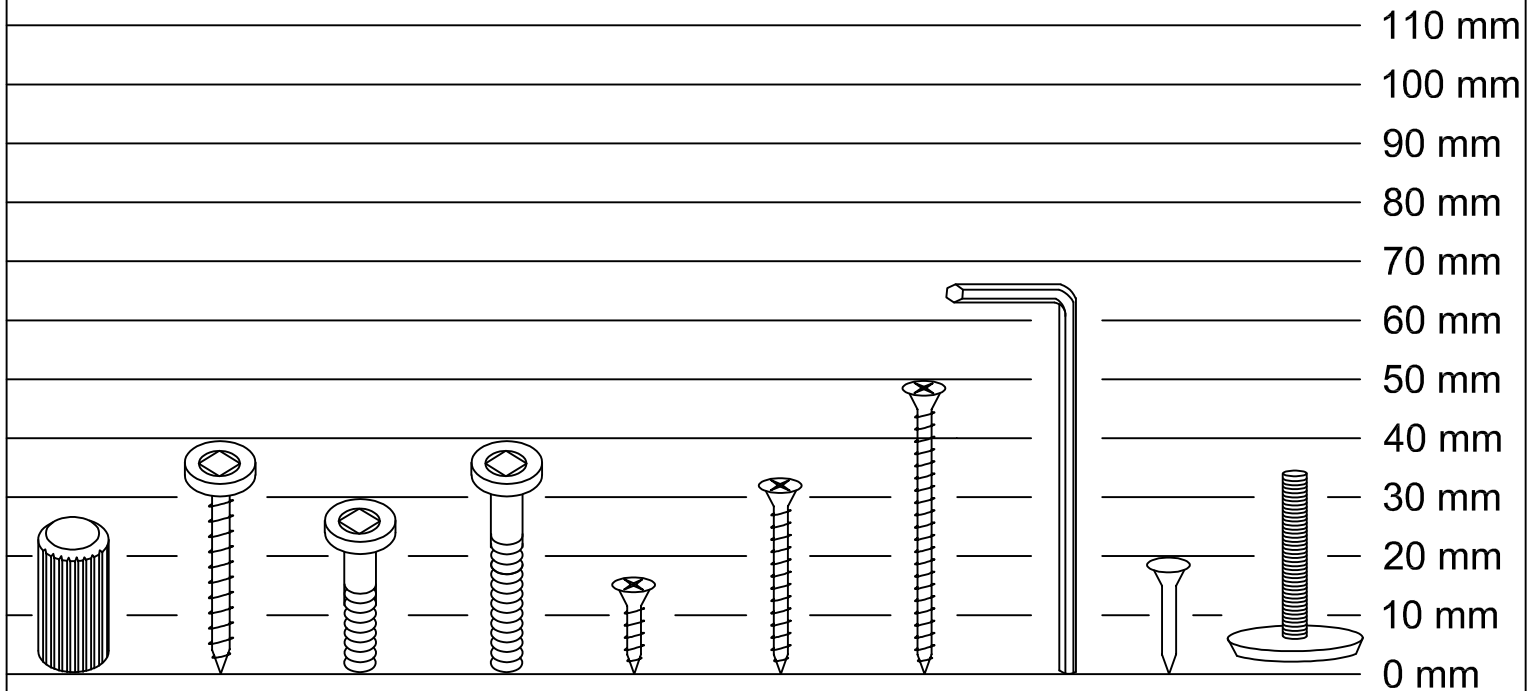
**NO. PART QTY**

CARTON 1 CONSIST OF PART : 12  
 CARTON 2 CONSIST OF PART : 1,13,14,15,16  
 CARTON 3 CONSIST OF PART : 2,3,4,5,6,7,8,9,10  
 11,17,18

1	DRAWER FRONT PANEL	2
2	DRAWER BACK PANEL	2
3	DRAWER BOTTOM PANEL	2
4	DRAWER SIDE PANEL	4
5	DRAWER BOTTOM PANEL SUPPORT	4
6	DRAWER FRAME	1
7	DRAWER FRAME DIVIDER 1	1
8	DRAWER FRAME DIVIDER 2	1
9	DRAWER CENTER DIVIDER	1
10	DRAWER FRAME SUPPORT 1	1
11	DRAWER FRAME SUPPORT 2	1
12	HEADBOARD	1
13	FOOTBOARD	1
14	SIDE RAIL	2
15	SLAT (16PCS)	1
16	CENTER RAIL	1
17	SUPPORT LEG	2
18	FOOTBOARD LEG	2



# HARDWARE LIST



<b>15x</b>	<b>6x</b>	<b>8x</b>	<b>7x</b>	<b>24x</b>	<b>42x</b>	<b>20x</b>	<b>1x</b>	<b>24x</b>	<b>2x</b>
8x25	M6x40	M6x30	M6x40	M4x16	M4x32	M4x50	M4	35mm	35mm
<b>A</b>	<b>B</b>	<b>C</b>	<b>D</b>	<b>E</b>	<b>F</b>	<b>G</b>	<b>H</b>	<b>I</b>	<b>J</b>
Dowel	Screw	Bolt	Bolt	Screw	Screw	Screw	Allen key 65	Power Nail	Adjuster



**10x**  
M6x2mm  
**K**  
Flat  
Washer



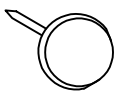
**4x**  
**L**  
Mini Fix  
Bolt



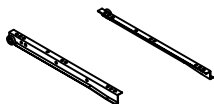
**4x**  
**M**  
Mini Fix  
Housing



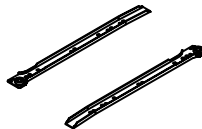
**4x**  
**N**  
Mini Fix  
Cap



**9x**  
**O**  
White Nail  
Leg

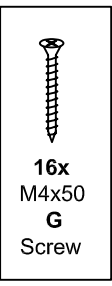
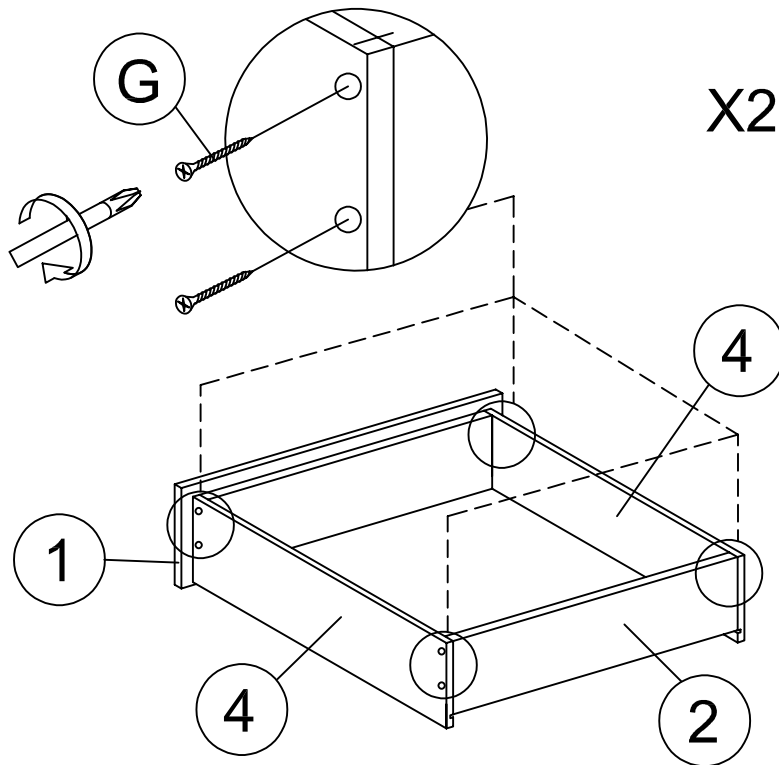


**4x**  
500mm  
**P**  
Drawer Slide  
1

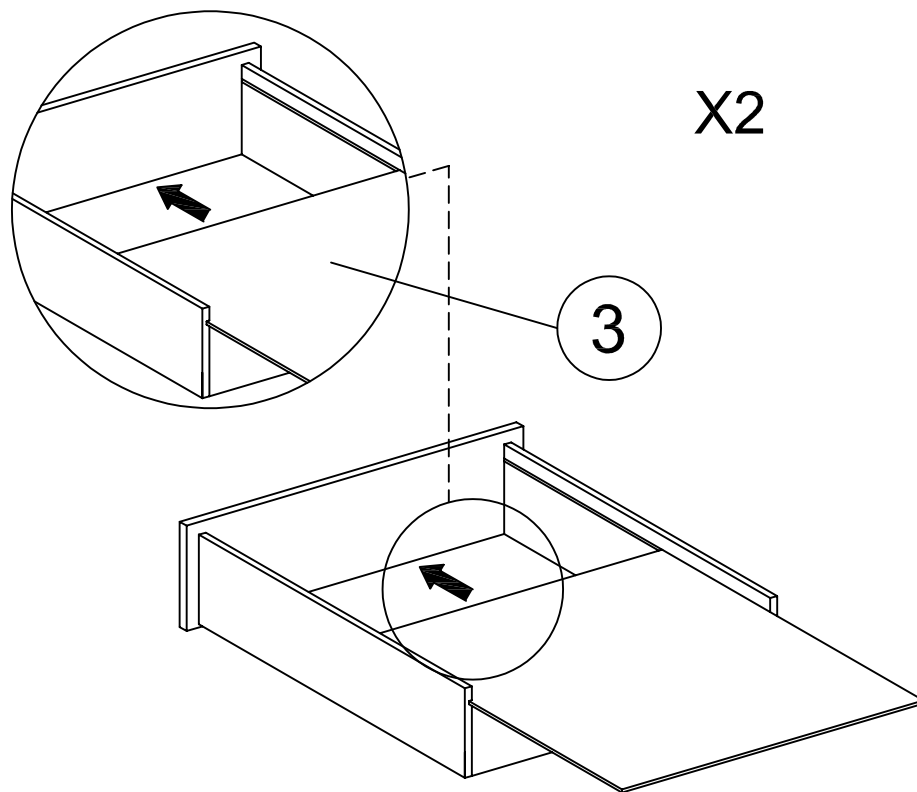


**4x**  
500mm  
**Q**  
Drawer Slide  
2

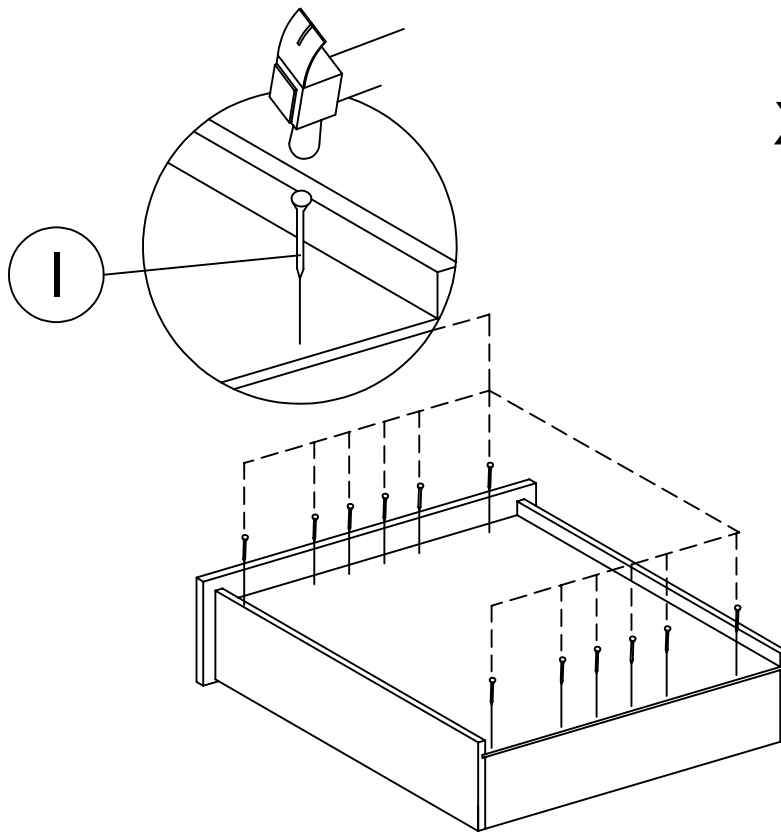
# Step 1



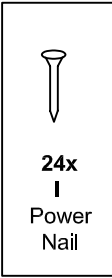
# Step 2



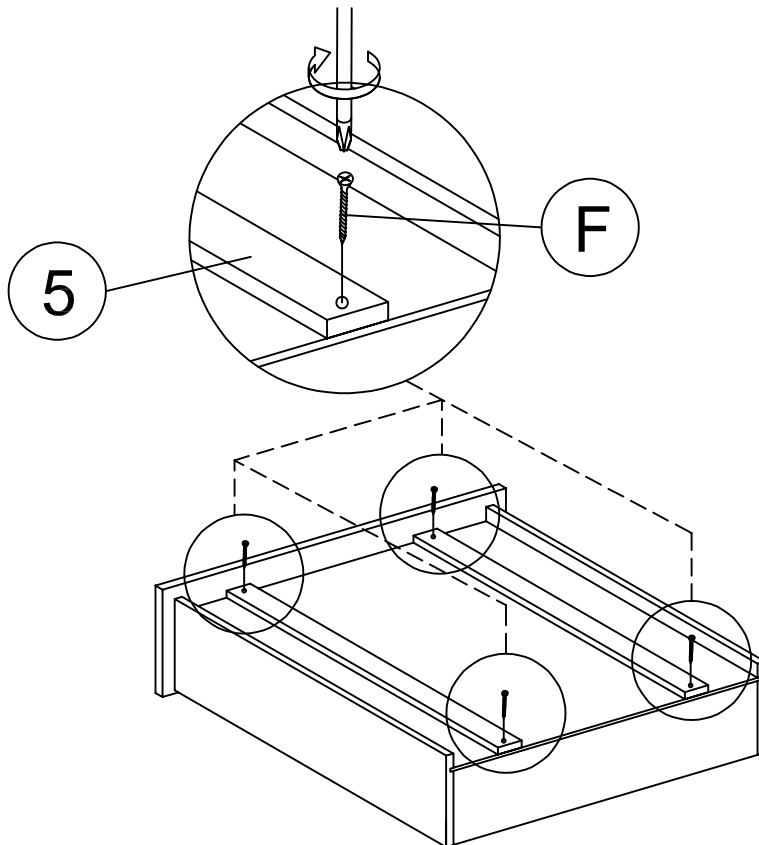
# Step 3



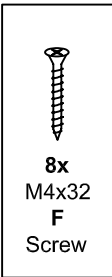
X2



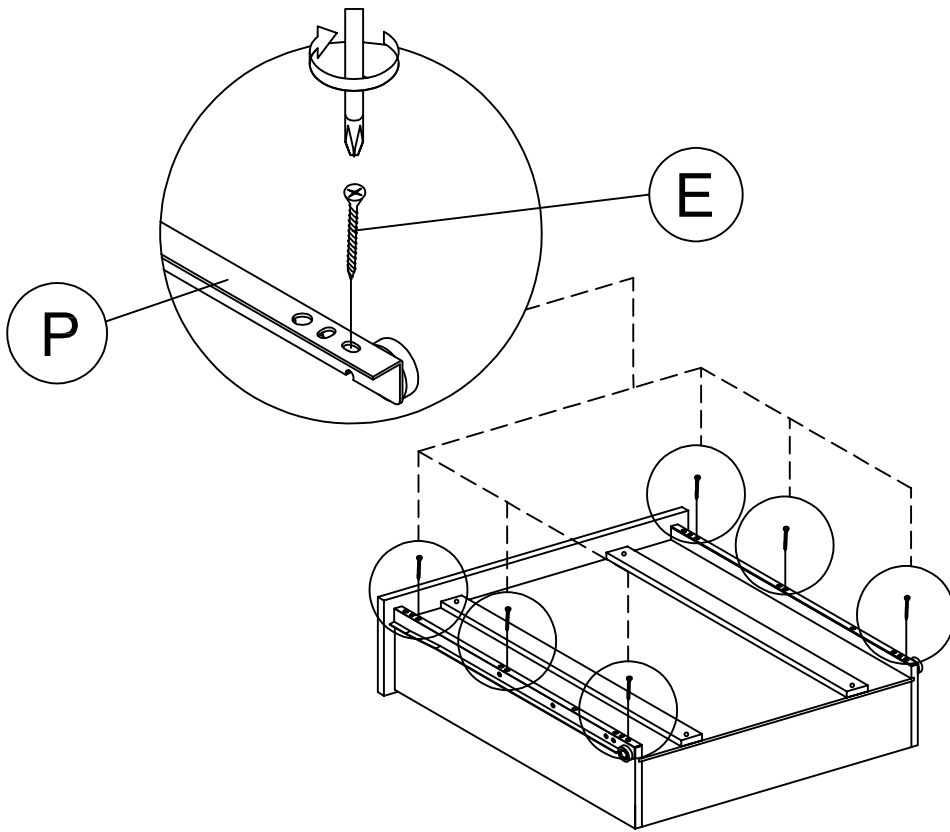
# Step 4




X2



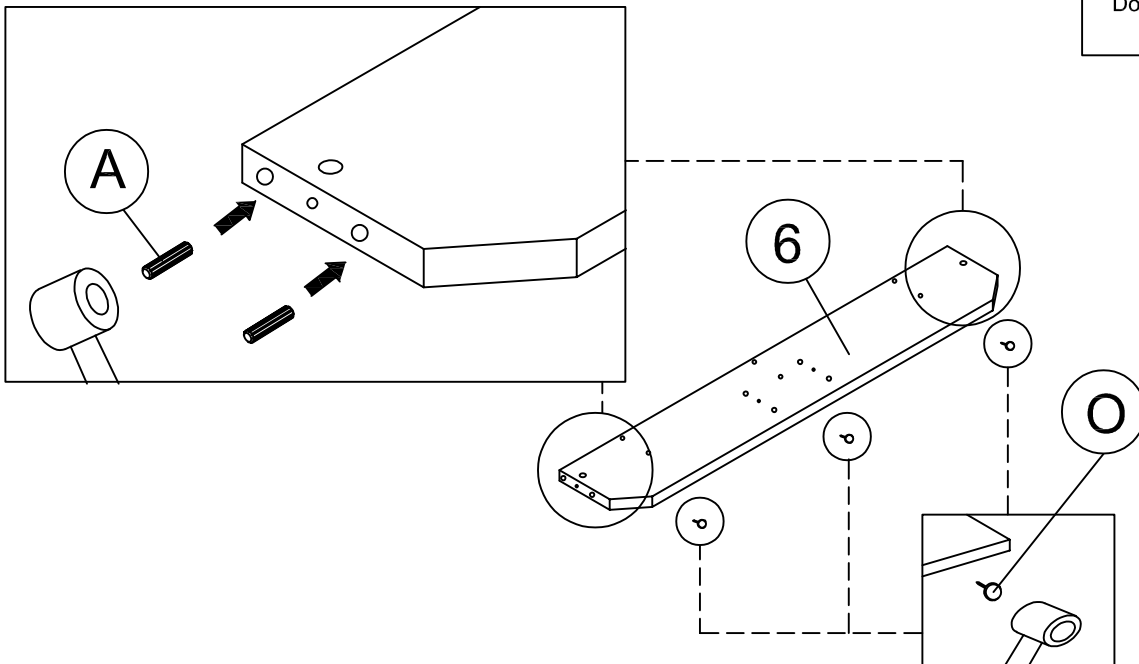
# Step 5





  
12x  
M4x16  
E  
Screw

X2

# Step 6






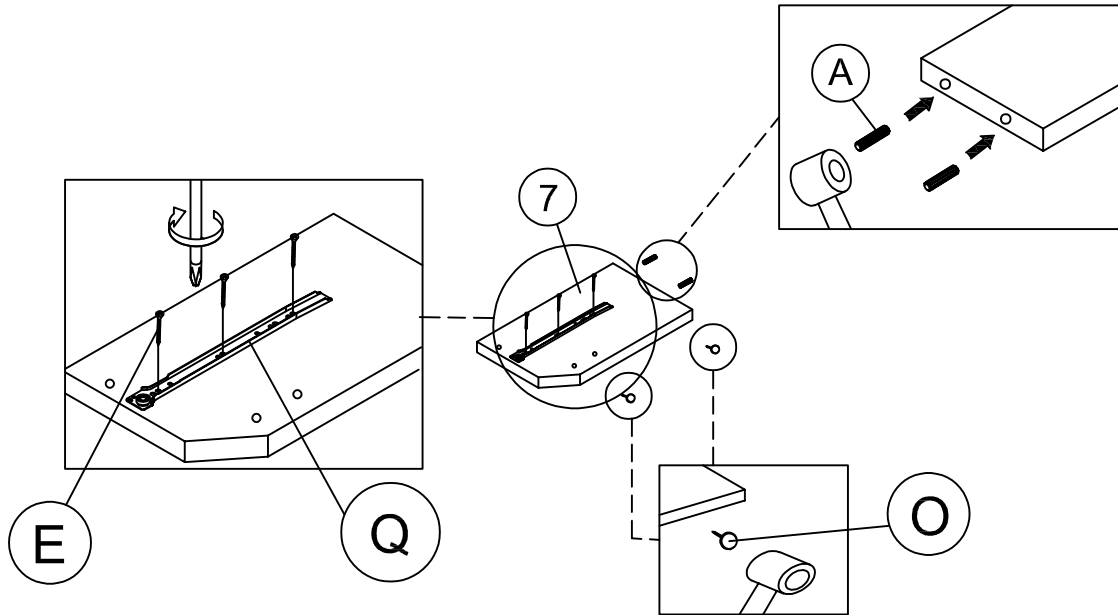
 4x  
8x25  
A  
Dowel

 3x  
O  
White Nail  
Leg






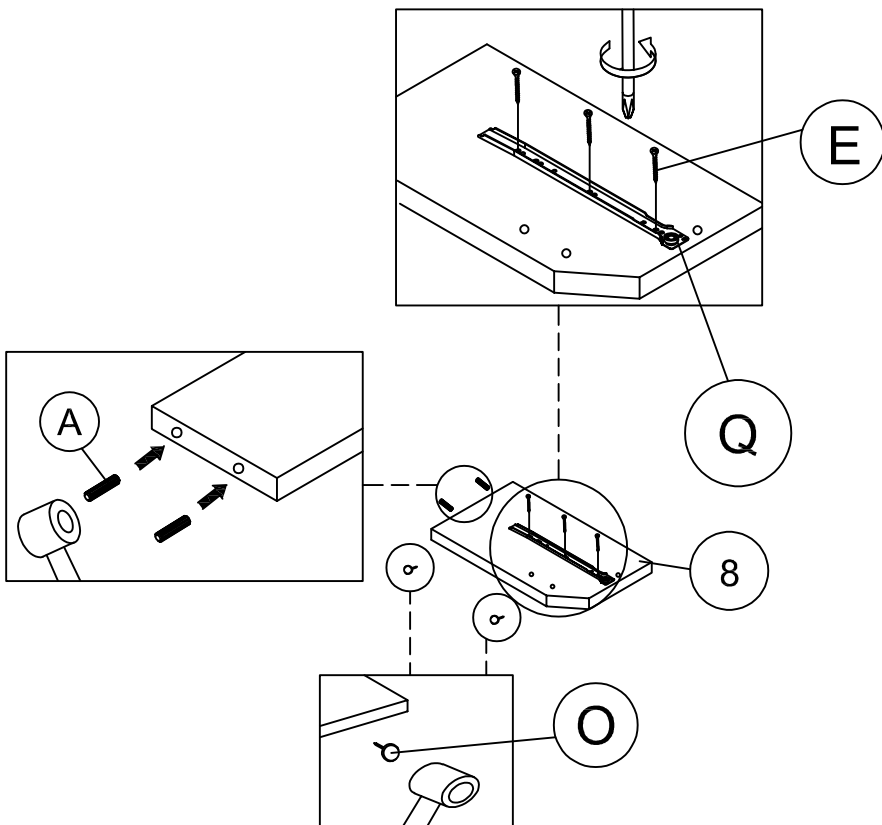
# Step 7

		
2x 8x25 A Dowel	3x M4x16 E Screw	2x O White Nail Leg






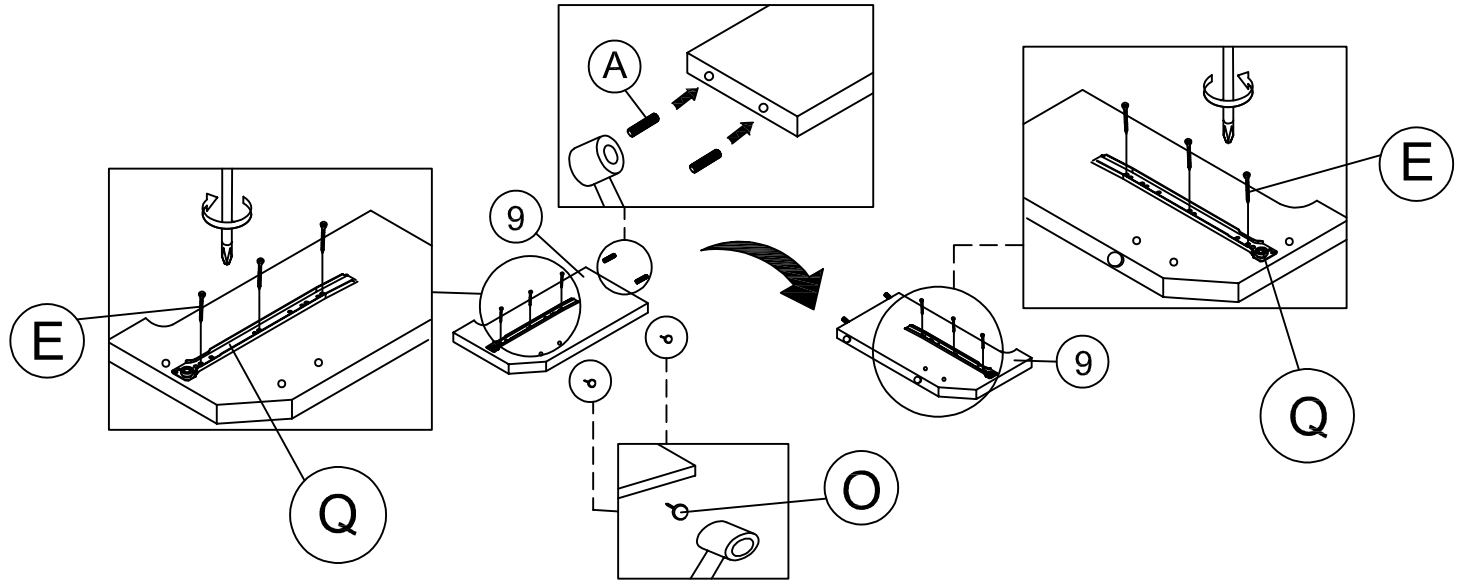
# Step 8

		
2x 8x25 A Dowel	3x M4x16 E Screw	2x O White Nail Leg




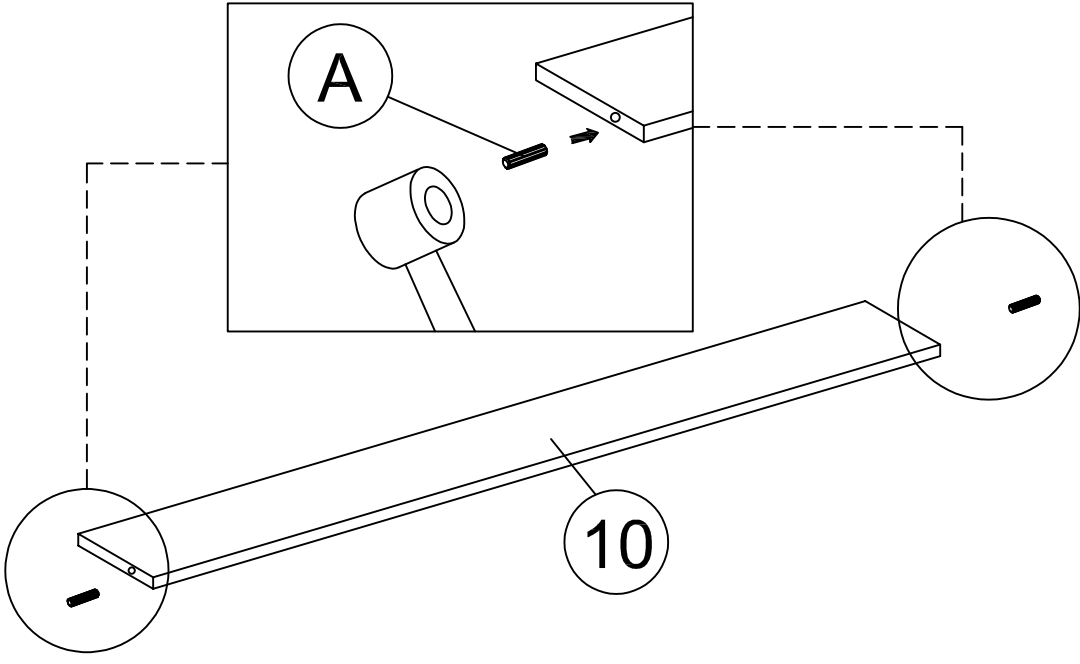
# Step 9

- |   |   |   |
|---|---|---|
|  |  |  |
| 2x<br>8x25<br>A<br>Dowel  | 6x<br>M4x16<br>E<br>Screw   | 2x<br>O<br>White Nail<br>Leg  |



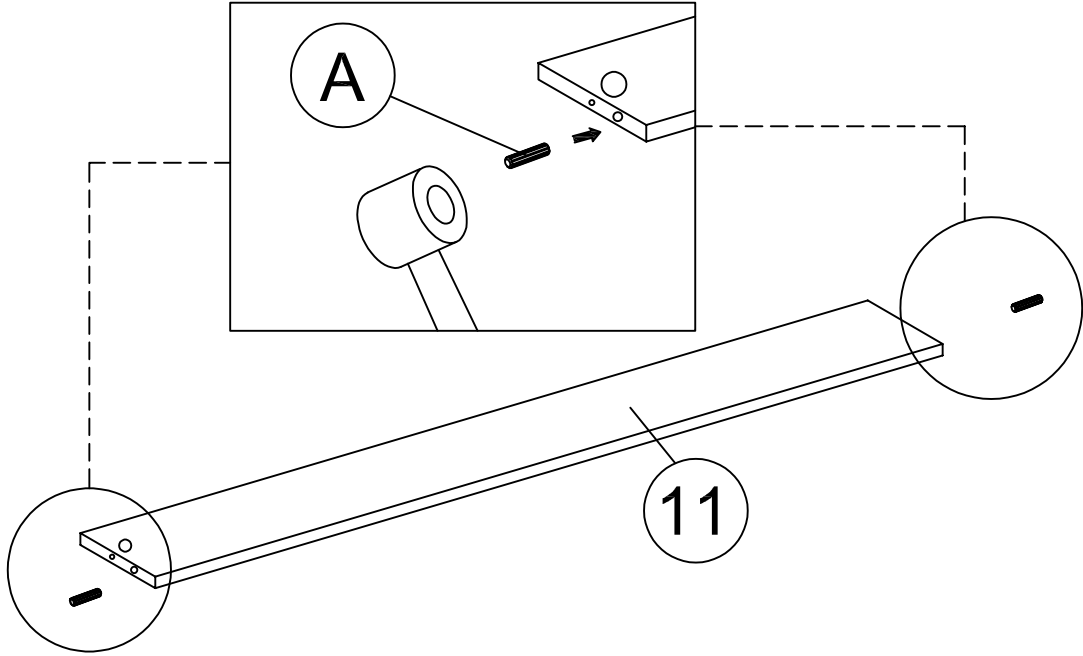
# Step 10

- |   |
|---|
|  |
| 2x<br>8x25<br>A<br>Dowel  |

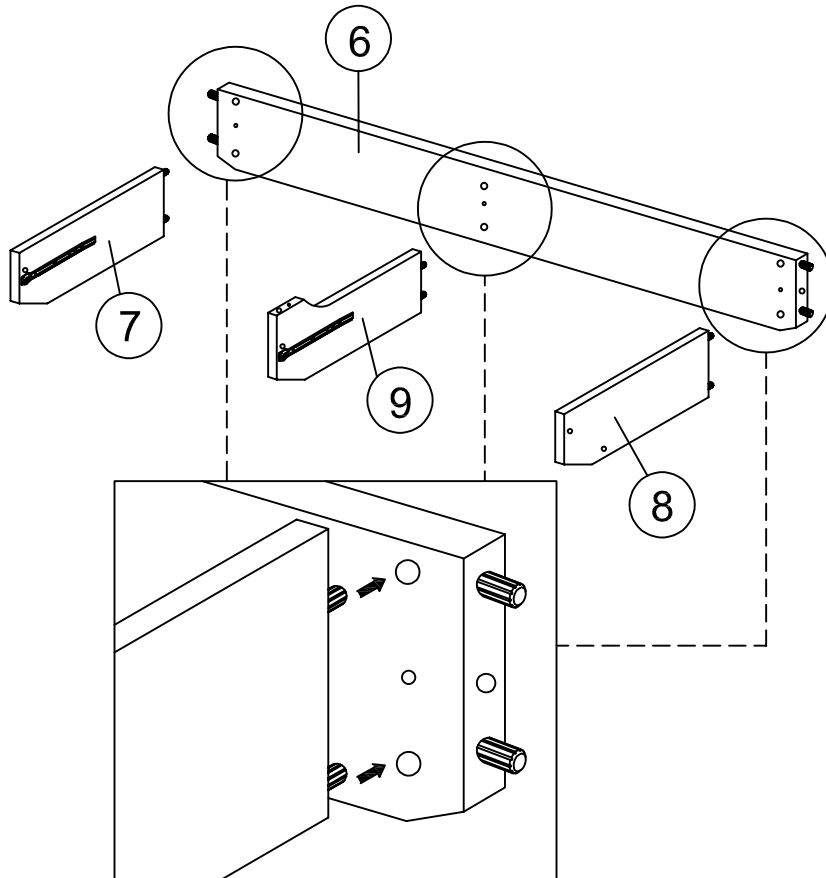


# Step 11

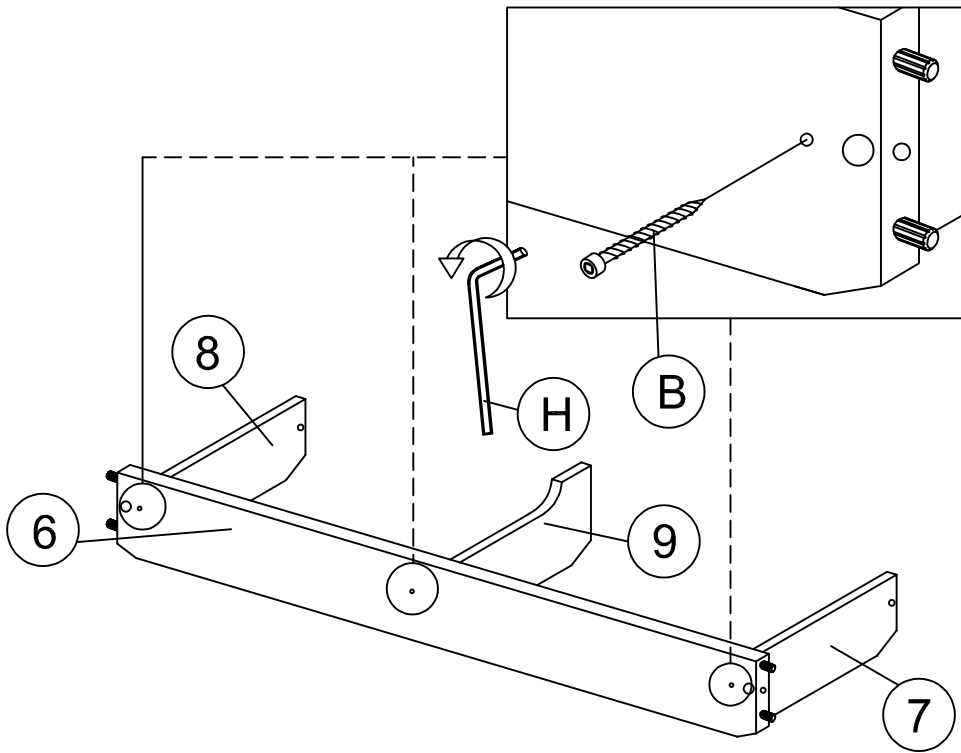
2x  
8x25  
A  
Dowel





# Step 12

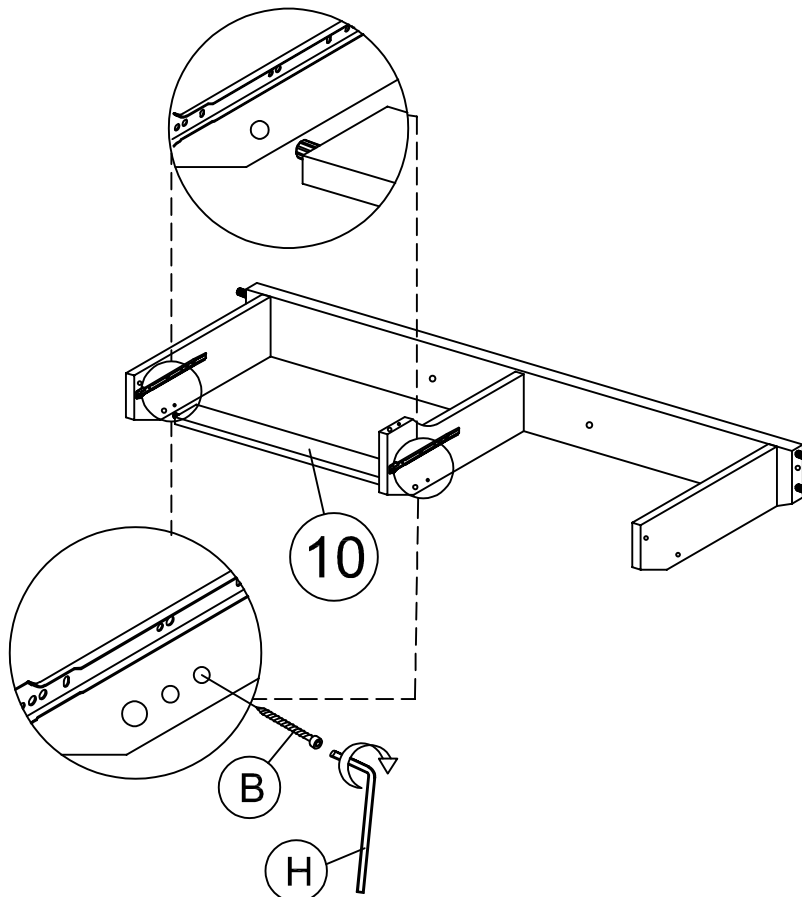




# Step 13








- |   |   |
|---|---|
|  |  |
| 3x<br>M6x40<br>B<br>Screw   | 1x<br>M4x65<br>H<br>Allen<br>key  |

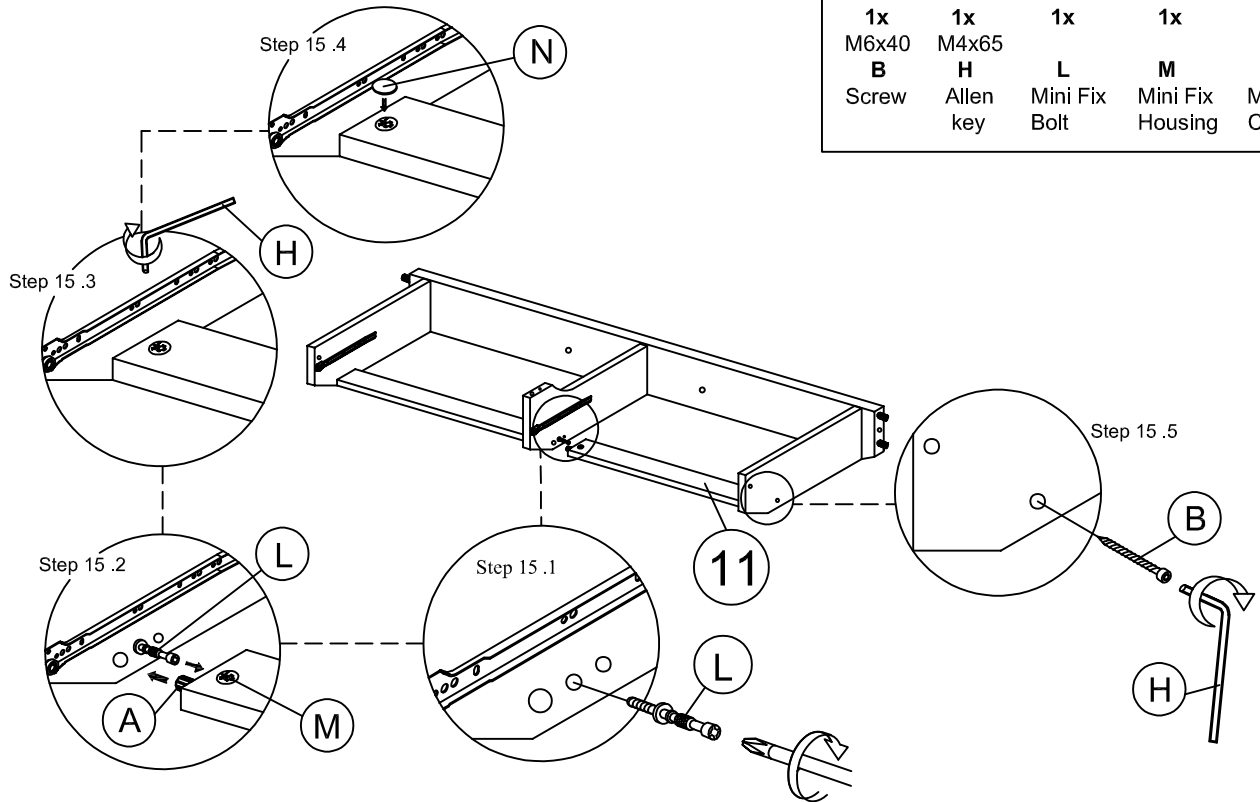
# Step 14






- |   |   |
|---|---|
|  |  |
| 1x<br>M6x40<br>B<br>Screw   | 1x<br>M4x65<br>H<br>Allen<br>key  |

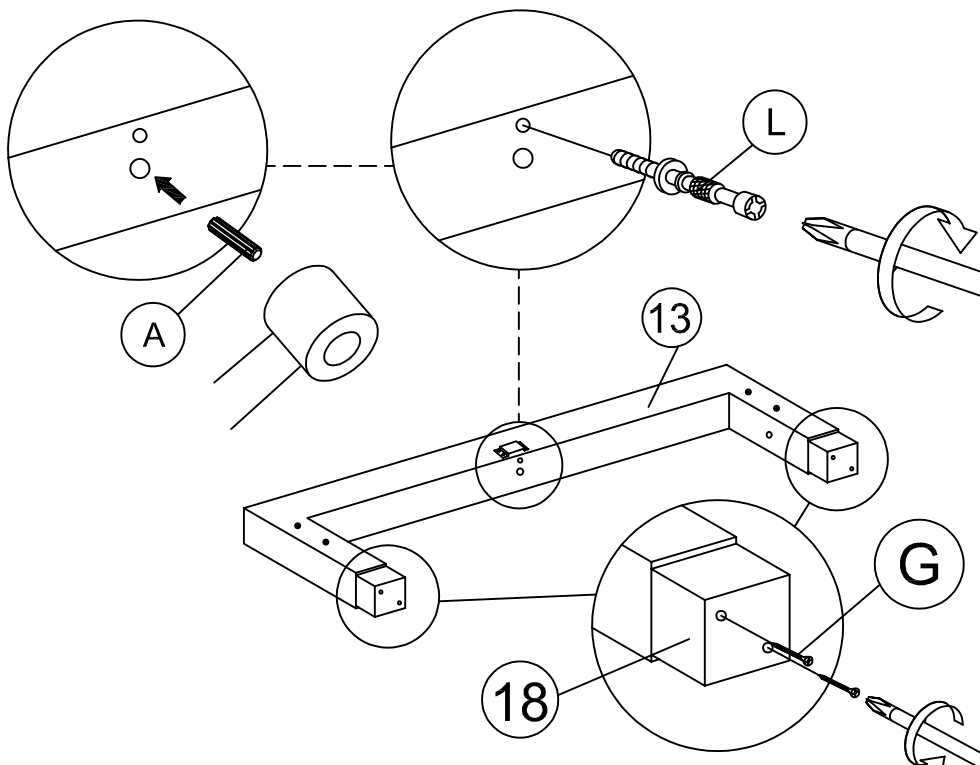
# Step 15

				
1x M6x40 <b>B</b> Screw	1x M4x65 <b>H</b> Allen key	1x <b>L</b> Mini Fix Bolt	1x <b>M</b> Mini Fix Housing	1x <b>N</b> Mini Fix Cap


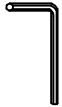





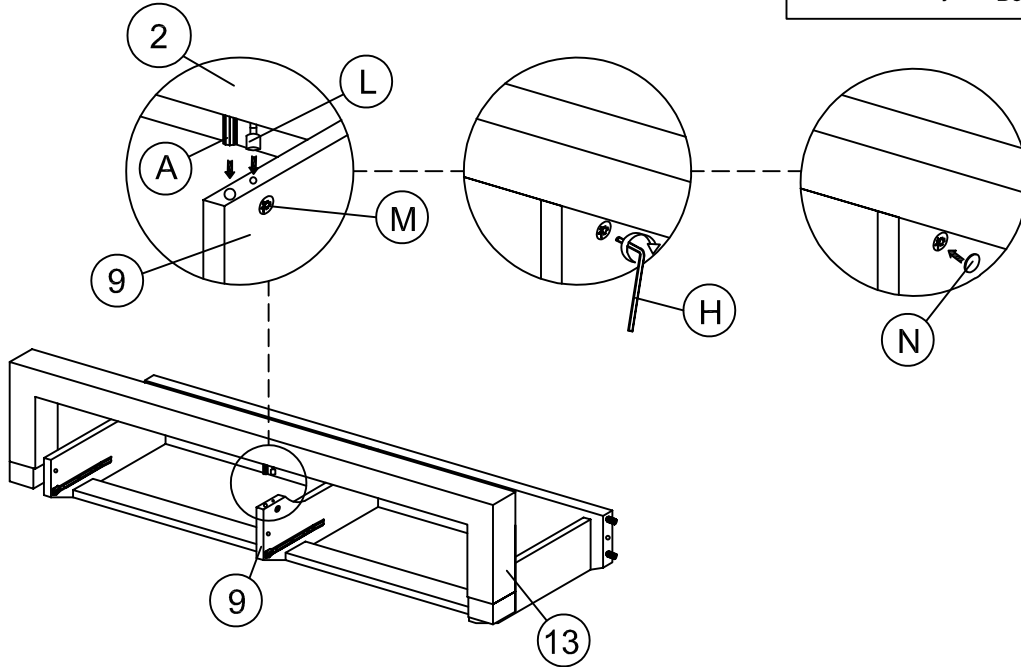
# Step 16

		
1x 8x25 <b>A</b> Dowel	1x <b>L</b> Mini Fix Bolt	4x M4x50 <b>G</b> Screw

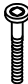





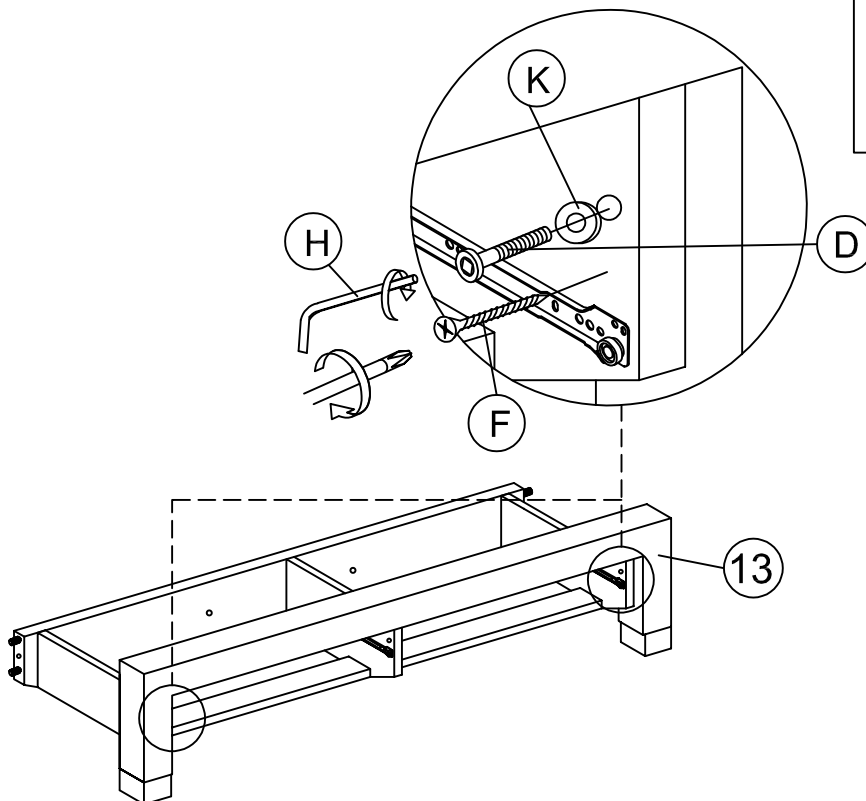
# Step 17

				
1x 8x25 A Dowel	1x M4x65 H Allen key	1x L Mini Fix Bolt	1x M Mini Fix Housing	1x N Mini Fix Cap


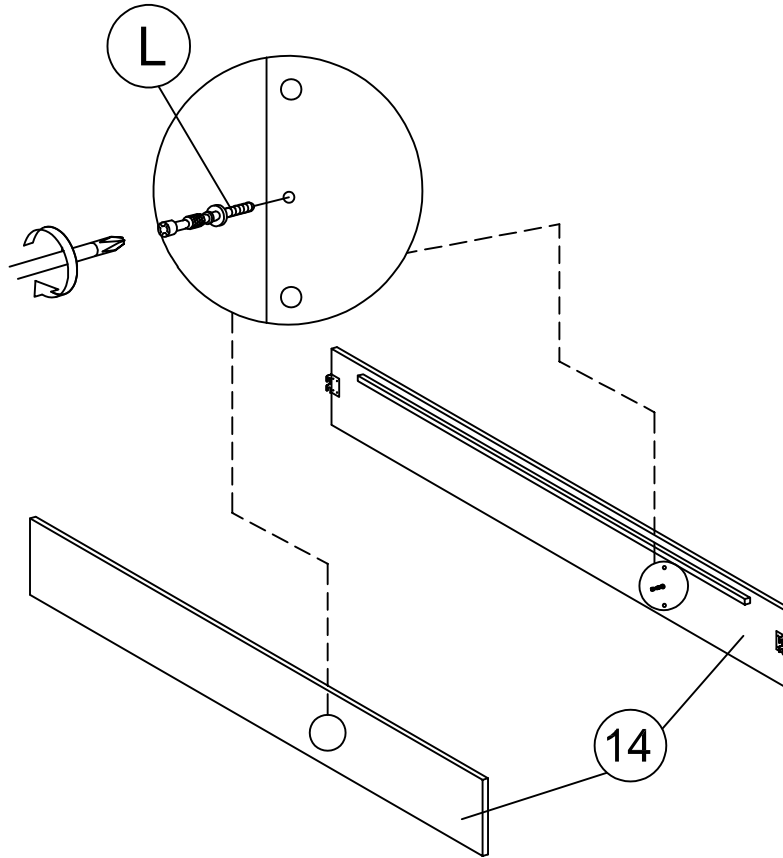


# Step 18

			
2x M6x40 D Bolt	1x M4x65 H Allen key	2x M6x2 K Flat Washer	2x M4x32 F Screw


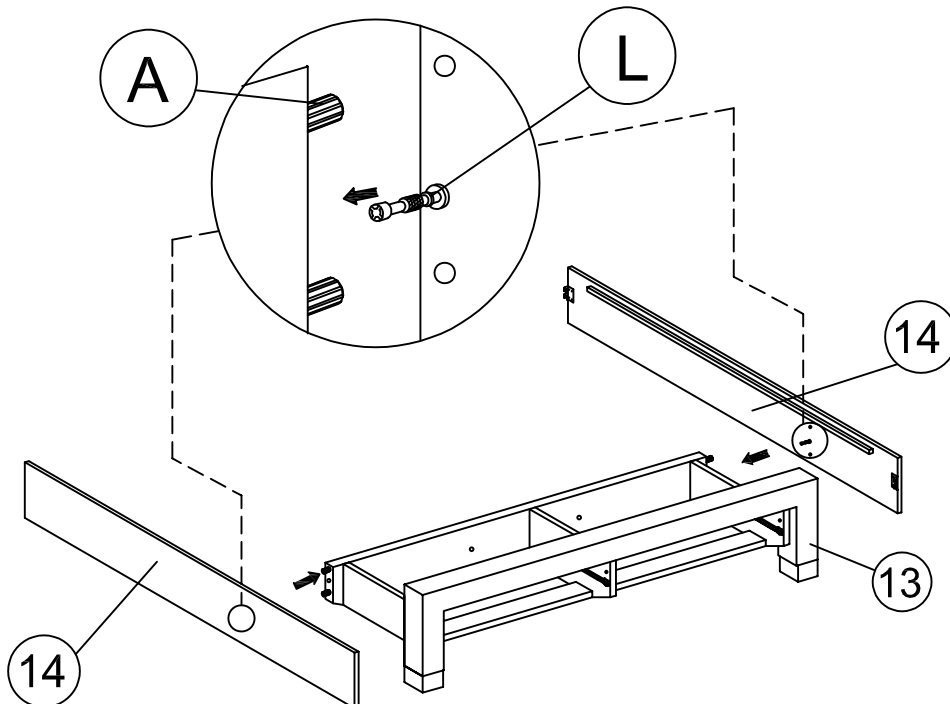


# Step 19



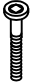




2x  
L  
Mini Fix  
Bolt

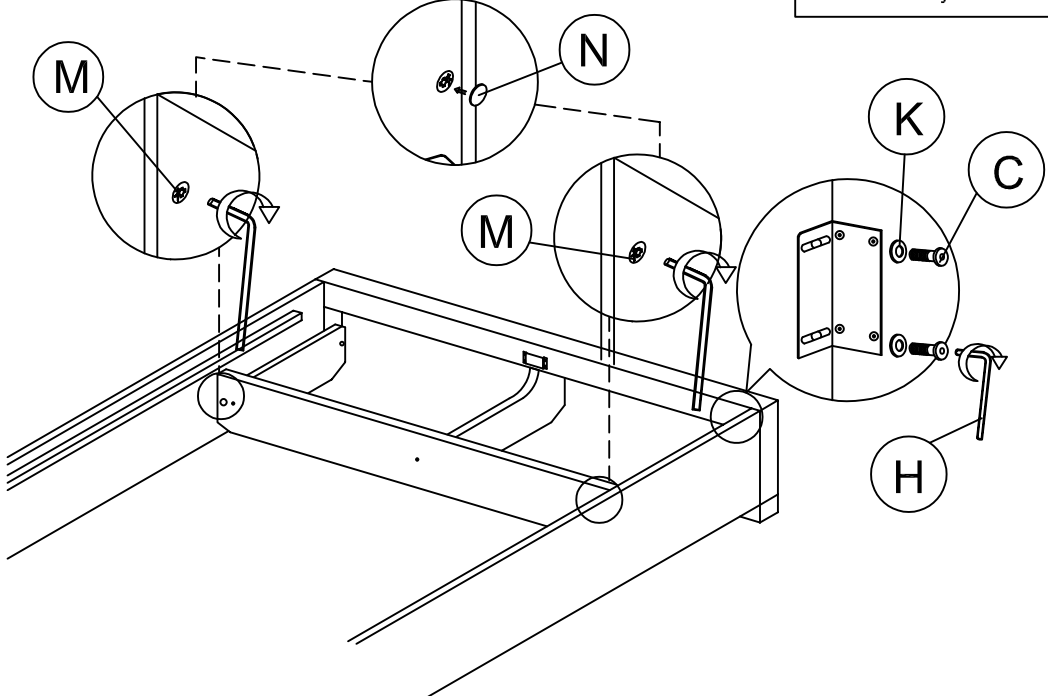
# Step 20



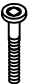


4x  
8x25  
A  
Dowel

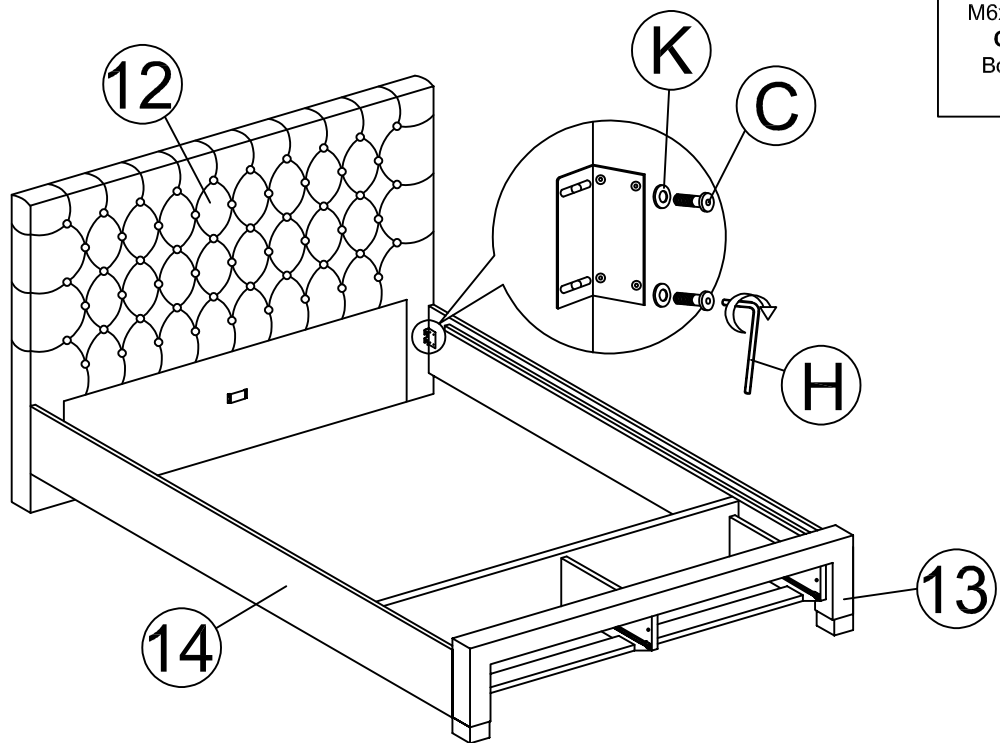
# Step 21

				
4x M6x30	1x M4x65	4x M6x2	2x	2x
C Bolt	H Allen key	K Flat Washer	M Mini Fix Housing	N Mini Fix Cap



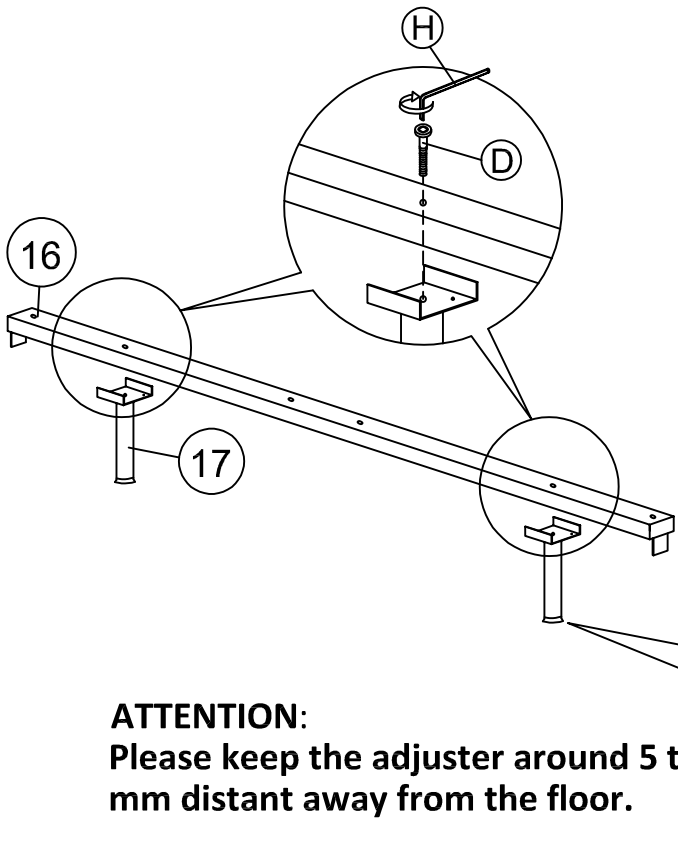
# Step 22

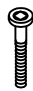


		
4x M6x30	1x M4x65	4x M6x2
C Bolt	H Allen key	K Flat Washer





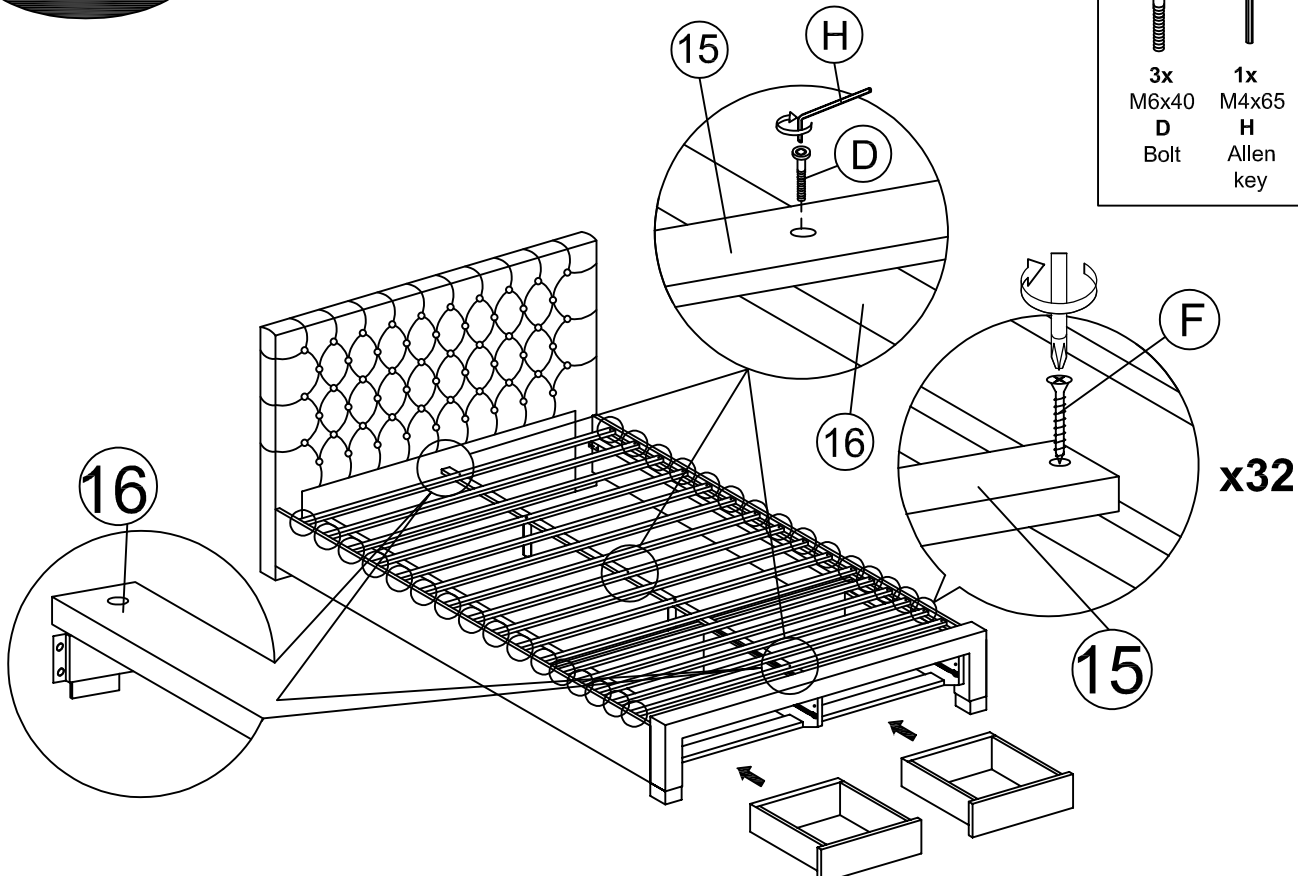
# Step 23

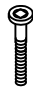

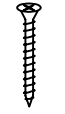


		
2x M6x40	1x M4x65	2x 35mm
D Bolt	H Allen key	J Adjuster

**ATTENTION:**  
Please keep the adjuster around 5 to 8 mm distant away from the floor.

# Step 24



		
3x M6x40	1x M4x65	32x M4x32
D Bolt	H Allen key	F Screw

**x32**

Please dispose of all packaging safely.

## General Care & Maintenance

Wipe clean with a slightly damp cloth.  
Avoid the use of all household cleaners and abrasives.

Periodically check all screw & fixings to ensure they are secure.

When moving your product, carefully lift into place. Never drag or push the product across the floor as this will cause damage to the joints. If the product is used on hard flooring, such as wood or laminated floor, you must place some protection under the legs to stop the product from moving. If this is not adhered to, it could result in failure to the product that will invalidate the warranty.

For more information on cleaning and product care visit:  
<https://www.happybeds.co.uk/help-and-advice>

## Notes

In the unlikely event that you have problems putting this product together or have damaged or missing parts, please contact us by visiting:  
<https://www.happybeds.co.uk/customer-service>