

## Assembly Instructions

### Important before assembly:

Read these instructions carefully before assembling or using the product.

Please check the contents of the boxes before attempting to assemble this product. The instructions will have a checklist of parts and fittings.

Assemble the product as close to its intended final location/room as possible.

### Health & Safety:

This product or some parts of this product will be heavy. Please use an assistant when lifting.

Please keep small parts out of reach of children.

Always use on a level, even surface.

DO NOT jump on the product or any of its parts.

DO NOT use this product if any parts are missing, damaged or worn.

DO NOT use this product unless all fixings are secured.

**Further instructions are on the following pages.**

Please keep these instructions for future reference.



This product or some parts of this product will be heavy. Please use an assistant when lifting.



Never drag or push the pieces across a hard or stone floor as this will cause damage to the joints. Use a carpet or a rug for extra care.



If you have problems assembling or have damaged or missing pieces, please contact our customer services (details at the back of these instructions)

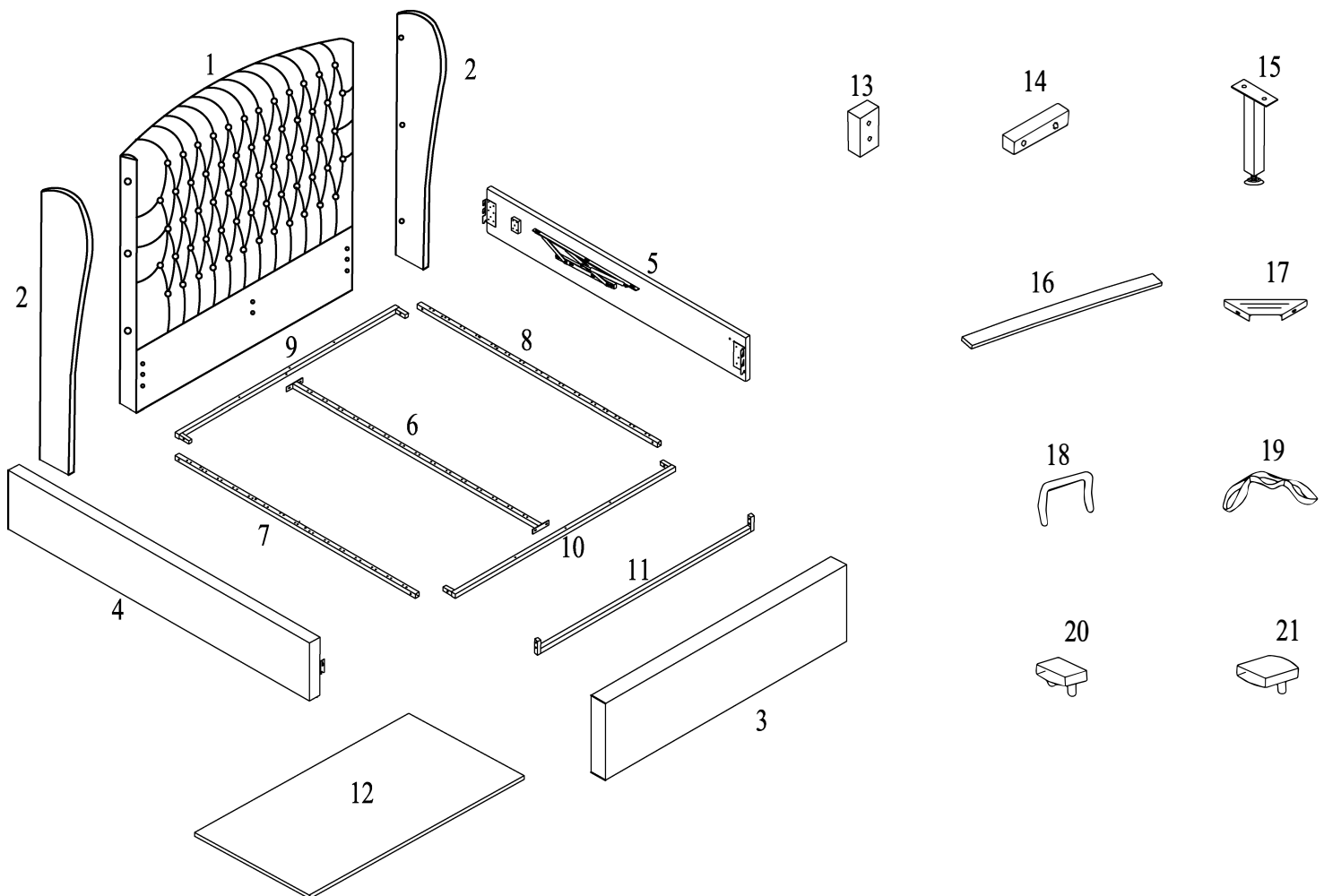
## Parts

No	Part List	Qty	Box
1	Headboard	1pc	1
2	Headboard Wings	2pcs	2
3	Footboard	1pc	2
4	Side Rails (Left)	1pc	2
5	Side Rails (Right)	1pc	2
6	Support Bar	1pc	2
7	Metal Left Frame (L)	1pc	2
8	Metal Right Frame (R)	1pc	2
9	Metal Frame (Short - Headboard)	1pc	3
10	Metal Frame (Short - Footboard)	1pc	3
11	Center Support Bar	1pc	3
12	Storage Wooden Base	2pcs	1
13	Headboard Support Wood	1pc	2
14	Footboard Support Wood	1pc	2
15	Center Rail Support Leg	1pc	3
16	Slats	28pcs	3
17	Metal Corner Plate	2pcs	2
18	Mattress Stopper	2pcs	2
19	Pull Strap	1pc	2
20	Single Plastic Cap Side	28pcs	2
21	Double Plastic Cap Center	14pcs	2

## Fittings

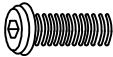

No	Hardware List	Qty	Box
A	Bolt (M6x25mm)	4pcs	2
B	Bolt (M8x16mm)	14pcs	2
C	Bolt (M8x30mm)	12pcs	2
D	Bolt (M8x45mm)	10pcs	2
E	Non-slip Pad	18pc	2
F	Bolt (M6x45mm)	4pcs	2
G	Bolt (M8x50mm)	6pcs	2
H	Flat Washer (M8x20mm)	6pcs	2
I	Spanner	1pc	2
J	Allen Key M5	1pc	2
K	Allen Key M4	1pc	2
L	M8 Nut	12pcs	2

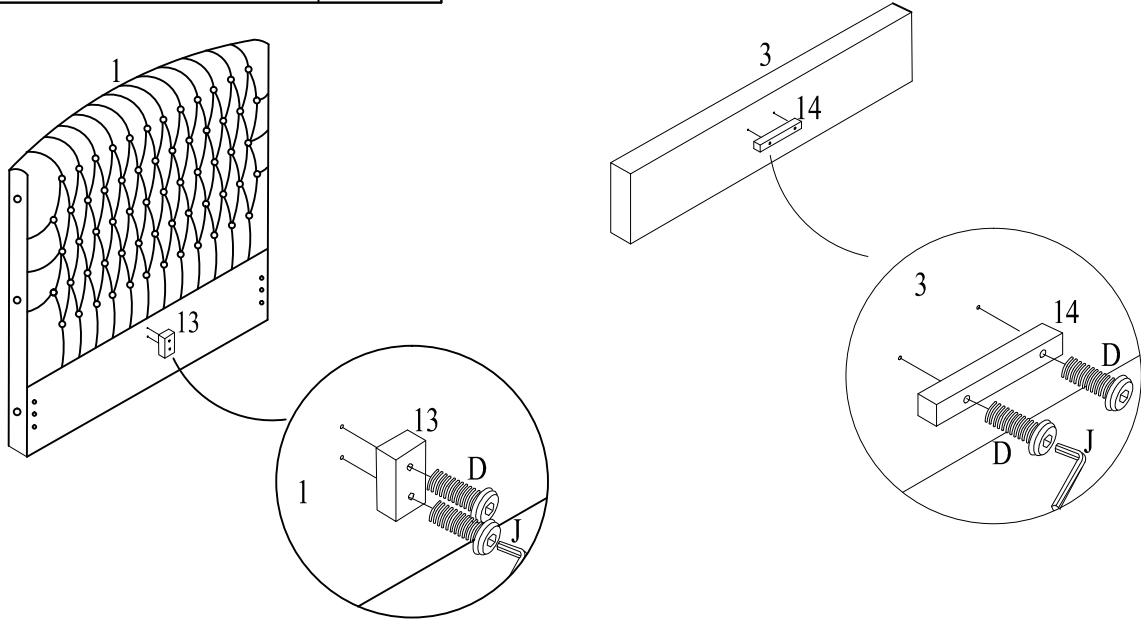
\* You will also need a screwdriver (not provided)



## Step 1:



To fix the Headboard Support Wood (13) to the headboard (1), the Footboard Support Wood (14) to the footboard (3), you will need to use bolt (D) with the M4 allen key (J).

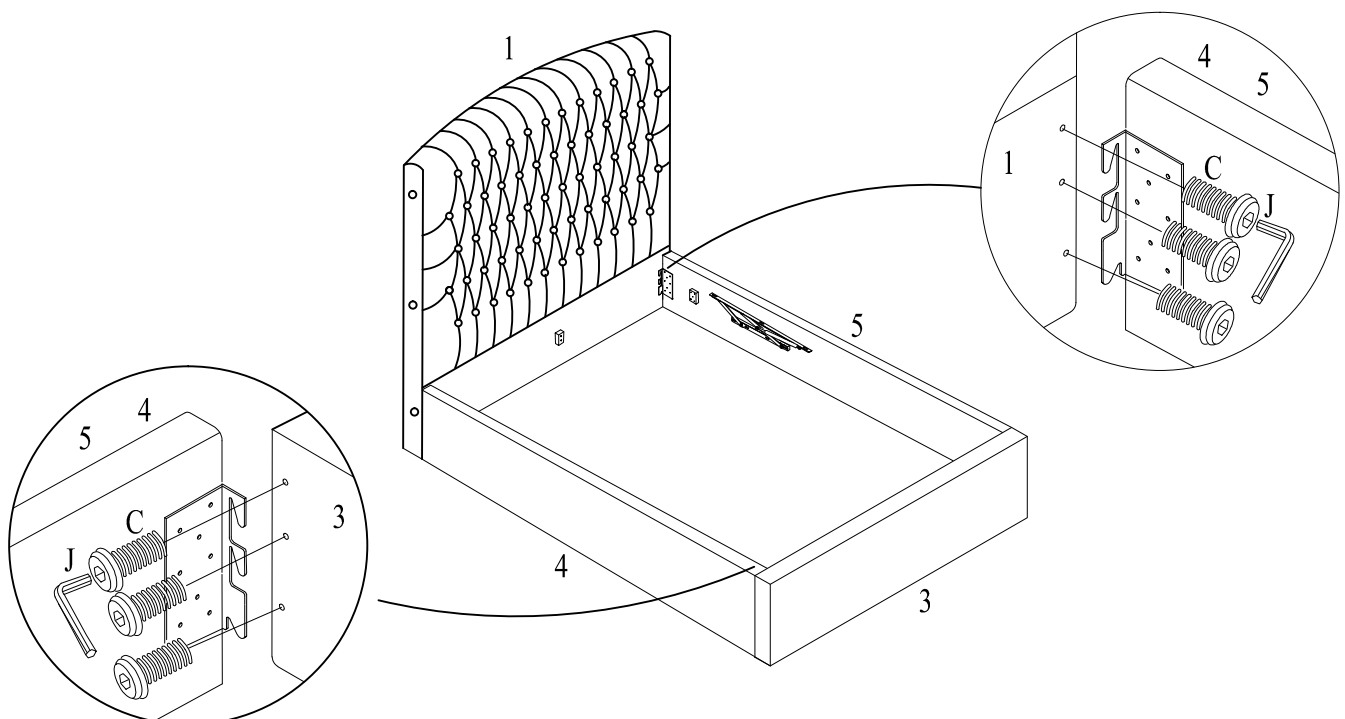
D	Bolt M8 x 45mm		4pcs
J	Allen Key M5		1pc



## Step 2:

To fix the side rail (4) and (5) to the headboard (1) and footboard (3), you will need to use Bolt (C) with the M5 allen key (J).


C	Bolt (M8x30mm)		12pcs
J	Allen Key M5		1pc

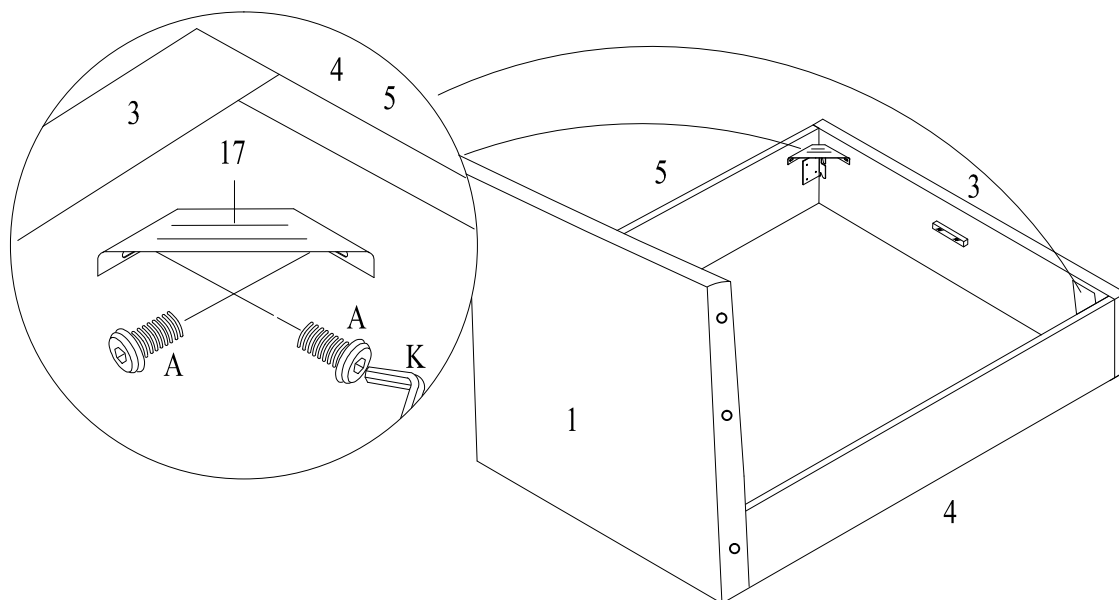


DO NOT use any power tools as this may damage the frame and will invalidate any claim.

### Step 3:


To fix the Metal Corner Plate (17) to the footboard (3), to the side rail (4) and (5), you will need to use bolt (A) with the M4 allen key (K).

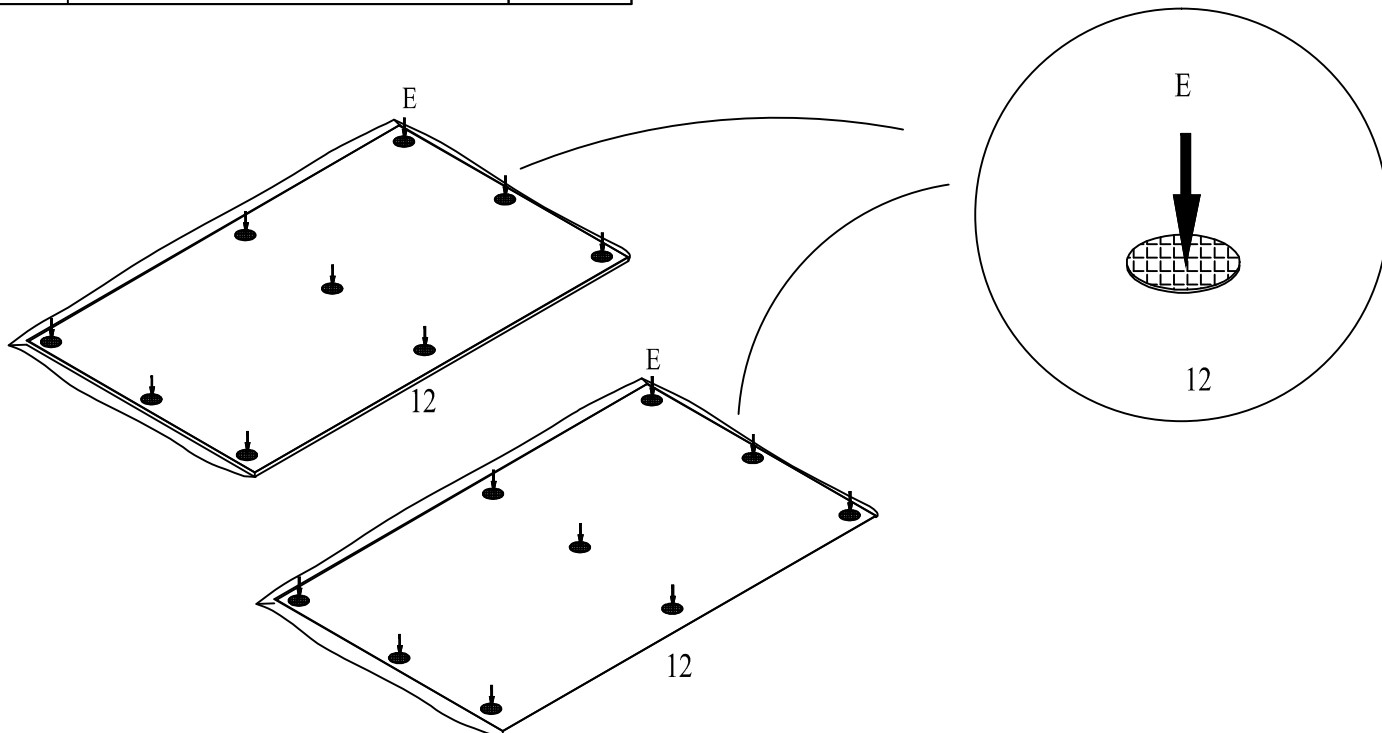
A	Bolt (M6x25mm)		4pcs
K	Allen Key M4		1pc



DO NOT use any power tools as this may damage the frame and will invalidate any claim.

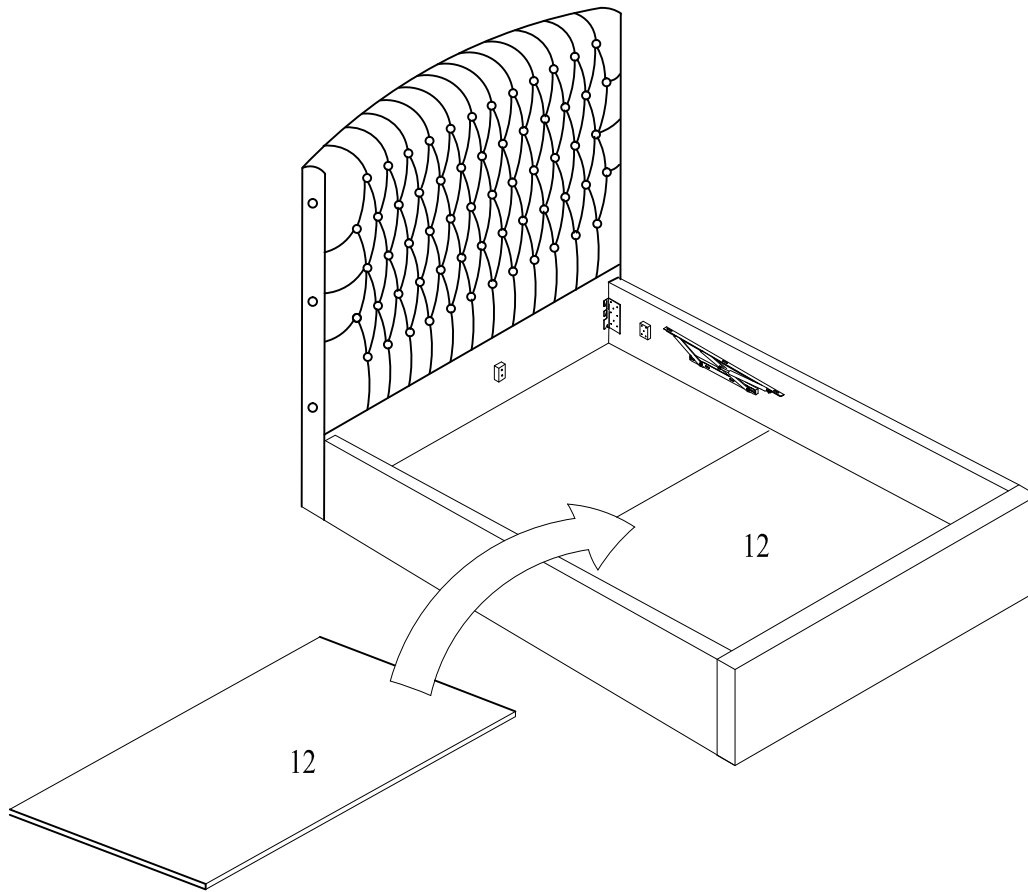
### Step 4:

E	Non-slip Pad		18pcs
---	--------------	---	-------





### Step 5:

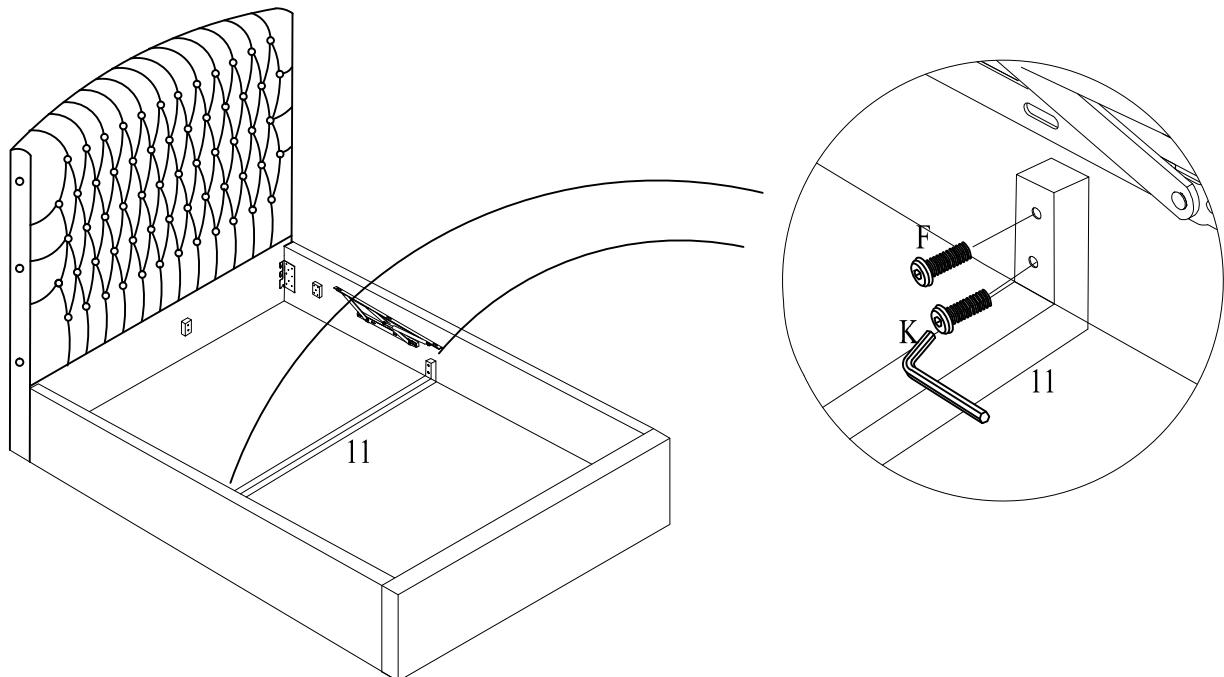
To fix the Storage Wooden Base (12) to the Bed Bottom.



### Step 6:

To fix the Center Support Bar (11) to the Side Rails (4) and (5).

F	Bolt (M6x45mm)		4pcs
K	Allen Key M4		1pc





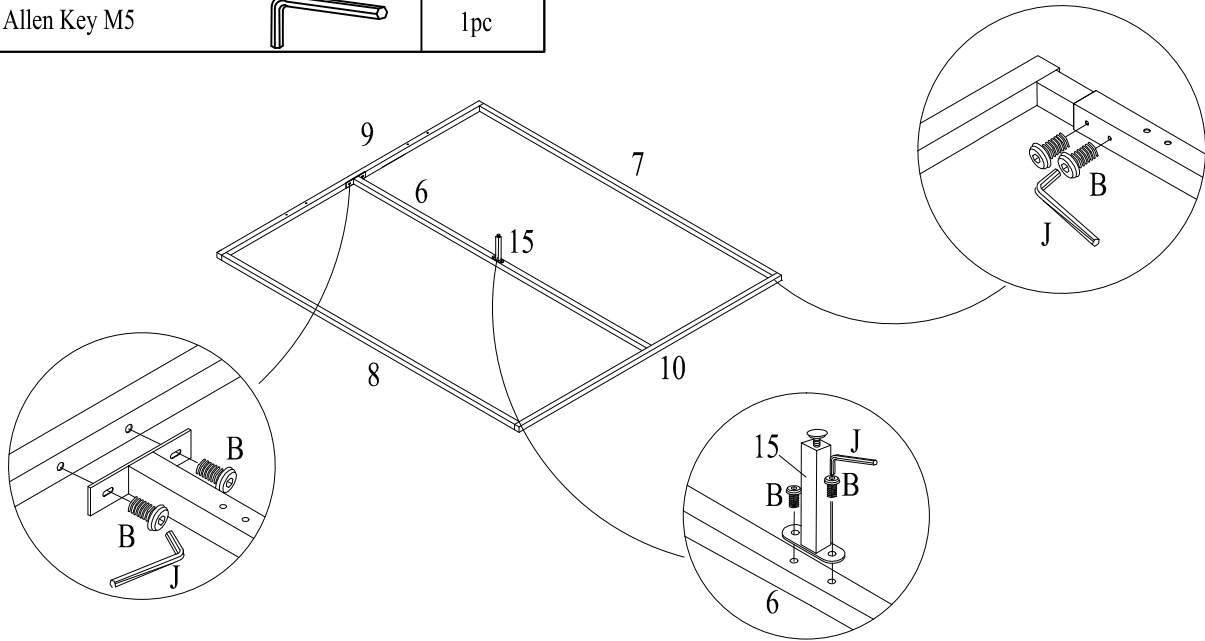
DO NOT use any power tools as this may damage the frame and will invalidate any claim.

### Step 7:

To fix the Front Frame Short (9) and (10) to the Metal Left Frame (L) (7) and Metal Right Frame (R) (8).

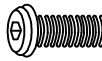
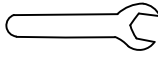


To fix the Support Bar (6) to the Front Frame Short (9) and (10), Center Rail Support Leg (15) to the Support Bar (6).

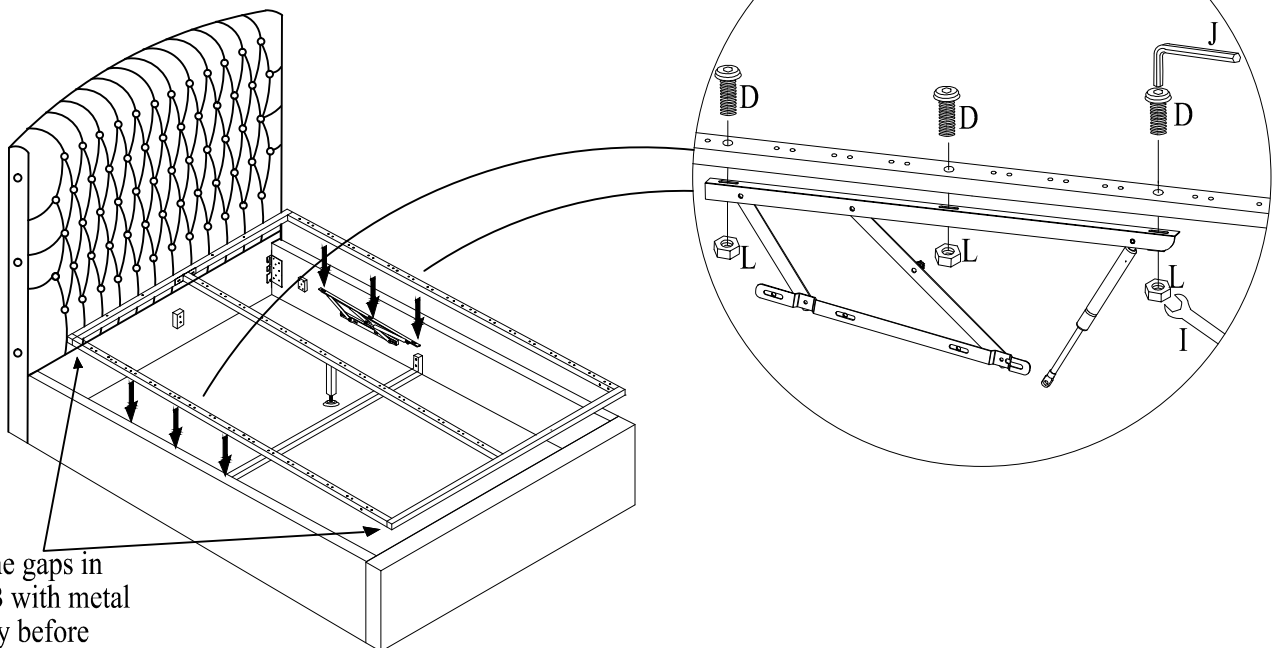
B	Bolt M8 x 16mm		14pcs
J	Allen Key M5		1pc



### Step 8:

To fix the Metal frame to the gas lift mechanisms.

D	Bolt M8 x 45mm		6pcs
I	Spanner M14		1pc
J	Allen Key M5		1pc
L	M8 Nut		6pcs

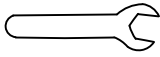


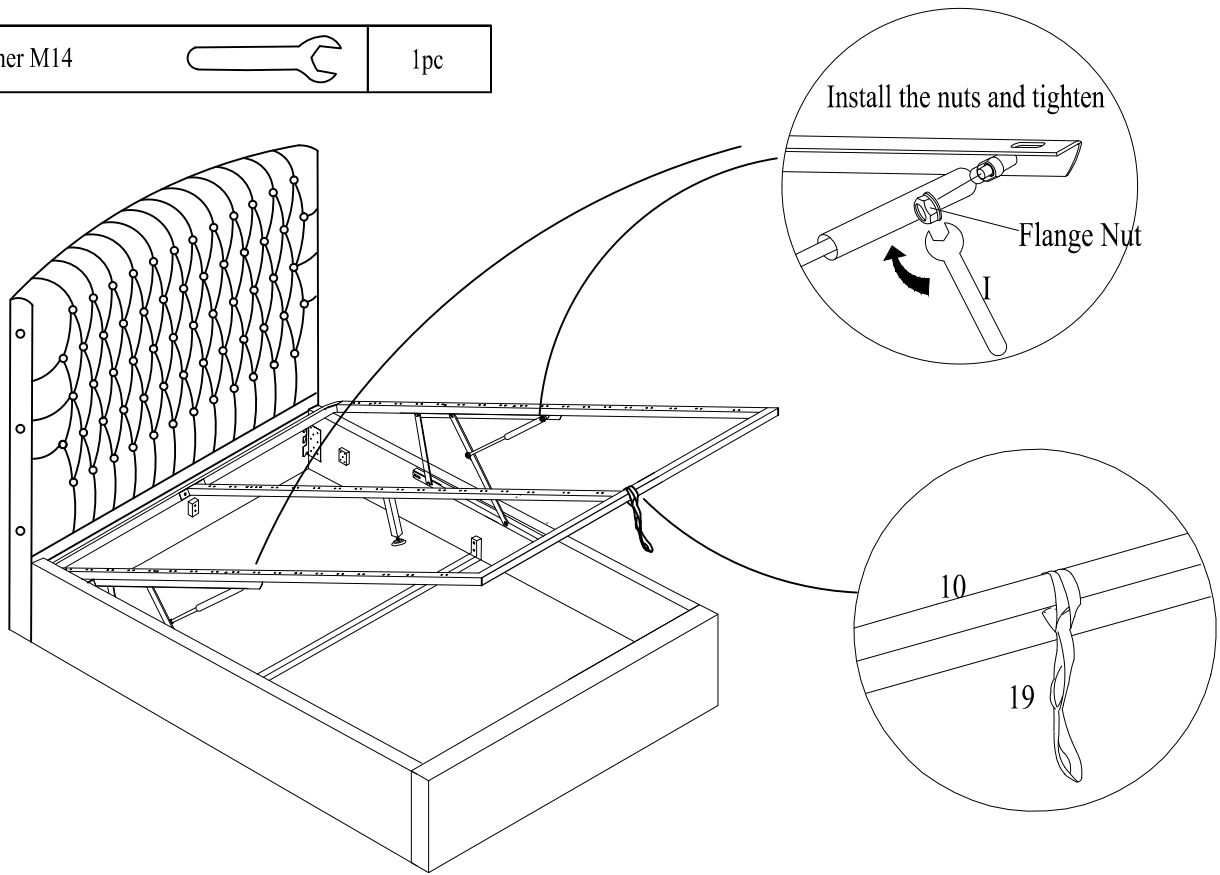
Please ensure the gaps in between HB/FB with metal frame are evenly before assemble the metal frame

DO NOT use any power tools as this may damage the frame and will invalidate any claim.

## Step 9:

To fix the Pull Strap (19) to the Front Frame Short (10).  
Tighten the nuts on hydraulic pump.

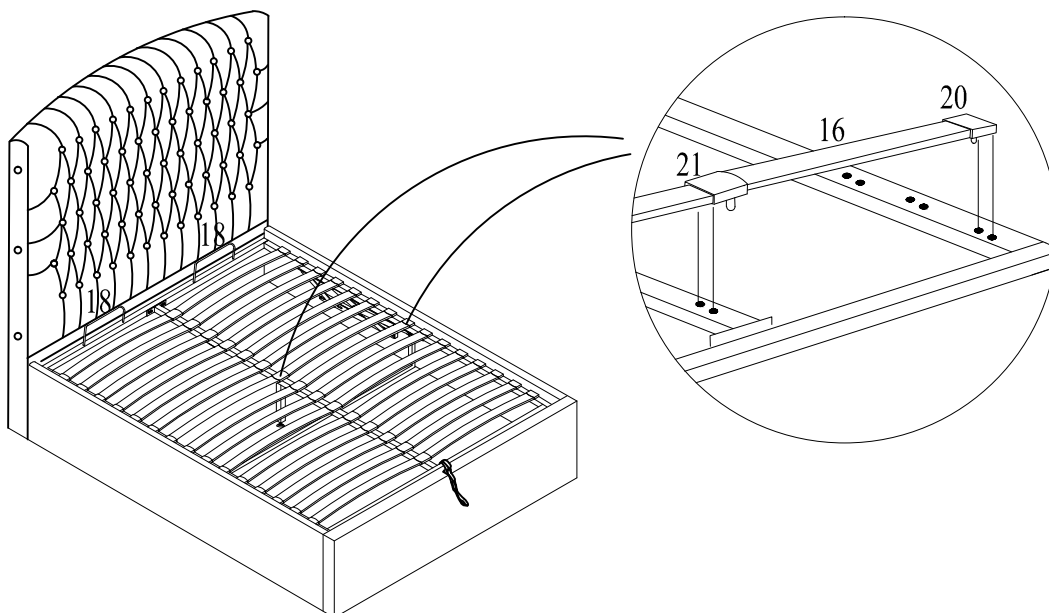
I	Spanner M14		1pc
---	-------------	---	-----



DO NOT use any power tools as this may damage the frame and will invalidate any claim.


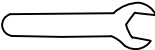


## Step10

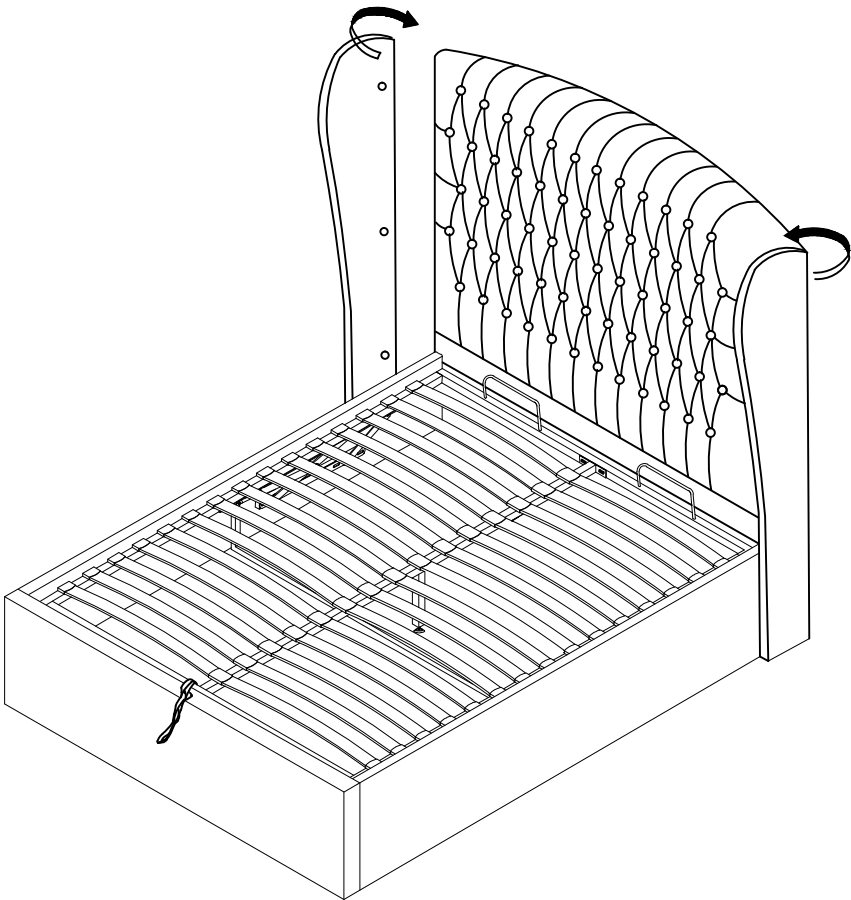
To fix the Mattress Stopper (18) to the Front Frame Short (9) ,  
Single Plastic Cap Side (20) and Double Plastic Cap Center (21) to the Slats (16) to the metal frame.



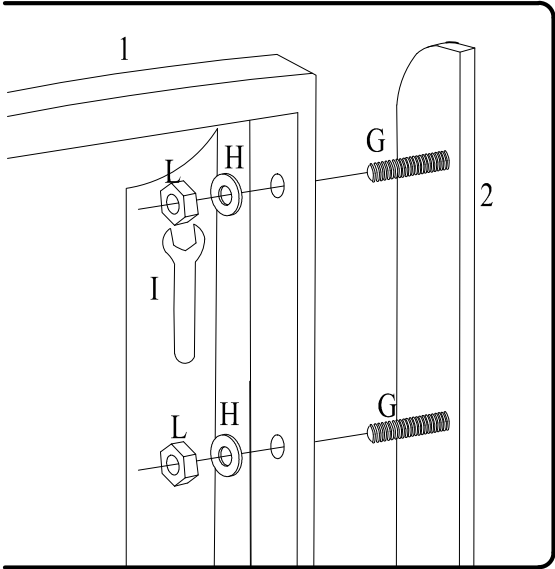


**Step 11:**

G	Bolt M8x50mm		6pcs
I	Spanner M14		1pc
H	Flat Washer M8x20mm		6pcs
L	M8 Nut		6pcs



X6



Please dispose of all packaging safely.

## General Care & Maintenance

Wipe clean with a slightly damp cloth.  
Avoid the use of all household cleaners and abrasives.

Periodically check all screw & fixings to ensure they are secure.

When moving your product, carefully lift into place. Never drag or push the product across the floor as this will cause damage to the joints. If the product is used on hard flooring, such as wood or laminated floor, you must place some protection under the legs to stop the product from moving. If this is not adhered to, it could result in failure to the product that will invalidate the warranty.

For more information on cleaning and product care visit:  
<https://www.happybeds.co.uk/help-and-advice>

## Notes

In the unlikely event that you have problems putting this product together or have damaged or missing parts, please contact us by visiting:  
<https://www.happybeds.co.uk/customer-service>