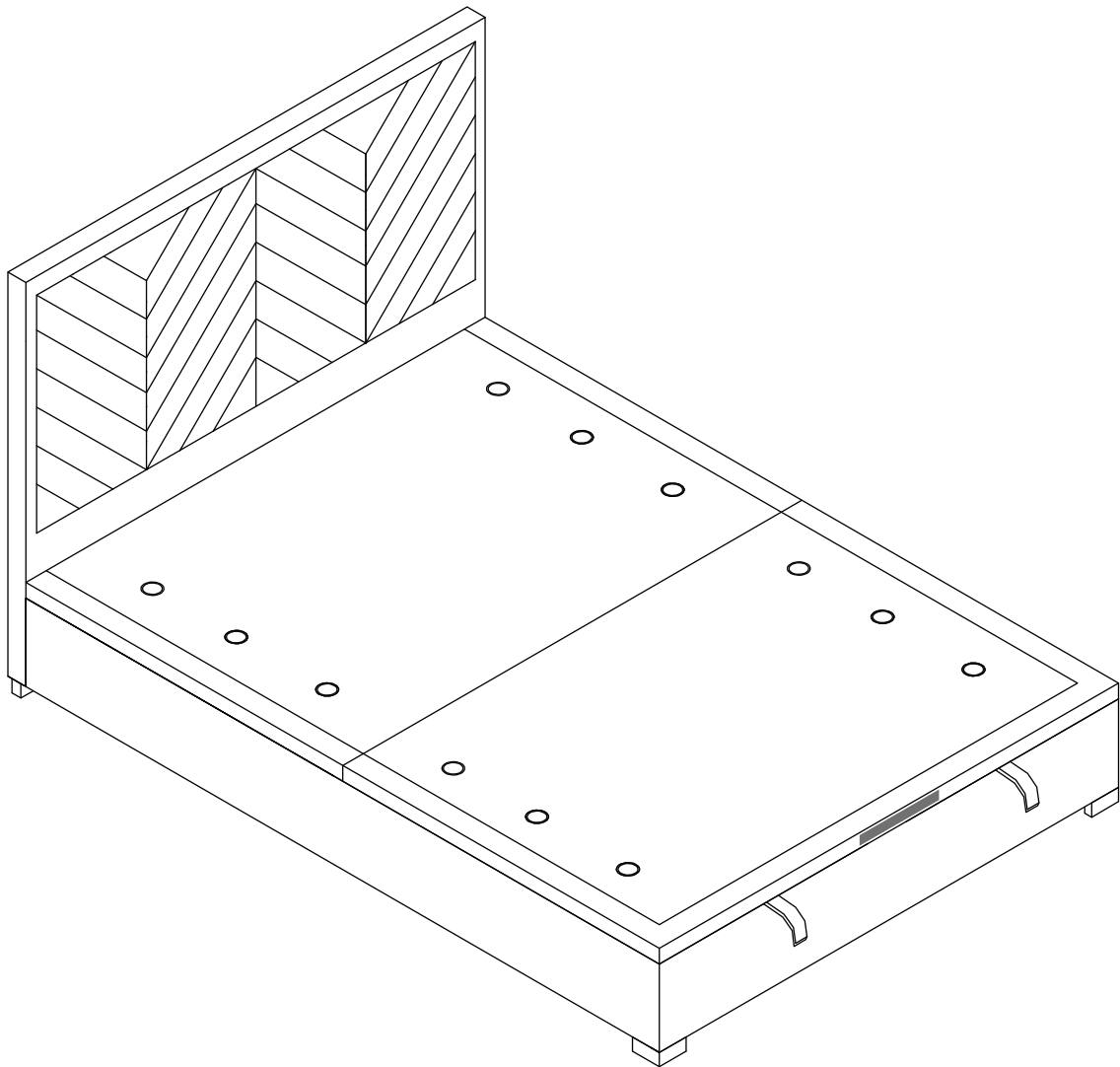


Happy beds™

www.happybeds.co.uk

Assembly Instructions

Watson Ottoman Bed



Happy beds™

www.happybeds.co.uk

Join our Happy VIP list!

Don't miss out! Sign up to our newsletter so you don't miss out on our amazing sales and giveaways! Head to our website, www.happybeds.co.uk to sign up and save £10 off your next order.

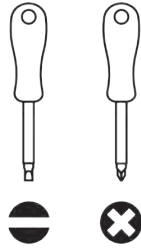
Your chance to WIN some luxury sleep products when featured in our blog!

Simply use #MyHappyBed to tag your new product, and if you are chosen to be featured in our monthly interior blog: Your Happy Beds This Month, we'll send over some luxury sleep products!

Want some styling inspo?

Stay up to date with the latest interior trends or find out about your sleeping habits by reading our Happy Beds blog! Scan the QR code for styling tips.

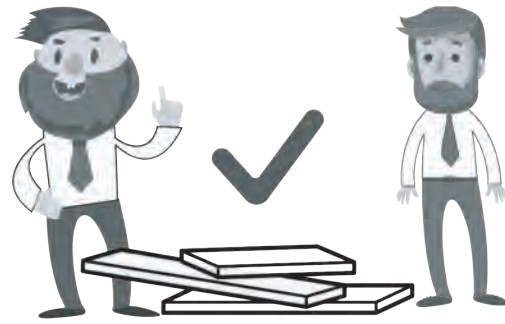
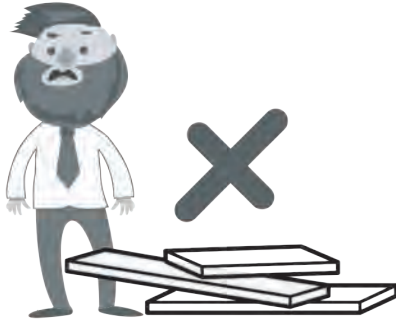




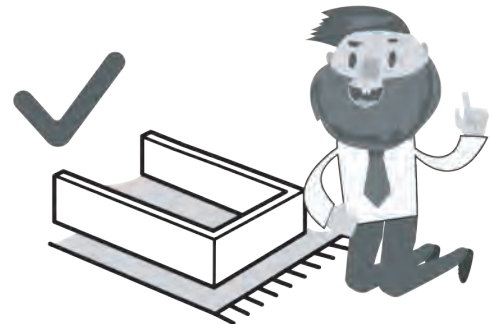
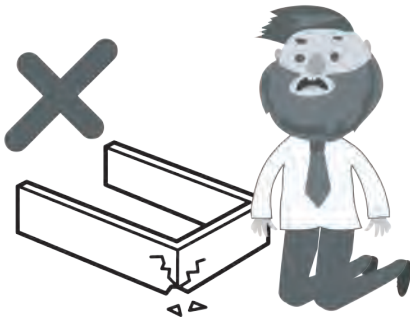
(Not metal)

These tools are not necessary, but may help to assemble certain parts of the product.

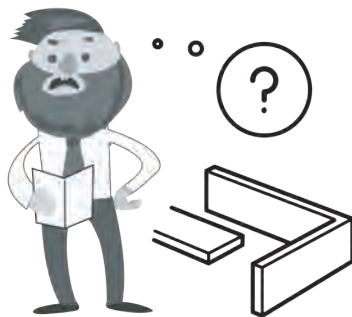
Do NOT use any power tools as this may damage the frame.



This product or some parts of this product will be heavy. Please use an assistant when lifting.



Never drag or push the pieces across a hard or stone floor as this will cause damage to the joints. Use a carpet or a rug for extra care.



If you have problems assembling or have damaged or missing pieces, please contact us by visiting:

<https://www.happybeds.co.uk/customer-service>

Happy beds™

www.happybeds.co.uk

Health & Safety:

This product or some parts of this product will be heavy. Please use an assistant when lifting.

Please keep small parts out of reach of children.

Always use on a level, even surface.

DO NOT jump on the product or any of its parts.

DO NOT use this product if any parts are missing, damaged or worn.

DO NOT use this product unless all fixings are secured.

Please keep these instructions for future reference.

Important for Ottoman and other gas lift beds

Note:

The gas lifts are fully extended during shipment for safety. After assembly a firm downward push will be required to overcome any resistance in the gas lifts as these may initially stick. We suggest placing a mattress on top of the bed base to aid this and also test the operation of your new lift-up bed by lifting and pushing down the bed base a few times to free off the system.

Do NOT operate the lift-up mechanism without the mattress placed on the base.

The lift mechanism provides assistance with the lift of the mattress fitted to the base. It does not lift the mattress for you. The system has been designed to effectively lift the base system fitted with a variety of mattress weights and combinations of depths.

The gas cylinders fitted to the system may be stiff when first used or if the system has not been operated for a period of time.

If provided, use the strap handle to lift up the mattress base using two hands. Pull the mattress base down using two hands equally spaced from the centre of the mattress base. DO NOT pull down on one side of the base only as this is likely to damage the base system with potential failure of the mattress base system and lift mechanism.

Caution:

Do NOT allow children to operate the lift mechanism.

Do NOT allow children near the lift base when operating the mechanism.

Do NOT allow children in the area of the internal storage base.

Keep hands clear of the mechanism when operating the base system.

Do NOT stand inside the bed or the internal storage base.

Do NOT overload the internal storage base.

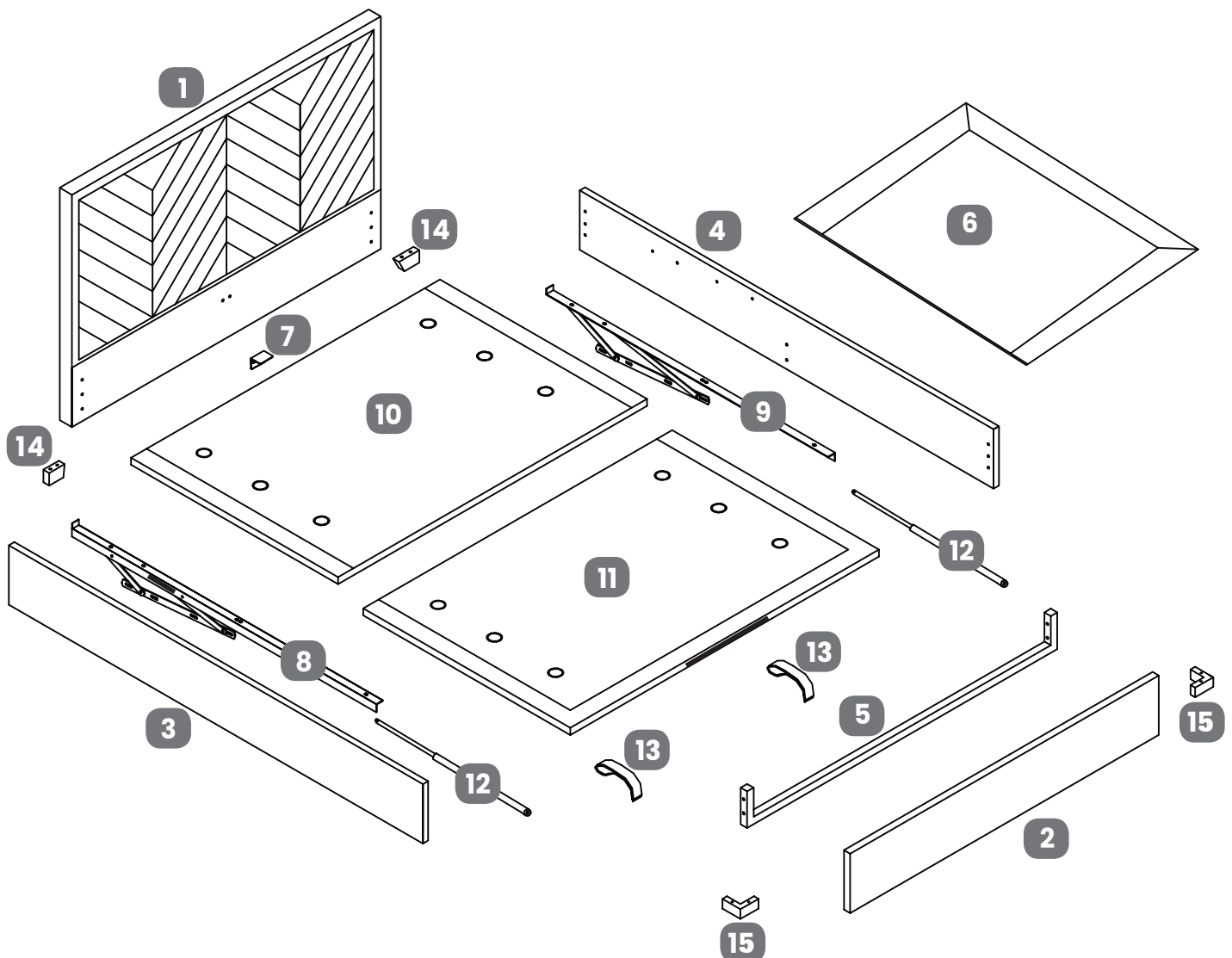


Happy beds™

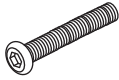





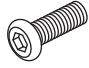
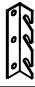


www.happybeds.co.uk

No	Part List	Qty	Box
1	Headboard	1 pc	1
2	Footboard	1 pc	4
3	Side rails - LH	1 pc	2
4	Side rails - RH	1 pc	2
5	"U" shaped cross bar	1 pc	4
6	Fabric base cover	1 pc	3
7	"L" shape frame support brackets	1 pc	4
8	Gas-Lift mechanism - LH	1 pc	4

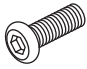
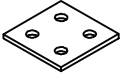




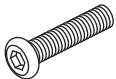
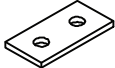
No	Part List	Qty	Box
9	Gas-Lift mechanism - RH	1 pc	4
10	Mattress base board - headend	1 pc	3
11	Mattress base board - footend	1 pc	3
12	Gas lift pistons	2 pcs	4
13	Fabric hand straps	2 pcs	4
14	Feet - headend	2 pcs	4
15	Feet - footend	2 pcs	4



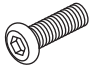





HARDWARE NEEDED FOR BED ASSEMBLY (PACK A)

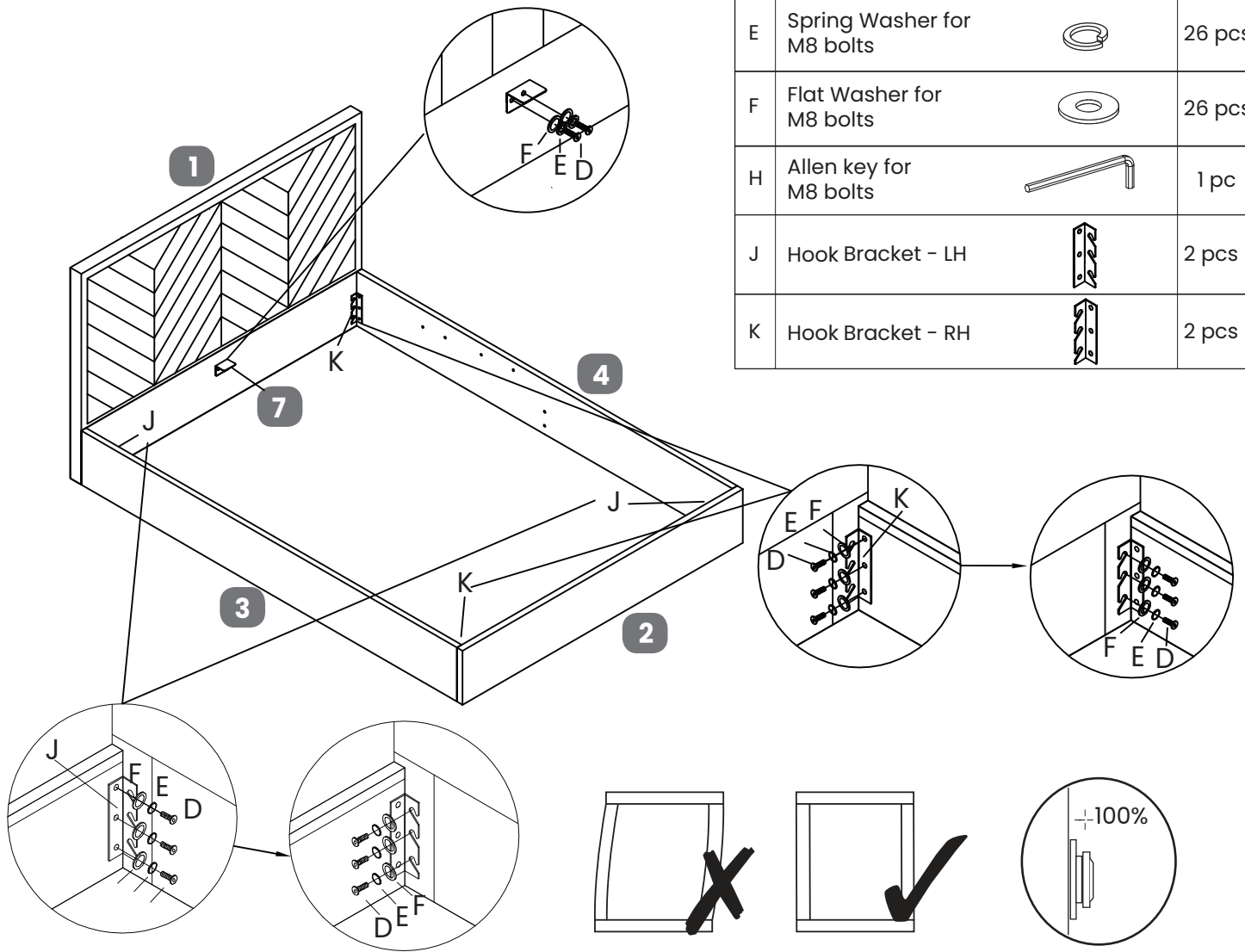
No	Hardware List	Qty	Box	No	Hardware List	Qty	Box		
A	Bolt (M6x70mm) for fitting feet to headboard (1) & footboard (2)		8 pcs	4	F	Flat washer for M8 bolts		26 pcs	4
B	Spring washer for M6 bolts		8 pcs	4	G	Allen key for M6 bolts		1 pc	4
C	Flat washer for M6 bolts		8 pcs	4	H	Allen key for M8 bolts		1 pc	4
D	Bolt (M8x25mm) for fitting hook brackets (J & K) to side rails (3 & 4)		26 pcs	4	J	Hook bracket - LH		2 pcs	4
E	Spring washer for M8 bolts		26 pcs	4	K	Hook bracket - RH		2 pcs	4

HARDWARE NEEDED FOR MATTRESS BASE BOARD ASSEMBLY (PACK B)

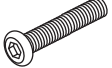



No	Hardware List	Qty	Box	No	Hardware List	Qty	Box		
D	Bolts (M8x25mm) for fitting mattress base board (10 & 11)		22 pcs	4	N	Metal connection plate		2 pcs	4
E	Spring washer for M8 bolts		34 pcs	4	P	Flanged M8 lock-nut		4 pcs	4
F	Flat washer for M8 bolts		34 pcs	4	Q	Spanner for flanged M8 Lock-nuts		1 pc	4
L	Bolts (M8x40mm) for fitting gas-lift mechanism to side rail (3&4)		12 pcs	4	R	Metal plate for fitting fabric hand straps (13)		2 pcs	4

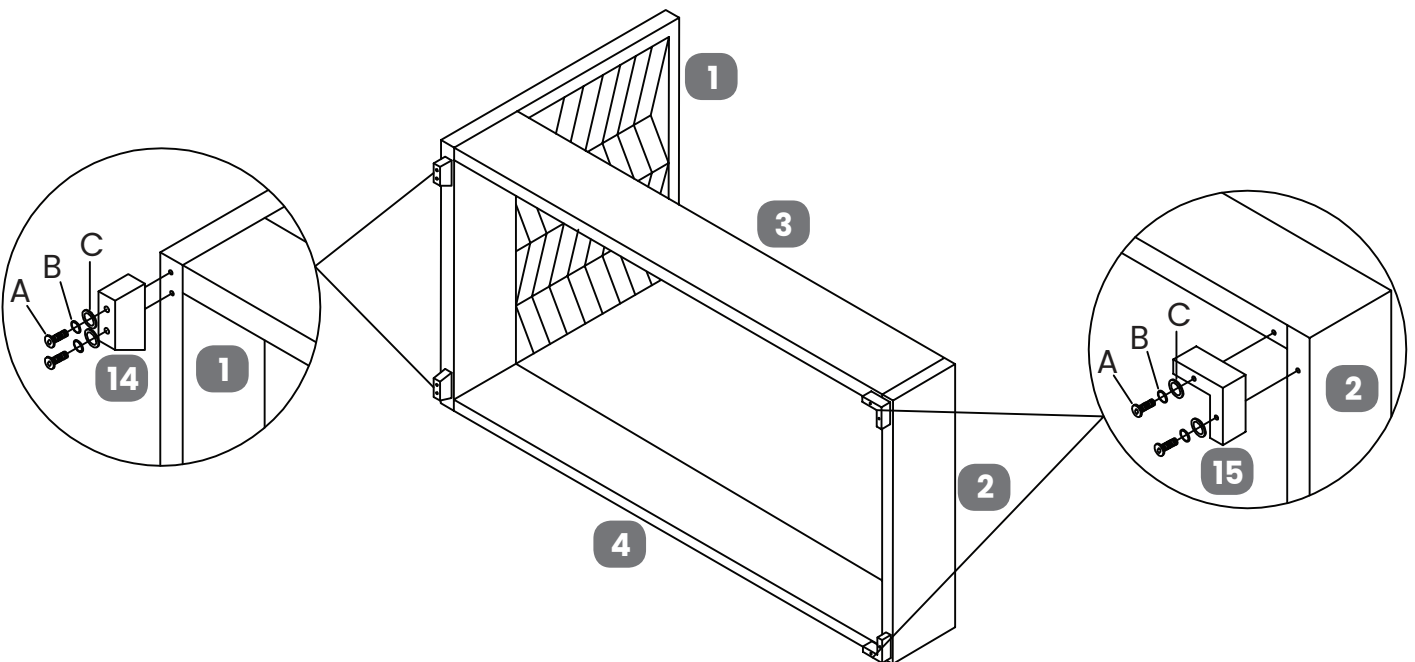
Step 1:

D	Bolts (M8x25mm)		26 pcs
E	Spring Washer for M8 bolts		26 pcs
F	Flat Washer for M8 bolts		26 pcs
H	Allen key for M8 bolts		1 pc
J	Hook Bracket - LH		2 pcs
K	Hook Bracket - RH		2 pcs

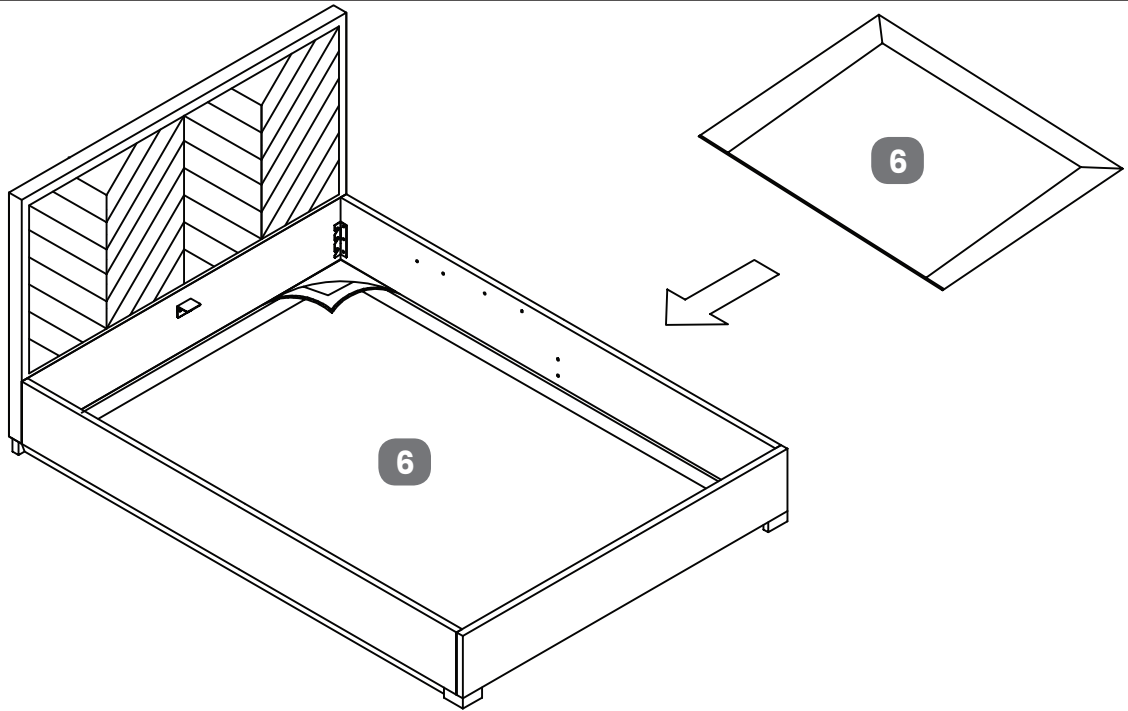


Step 2:



A	Bolts (M6x70mm)		8 pcs	C	Flat Washer for M6 bolts		8 pcs
B	Spring Washer for M6 bolts		8 pcs	G	Allen key for M6 bolts		1 pc


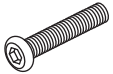




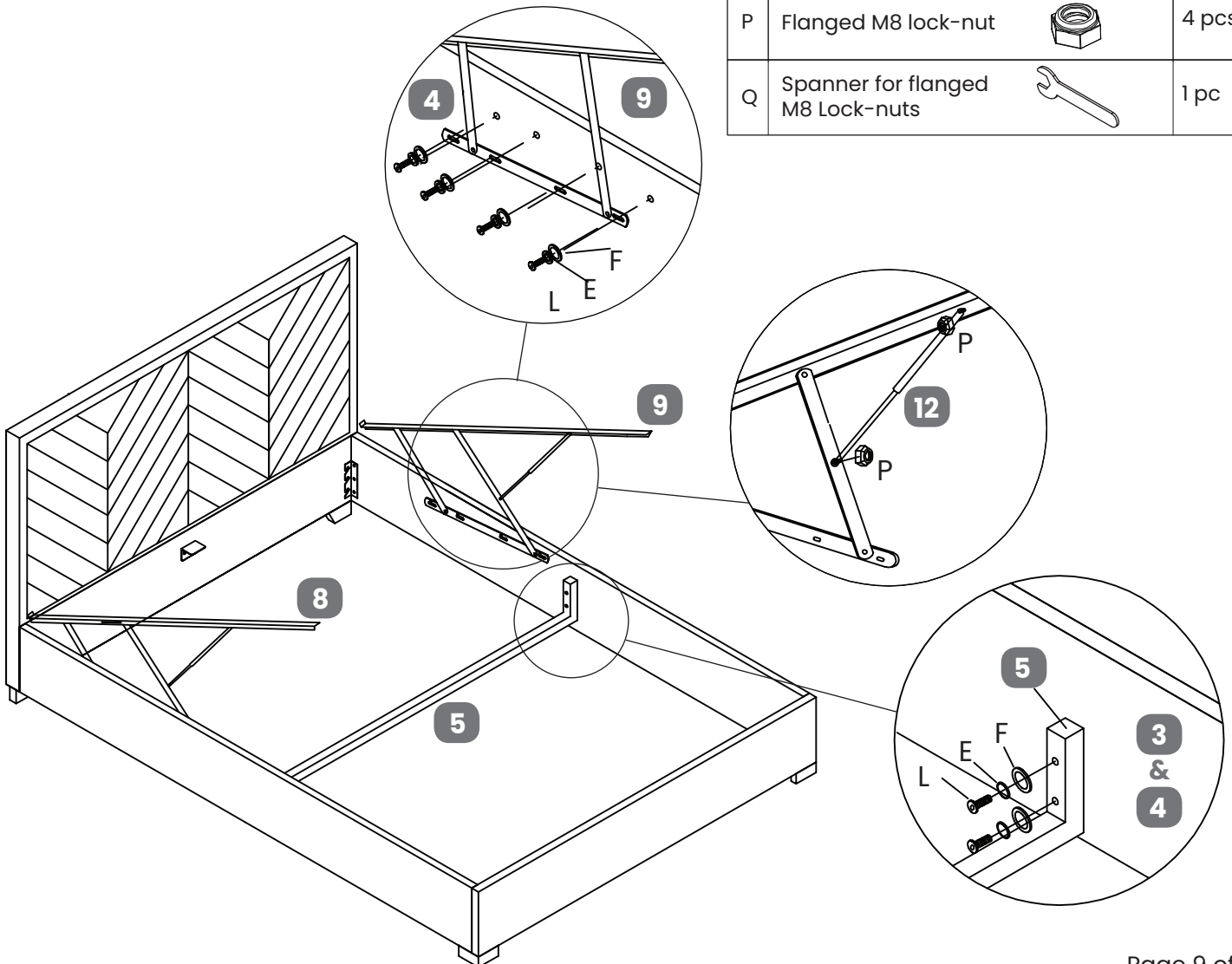
Step 3:



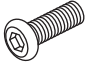



Step 4:

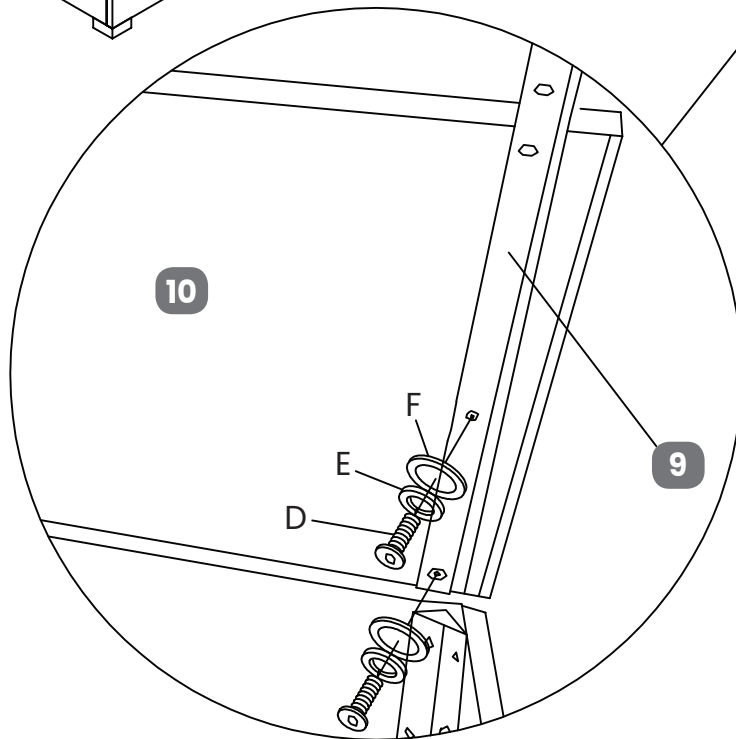
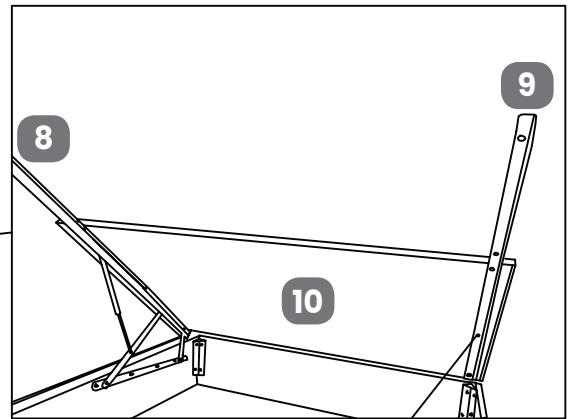
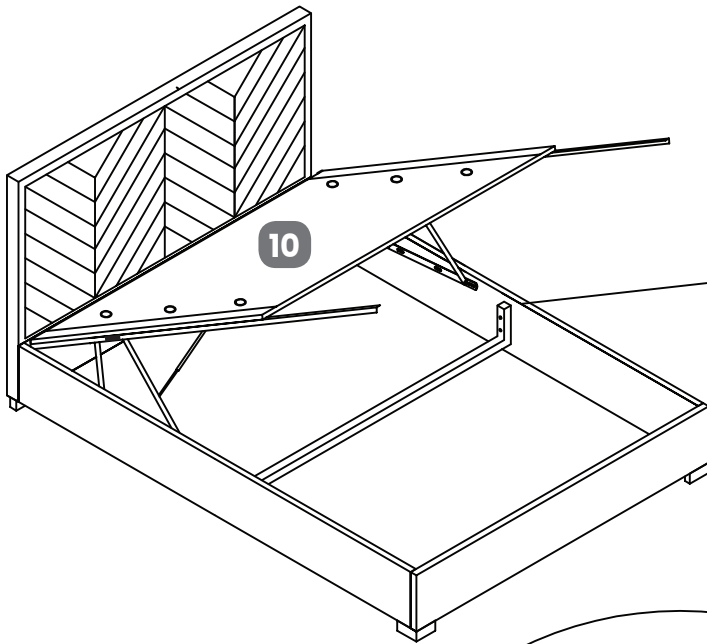
E	Spring Washer for M8 bolts		12 pcs
F	Flat Washer for M8 bolts		12 pcs

H	Allen key for M8 bolts		1 pc
L	Bolts (M8x40mm)		12 pcs
P	Flanged M8 lock-nut		4 pcs
Q	Spanner for flanged M8 Lock-nuts		1 pc



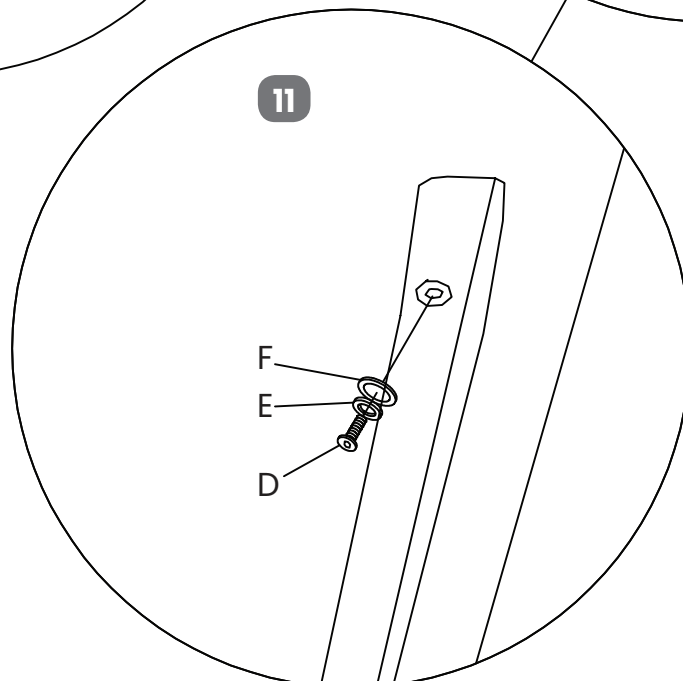
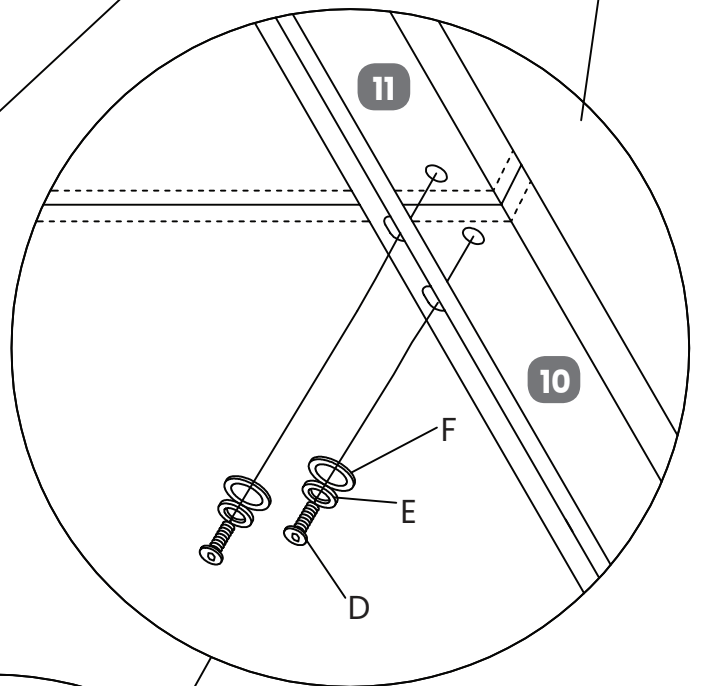
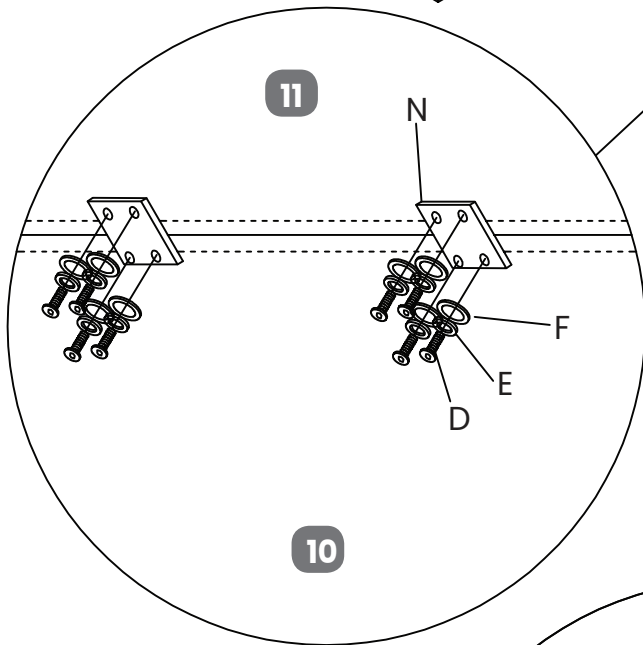
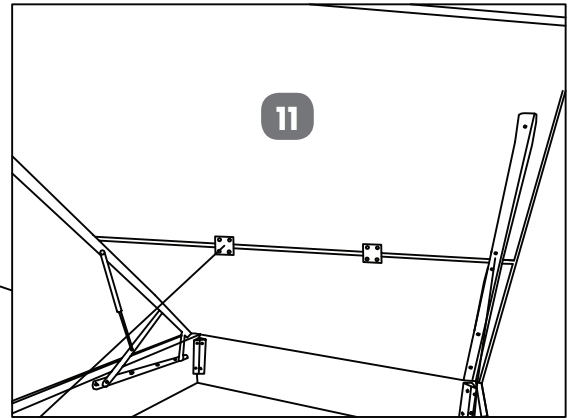
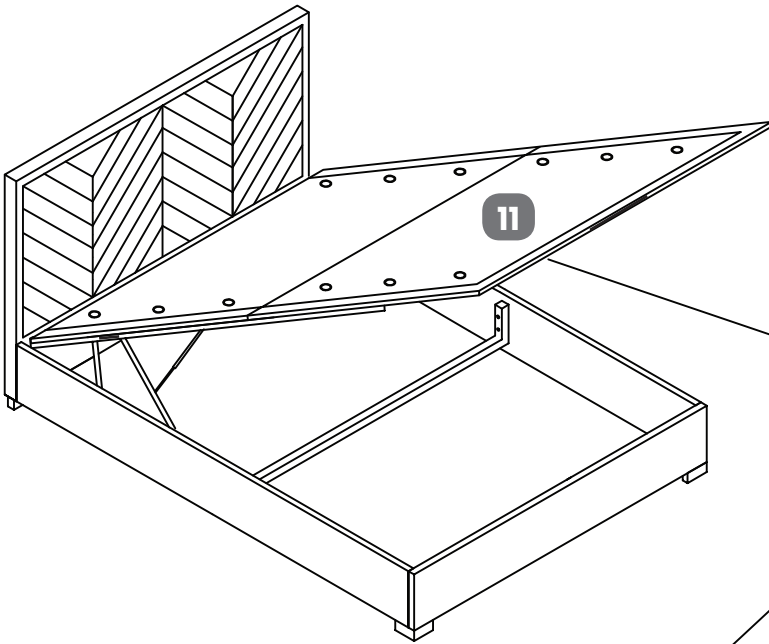
Step 5:

D	Bolt (M8x25mm)		4 pcs	F	Flat Washer for M8 bolts		4 pcs
E	Spring Washer for M8 bolts		4 pcs	H	Allen key for M8 bolts		1 pc



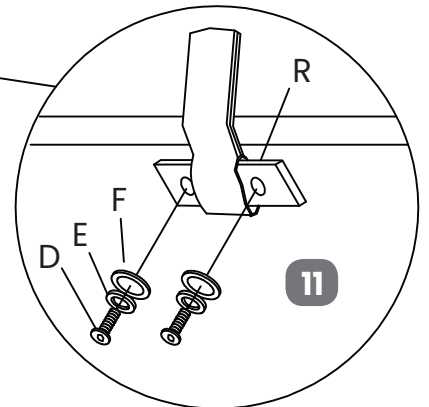
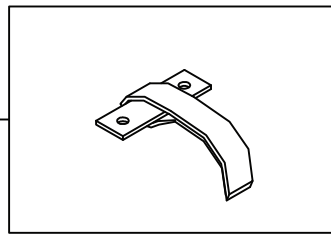
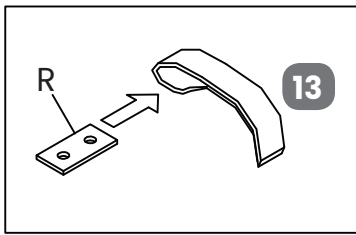
Step 6:

D	Bolt (M8x25mm)		14 pcs	F	Flat Washer for M8 bolts		14 pcs
E	Spring Washer for M8 bolts		14 pcs	H	Allen key for M8 bolts		1 pc
N	Metal connection plate		2 pcs				

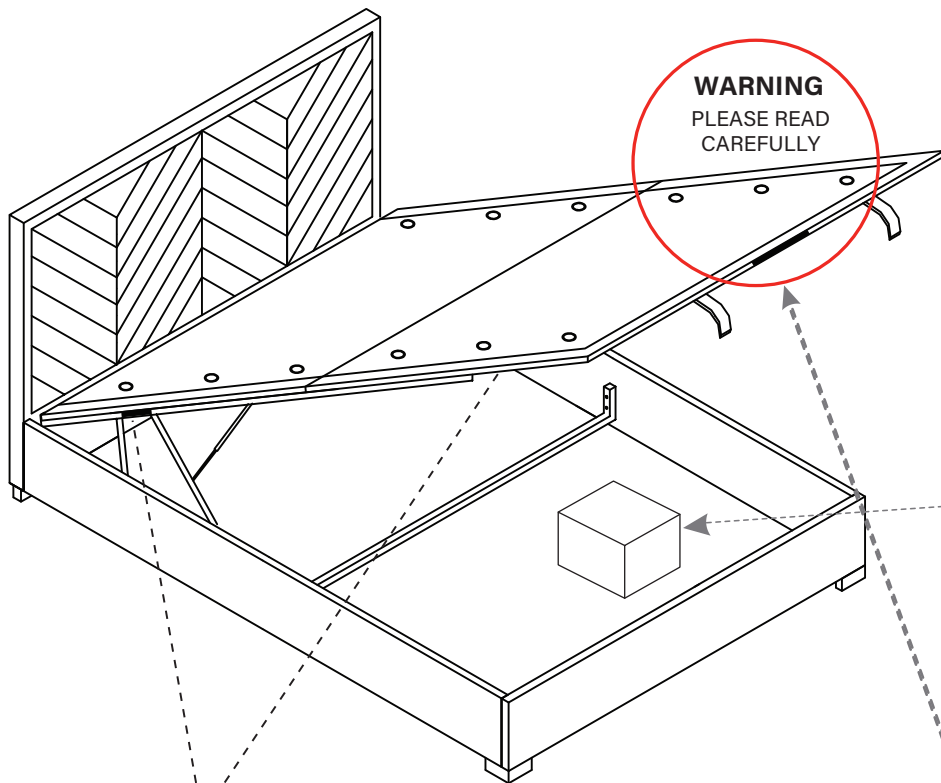


Step 7:

D	Bolt (M8x25mm)		4 pcs	F	Flat Washer for M8 bolts		4 pcs
E	Spring Washer for M8 bolts		4 pcs	H	Allen key for M8 bolts		1 pc
R	Metal plate		2 pcs				



WARNING
PLEASE READ CAREFULLY



Note: Be very careful what you store under the bed - the top of an item, like a box or a suitcase, must not touch the slats or they may be damaged. Maximum storage height is 270mm.

DO NOT REACH INTO THE SPACE BELOW

NB - TO AVOID ACCIDENTS, PLEASE CAREFULLY READ EACH POINT:

THE LIFT UP FRAME IS INTENDED TO BE OPERATED BY ADULTS ONLY

WHEN ACCESSING THE STORAGE AREA THE OTTOMAN FRAME MUST BE FULLY OPEN AND THEN FULLY CLOSED AFTERWARDS. BE CAREFUL WHEN LIFTING. LIFT ONLY WITH THE MATTRESS IN PLACE.
KEEP HANDS CLEAR OF THE MECHANISMS WHEN OPERATING THE LIFT-UP BASE SYSTEM. TO AVOID TRAPPING YOUR FINGERS, USE ONLY THE HANDLE OR HAND STRAP TO LIFT AND LOWER THE BASE.

DO NOT REACH INTO THE STORAGE AREA THROUGH THE HINGE MECHANISMS. KEEP CHILDREN AND PETS AWAY FROM THE MECHANISM AND STORAGE AREA. DO NOT STAND INSIDE THE INTERNAL STORAGE AREA OF THE BED. DO NOT OVERLOAD THE INTERNAL STORAGE BASE.

Important for Ottoman and other gas lift beds

Please follow these final steps to ensure the best experience with your new bed

- Please ensure the pistons are fitted to the bed frame.
- Please place the mattress on top of the bed frame.
- Standing at the foot of the frame (looking at the headboard) open the base and the press quite forcefully down on the mattress - please do not attempt to do this without the mattress being in place.
- Please do not pull on the strap handles.
- Please note as the pistons are full of gas - you will need to press heavily to release the compressed gas.
- Once done the pistons should start operating as normal.



Technical Specifications

Overall Dimensions (LWH mm)

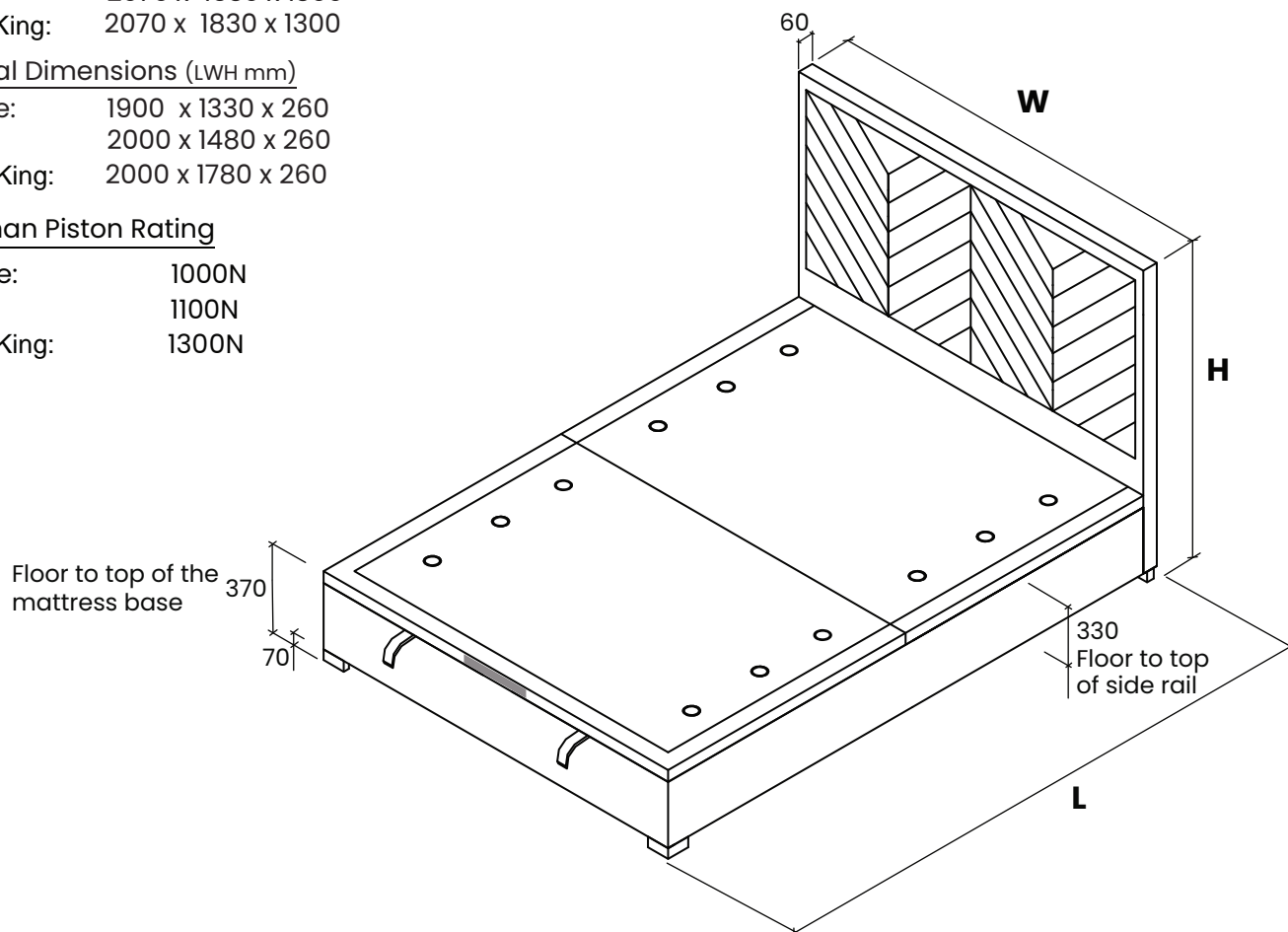
Double:	1970 x 1380 x 1300
King:	2070 x 1530 x 1300
Super King:	2070 x 1830 x 1300

Internal Dimensions (LWH mm)

Double:	1900 x 1330 x 260
King:	2000 x 1480 x 260
Super King:	2000 x 1780 x 260

Ottoman Piston Rating

Double:	1000N
King:	1100N
Super King:	1300N



Please dispose of all packaging safely.

General Care & Maintenance

Wipe clean with a slightly damp cloth or if fabric use a low suction vacuum cleaner to remove dust.

Avoid the use of all household cleaners and abrasives.

Periodically check all screw & fixings to ensure they are secure.

When moving your product, carefully lift into place. Never drag or push the pieces across the floor as this will cause damage to the joints and could result in failure to the product that will invalidate the warranty.

For more information on cleaning and product care visit:

<https://www.happybeds.co.uk/help-and-advice>

Notes

We've tried to make this product as easy to assemble as possible. In the unlikely event that you have problems putting it together or have damaged or missing pieces, please contact us by visiting:

<https://www.happybeds.co.uk/customer-service>

