



## **Assembly Instructions**

### **Important before assembly:**

Read these instructions carefully before assembling or using the product.

Please check the contents of the boxes before attempting to assemble this product. The instructions will have a checklist of parts and fittings.

Assemble the product as close to its intended final location/room as possible.

### **Health & Safety:**

This product or some parts of this product will be heavy. Please use an assistant when lifting.

Please keep small parts out of reach of children.

Always use on a level, even surface.

DO NOT jump on the product or any of its parts.

DO NOT use this product if any parts are missing, damaged or worn.

DO NOT use this product unless all fixings are secured.

**Further instructions are on the following pages.**

Please keep these instructions for future reference.

Please check all hardware matches the list below. Should you notice any are missing please contact your retailer.

**A**



14x11mm

6x

**B**



6x35x8mm

4x

**C**



10x11mm

52x

**D1**



6x15mm

4x

**D2**



8x30mm

30x

**E1**



6x10mm

40x

**E2**



6x20mm

20x

**E3**



6x25mm

45x

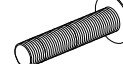
**E4**



6x40mm

16x

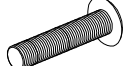
**E5**



6x50mm

10x

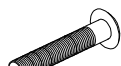
**E6**



6x65mm

4x

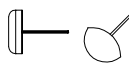
**E7**



6x90mm

36x

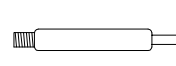
**F**



20X15mm

6x

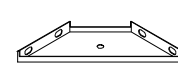
**G**



6x60x8mm

2x

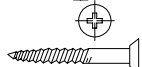
**H**



230x70x33mm

8x

**I**



3.5x29mm

40x

**J**



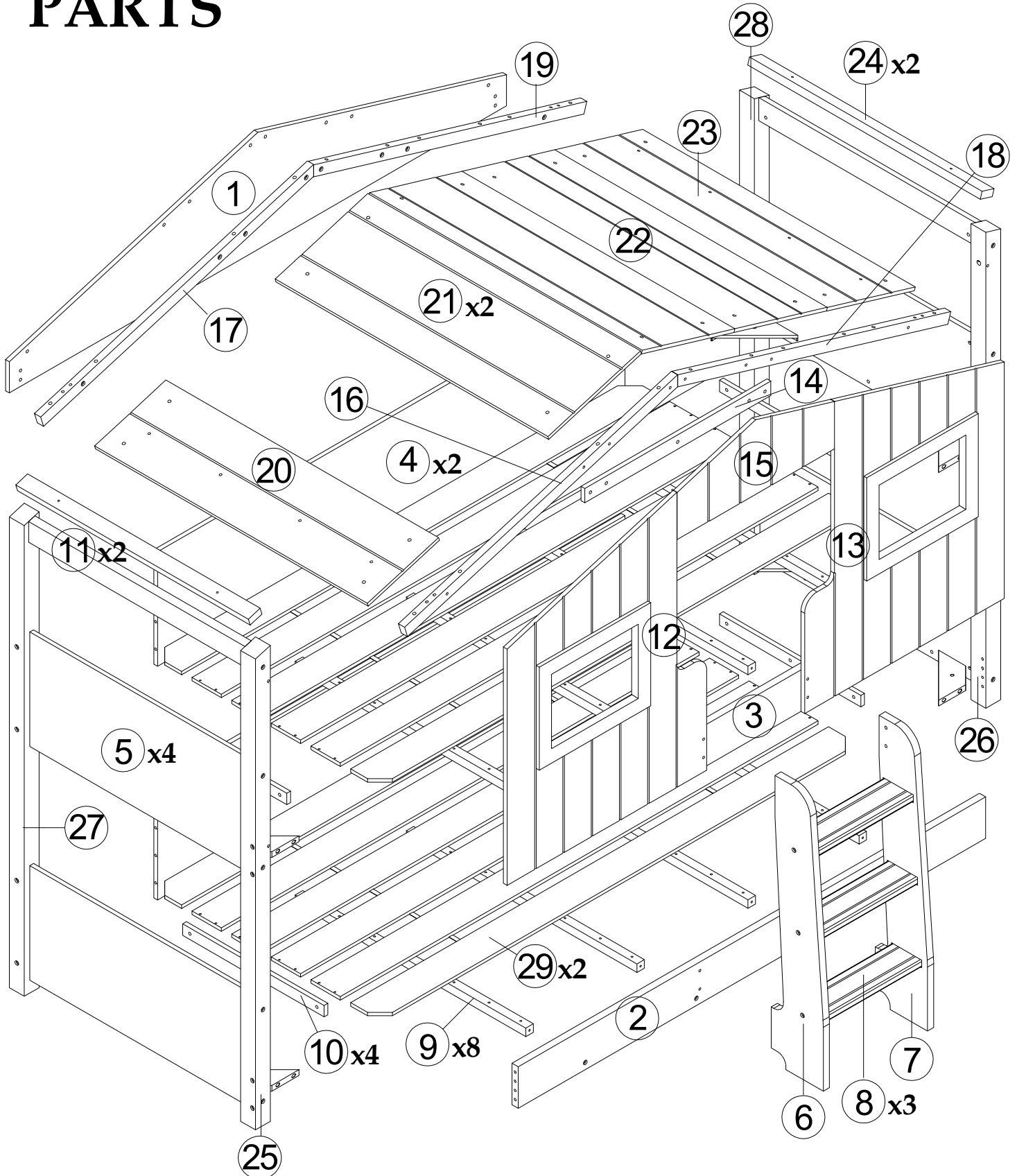
18x15x5mm

62x

We strongly advise that you do not use Power Tools, such as drills or electric screwdrivers during the assembly as this may cause irreparable damage and will invalidate your warranty.



# PARTS



Please ensure you carefully check all the pieces, should you have any concerns please contact the retailer before assembly commences. Please have your order number, details of the issue, the product code, and the batch number from the cartons as this will help us to resolve your issue much faster.

# Safety Advice

**WARNING** Do not use the bunk bed/high bed if any structural part is broken or missing.

**WARNING:** This bunk is intended for use by children only, with a maximum recommended weight of 75 Kg. Julian Bowen Ltd. cannot be held responsible for failure or damage to the bunk or personal injuries should this warning be ignored

Please take the time to carefully read through the whole of these instructions before you commence.

Keep these instructions for future reference.

Unpack, inspect and check off all of the contents.

Please dispose of all packaging safely.

Small component parts could choke a child if swallowed.

We strongly recommend that you keep children well away from the work area.

It would be sensible to lay a sheet or blanket on the floor where you intend to work to avoid scratching this product and to protect your floor.

This product is heavy. Take extreme care when lifting to avoid personal injury or damage to the product.

Assemble the product as close to its intended final position in the room as possible.

Please check the contents of the boxes before attempting to assemble this product.

A full checklist of parts and fittings is given in pages 3 and 4 of this instruction leaflet.

**HANDY HINT:** If you keep the hardware in a bowl during assembly you will be less likely to lose

# Important Information

Ventilation of the room is necessary in order to keep the humidity low and to prevent mould in and around the bed.

Tighten firmly all the fittings when the assembly is complete.

The bed base is an integral and in dissociable part of the bed.

**WARNING:** High beds and the upper bed of bunk beds are not suitable for children under six years due to the risk of injury through falls.

**WARNING:** It is not safe to use this product if any part of the structure is missing or broken.

Always check fixings of the items and re-tighten all the screws periodically.

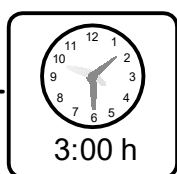
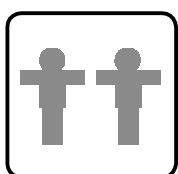
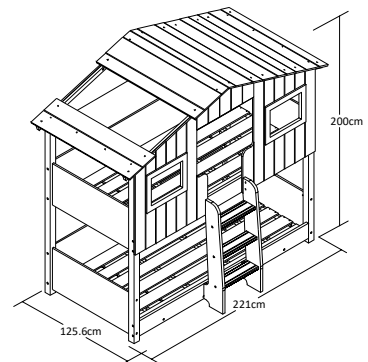
**WARNING:** Bunk beds and High beds can present a serious risk of injury from strangulation if not used correctly. Never attach or hang items to any part of the bunk bed that are not designed to be used with the bed, for example, but not limited to ropes, strings, cords, hooks, belts and bags.

**WARNING:** Children can become trapped between the bed and the wall, a roof pitch, the ceiling, adjoining pieces of furniture (e.g cupboards) and the like. To avoid risk of serious injury the distance between the top safety barrier and the adjoining structure shall not exceed 75 mm or shall be more than 230 mm. It is recommended that you always follow the manufacturer's instructions to assemble this product.

Always follow the manufacturer's recommended mattress size, as per these Instructions and the bunk bed / high bed maximum mattress height marking on the item: "91cm W x 190cm L with a Maximum Depth of 21.0cm."

It is necessary to frequently ventilate the room in order to keep the humidity low and to prevent mould in and around the bed.

This item conforms to European Safety Standards - BS EN 747-1: 2012 + A1:2015



## **ASSEMBLY ADVICE**

Please take the time to carefully read through these instructions before you commence.

Keep these instructions for future reference.

We advise that the product is assembled in the room it is intended for.

We advise that you keep the hardware in a bowl during assembly to avoid losing anything.

We strongly recommend that you keep children away from the work area.

Small component parts could choke a child if swallowed.

We recommend you use a sheet or blanket to protect both floor and product through the assembly stages.

This product is heavy, and we recommend a 2 person lift to avoid personal injury or damage to the product.

Never push or pull the product as this could cause both personal injury or irreparable damage to product or floor.

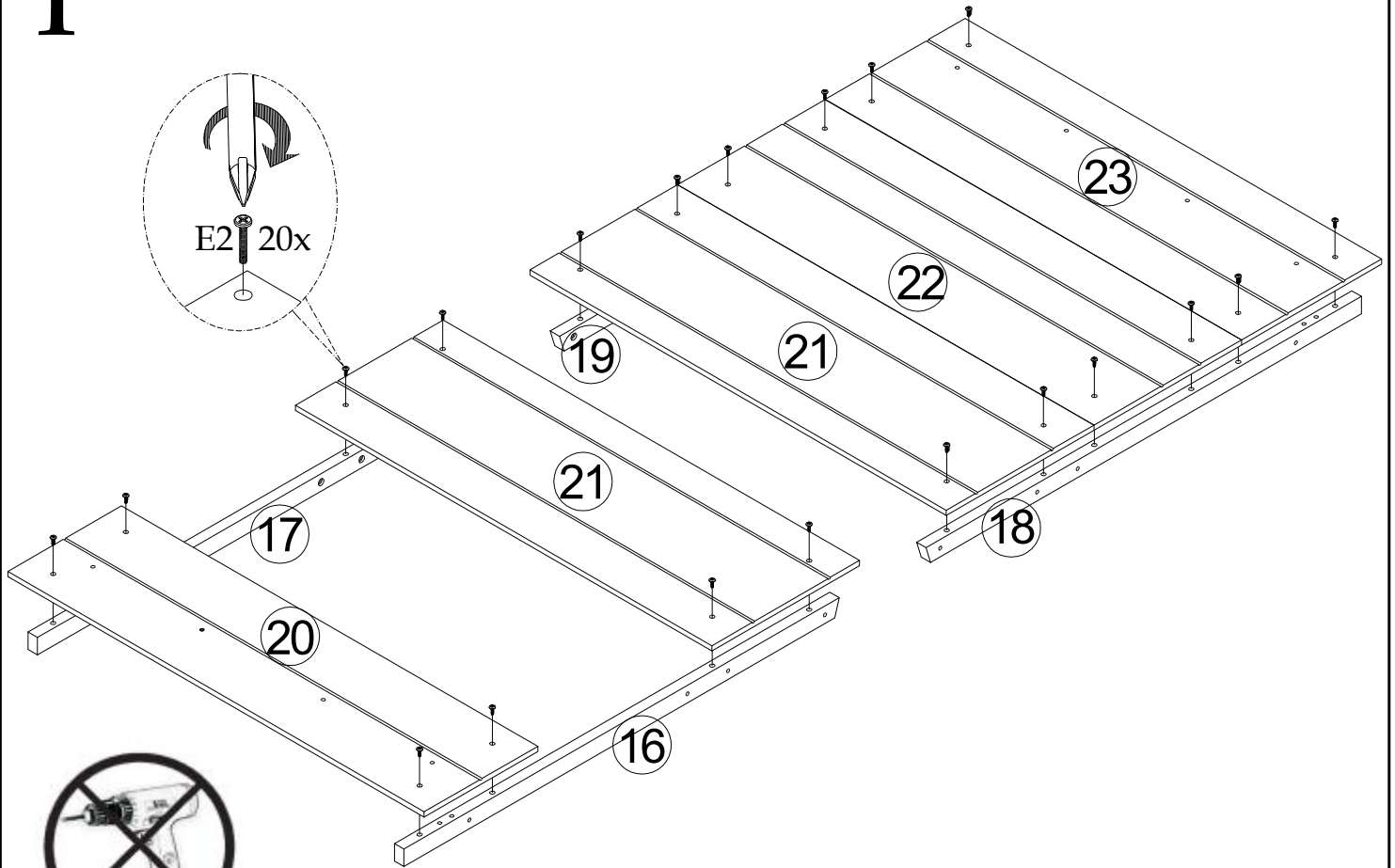
We have tried to make this piece of furniture easy to assemble if the instructions are followed carefully.

In the unlikely event that you have problems with assembling the product or have missing or damaged parts, please contact your retailer and we will assist them in rectifying the problem as quickly as possible.

Please remember we strongly urge you **DO NOT** use power tools such as drill or electric screwdrivers as this could cause irreparable damage to your product and will invalidate your warranty.

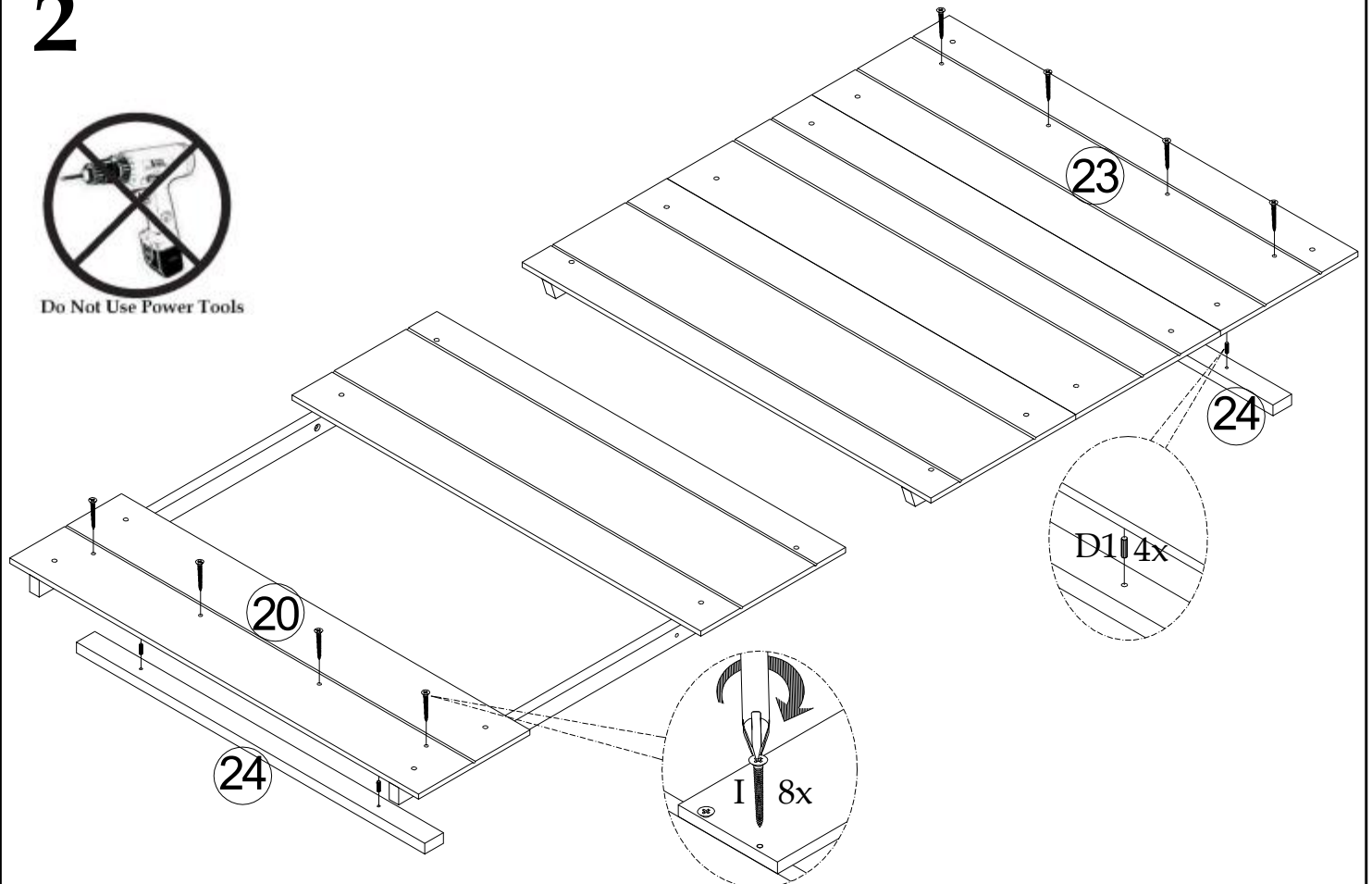


# 1



Do Not Use Power Tools

# 2



Do Not Use Power Tools

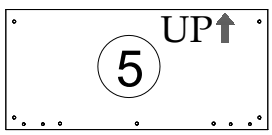
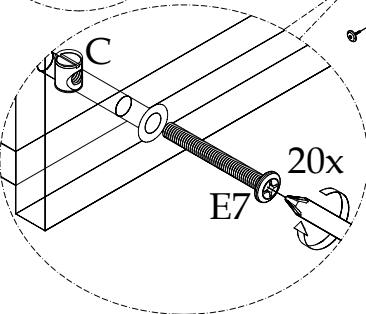
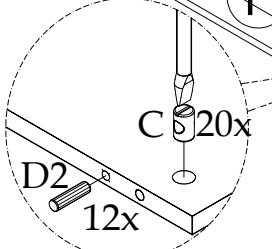
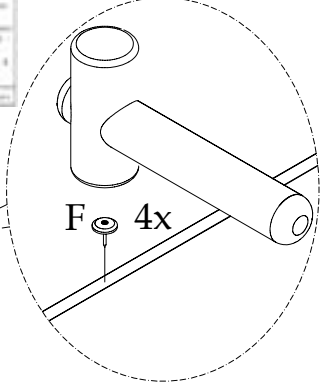
# 3

	MODEL NO.	QUALIFICATION LABEL
	Product Code: 91139	This bed set will be assembled by an authorized retailer only in its complete form.
	Product Name: 6+ Bed Set	Product Code: 91139
	Product Description: 6+ Bed Set	Product Code: 91139
	Product Code: 91139	Product Code: 91139
	Product Code: 91139	Product Code: 91139
	Product Code: 91139	Product Code: 91139

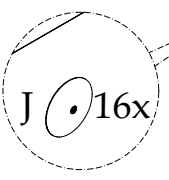
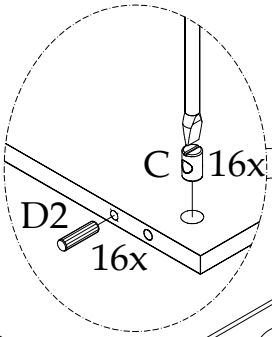
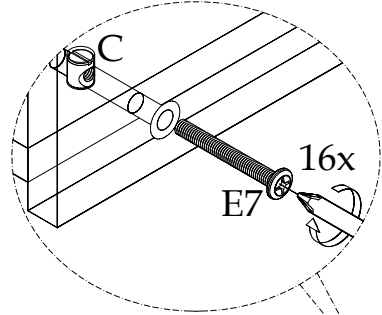
Maximum Mattress Height

↑

THESE LABELS ARE NOT TO BE REMOVED



# 4



	MODEL NO.	QUALIFICATION LABEL
	Product Code: 91139	This bed set will be assembled by an authorized retailer only in its complete form.
	Product Name: 6+ Bed Set	Product Code: 91139
	Product Description: 6+ Bed Set	Product Code: 91139
	Product Code: 91139	Product Code: 91139
	Product Code: 91139	Product Code: 91139
	Product Code: 91139	Product Code: 91139

Maximum Mattress Height

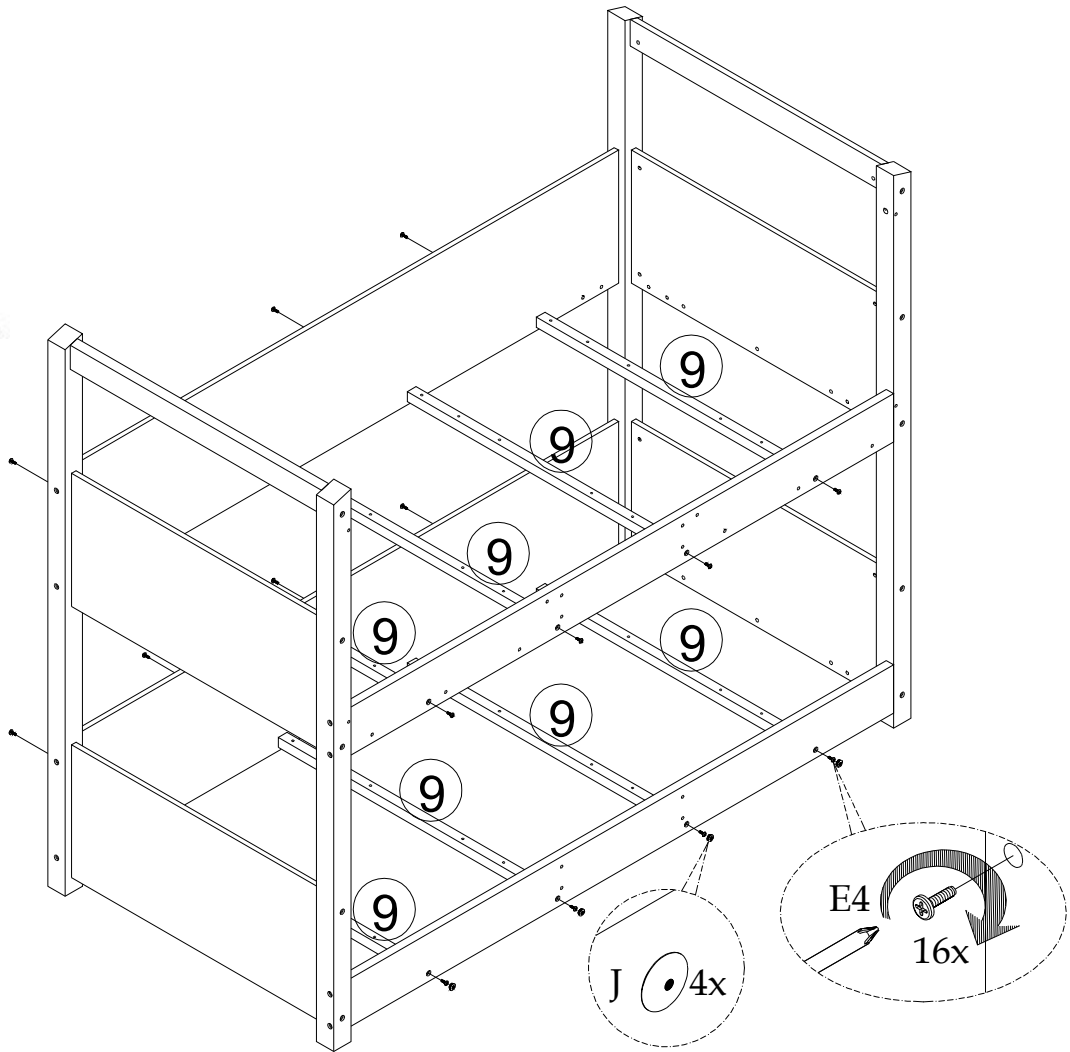
↑

THESE LABELS ARE NOT TO BE REMOVED

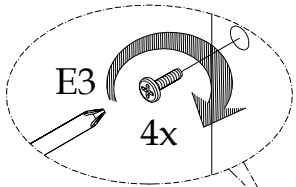
# 5



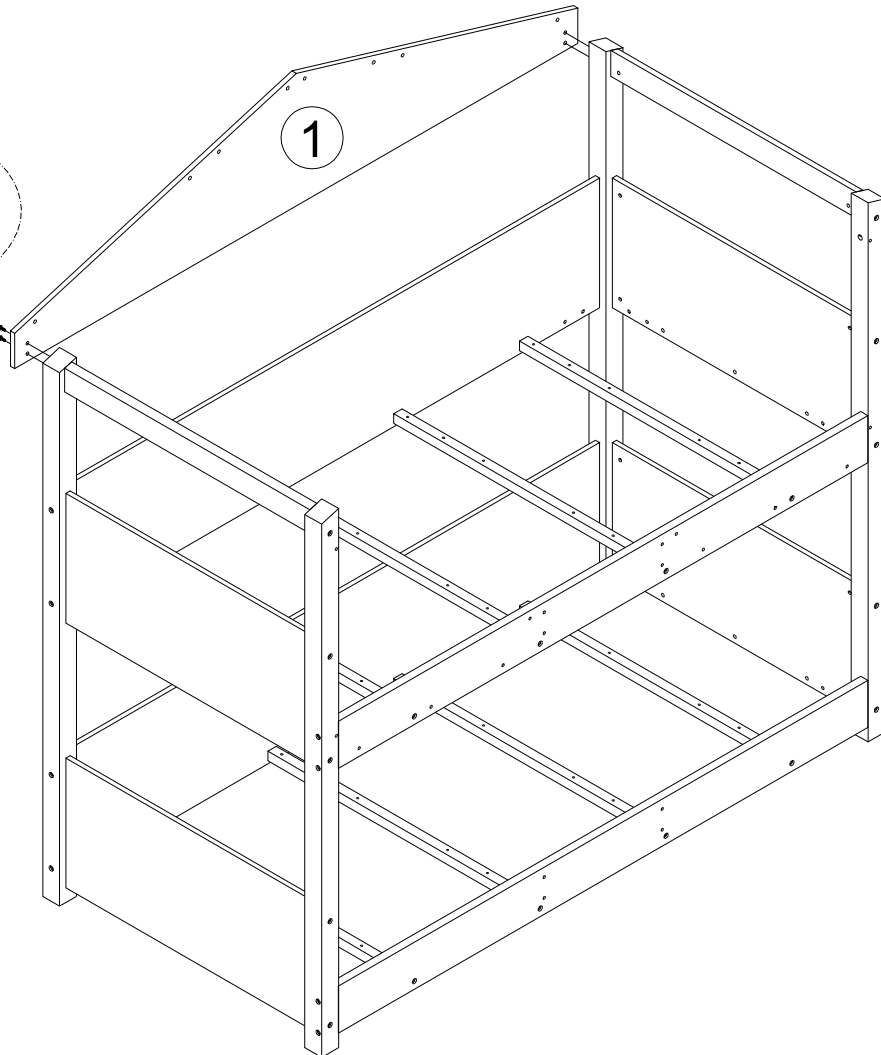
Do Not Use Power Tools



# 6



E3  
4x

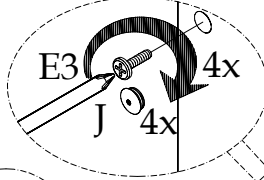


Do Not Use Power Tools



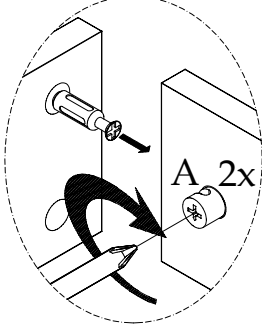
# 7

## STEP 2

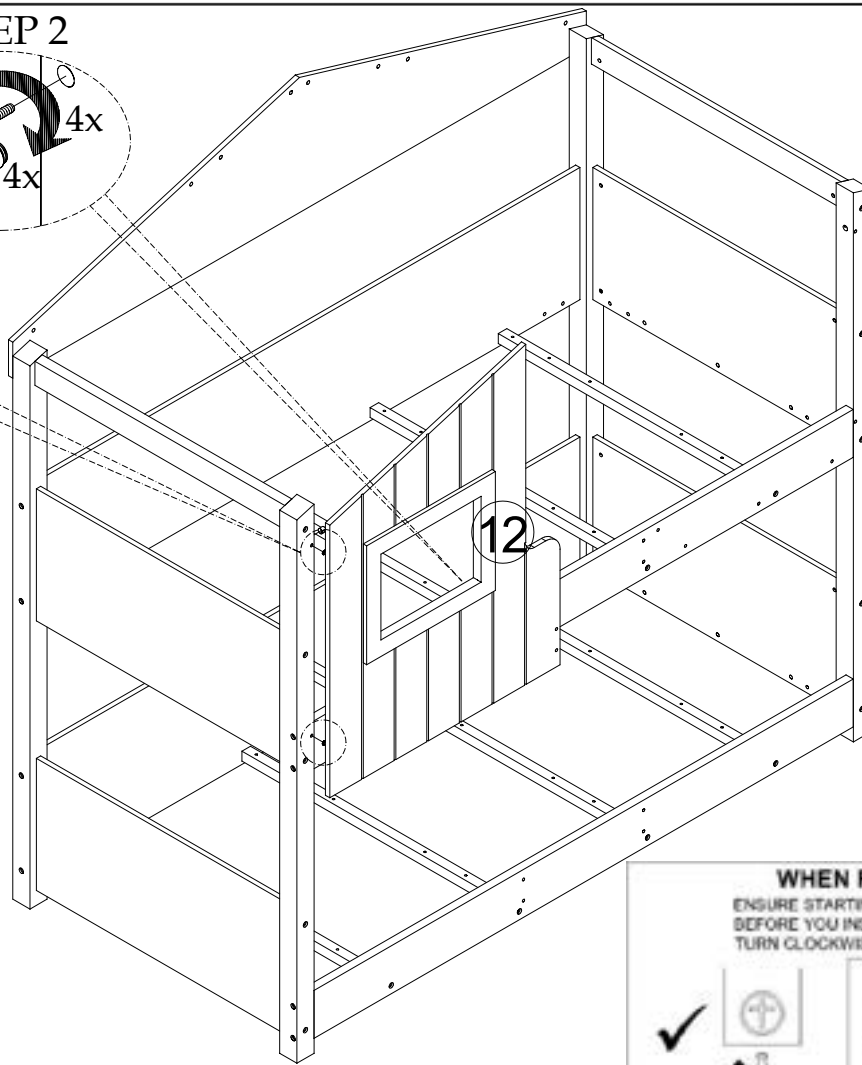


B 2x

## STEP 1



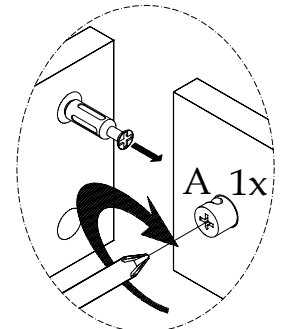
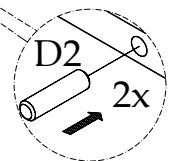
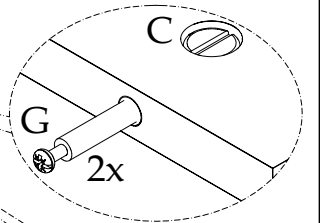
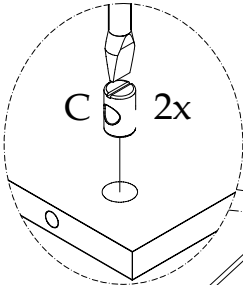
Do Not Use Power Tools



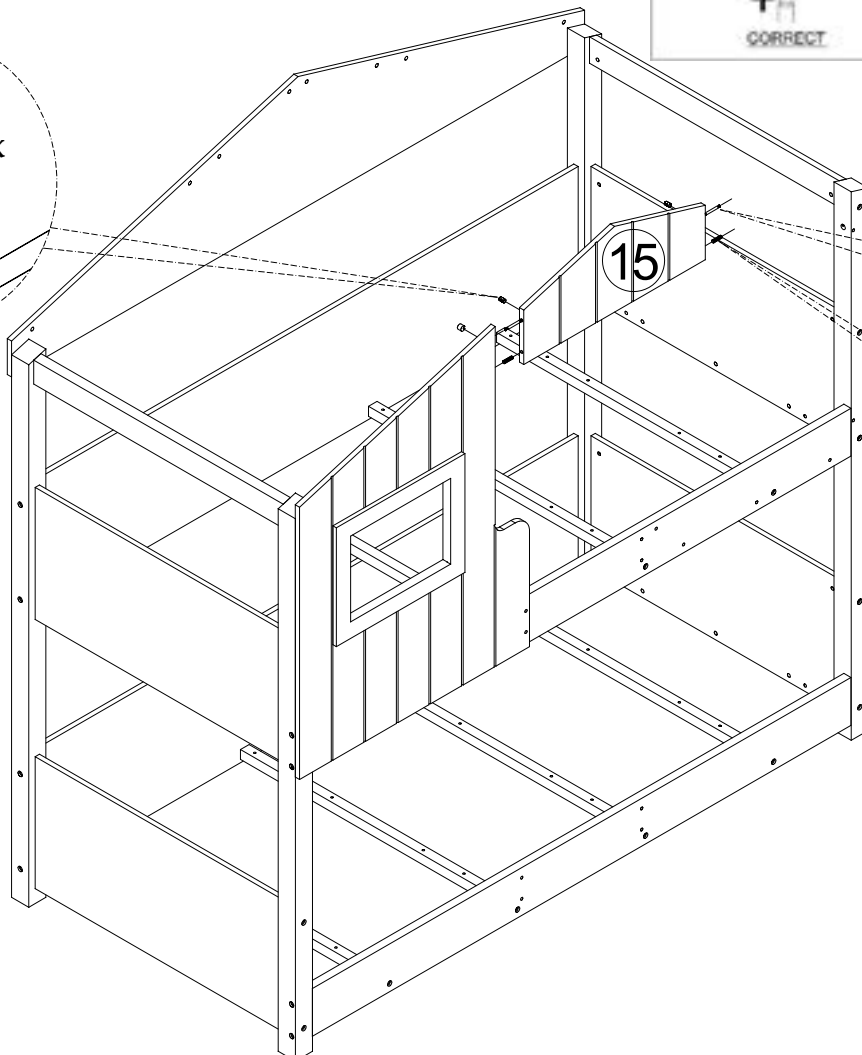
**WHEN FITTING CAMS**  
ENSURE STARTING POSITION IS CORRECT  
BEFORE YOU INSERT CONNECTING BOLT  
TURN CLOCKWISE UNTIL SECURE

✓		✗
↑		
CORRECT	WRONG	

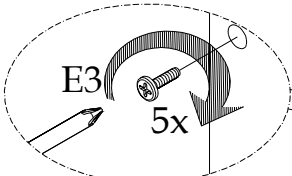
# 8



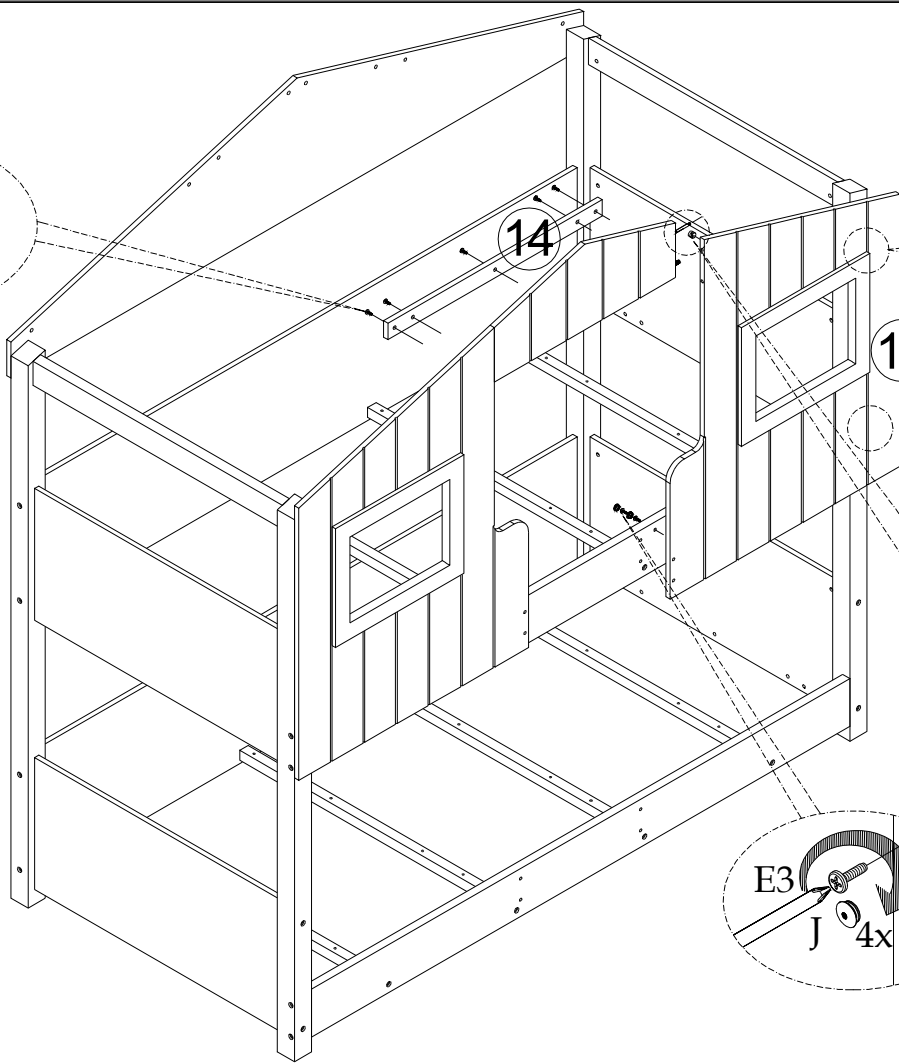
Do Not Use Power Tools



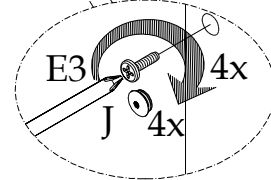
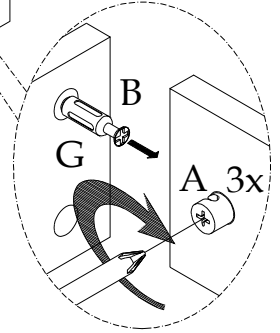
9



STEP 2

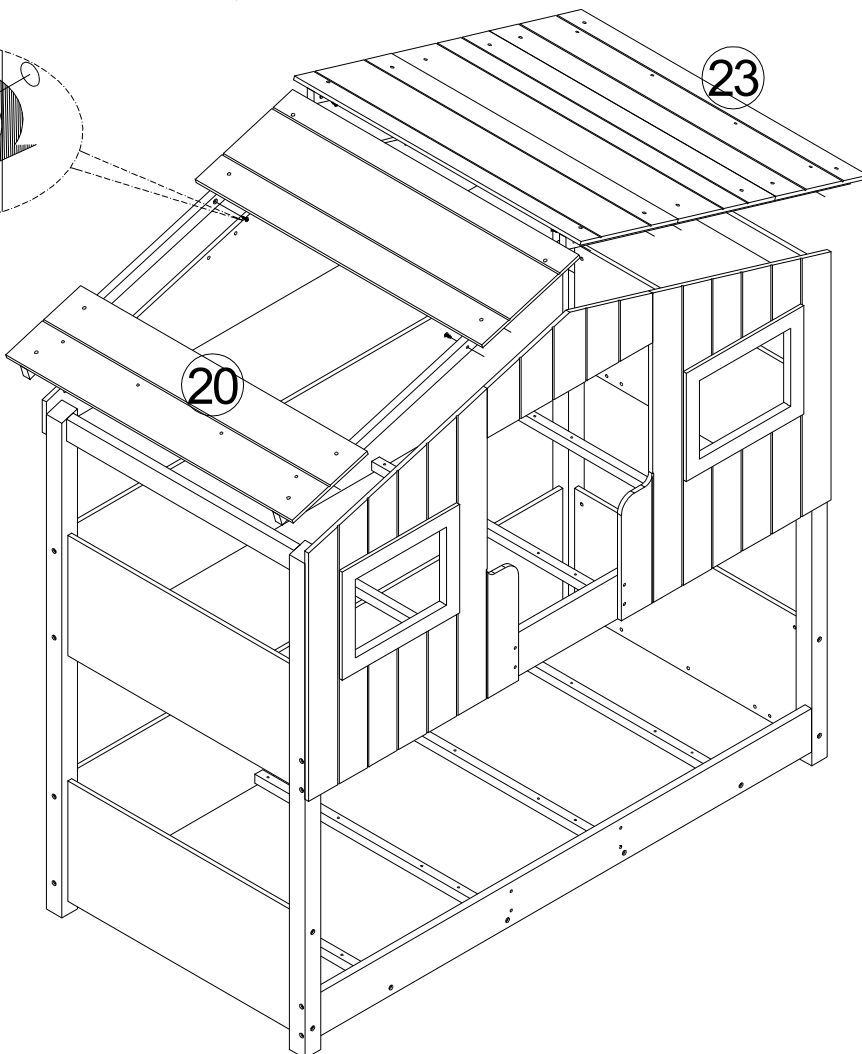
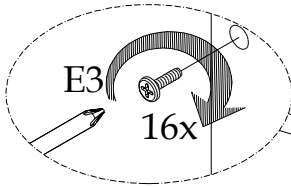


STEP 1



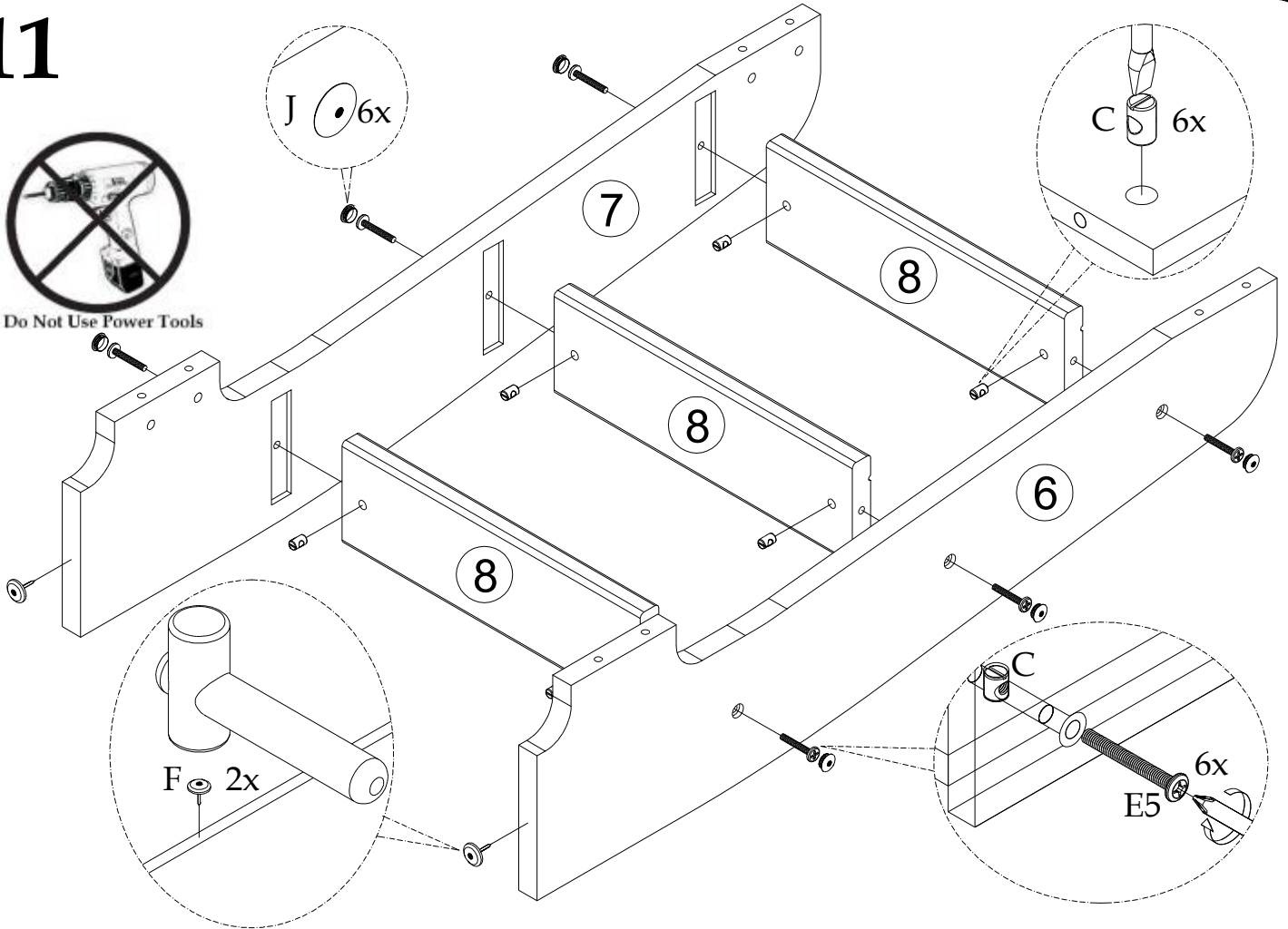
Do Not Use Power Tools

10

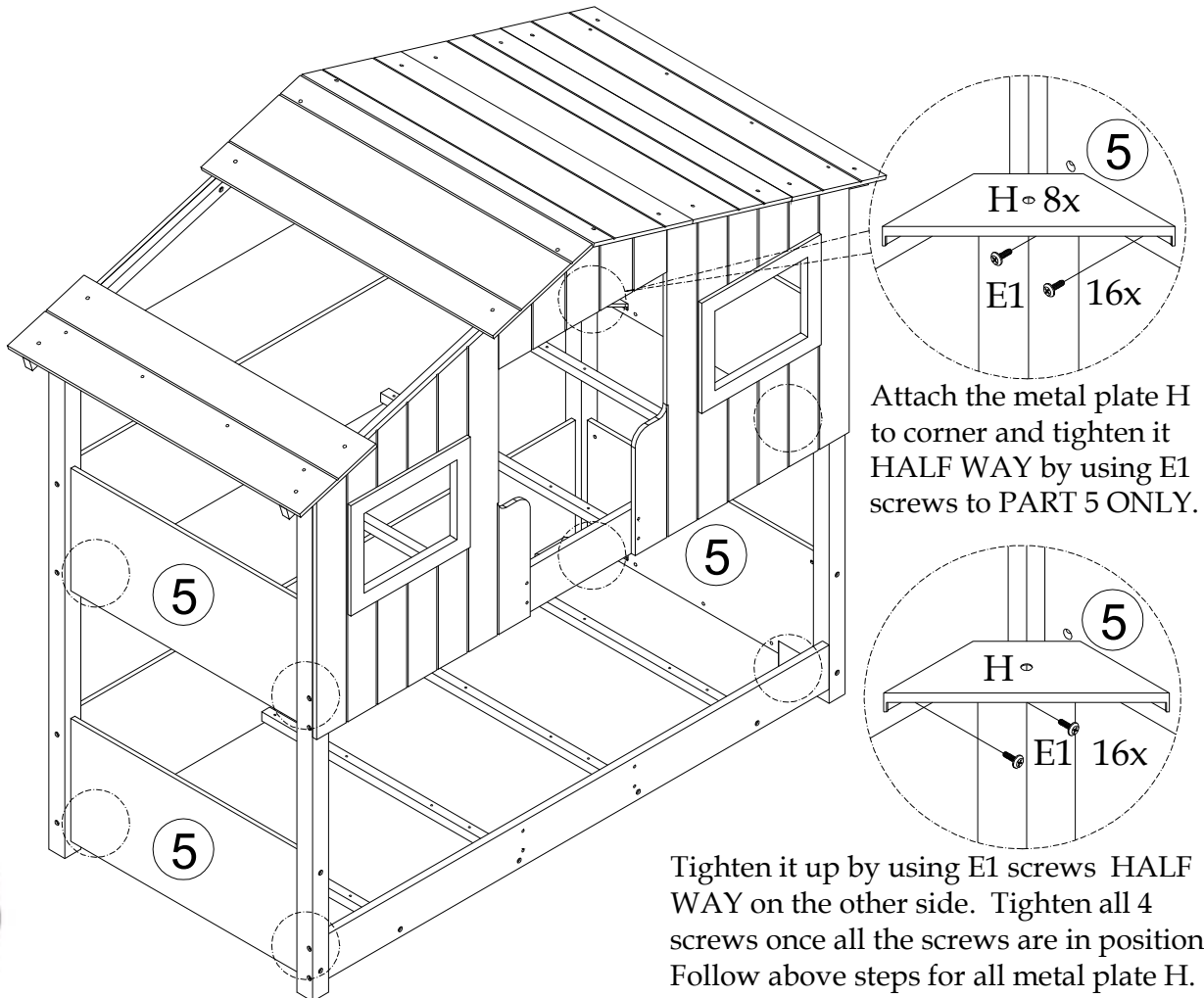


Do Not Use Power Tools

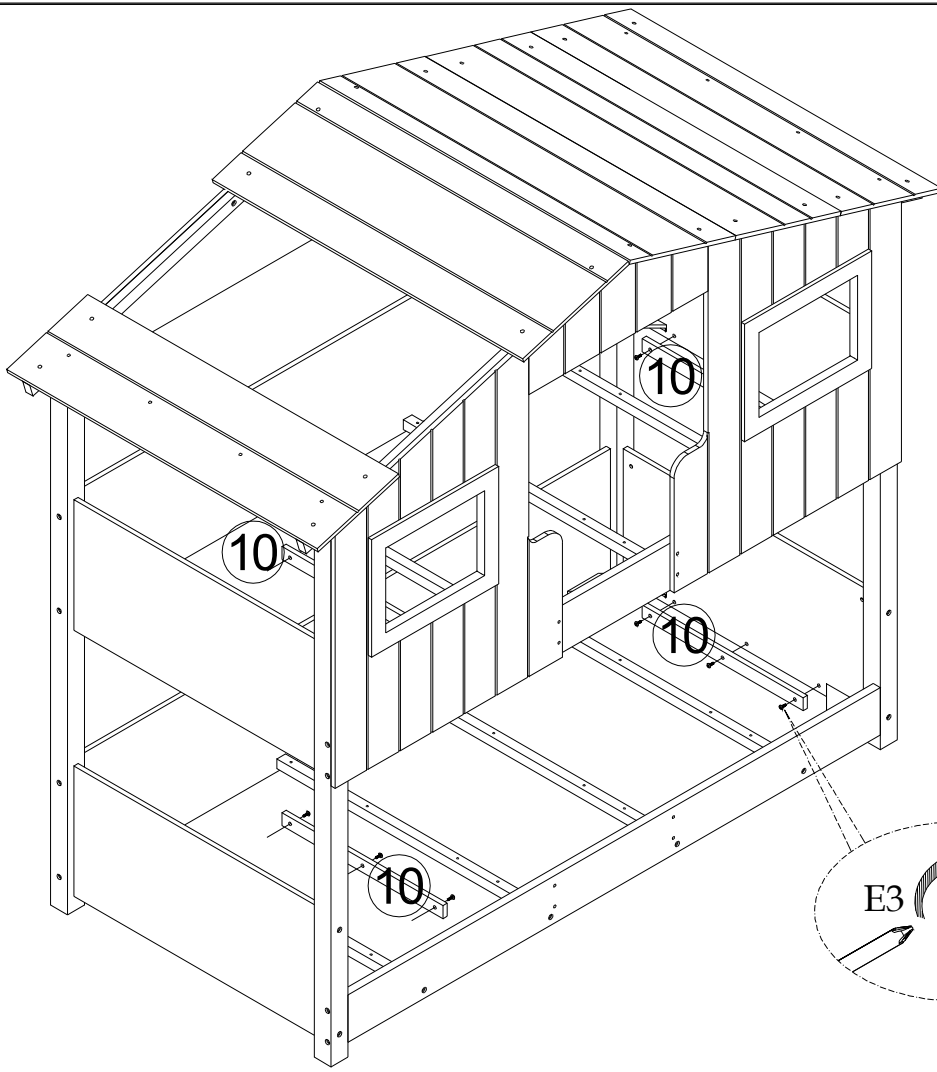
# 11



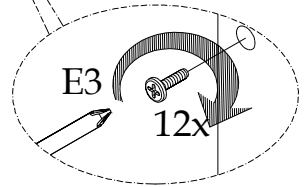
# 12



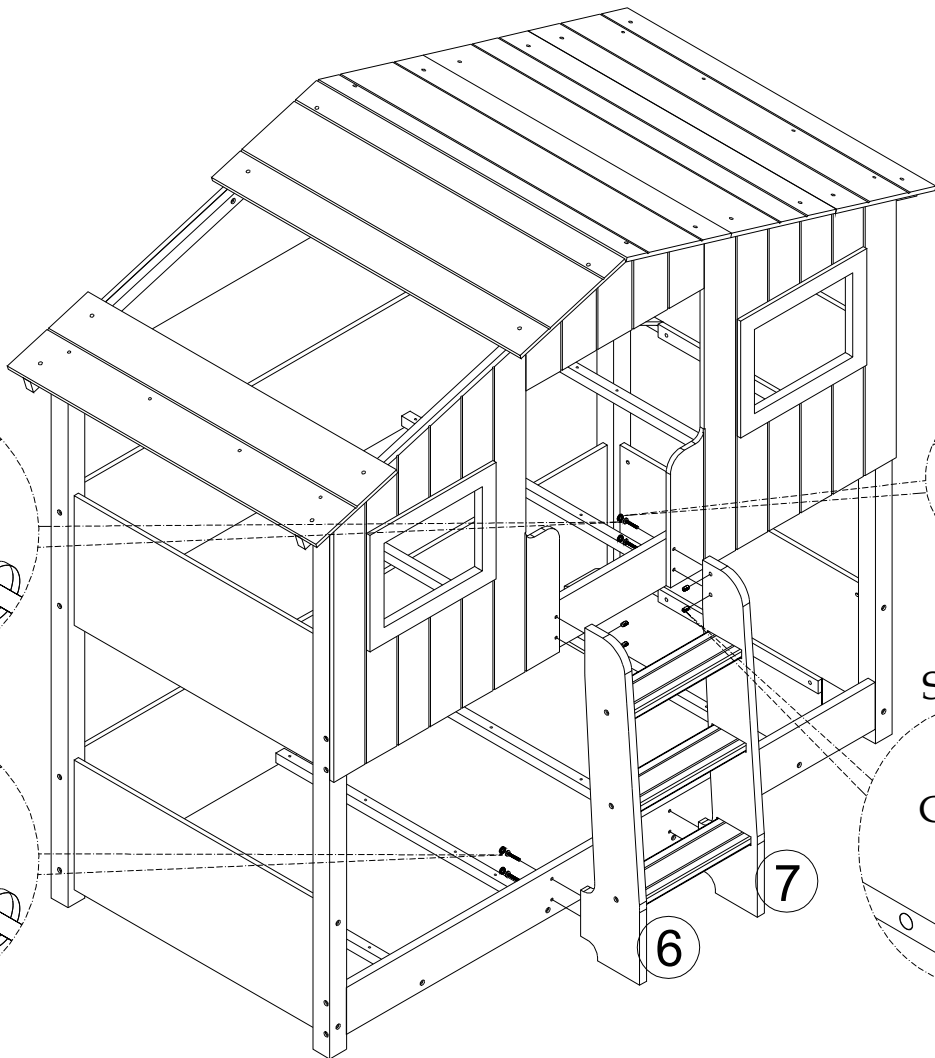
# 13



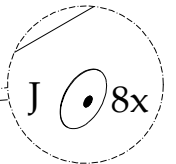
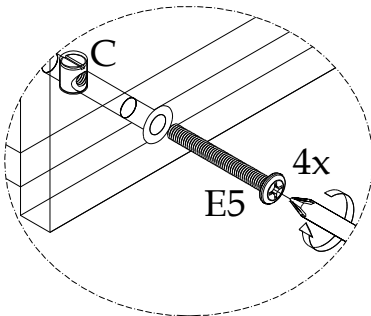
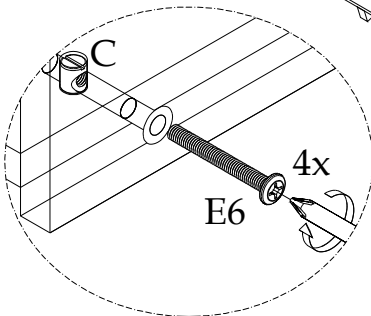
Do Not Use Power Tools



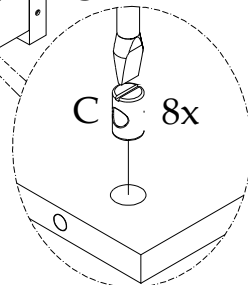
# 14



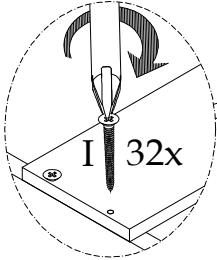
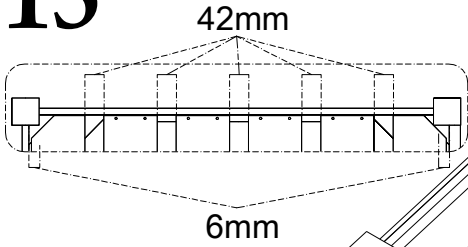
Do Not Use Power Tools



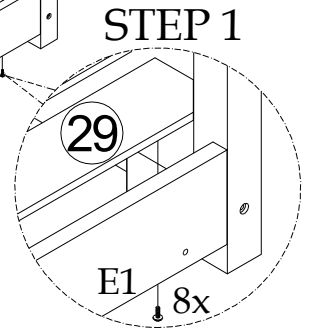
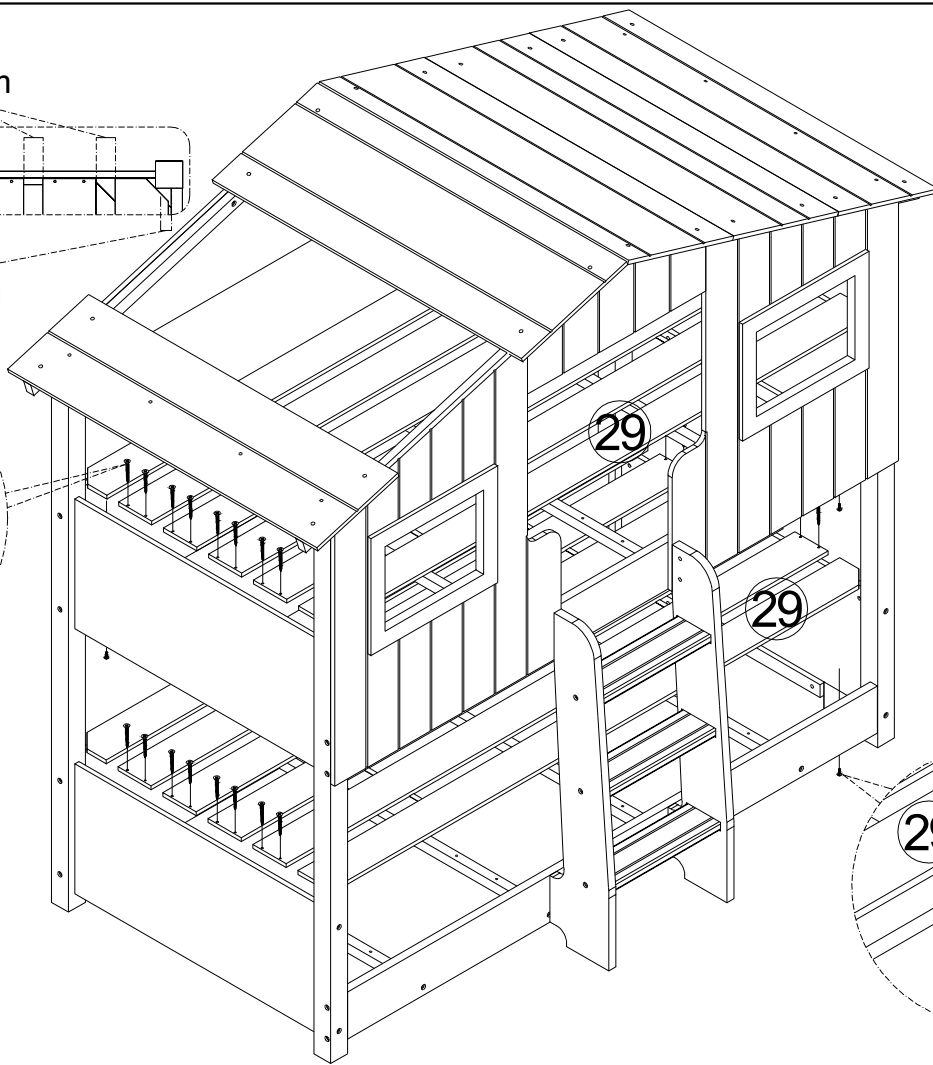
STEP 1



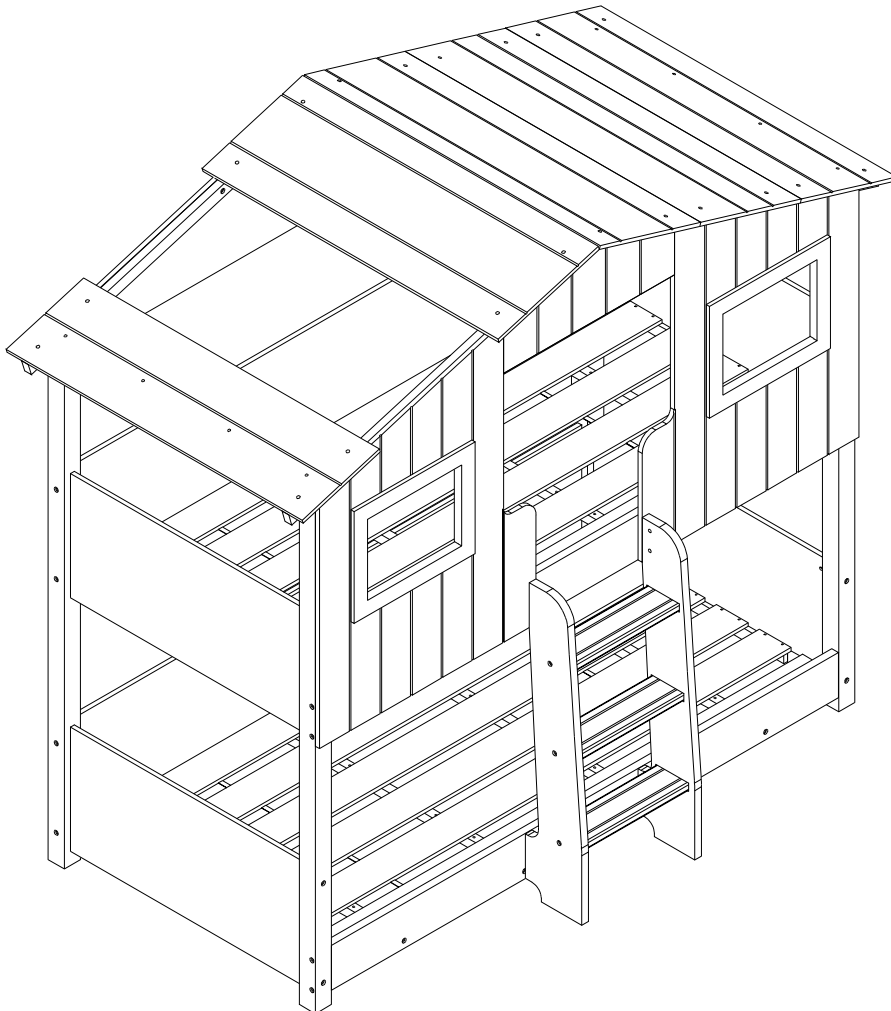
# 15



STEP 2



# 16



Your Bunk Bed Is Now Fully Assembled And Ready For Use.

## **GENERAL CARE & MAINTENANCE**

We advise that when cleaning the product that a damp cloth is used.

Avoid the use of all household cleaners and abrasive.

Never push or drag the furniture.

Never attempt to move the furniture when fully loaded.

We advise that periodically all fixing are re-tightened.

Please dispose of all packaging safely.

## General Care & Maintenance

Wipe clean with a slightly damp cloth.  
Avoid the use of all household cleaners and abrasives.

Periodically check all screw & fixings to ensure they are secure.

When moving your product, carefully lift into place. Never drag or push the product across the floor as this will cause damage to the joints. If the product is used on hard flooring, such as wood or laminated floor, you must place some protection under the legs to stop the product from moving. If this is not adhered to, it could result in failure to the product that will invalidate the warranty.

For more information on cleaning and product care visit:  
<https://www.happybeds.co.uk/help-and-advice>

## Notes

In the unlikely event that you have problems putting this product together or have damaged or missing parts, please contact us by visiting:  
<https://www.happybeds.co.uk/customer-service>