

(Not metal)

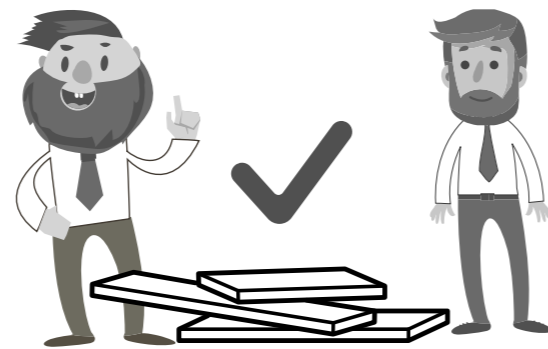
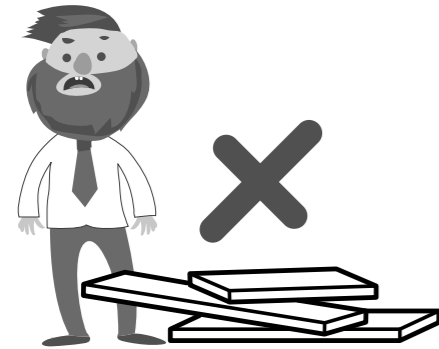
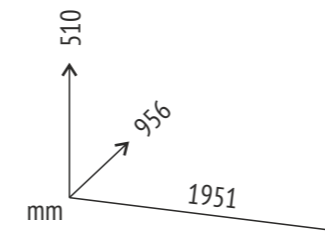
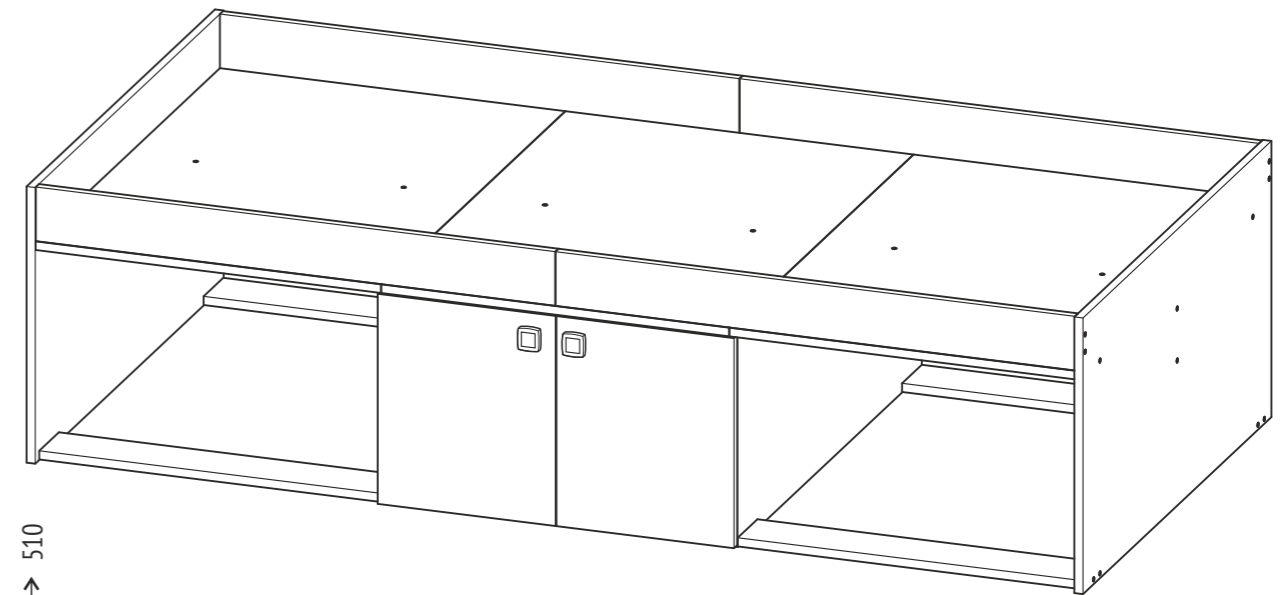
These tools are not necessary, but may help to assemble certain parts of the product.

Do NOT use any power tools as this may damage the frame.

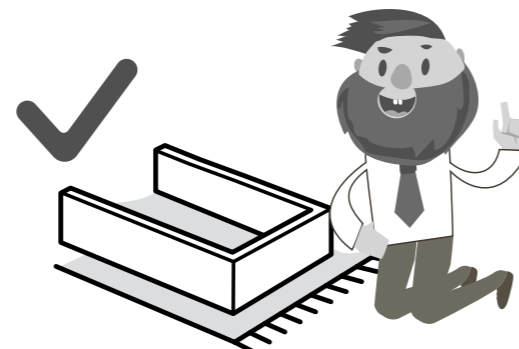
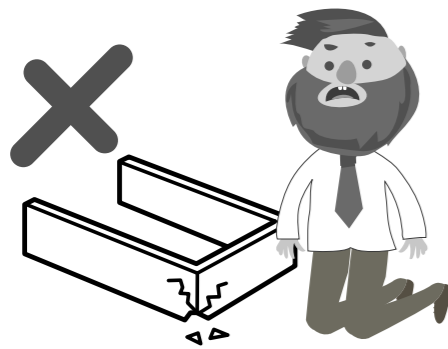


happybeds

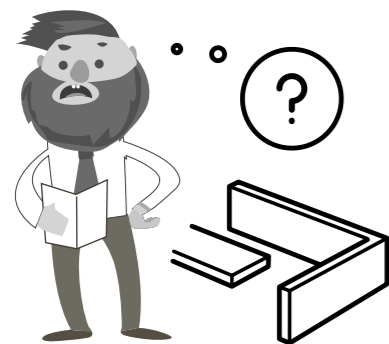
Arctic Wooden Low Sleeper Storage Bed



This product or some parts of this product will be heavy. Please use an assistant when lifting.



Never drag or push the pieces across a hard or stone floor as this will cause damage to the joints. Use a carpet or a rug for extra care.



If you have problems assembling or have damaged or missing pieces, please contact us by visiting:

<https://www.happybeds.co.uk/customer-service>

Important to read before assembly:

Please check the contents of the box before attempting to assemble this product. The instructions will have a checklist of parts and fittings.

Only adults should assemble this product.

Assemble the product as close to its intended final location/room as possible.

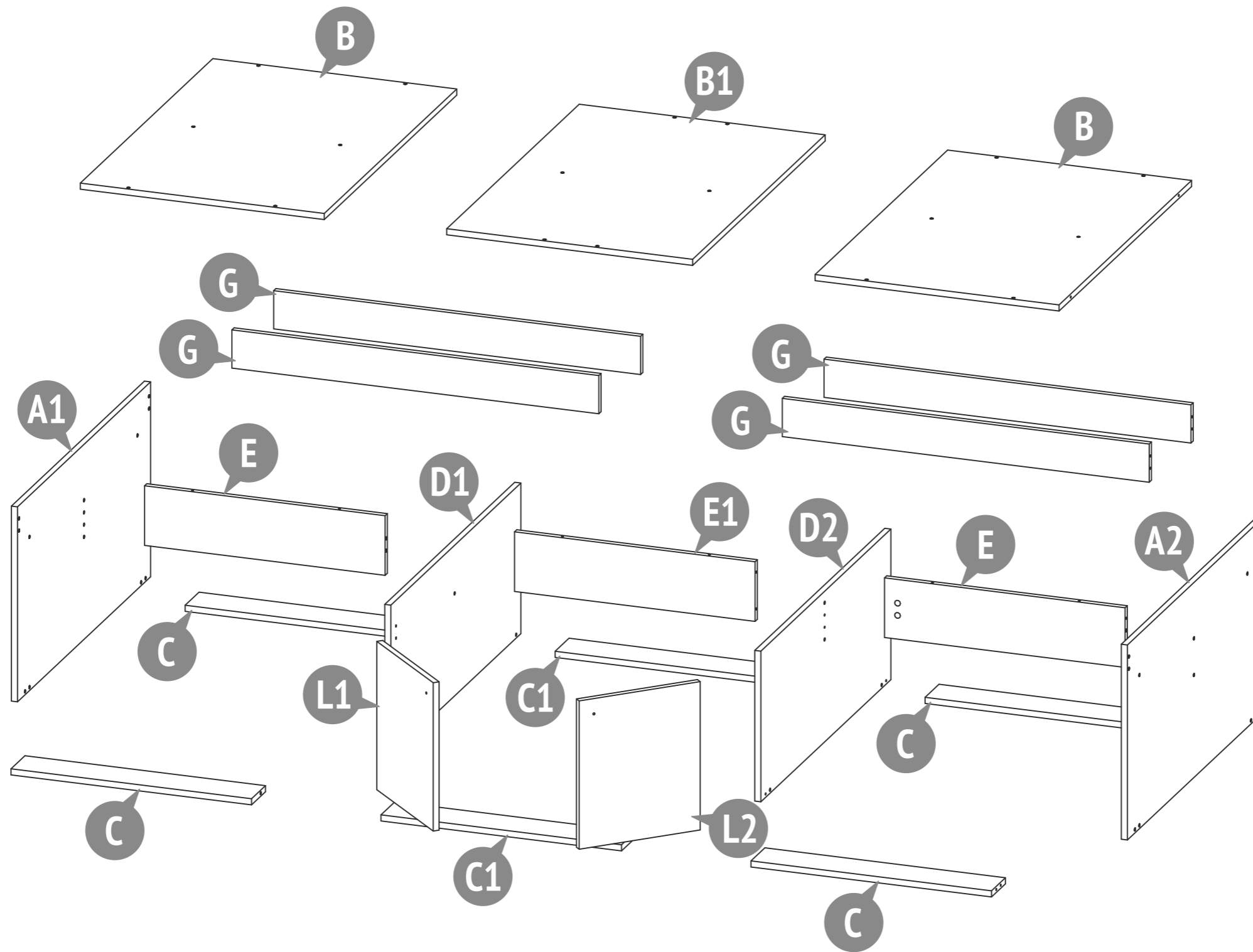
Do NOT use any power tools as this may damage the frame.

You may require an assistant when lifting, as this product or some parts of this product may be heavy


Please keep small parts out of reach of children.

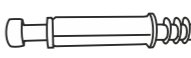
The back page also details some more information on safety, care and maintenance.


KIDSAW




Number on the picture Nummer in der Zeichnung Nombre à la figure Numero en el dibujo Il numero alla figura Número na figura	Number of parts in the product Stückzahl der Teile im Produkt Nombre des détails du produit Cantidad de elementos del producto La quantità dei dettagli nel prodotto Quantidade de peças	Parts description Bezeichnung Names des pièces	Nombre de los elementos La nomenclatura dei dettagli Designação das peças	Laying Verpackung Pose		El embalaje Posa Estilo	
				Box Karton Placer	1 Lugar Il posto Espaço	Box Karton Placer	2 Lugar Il posto Espaço
A1	1	Left bed's back Kopfteil Jugendbett links Tête du lit gauche	El cabecero izquierdo La spalliera del letto sinistra Cabeceira de cama esquerda	+			
A2	1	Right bed's back Kopfteil Jugendbett rechts Tête du lit droite	El cabecero derecho La spalliera del letto destra Cabeceira de cama direita	+			
B	2	Bed's bottom Lattenrost Fond du lit	El fondo de la cuna Il fondo del letto Fundo da cama			+	
B1	1	Bed's bottom Lattenrost Fond du lit	El fondo de la cuna Il fondo del letto Fundo da cama			+	
C	4	Additional bar Auflageleiste Barre	La barra La barretta Barra	+			
C1	2	Additional bar Auflageleiste Barre	La barra La barretta Barra	+			
D1	1	Left crossbar Querträger links Barre transversale avant gauche	El estante transverso izquierdo Il blocco di sostegno orizzontale sinistro Viga transversal esquerda			+	
D2	1	Right crossbar Querträger rechts Barre transversale avant droite	El estante transverso derecho Il blocco di sostegno orizzontale destro Viga transversal direita			+	
E	2	Supporting bed's side Umboseite Jugendbett Support latéral du tiroir	El soporte Il longone dell'appoggio Barra de apoio	+			
E1	1	Supporting bed's side Umboseite Jugendbett Support latéral du tiroir	El soporte Il longone dell'appoggio Barra de apoio	+			
G	4	Bed side Seitengitter Protection	La barrera La barriera Barra de segurança			+	
L1	1	Left door Tür links Porte gauche	La puerta izquierda La porta sinistra Porta esquerda	+			
L2	1	Right door Tür rechts Porte droite	La puerta derecha La porta destra Porta direita	+			
	1	Set of fittings Satz Beschläge Kit d'accessoires	Conjunto de los accesorios Il completo della fornitura Kit de ferragens	+			


001 50 x 
 Confirmat screw 7 x 50
 Confirmat Schraube 7 x 50
 Vis confirmer 7 x 50
 El tornillo de rosca gruesa 7 x 50
 Il vito confirmato 7 x 50
 Parafuso confirmat 7 x 50


002 8 x 
 Eccentric pin
 Exzenterstift
 Tige d'excentrique
 El pasador excéntrico
 La barra dell'excéntrico
 Rosca soberba

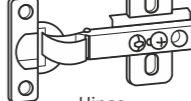
003 8 x 
 Eccentric
 Exzenter
 Excentrique
 El excéntrico
 L'excéntrico
 Tambor


004 4 x 
 Dowel 10 x 40
 Holzdübel 10 x 40
 Goujons 10 x 40
 La clavija 10 x 40
 La spina 10 x 40
 Cavilha 10 x 40


005 2 x 
 Button handle
 Griff Knopf
 Poignée-bouton
 La manija-botón
 Manica-bottone
 Puxador

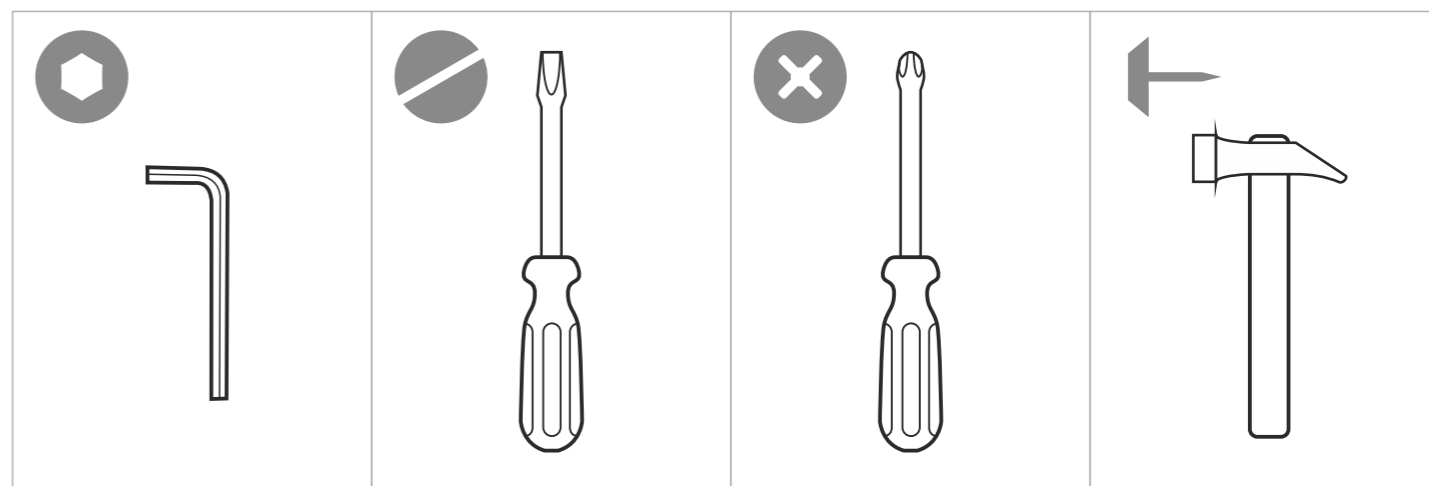
006 8 x 
 Toe nail
 Fußgleiter mit Nagel
 Patins avec clou
 El apoyo para el talón con el clavo
 La ralla con il chiodo
 O apoio para o calcanhar com o prego

007 8 x 
 Screw M6 x 12
 Gewindeschraube M6 x 12
 Vis M6 x 12
 La tuerca M6 x 12
 Il vito M6 x 12
 Parafuso M6 x 12

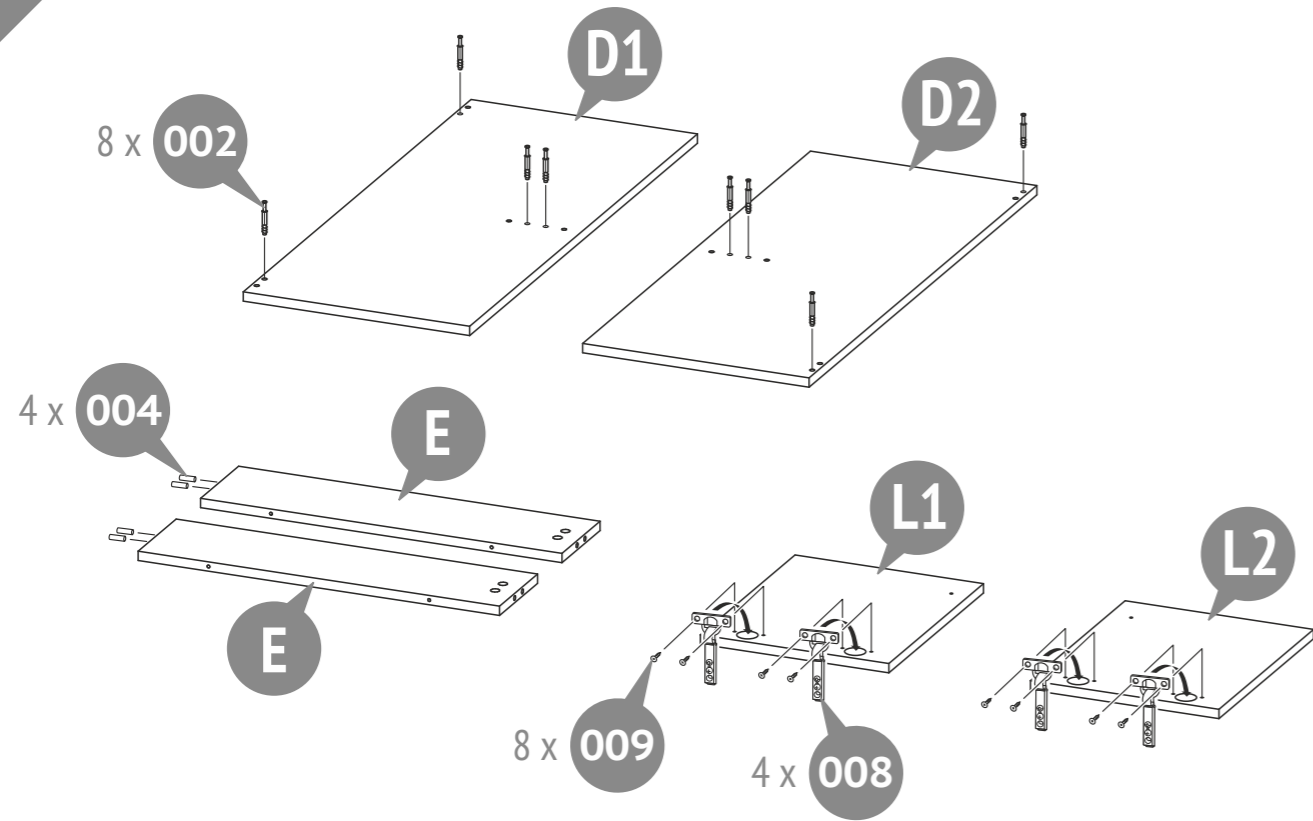
008 4 x 
 Hinge
 Scharnier
 Boucle
 La bisagra
 Il cardine
 Dobradiça

009 8 x 
 Screw 4 x 13
 Holzschraube 4 x 13
 Vissez 4 x 13
 El tornillo 4 x 13
 La vite 4 x 13
 Parafuso 4 x 13

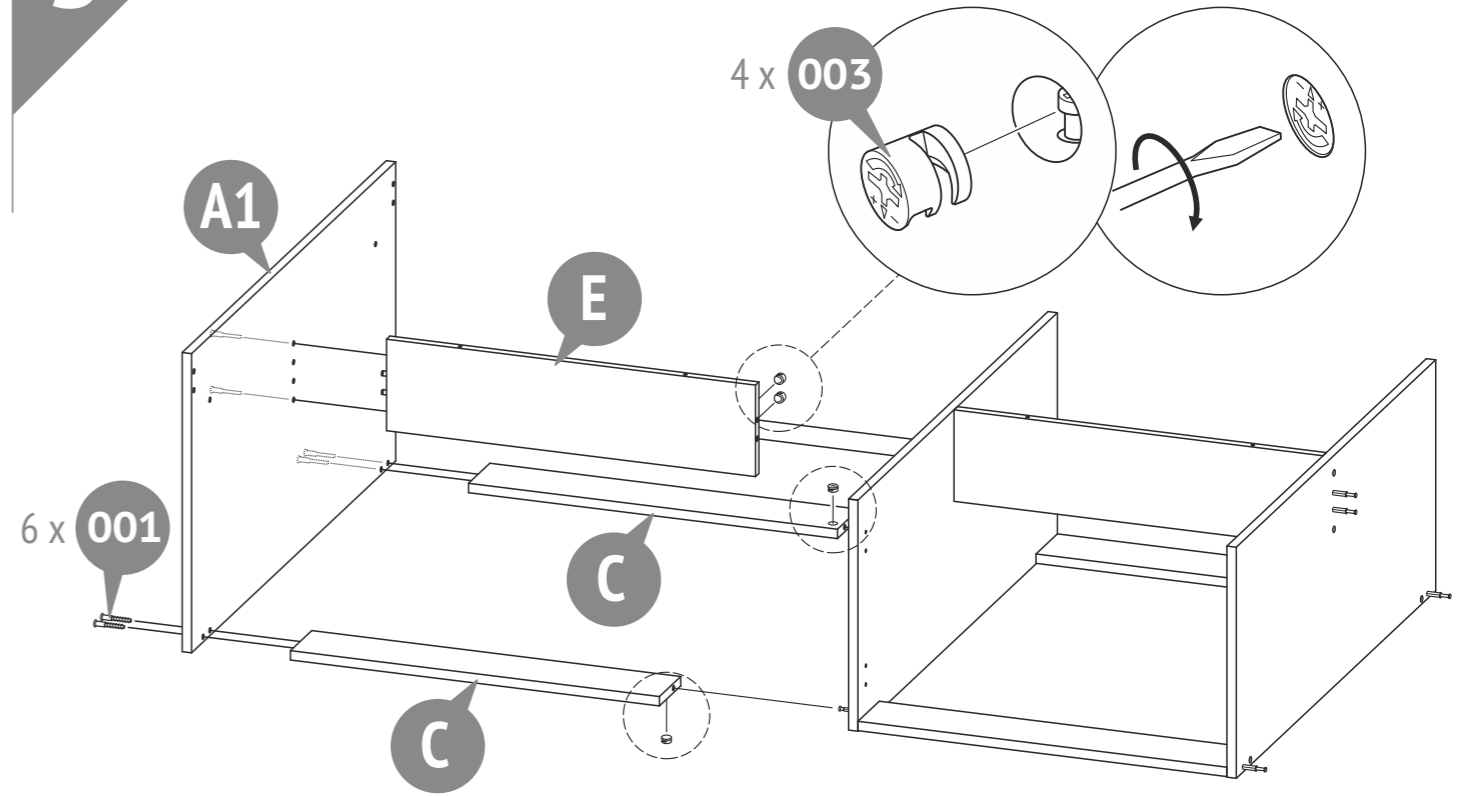
010 24 x 
 Protective cap
 Abdeckkappe
 Bouchon pour le confirmer
 La tapa del tornillo de rosca gruesa
 Il tappo di chiusura per il confirmato
 Tampão para os parafusos confirmat



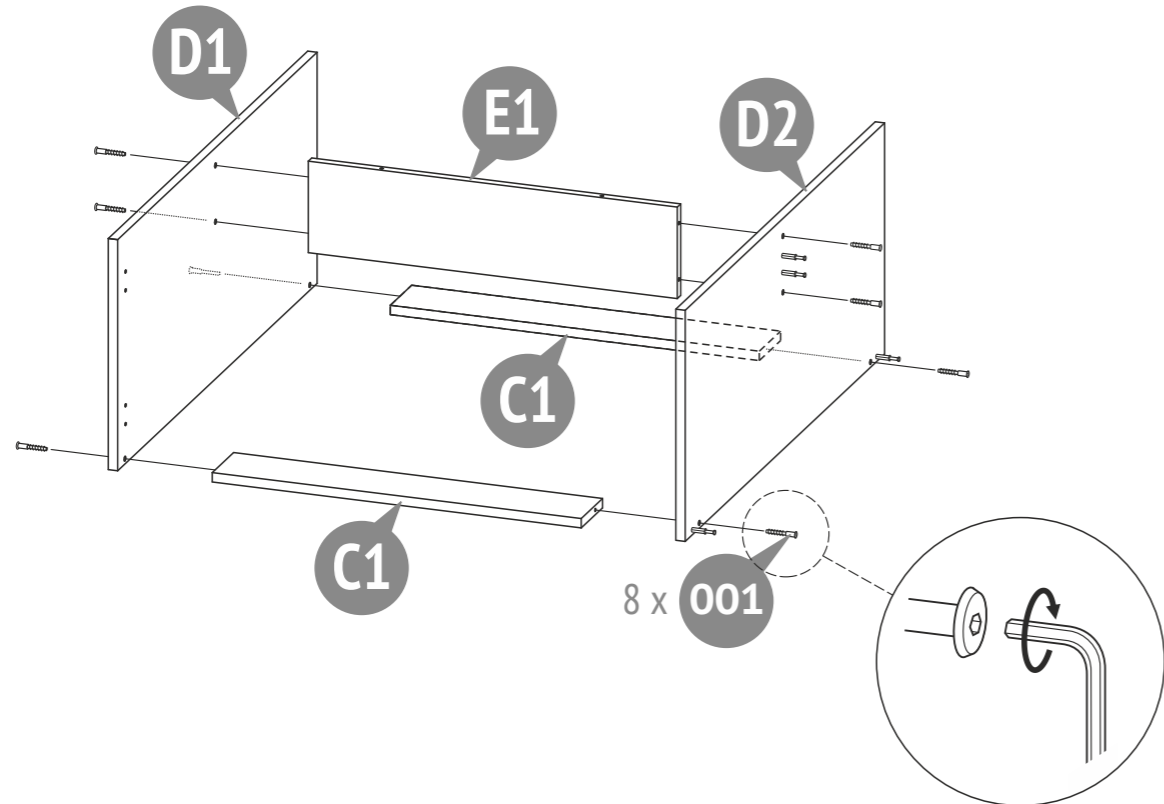
1



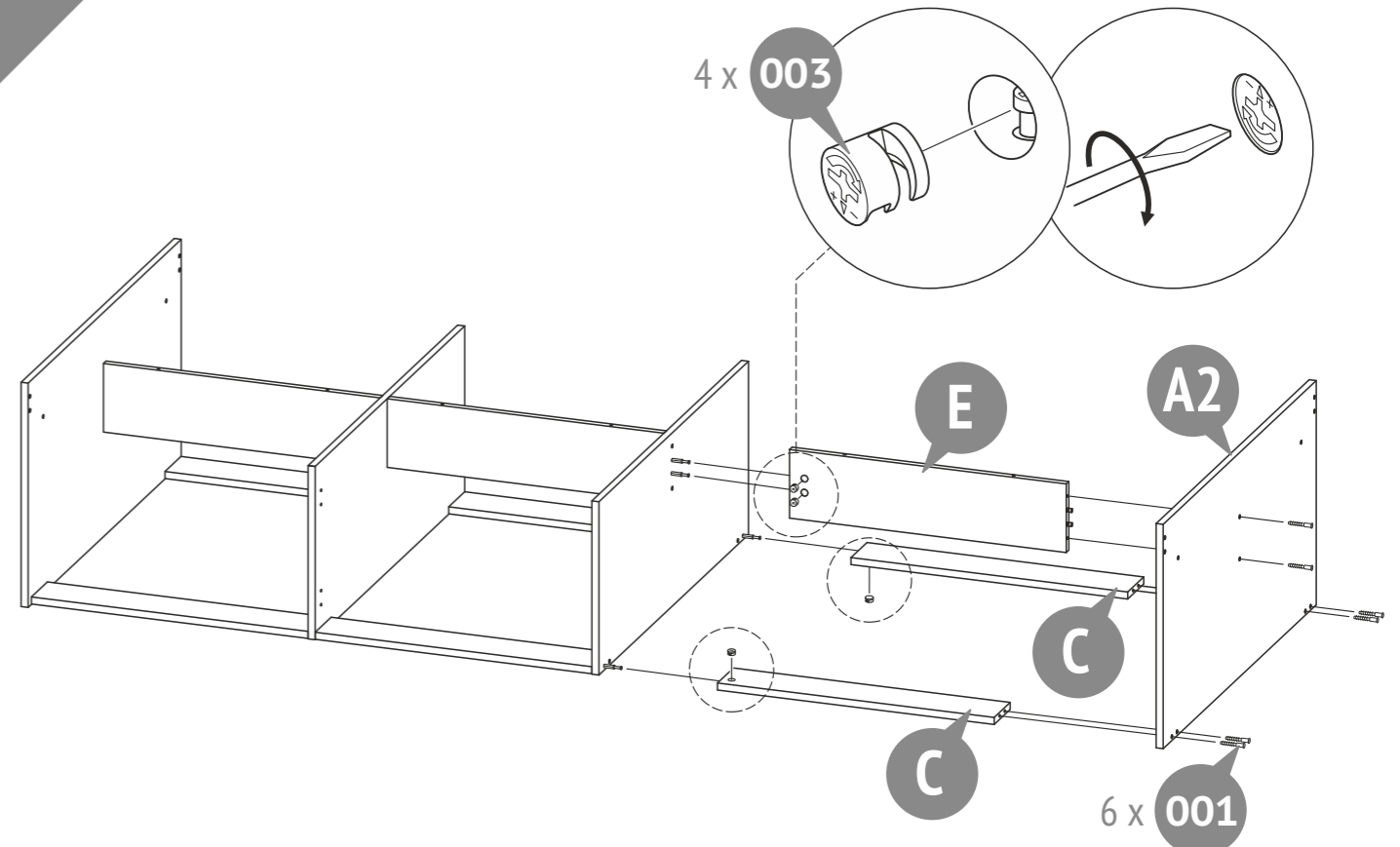
3



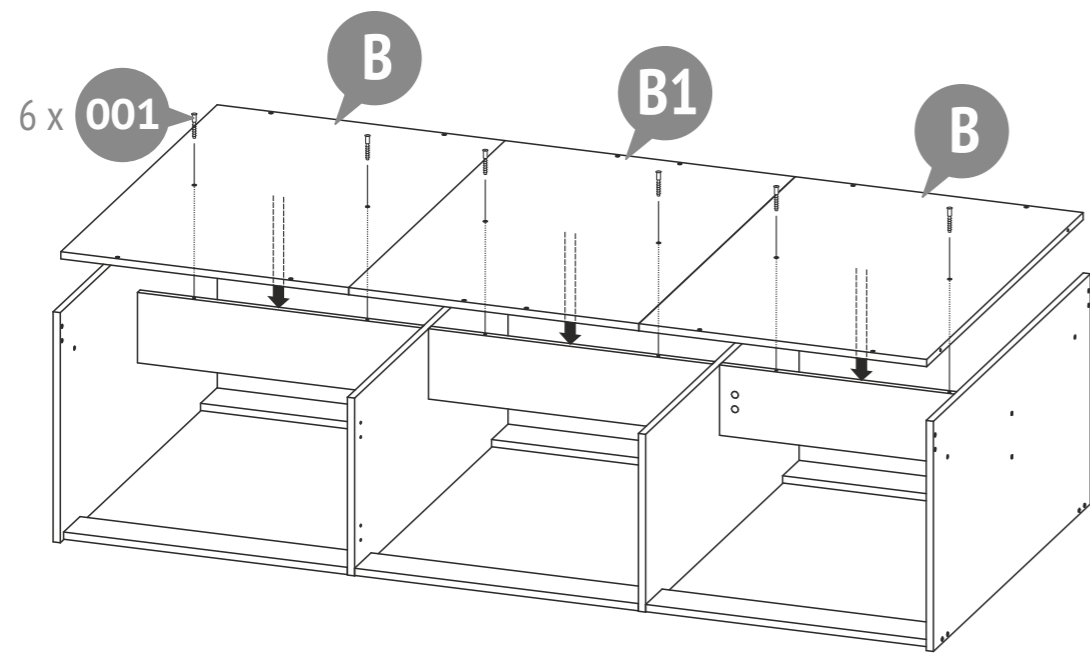
2



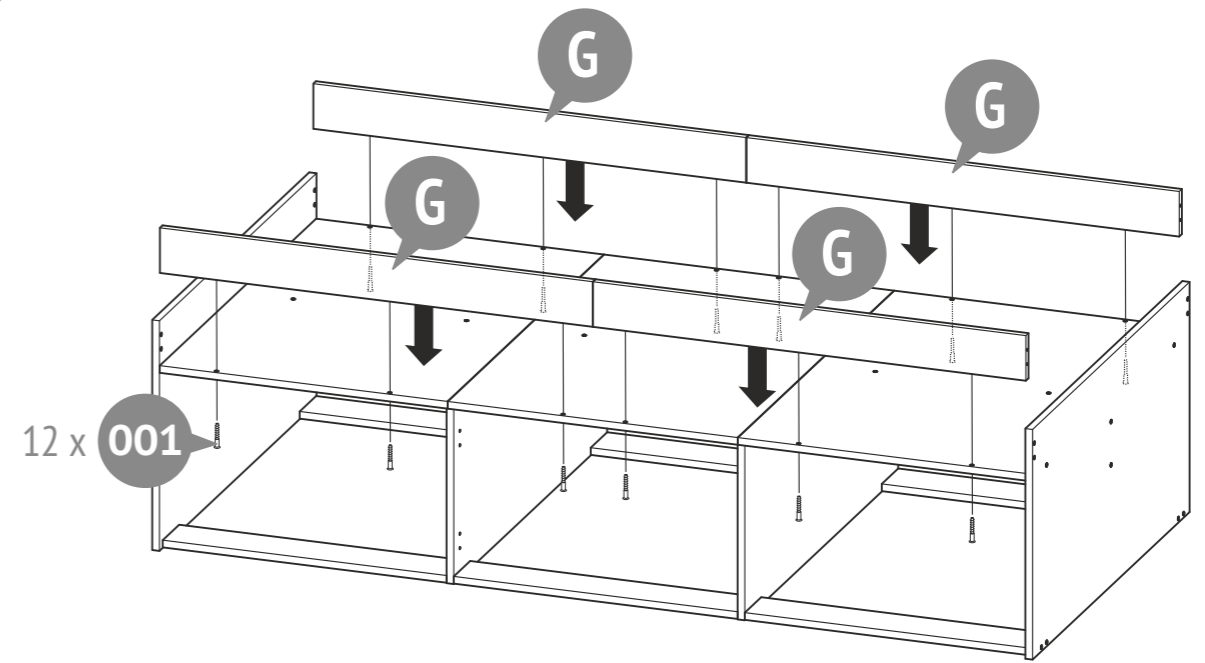
4



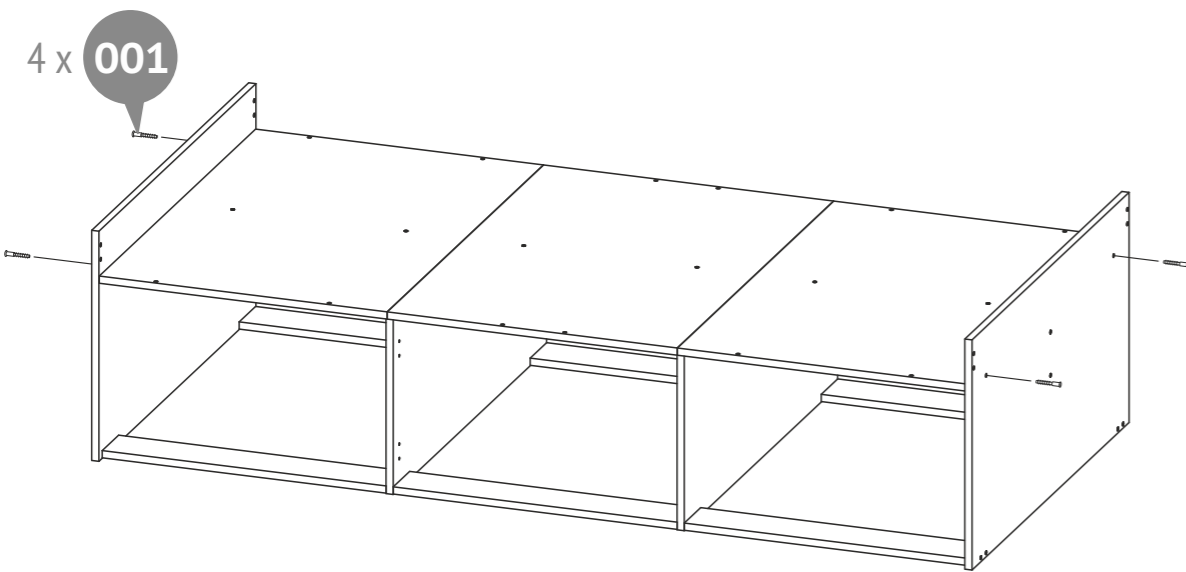
5



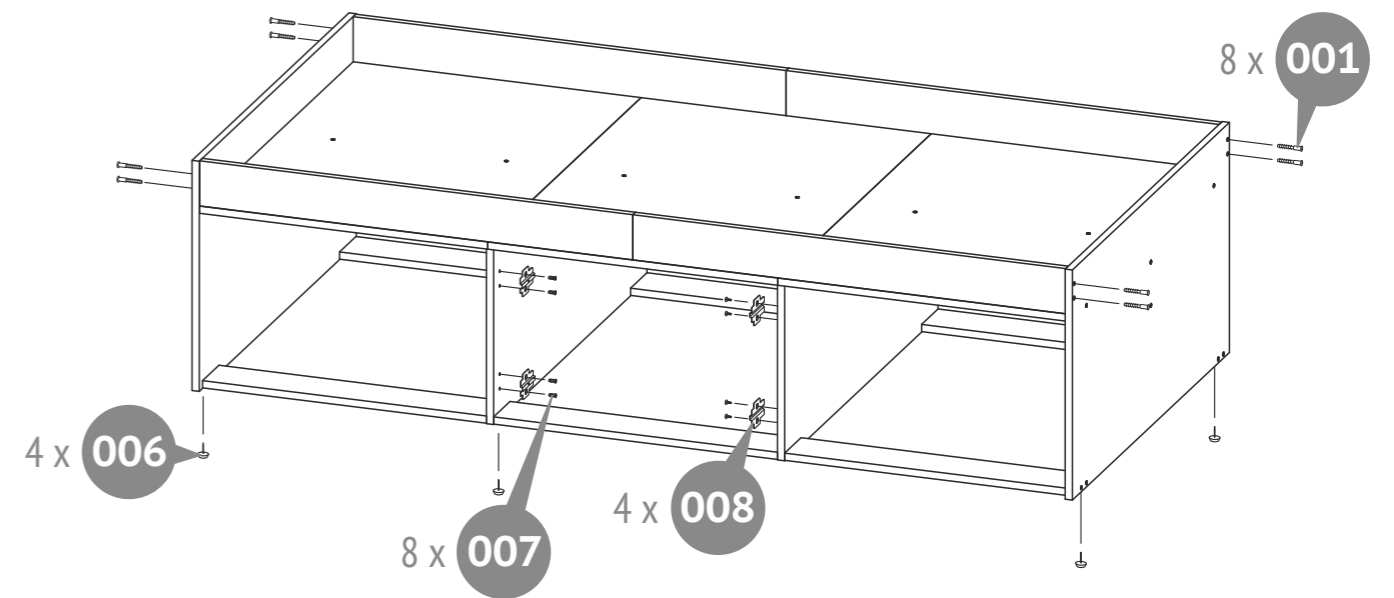
7

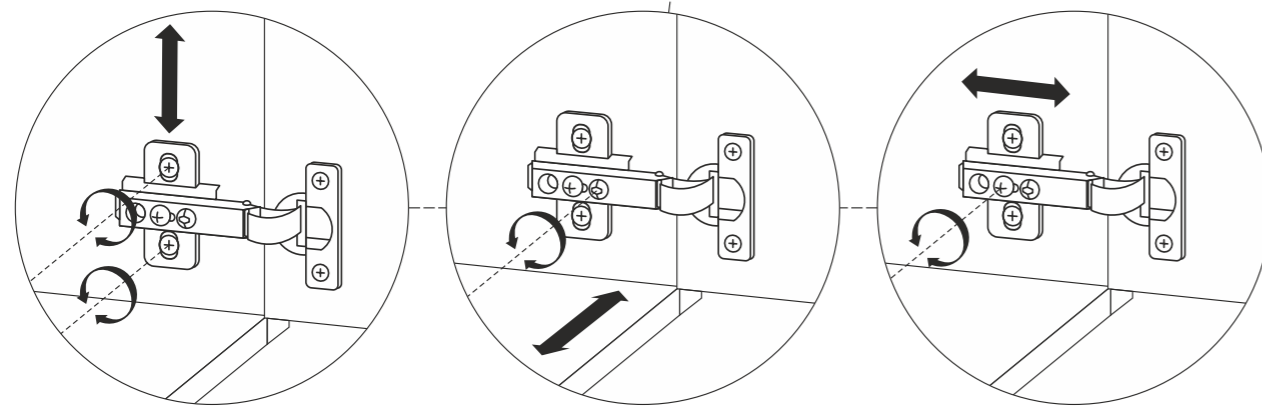
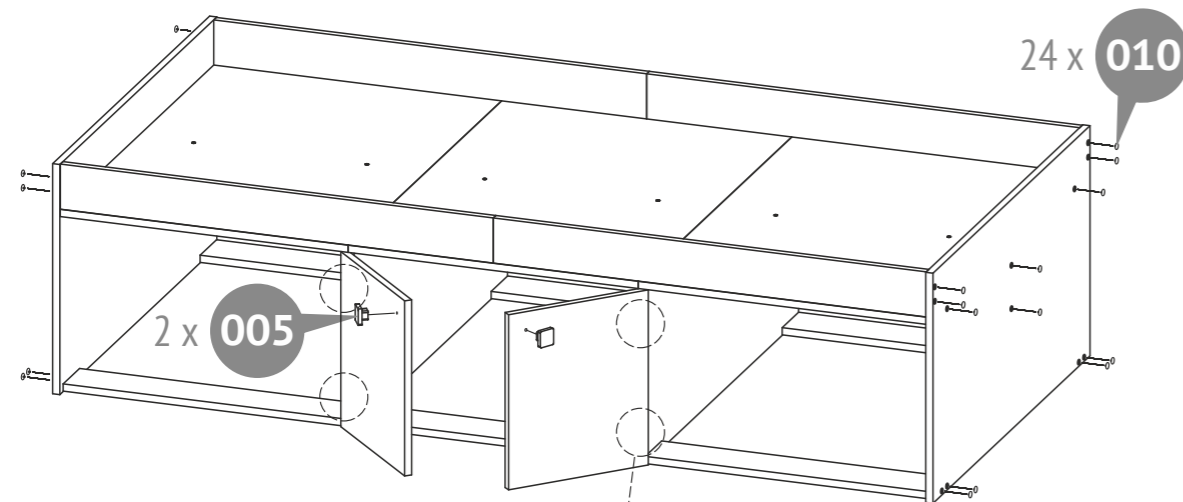


6



8





Please dispose of all packaging safely.

User Guide

Please take a little time to read the important safety notes detailed below. This will ensure many years of happy and safe use.

The bed is intended for use by a child from the age of 18 months to 4 years old.

Please see the product page on our website www.happybeds.co.uk for the **recommended mattress(es)** with this bed.

Safety

This bed has been tested by an independent laboratory and is in compliance with BS 8509:2008+A1:2011

- Keep this product away from fire and direct heat sources.
- Only use spares approved by Happy Beds.
- Always clear and empty the product before dismantling.
- Do not use this product if any part is broken, torn or missing.
- Do not use this product unless all fixings are secured.
- Always use on a level, even surface.
- Only adults should assemble this product.

Make sure the bed is not placed too close to other furniture, windows, blind cords, curtain pulls or other strings and cords due to children bouncing, jumping and climbing the bed. Like all children's beds, they present a risk of injury from strangulation if used incorrectly. Never attach or hang anything on any part of the bed that is not designed to be used with the bed, for example, but not limited to ropes, strings, cords, hooks, belts and bags.

Children can become trapped between the bed and the wall and other pieces of furniture (e.g. wardrobes). To avoid risk of serious injury, we recommend you place the bed tight to a wall or have at least 250mm between the wall and the bed.

General Care & Maintenance

- Wipe clean with a slightly damp cloth.
- Avoid the use of all household cleaners and abrasives.
- Periodically check all screw & fixings to ensure they are secure.
- When moving your product, carefully lift into place. Never drag or push the pieces across the floor as this will cause damage to the joints and could result in failure to the product that will invalidate the warranty.

For more information on cleaning and product care visit:

<https://www.happybeds.co.uk/help-and-advice>

Notes

We've tried to make this product as easy to assemble as possible. In the unlikely event that you have problems putting it together or have damaged or missing pieces, please contact us by visiting:

<https://www.happybeds.co.uk/customer-service>

Please keep these instructions for future reference.



www.happybeds.co.uk

