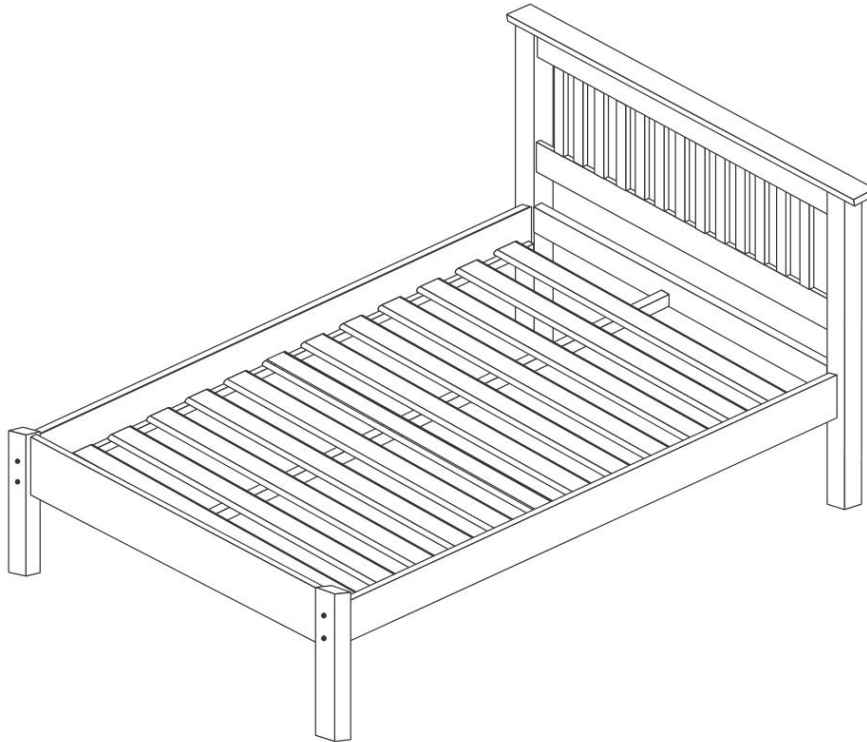




## Assembly Instructions

# Denver Low End Bed



### **Important before assembly:**

Read these instructions carefully before assembling or using the product.

Please check the contents of the boxes before attempting to assemble this product. The instructions will have a checklist of parts and fittings.

It would be sensible to lay a rug or a carpet on the floor where you intend to assemble the product, to void scratches and damaging the product or the floor.

Assemble the product as close to its intended final location/room as possible.

Do NOT use any power tools as this may damage the frame.

### **Health & Safety:**

This product or some parts of this product will be heavy. Please use an assistant when lifting.

DO NOT jump on the product or any of its parts.

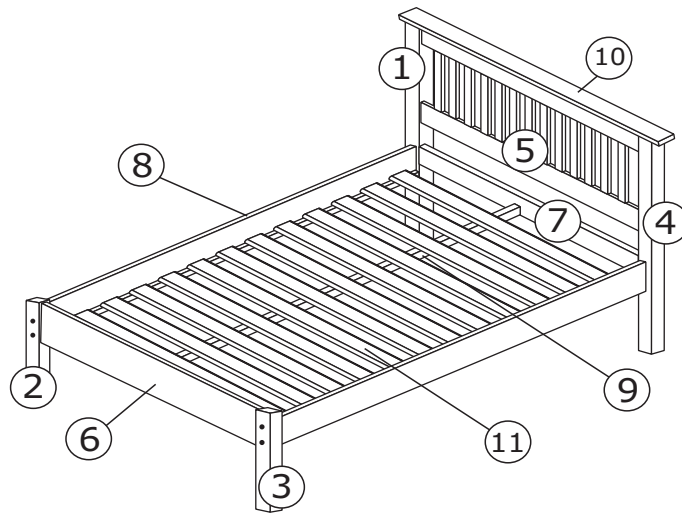
DO NOT use this product if any parts are missing, damaged or worn.

DO NOT use this product unless all fixings are secured.

Please keep small parts out of reach of children.

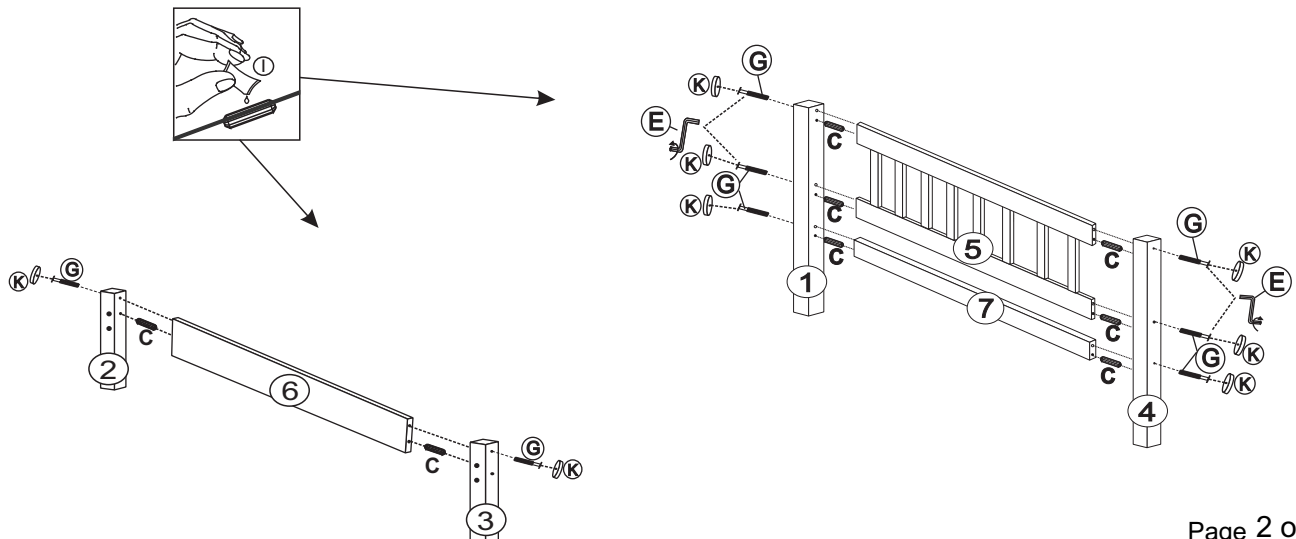
Always use on a level, even surface.

Please keep these instructions for future reference.



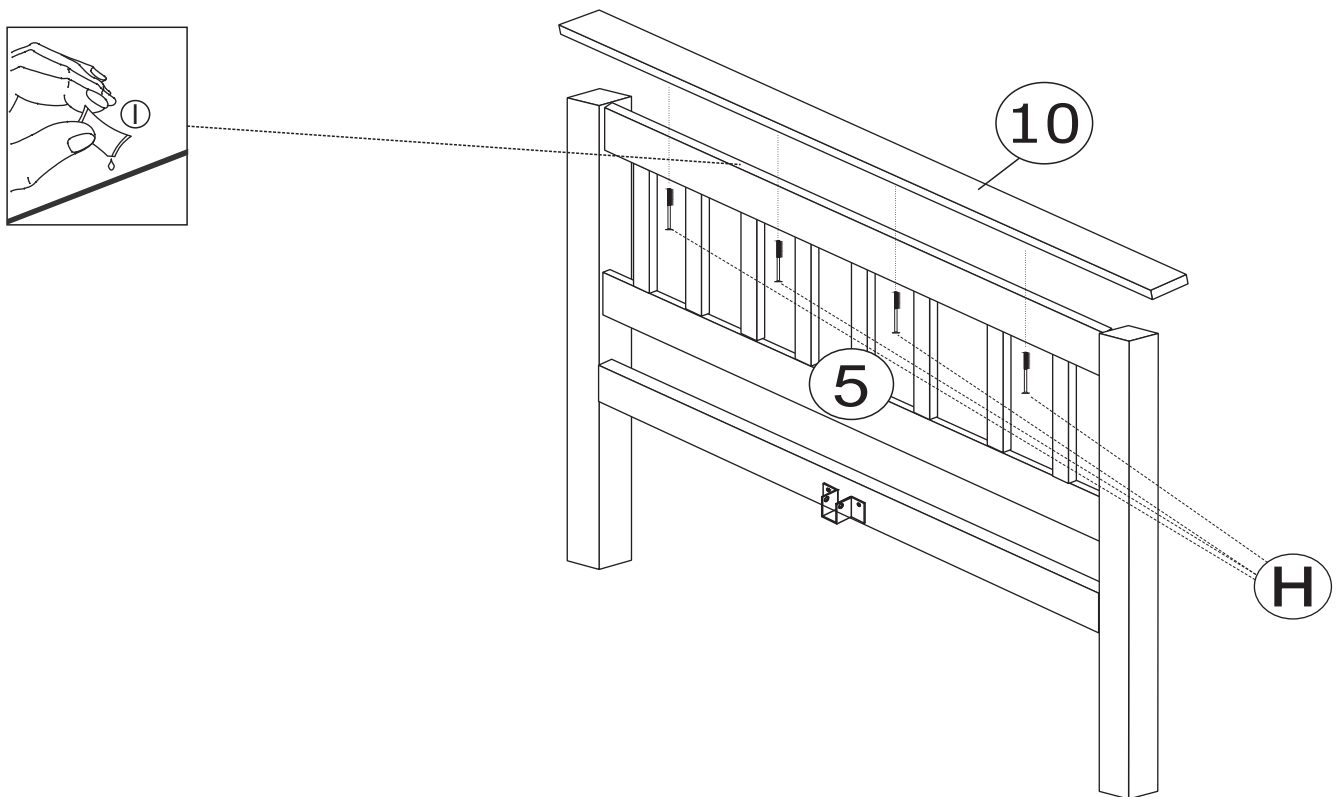
PARTS LIST				HARDWARE LIST ( FOUND IN BOX 02)			
No	Item	Qty	Box	No	Item	Item	Qty
1	Post Headend	1	01	A	¼* 90 mm Bolt		8
2	Post Footend	1	01	B	4*35 mm Screw		24
3	Post Footend	1	01	C	10 x 40 mm Wooden Dowel		12
4	Post Headend	1	01	D	¼ Elliptical Nut		8
5	Grids	1	01	E	Allen Key		1
6	Footend Rail	1	01	F	4*16 mm Screw		10
7	Headend Rail	1	01	G	7 x 90 mm Bolt		8
8	SideRail	2	02	H	7 x 80 mm Bolt		4
9	Centre Rail	1	02	I	GLUE		1
10	Plinth	1	02	J	Spacer Block		2
11	Slat	12	01	K	Screw Cap		16
** you will need a small mallet and a screwdriver				L	Bracket		2

Step 1 - Use the foot (1) and (4) with the parts (5) and (7) to assemble the headboard. In parts (5) and (7) use the hardware (C) applying the glue (I). Fit in the feet (1) and (4) to the parts (5) and (7), using the hardware (G) + (E) to fix it, once it's done put the hardware (k) on the top of screw. Use the foot (2) and (3) together with the part 6 to assemble the footboard. Use hardware (C) applying glue (I). Fit in the feet (2) and (3) with the part 6, fix these parts with the hardware (G) and (E) on the screw tips.



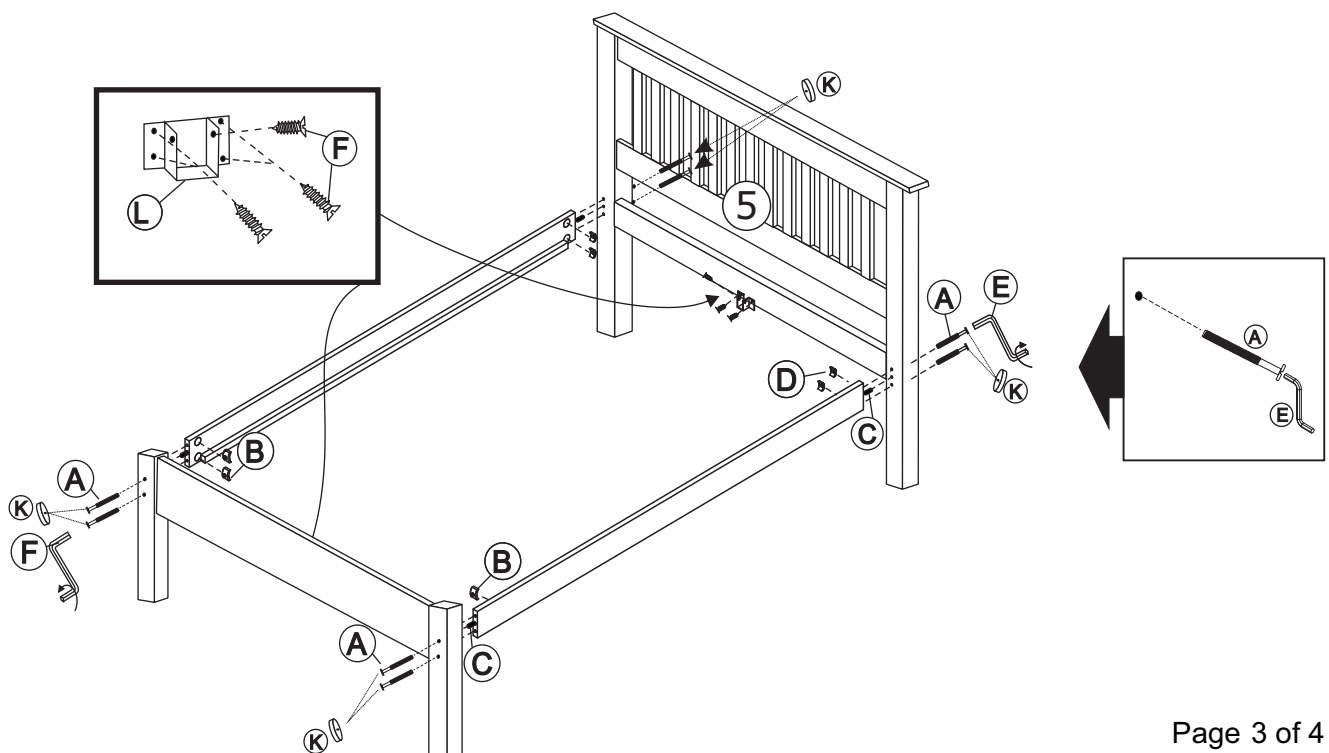
**Step 2:** Attach a plinth (10) to the headend (5) using hardware part H.

**DO NOT use any power tools as this may damage the frame and will invalidate any claim**



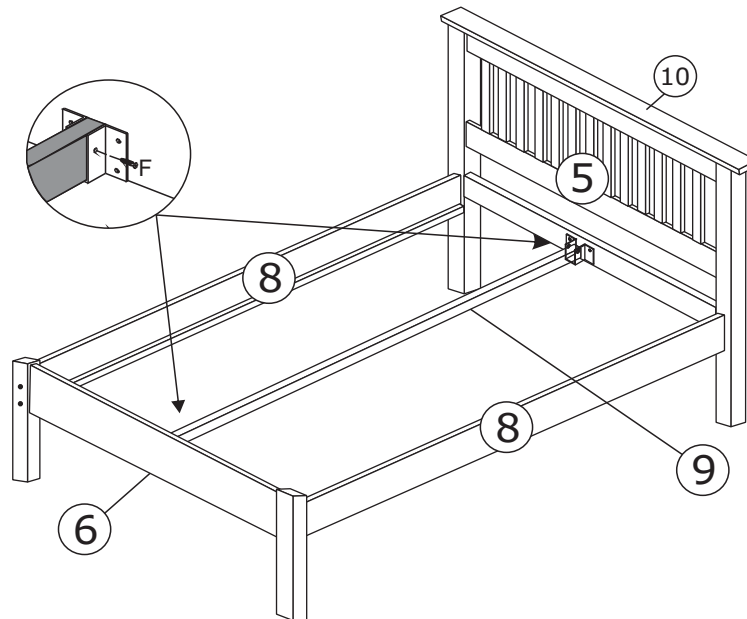
**Step 3:** Fix hardware part L to the headend (7) using hardware part F, then attach the side rails (8) using hardware parts A, C and E

**DO NOT use any power tools as this may damage the frame and will invalidate any claim**



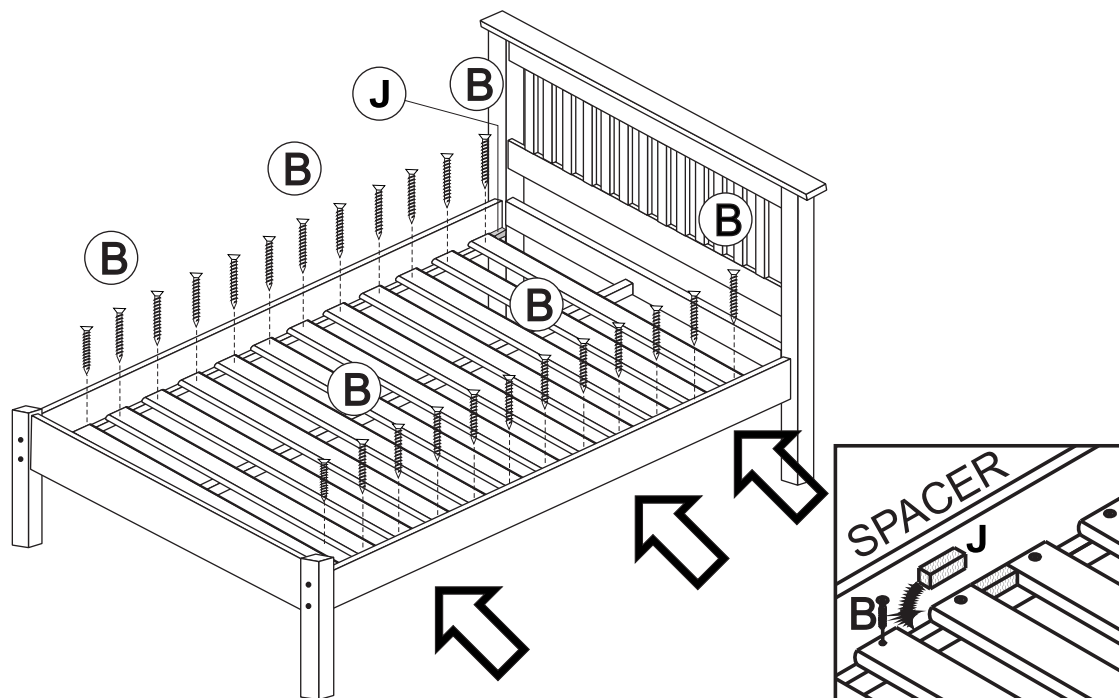
**Step 4:** Secure the centre rail (9) using hardware part F

**DO NOT use any power tools as this may damage the frame and will invalidate any claim**



**Step 5:** Fix the slats (11) into position whilst applying pressure to both side rails (8) using hardware parts B and J and a screwdriver (not provided)

**DO NOT use any power tools as this may damage the frame and will invalidate any claim**



Please dispose of all packaging safely.

## General Care & Maintenance

Wipe clean with a slightly damp cloth.  
Avoid the use of all household cleaners and abrasives.

Periodically check all screw & fixings to ensure they are secure.  
When moving your product, carefully lift into place. Never drag or push the pieces across the floor as this will cause damage to the joints and could result in failure to the product that will invalidate the warranty.

For more information on cleaning and product care visit:  
<https://www.happybeds.co.uk/help-and-advice>

## Notes

We've tried to make this product as easy to assemble as possible. In the unlikely event that you have problems putting it together or have damaged or missing pieces, please contact us by visiting:

<https://www.happybeds.co.uk/customer-service>



[www.happybeds.co.uk](http://www.happybeds.co.uk)

