



happybeds

## Assembly Instructions

# Fabio Bed - 5ft



### **Important before assembly:**

Read these instructions carefully before assembling or using the product.

Please check the contents of the boxes before attempting to assemble this product. The instructions will have a checklist of parts and fittings.

It would be sensible to lay a rug or a carpet on the floor where you intend to assemble the product, to void scratches and damaging the product or the floor.

Assemble the product as close to its intended final location/room as possible.

Do NOT use any power tools as this may damage the frame.

### **Health & Safety:**

This product or some parts of this product will be heavy. Please use an assistant when lifting.

DO NOT jump on the product or any of its parts.

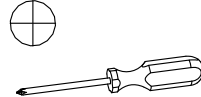
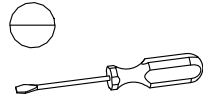
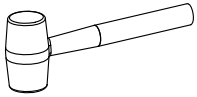
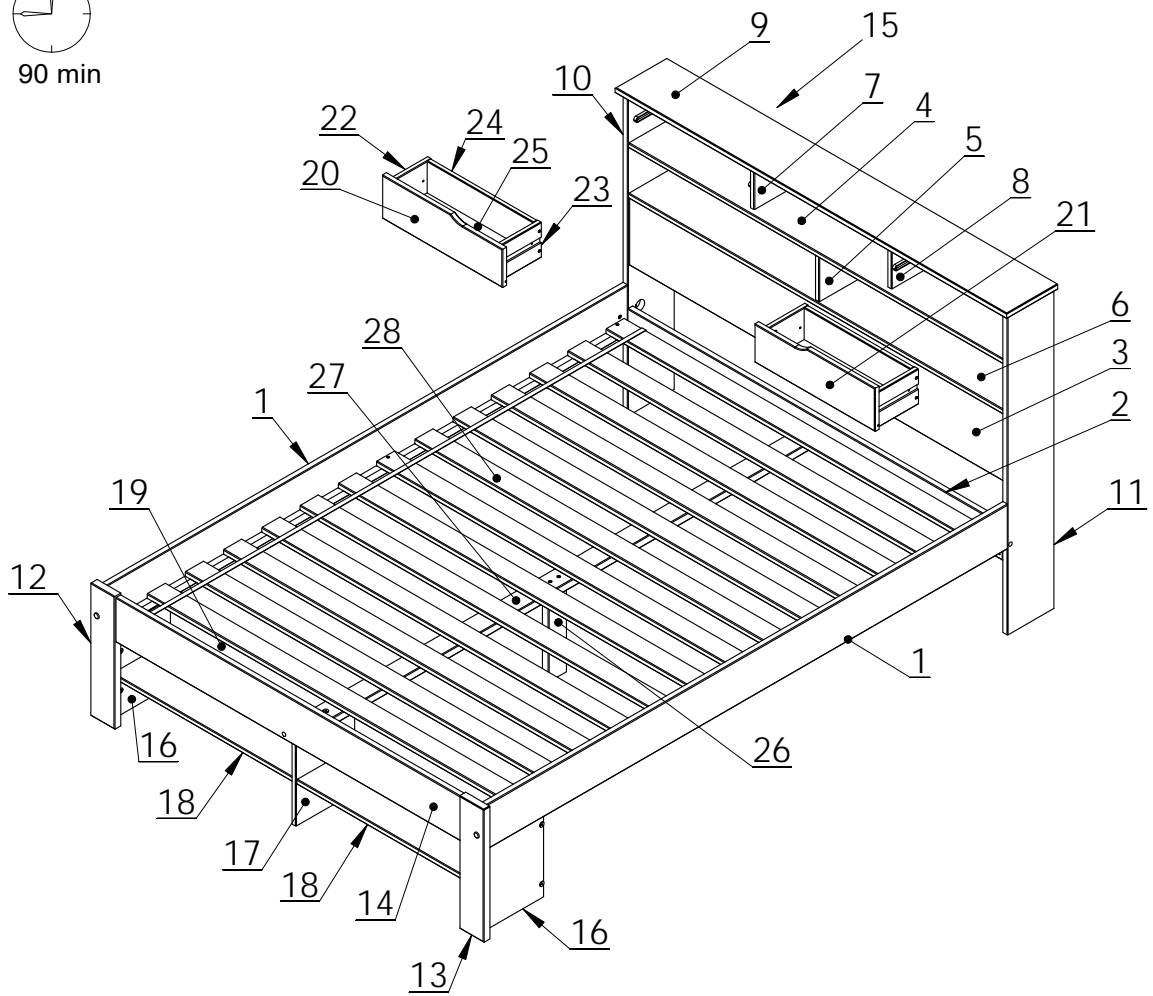
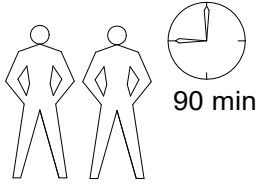
DO NOT use this product if any parts are missing, damaged or worn.

DO NOT use this product unless all fixings are secured.

Please keep small parts out of reach of children.

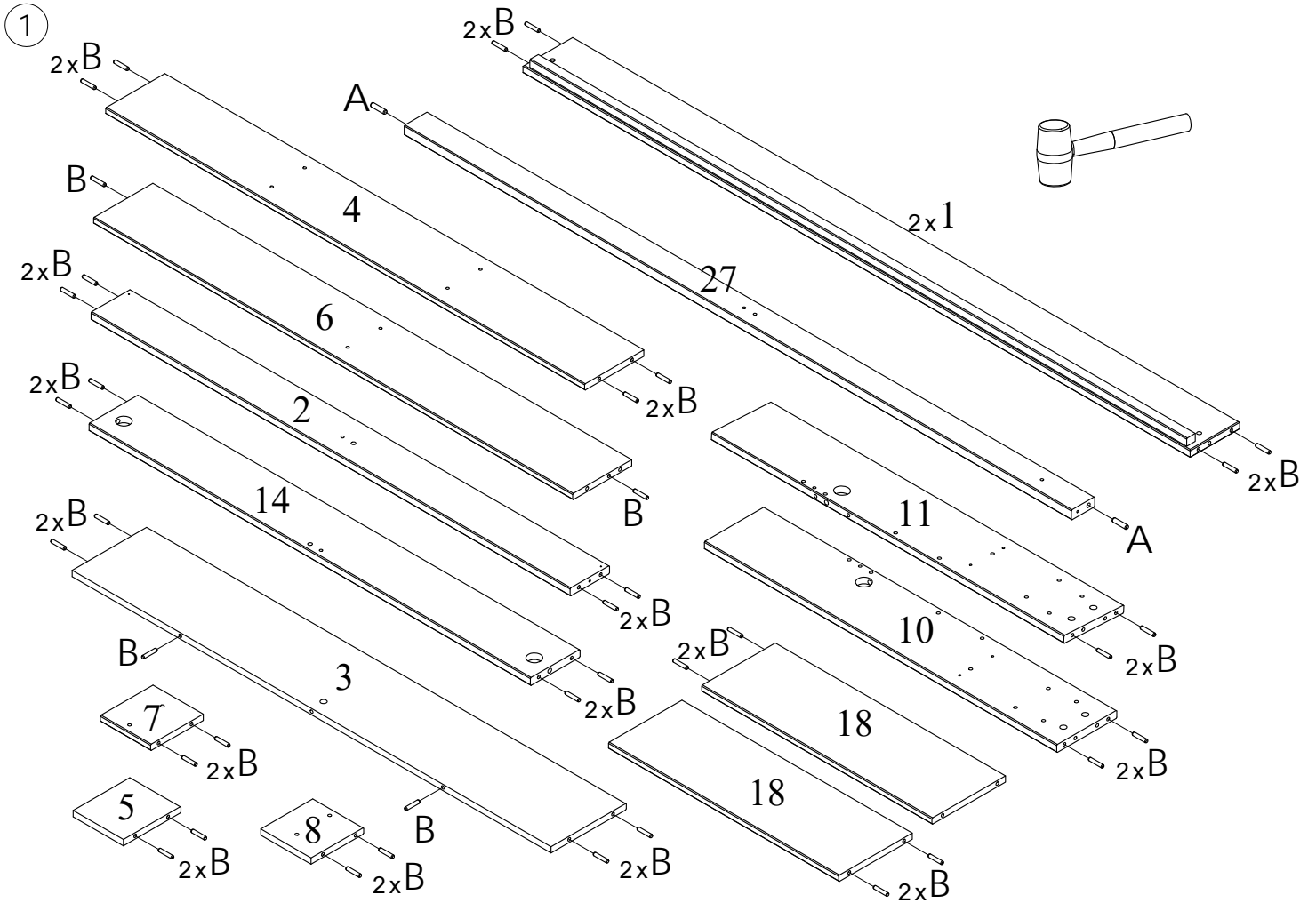
Always use on a level, even surface.

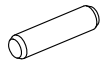
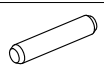
Please keep these instructions for future reference.

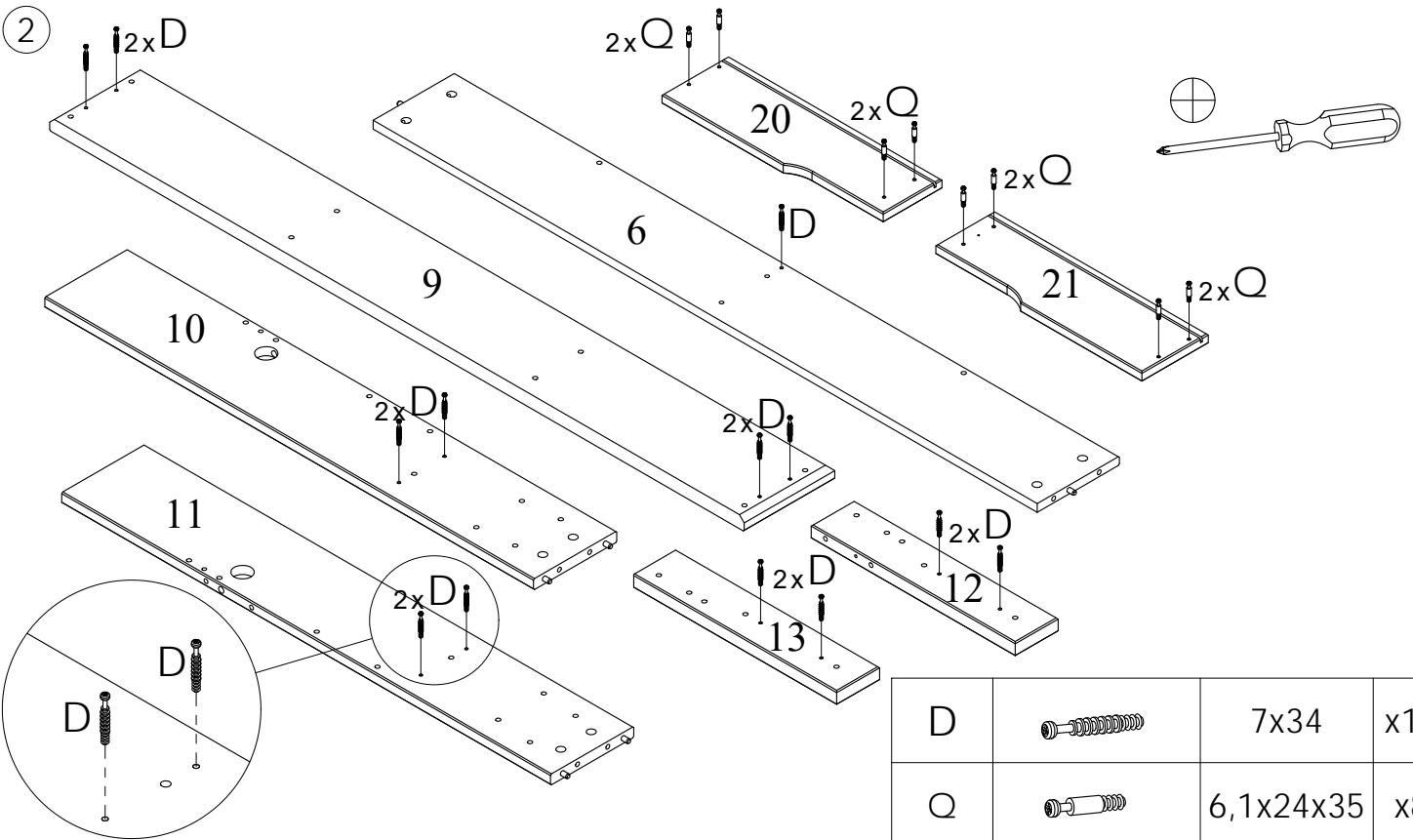




A		10x40	x2
B		8x40	x46
C		8x55	x2
D		7x34	x13
E		16x145	x4
F		3,5x15	x4
G		15x12	x13
H		5x55	x7
J		7x50	x10
K		7x60	x4
L		D35	x4

M		M6x10x13	x4
N		M6x65	x2
P		M6x60	x2
Q		6,1x24x35	x8
Z		D12x10	x8
R		3,5x40	x14
S		14,5x6,1x7,8	x4
T		1,6x16	x25
U		D4x13	x4
V		D15x18	x2
X		4mm	x1
Y			x1

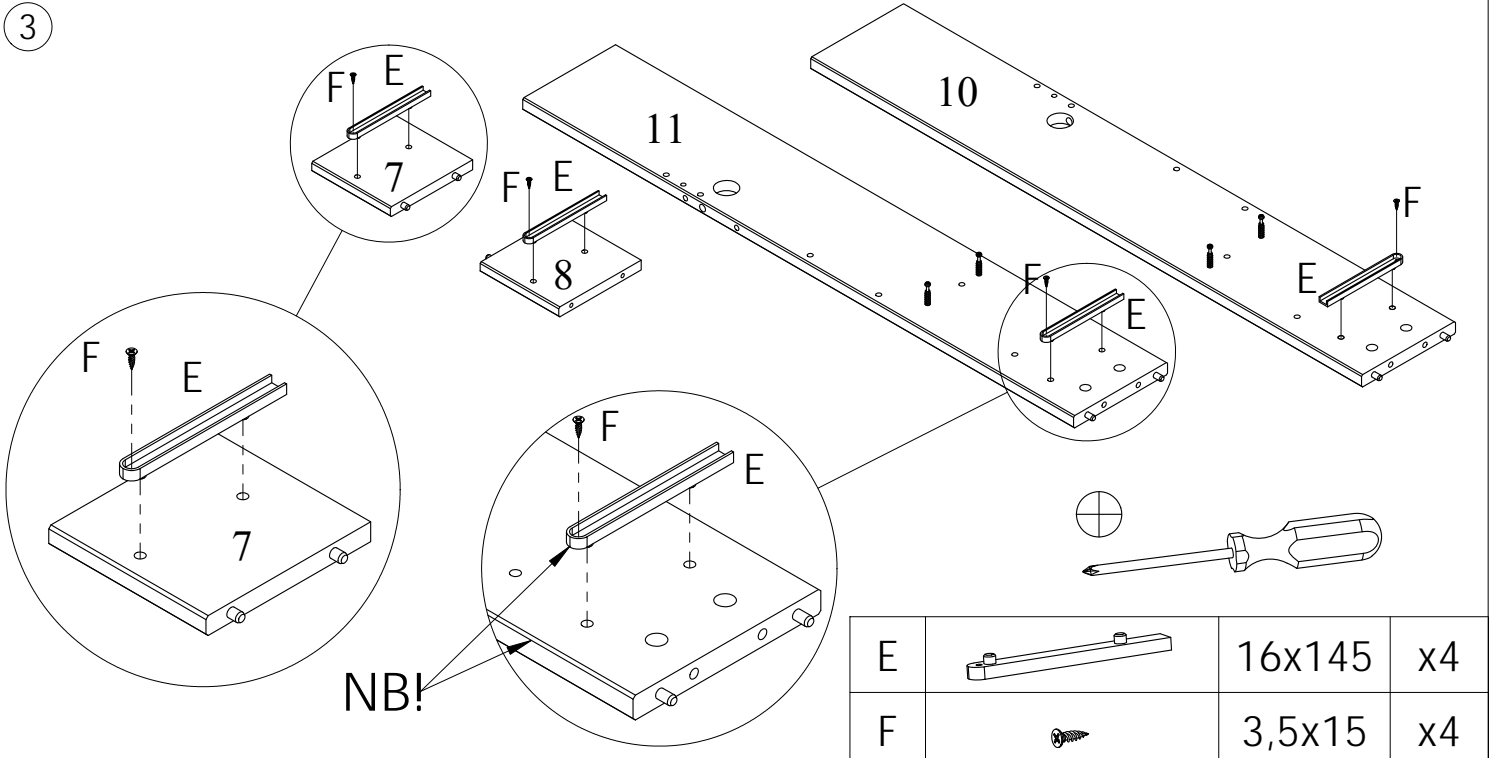


A		10x40	x2
B		8x40	x42



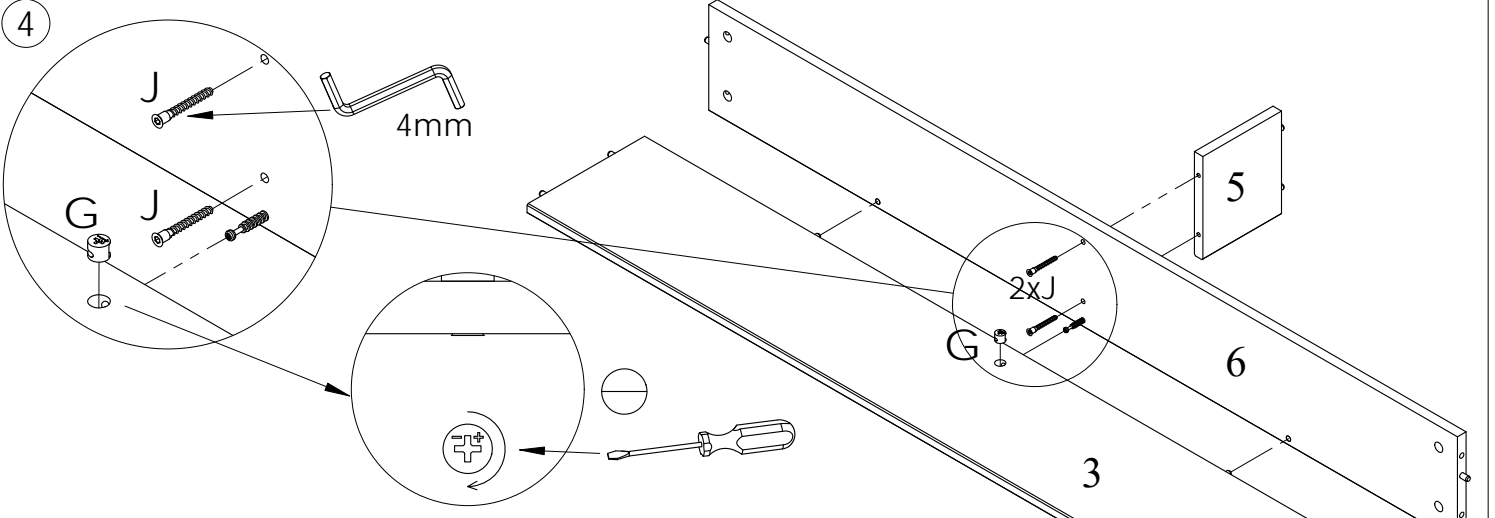
D		7x34	x13
Q		6,1x24x35	x8

3



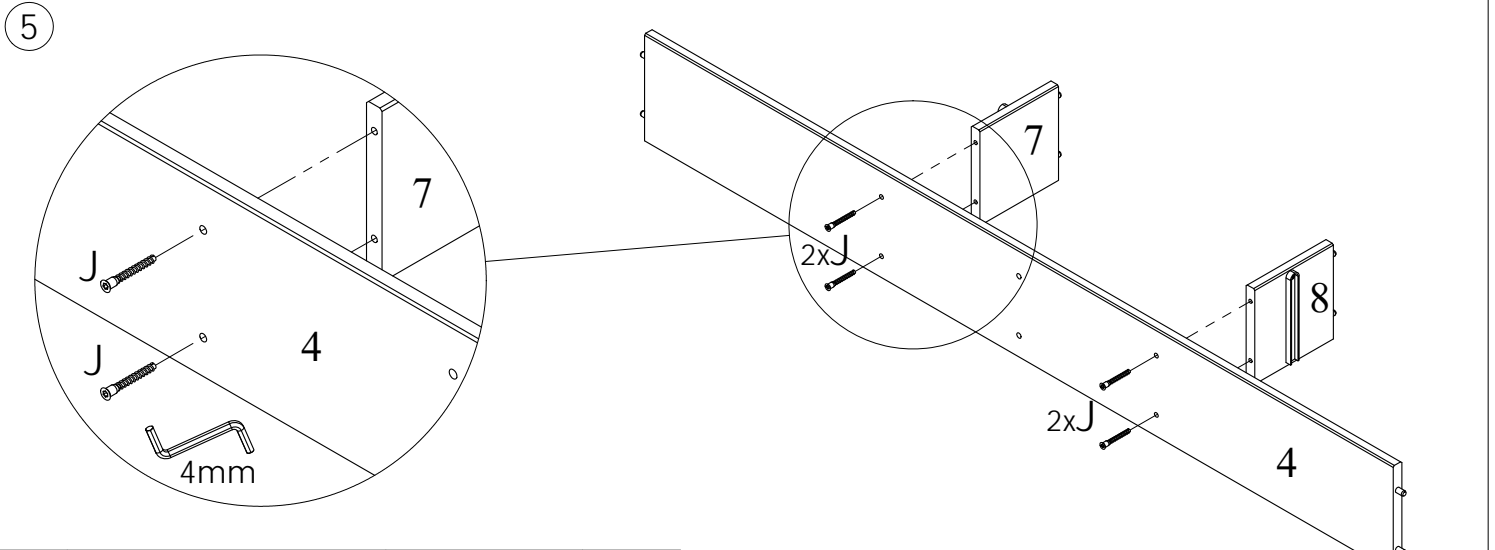
E		16x145	x4
F		3,5x15	x4

4

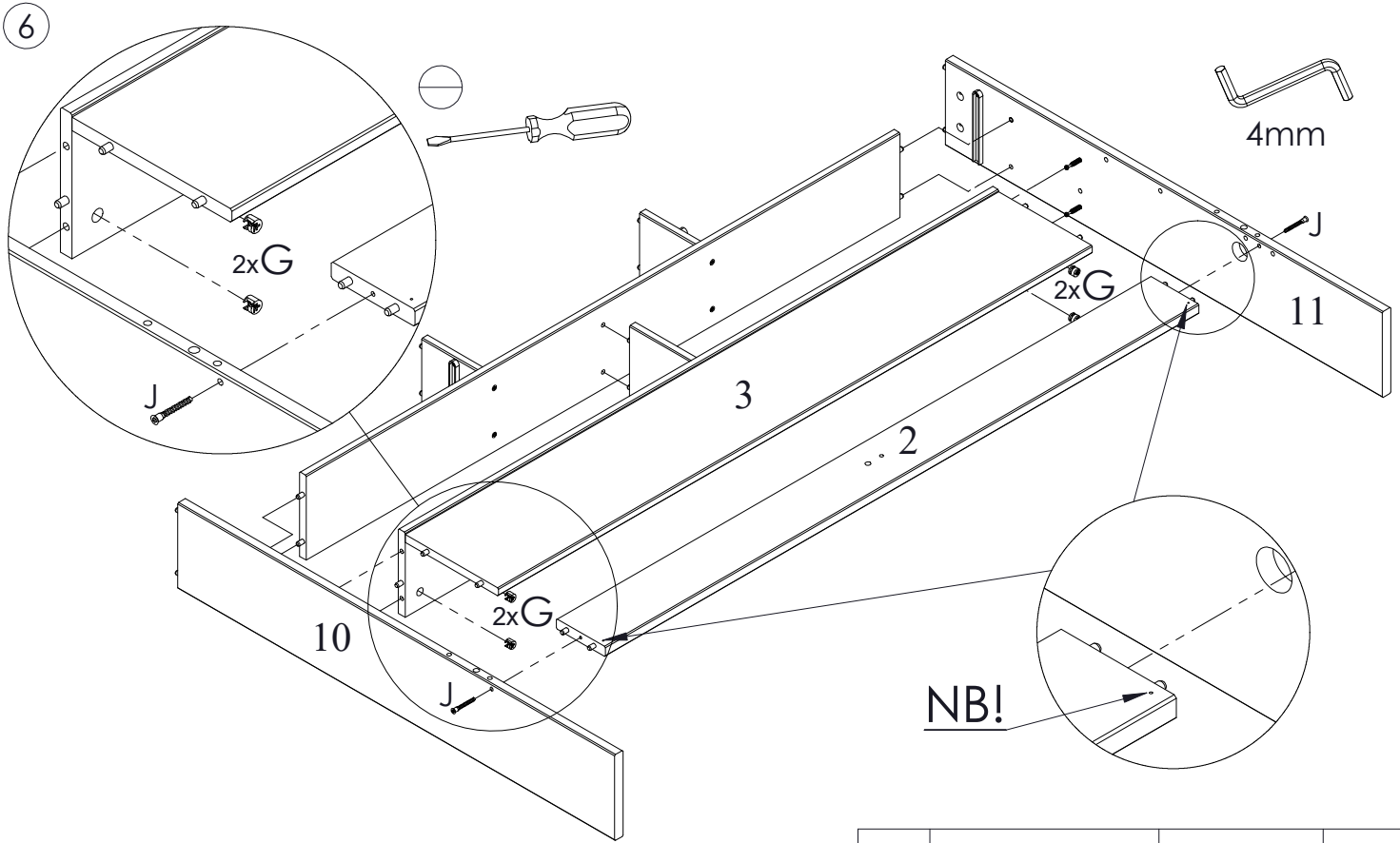




G		15x12	x1
J		7x50	x2

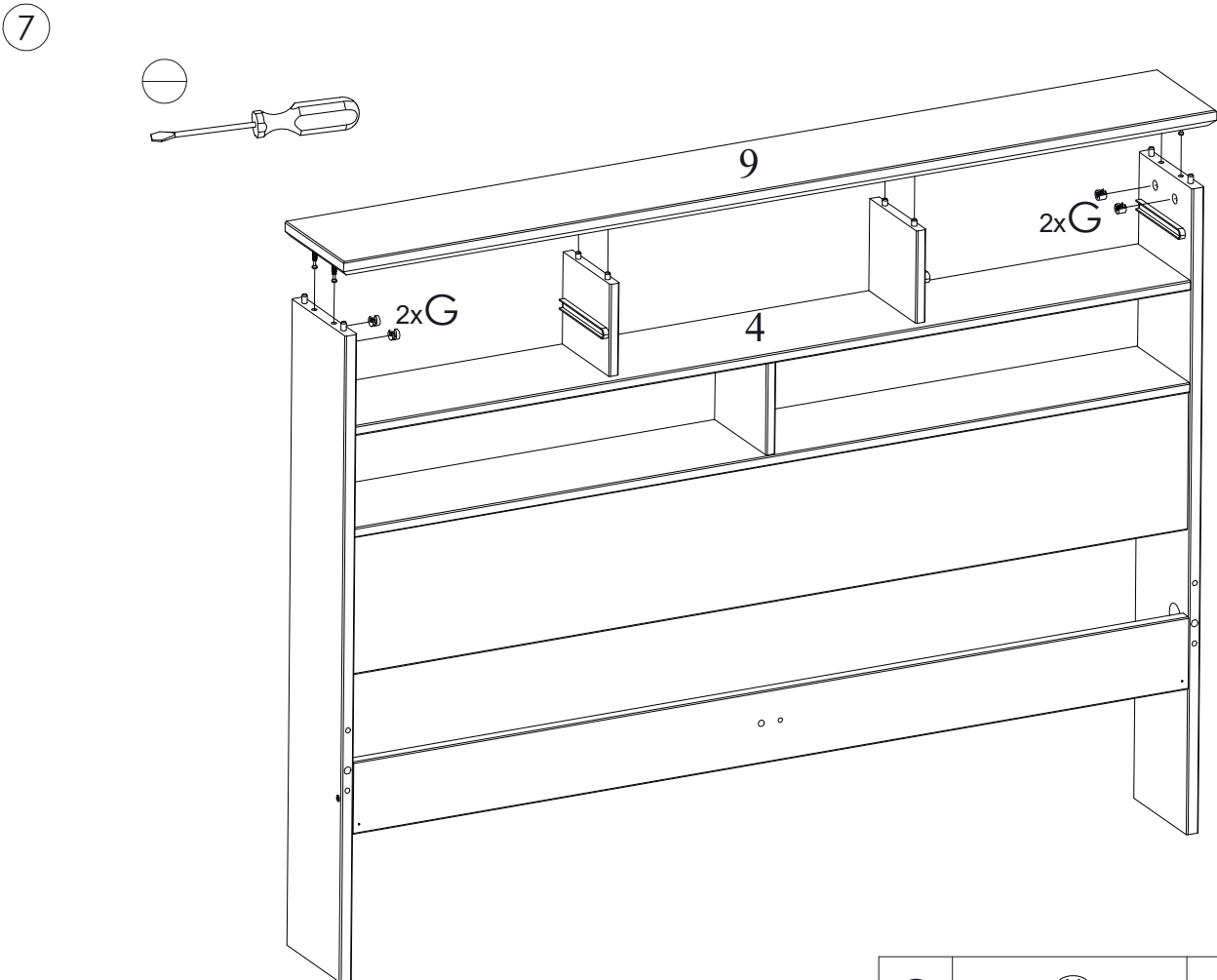
5



J		7x50	x4
---	--	------	----

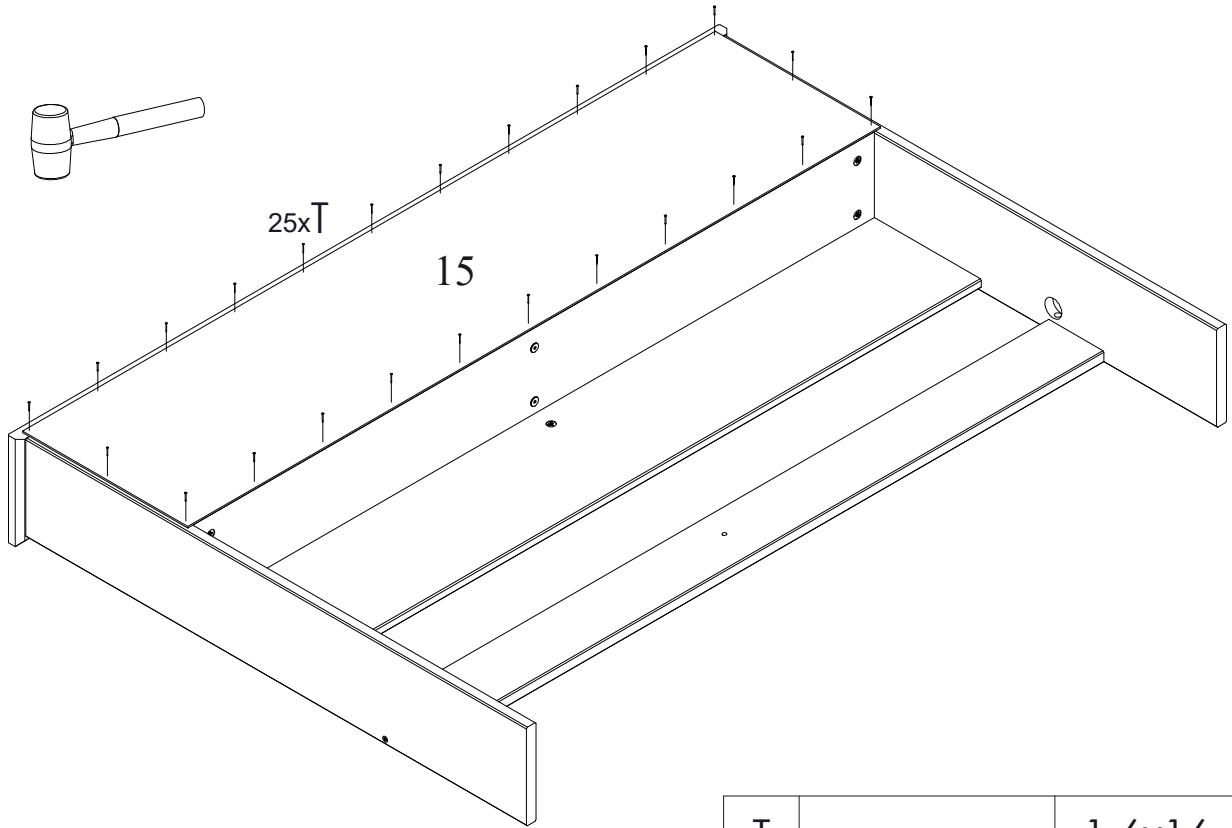


G		15x12	x4
J		7x50	x2



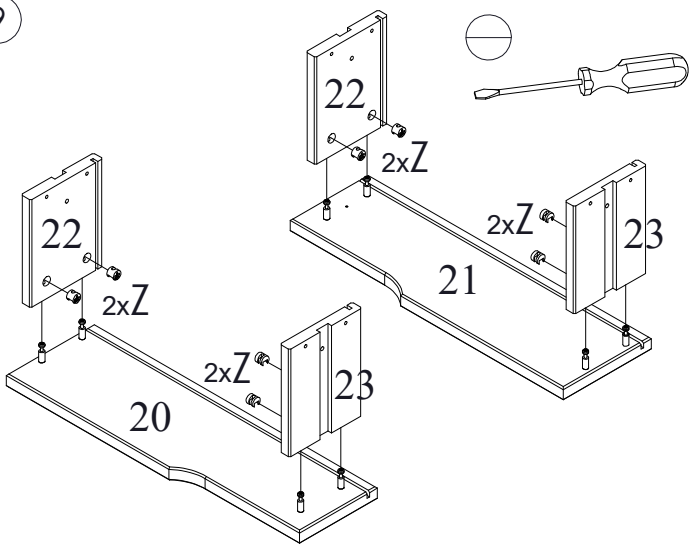
G		15x12	x4
---	---	-------	----

8



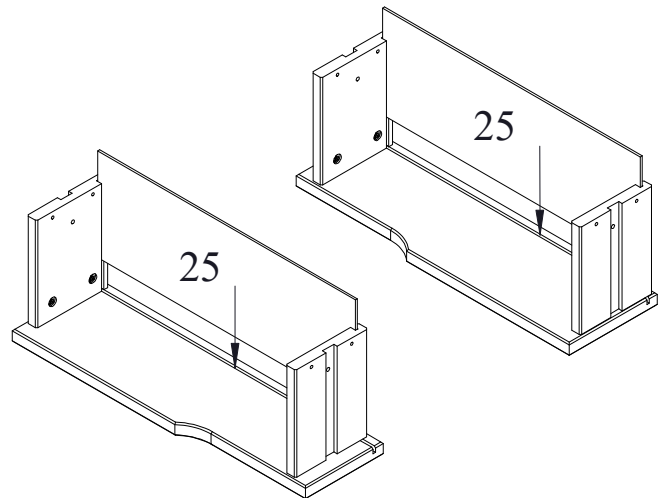
T		1,6x16	x25
---	---	--------	-----

9

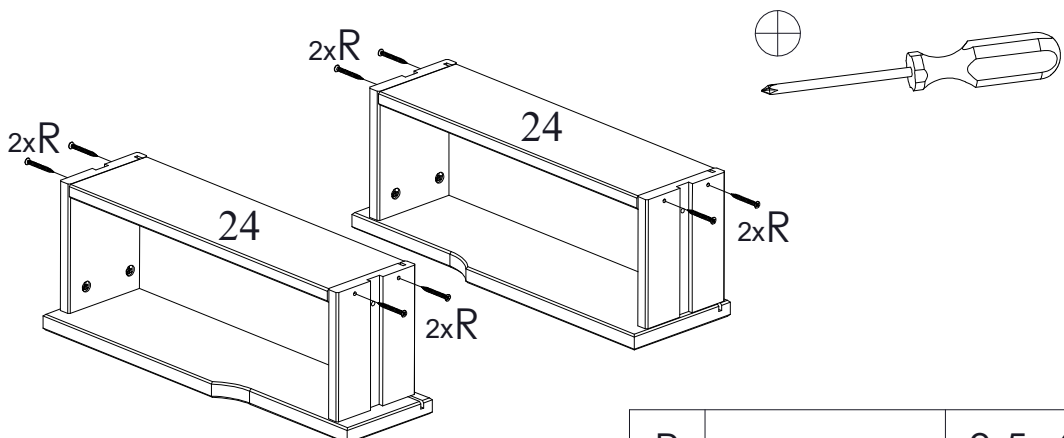


Z		D12x10	x8
---	---	--------	----

10

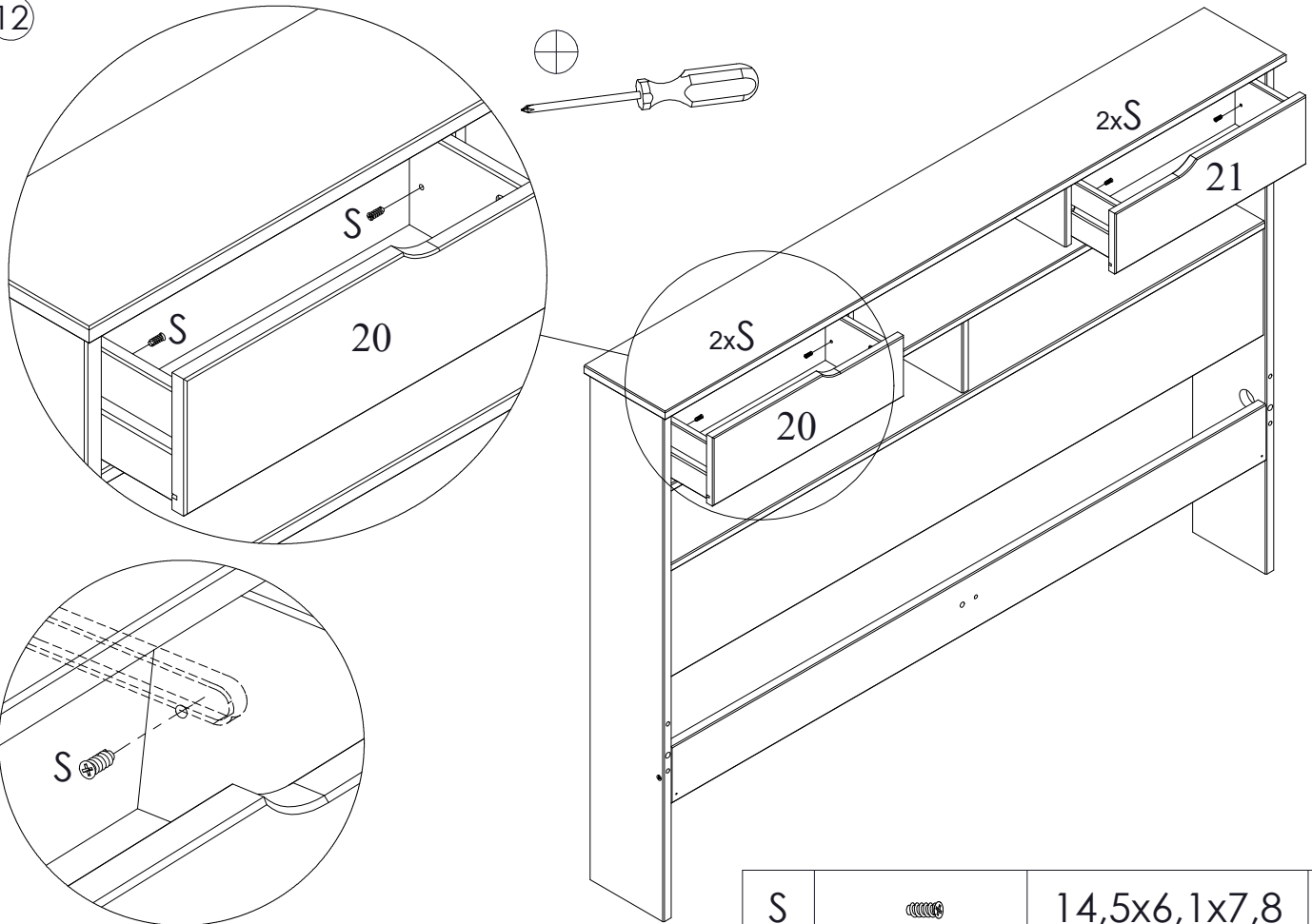


11



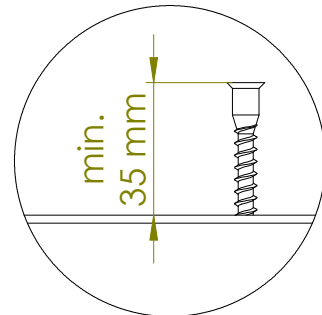
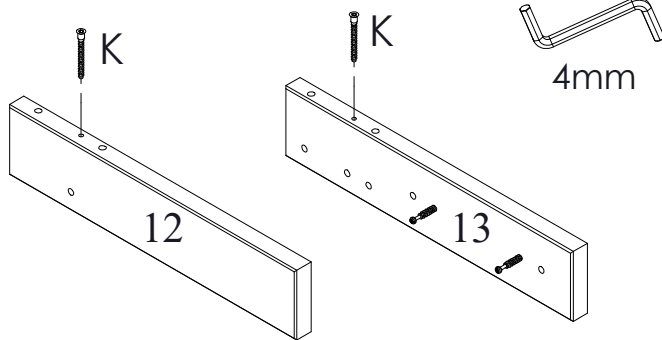
R		3,5x40	x8
---	---	--------	----

12



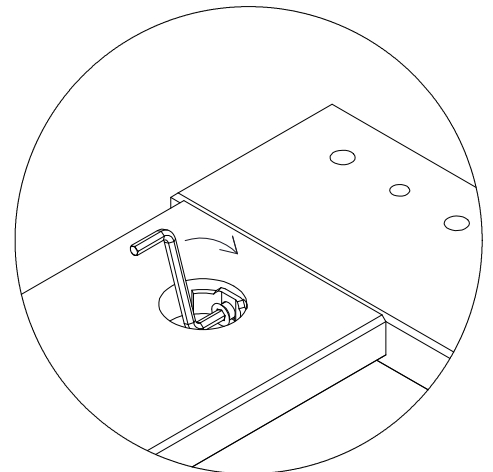
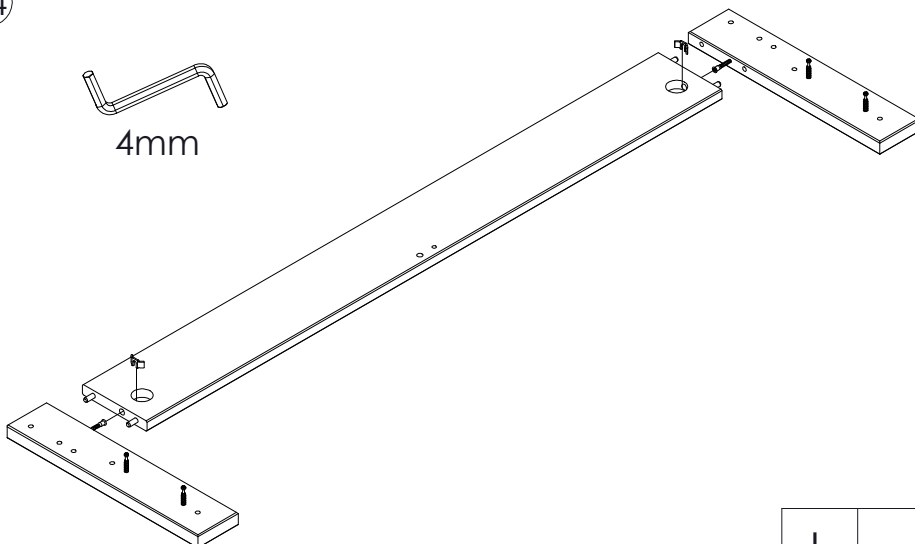
S		14,5x6,1x7,8	x4
---	---	--------------	----

13



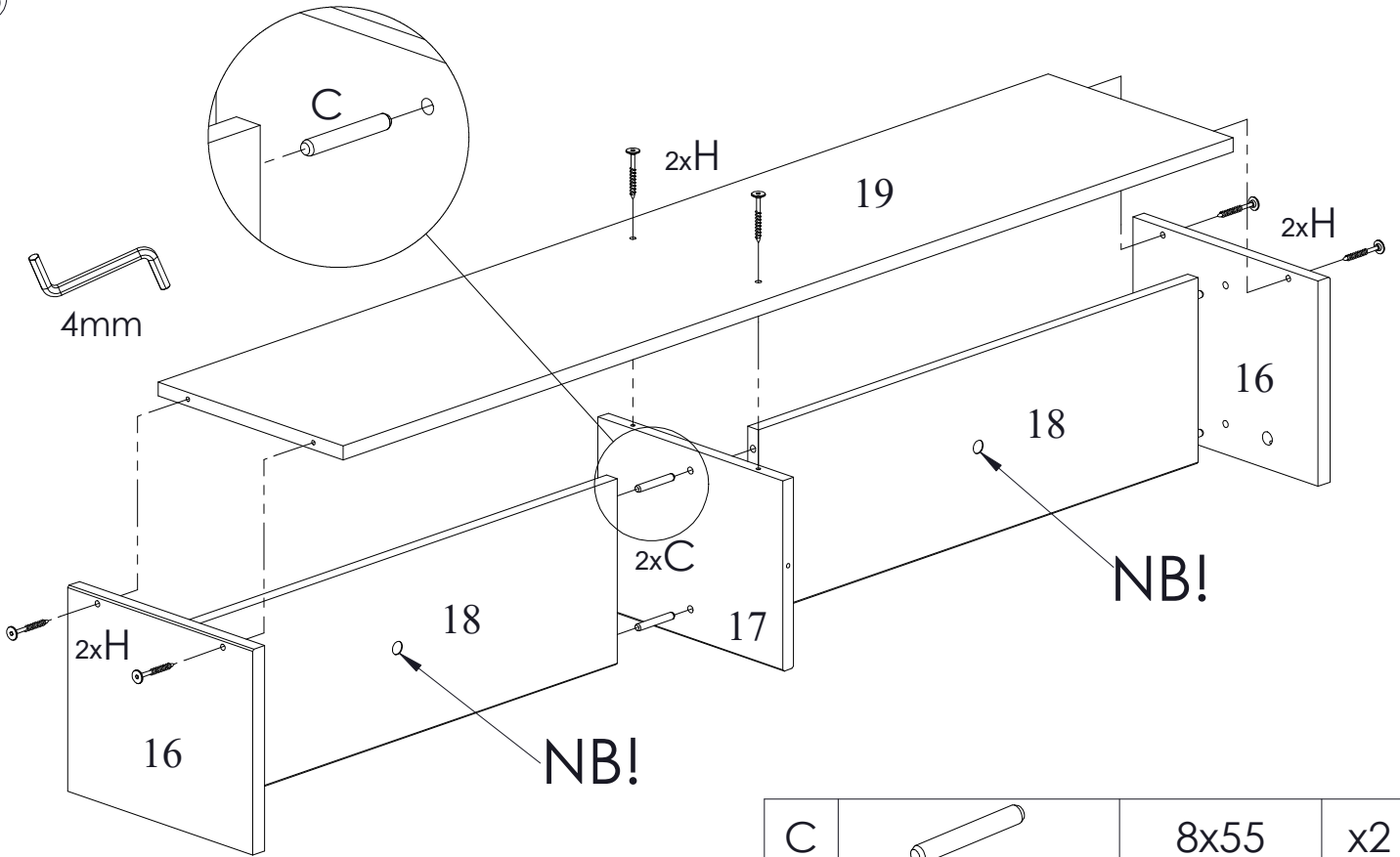
K		7x60	x2
---	--	------	----

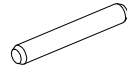

14



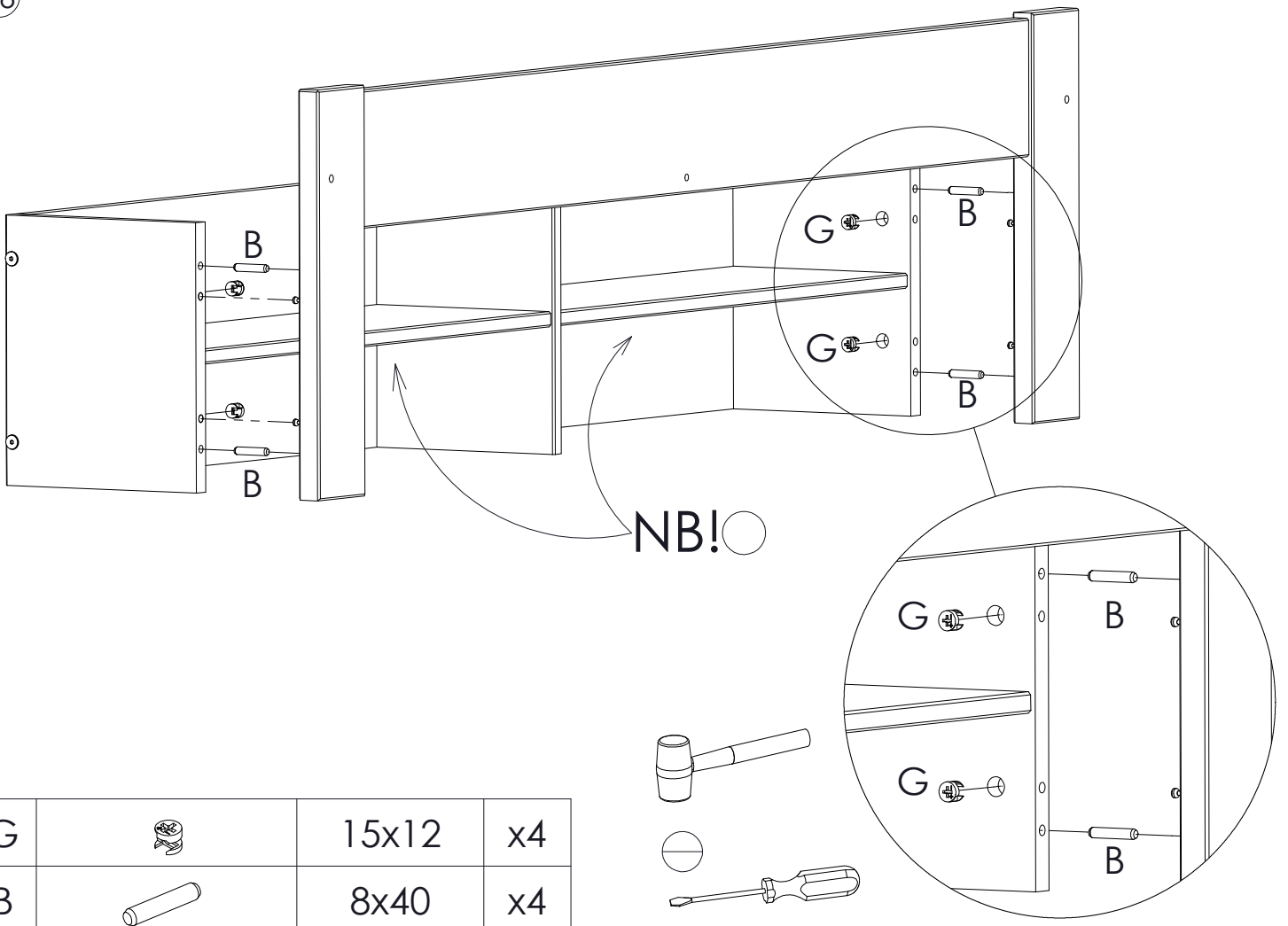
L		D35	x2
---	---	-----	----


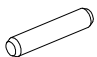
15



C		8x55	x2
H		5x55	x6

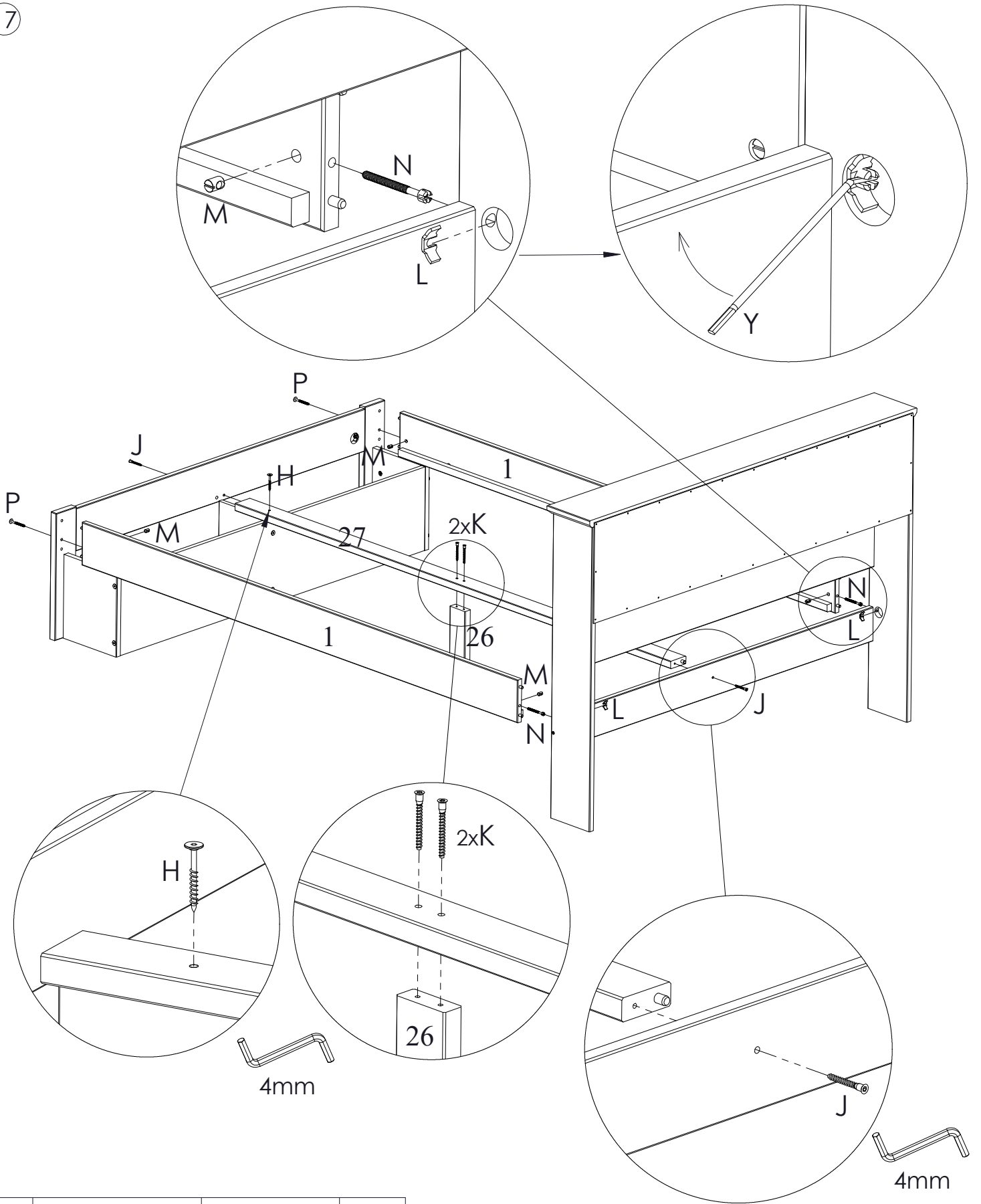
16







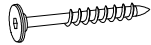


G		15x12	x4
B		8x40	x4



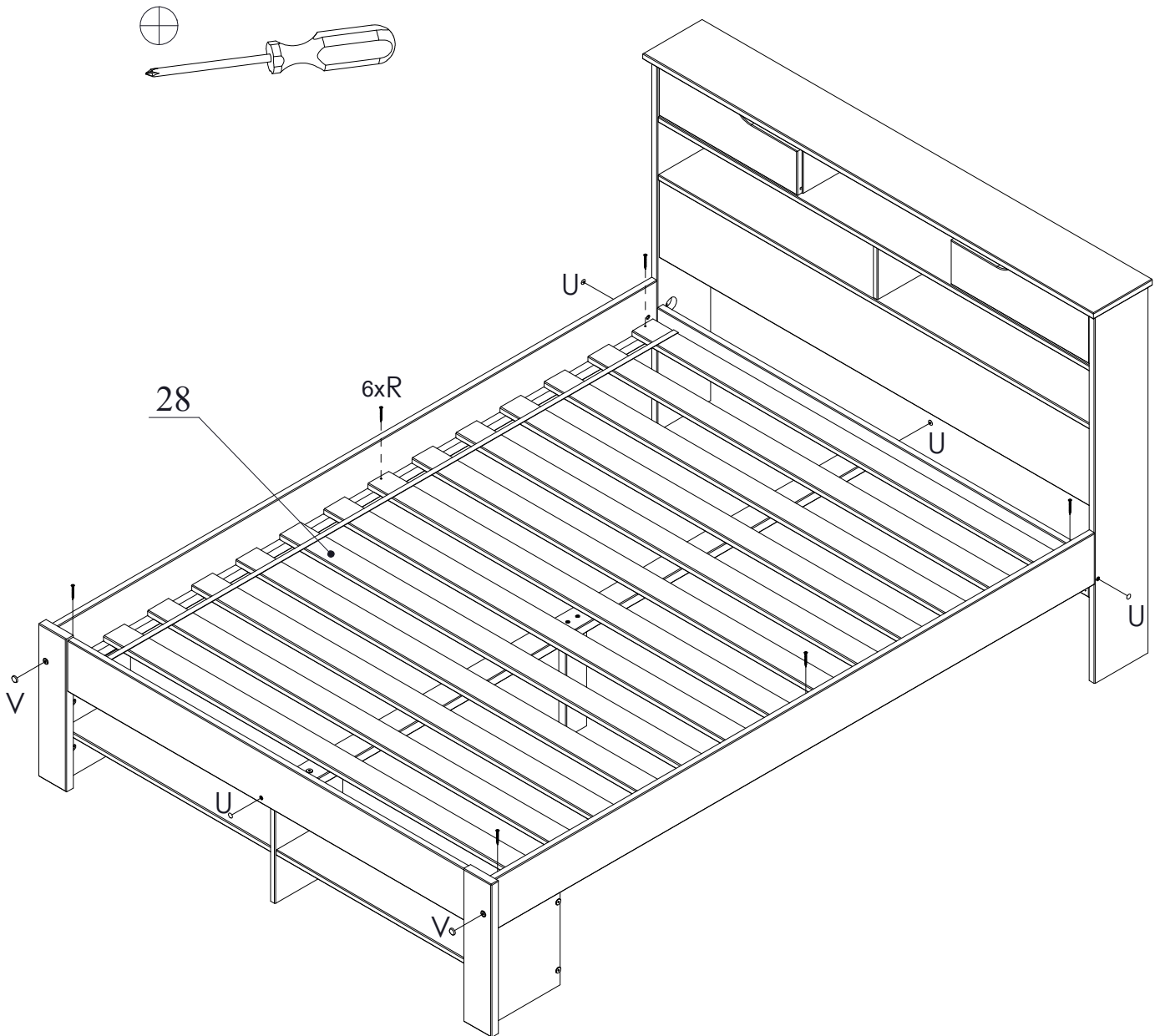
17






P		M6x60	x2
M		M6x10x13	x4
N		M6x65	x2
L		D35	x2

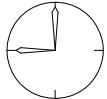
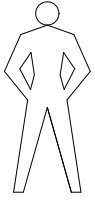
H		5x55	x1
J		7x50	x2
K		7x60	x2

18

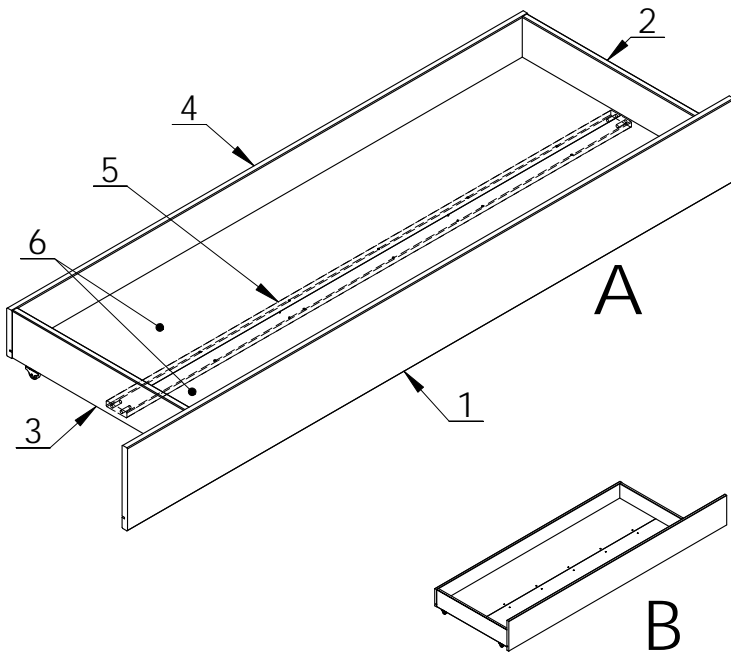
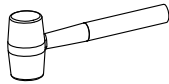
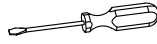


U		D4x13	x4
V		D15x18	x2
R		3,5x40	x6

SS42-106

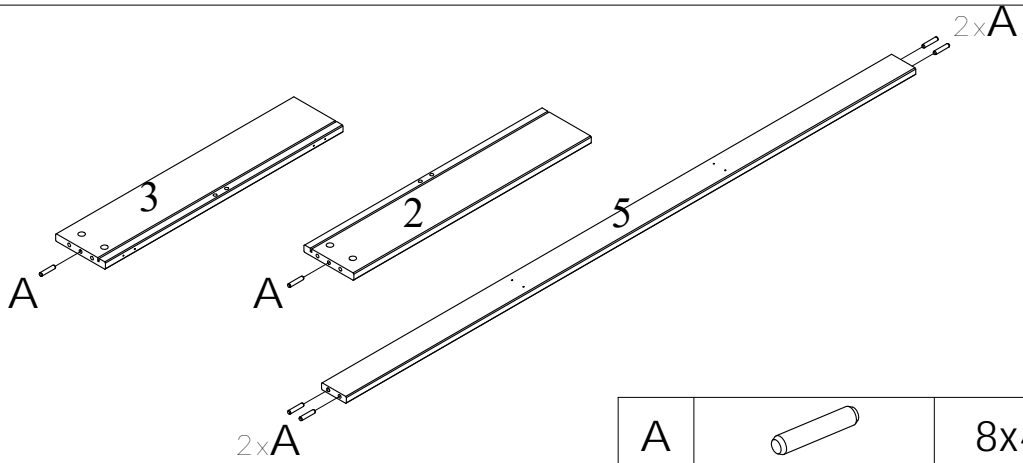
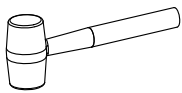


30min



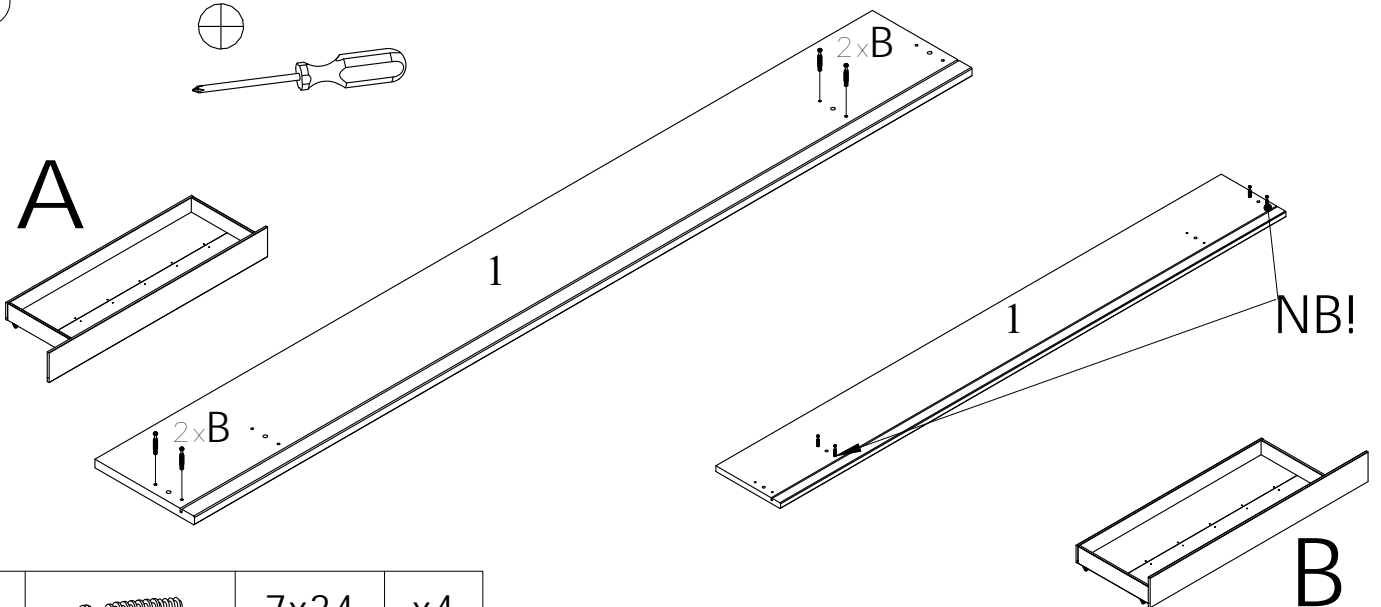
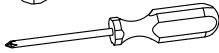
A		8x40	x6
B		7x34	x4
C		15x12	x4
D		3,5x40	x4
E		3,5x20	x2
F		1,2x16	x10
G		D26	x6
H		3,5x16	x12
J		5x35	x1
K		D19x19	x1

①



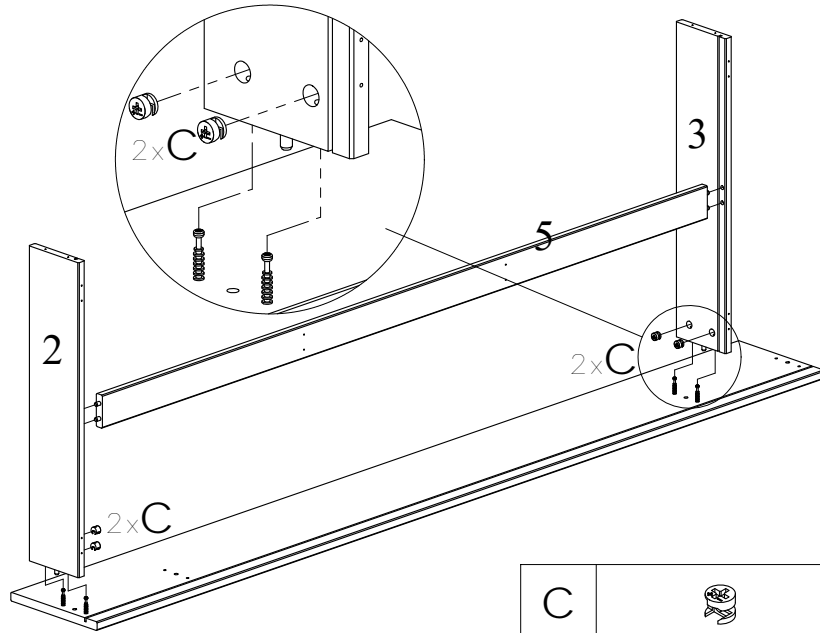
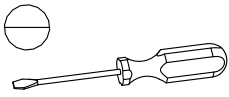
A		8x40	x6
---	--	------	----

②



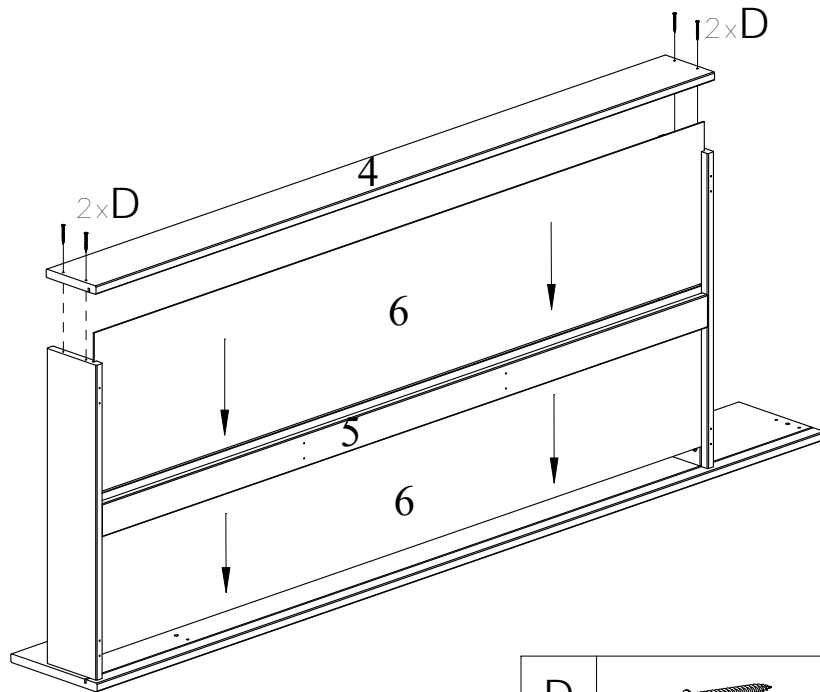
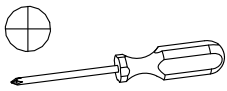
B		7x34	x4
---	--	------	----

3



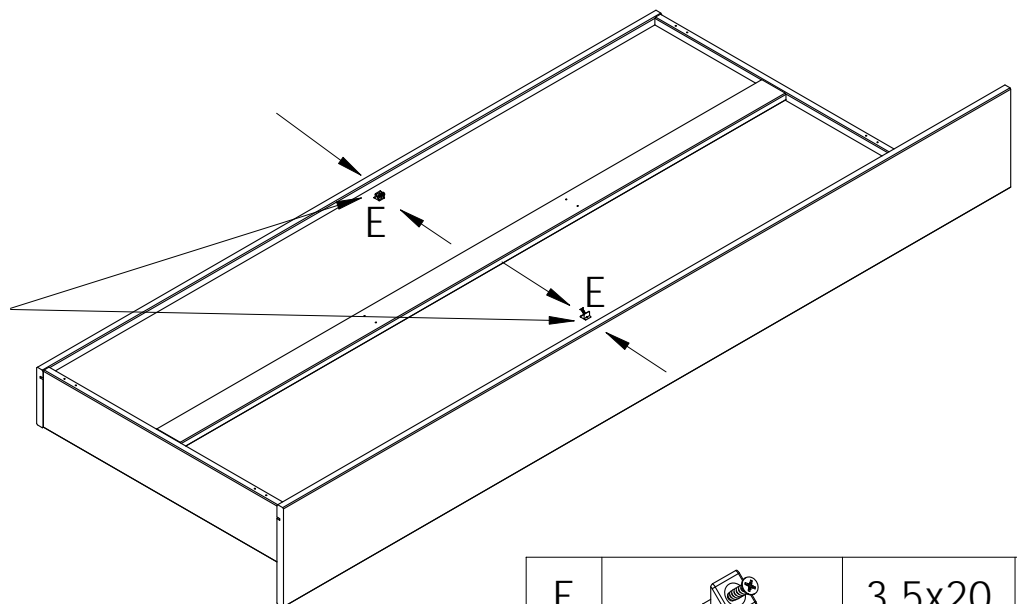
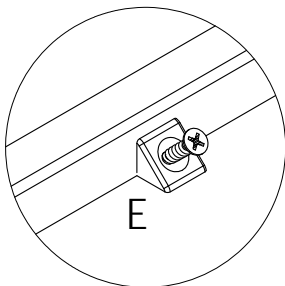
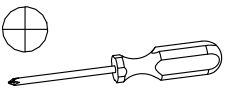
C		15x12	x4
---	--	-------	----

4



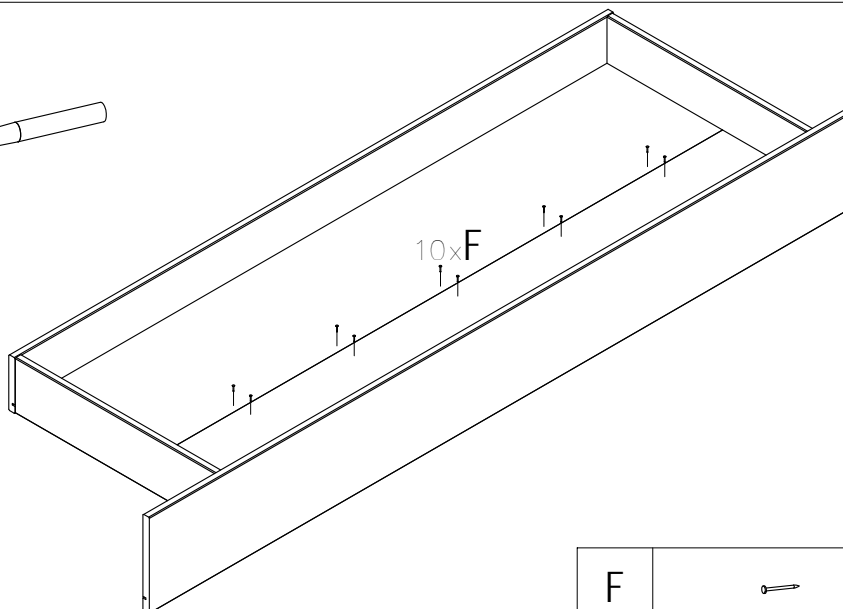
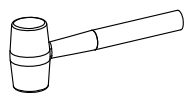
D		3,5x40	x4
---	--	--------	----

5



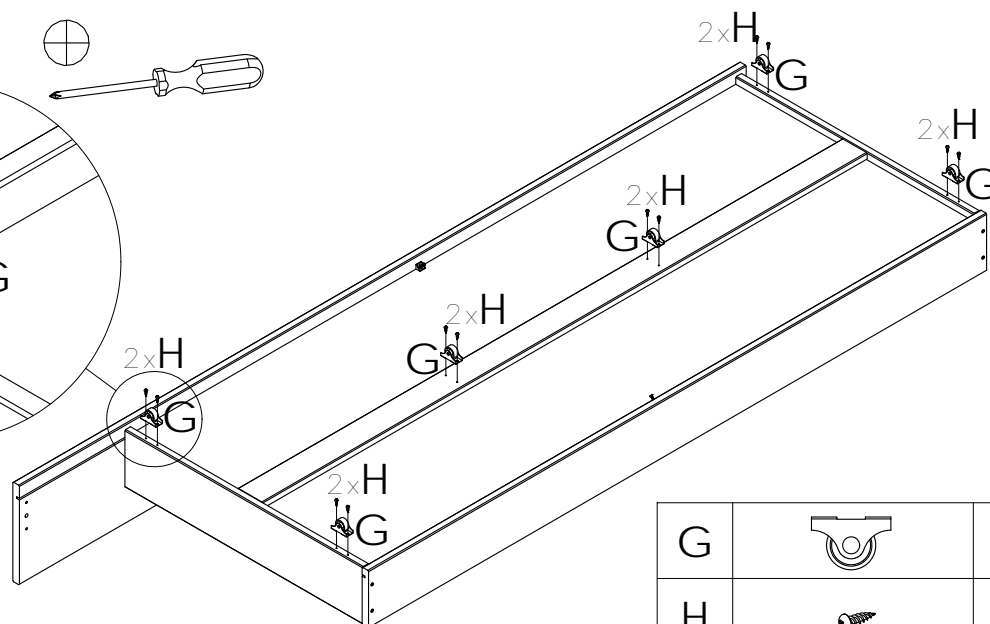
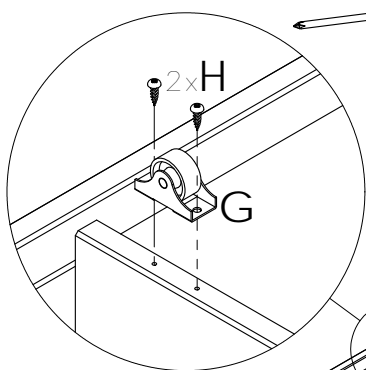
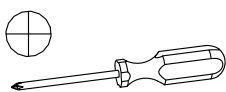
E		3,5x20	x2
---	--	--------	----

6



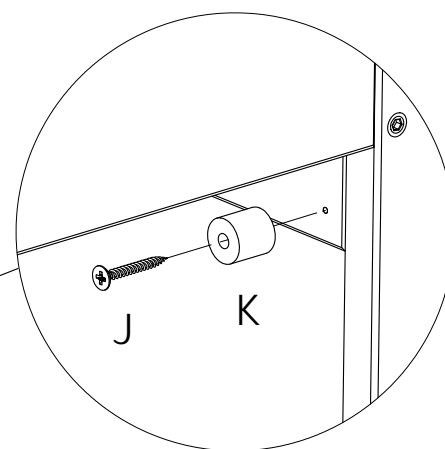
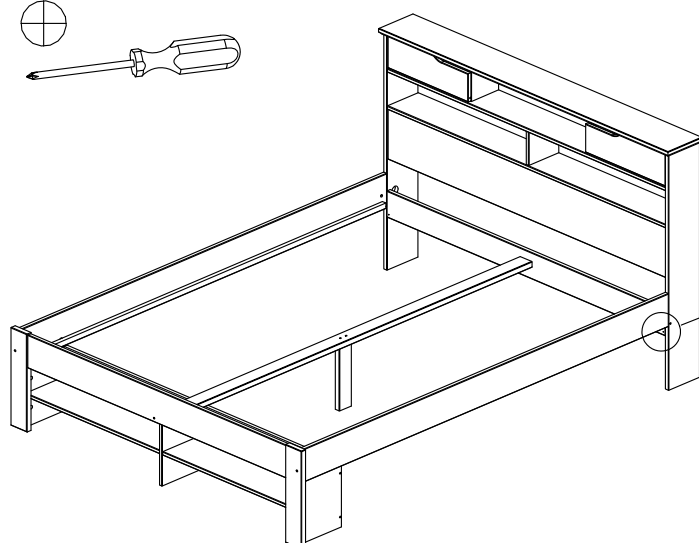
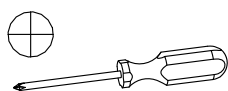
F		1,2x16	x10
---	--	--------	-----

7



G		D26	x6
H		3,5x16	x12

8



K		D19x19	x1
J		5x35	x1

Please dispose of all packaging safely.

## General Care & Maintenance

Wipe clean with a slightly damp cloth.  
Avoid the use of all household cleaners and abrasives.

Periodically check all screw & fixings to ensure they are secure.  
When moving your product, carefully lift into place. Never drag or push the pieces across the floor as this will cause damage to the joints and could result in failure to the product that will invalidate the warranty.

For more information on cleaning and product care visit:  
<https://www.happybeds.co.uk/help-and-advice>

## Notes

We've tried to make this product as easy to assemble as possible. In the unlikely event that you have problems putting it together or have damaged or missing pieces, please contact us by visiting:

<https://www.happybeds.co.uk/customer-service>



[www.happybeds.co.uk](http://www.happybeds.co.uk)

