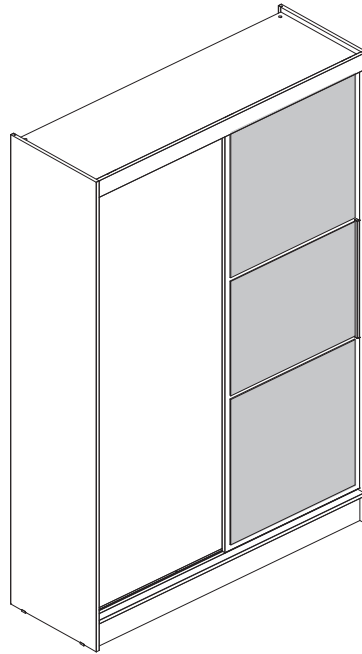




## Assembly Instructions

# Lynx 2 Door Sliding Mirrored Wardrobe



### Important before assembly:

Read these instructions carefully before assembling or using the product.

Please check the contents of the boxes before attempting to assemble this product. The instructions will have a checklist of parts and fittings.

It would be sensible to lay a rug or a carpet on the floor where you intend to assemble the product, to void scratches and damaging the product or the floor.

Assemble the product as close to its intended final location/room as possible.

Do NOT use any power tools as this may damage the frame.

### Health & Safety:

This product or some parts of this product will be heavy. Please use an assistant when lifting.

DO NOT jump on the product or any of its parts.

DO NOT use this product if any parts are missing, damaged or worn.

DO NOT use this product unless all fixings are secured.

Please keep small parts out of reach of children.

Always use on a level, even surface.

Please keep these instructions for future reference.



(Not metal)

These tools are not necessary, but may help to assemble certain parts of the product.

Do NOT use any power tools as this may damage the frame.



This product or some parts of this product will be heavy. Please use an assistant when lifting.

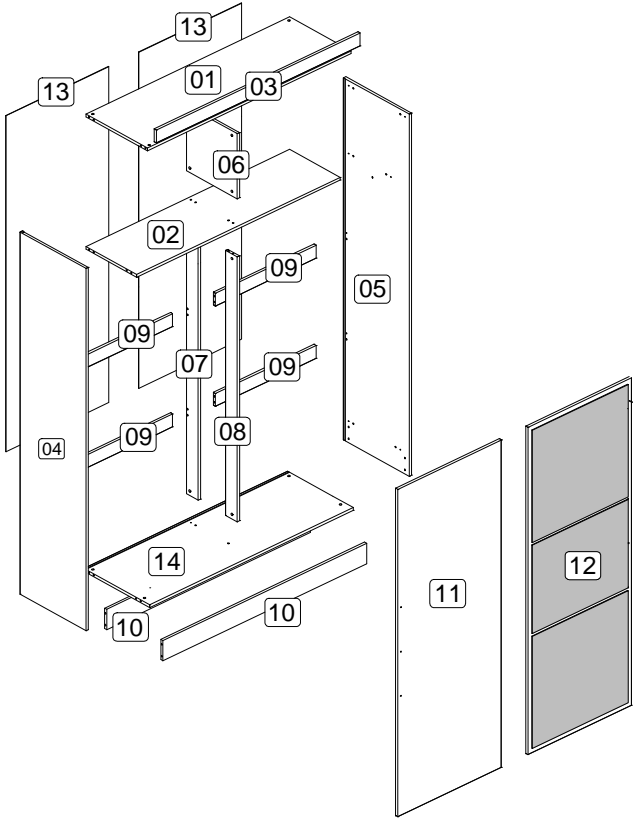


Never drag or push the pieces across a hard or stone floor as this will cause damage to the joints. Use a carpet or a rug for extra care.



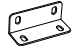

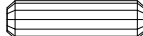


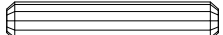

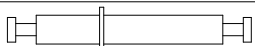


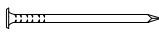



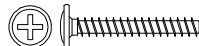
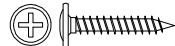




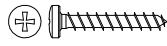







If you have problems assembling or have damaged or missing pieces, please contact us by visiting:

<https://www.happybeds.co.uk/customer-service>



**Identification of Accessories**

Part	Description	Qty
A	5 x 60 mm Screw 	1
B3	Bushing 	1
B5	Metalic Angle Plates 	3
C1	Metal Claw 	7
E	8 x 30mm Wooden Dowel 	28
E7	Small Plastic Foot 	4
E9	Strap 	1
F	8 x 50mm Wooden Dowel 	4
J	Simple Minifix Screw 	20
K	Double Minifix Screw 	4
L	Cam Lock 	28
M	Plastic Cap 	14
N	10 x 10mm Tack 	25
P5	3,5 x 14mm Screw 	2
R4	Hanging Rail 	1
S	3.5 x 14mm Screw 	13
T	3.5 x 25mm Screw 	6
V4	3.5 x 20mm Screw 	2
V5	Open Rail Support 	1
W3A	Upper Pulley 	4
W3B	Lower Pulley 	4
W3C	Door Stopper 	1
W3D	4.5 x 25mm Screw 	1
W3E	4 x 14mm Screw 	32
W4	Handle 	2
W5	Top Runner 	1
W6	Bottom Runner 	1
Z4	Rail Support 	2

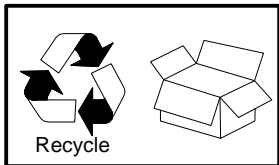
**Parts List**

Part	Description	Box	Qty
01	Top Panel	2	1
02	Shelf	1	1
03	Top Plinth	1	1
04	Left Panel	1	1
05	Right Panel	1	1
06	Shelf Divider	1	1
07	Back Support	1	1
08	Front Support	1	1
09	Back Rail	1	4
10	Bottom Plinth	1	2
11	Left Door	2	1
12	Right Door	2	1
13	Back Panel	2	2
14	Base Panel	1	1

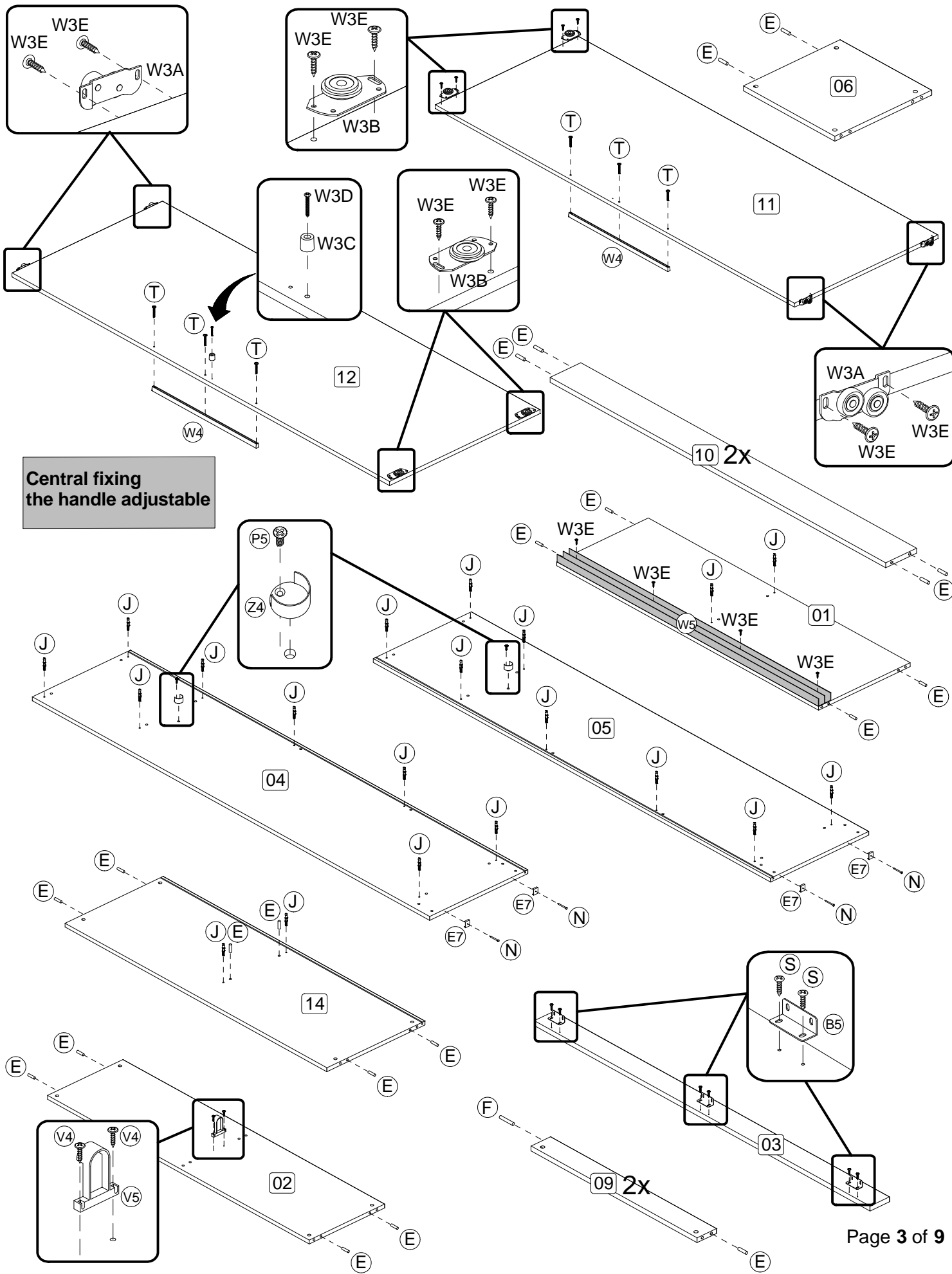
**\*\* You will need a small mallet and a screwdriver for assembly.**

**\*\* Some screws and wooden dowel may remain.**

**\*\* Wall plug and screw is supplied to attach strap to the wall.**

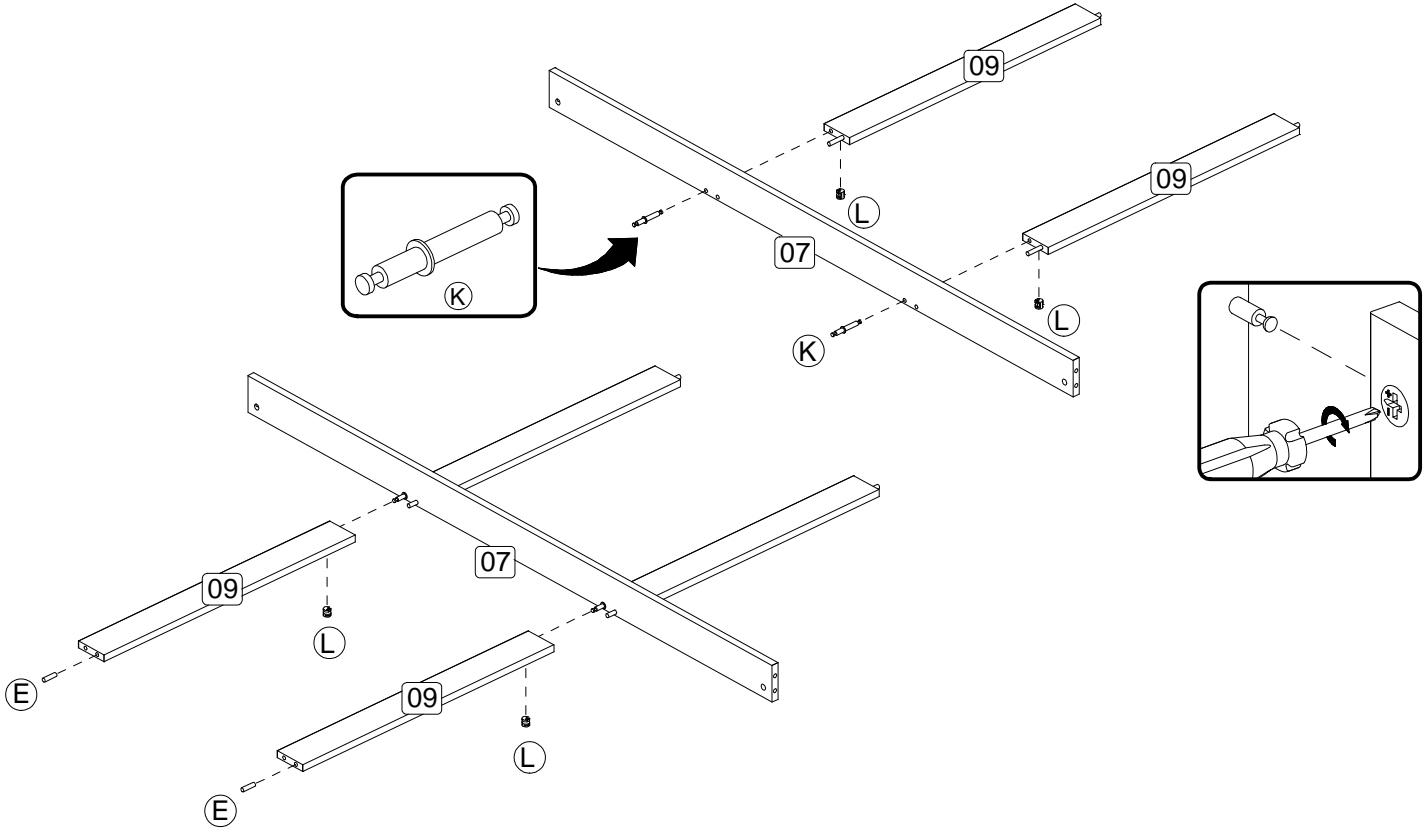


**Step 1:** Prepare these parts for assembly using hardware parts B5, E, E7, F, J, N, P5, S, V4, V5, W3A, W3B, W3C, W3D, W3E, W4, W5 and Z4. You will need to use a small mallet and a screwdriver (not provided). **DO NOT use any power tools as this may damage the frame and will invalidate any claim.**



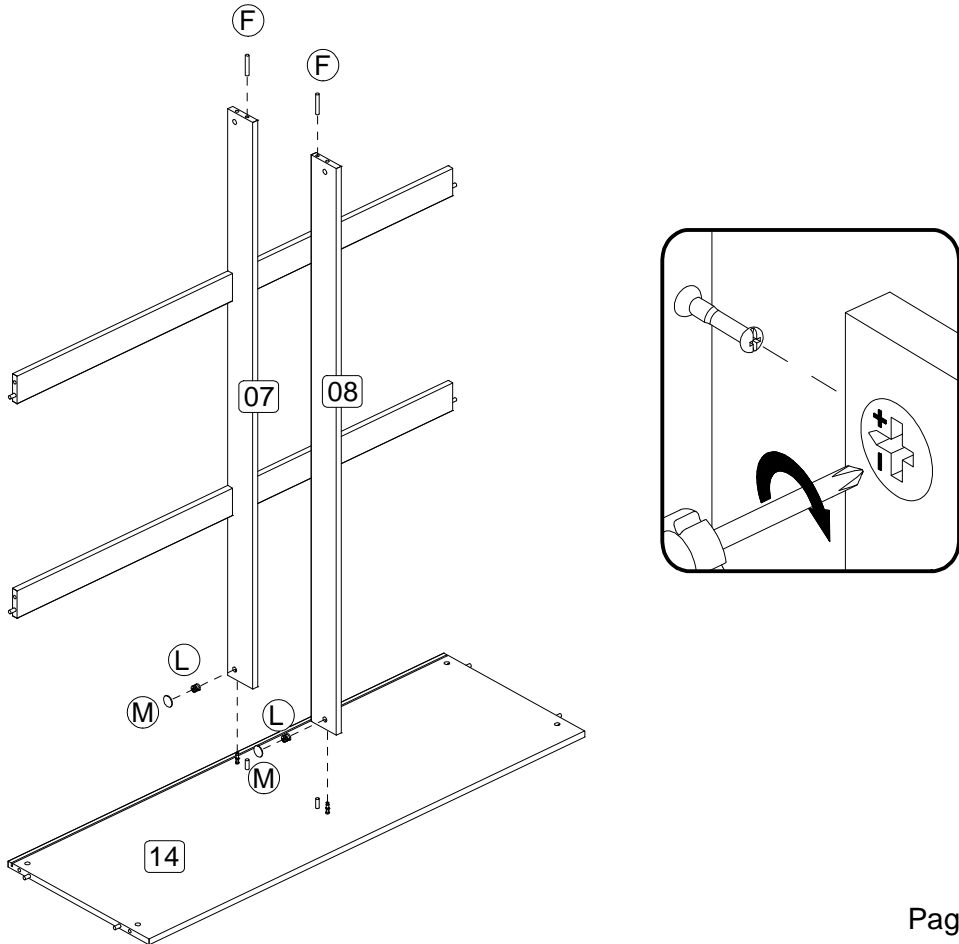
**Step 2:** Attach the back rails (9) to the back support (7) using hardware parts E, K and L with a small mallet and screwdriver (not provided).

**DO NOT use any power tools as this may damage the frame and will invalidate any claim.**

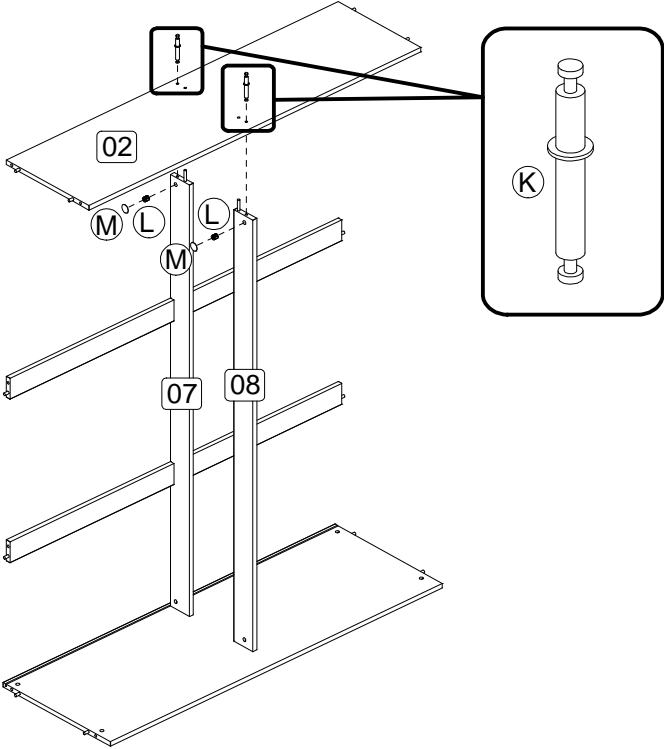


**Step 3:** Attach the back support (7) and front support (8) to the base panel (14) using hardware parts F, L and M with a small mallet and a screwdriver (not provided).

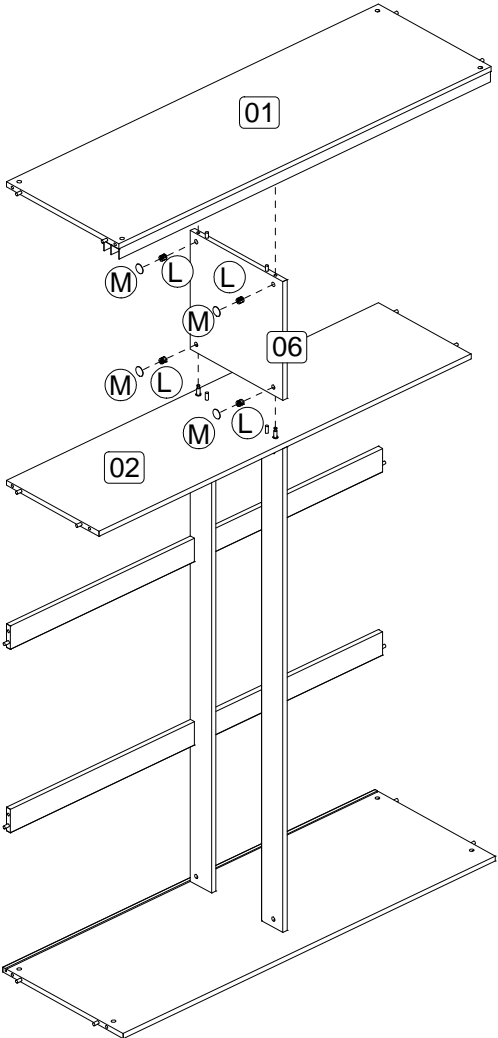
**DO NOT use any power tools as this may damage the frame and will invalidate any claim.**



**Step 4:** Attach the shelf (2) using hardware parts K, L and M with a screwdriver (not provided).  
**DO NOT use any power tools as this may damage the frame and will invalidate any claim.**

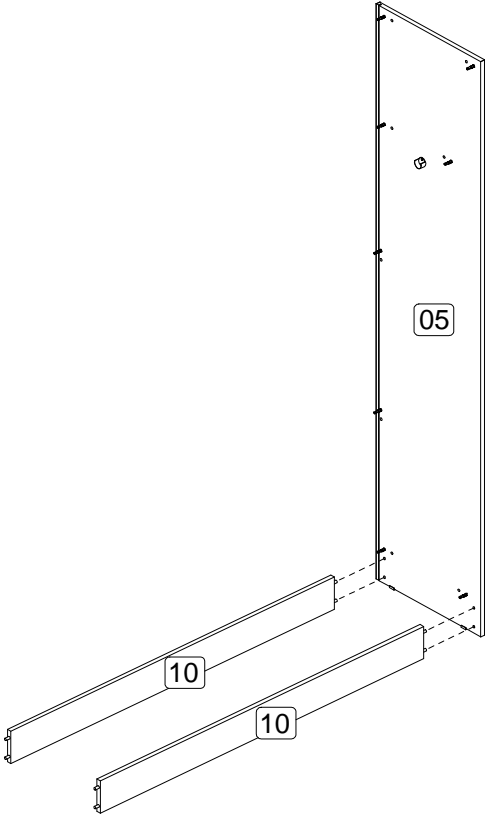


**Step 5:** Attach the self divider (6) and the top panel (1) using hardware parts L and M with a screwdriver (not provided).  
**DO NOT use any power tools as this may damage the frame and will invalidate any claim.**



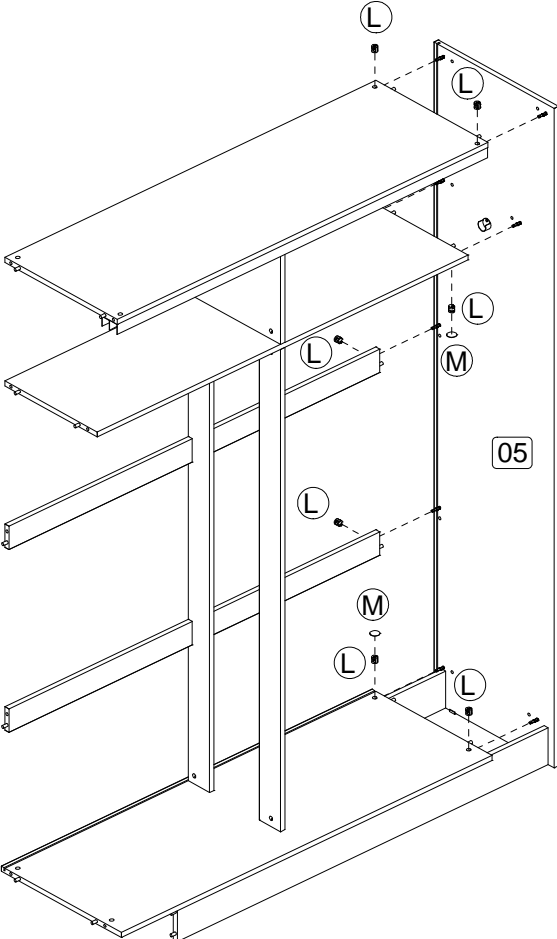
**Step 6:** Attach the bottom plinths (10) to the right panel (5).

**DO NOT use any power tools as this may damage the frame and will invalidate any claim.**



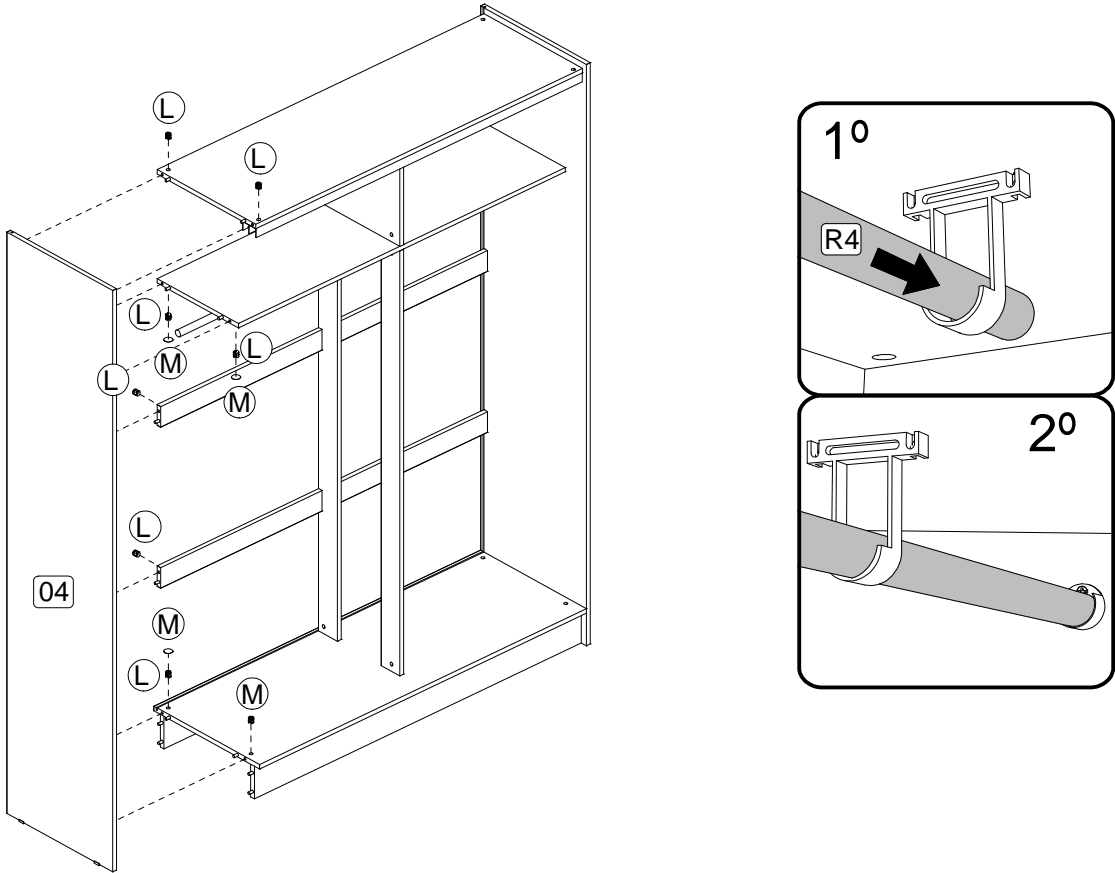
**Step 7:** Join the assembled inner frame section of the assembled side frame section using hardware parts L and M with a screwdriver (not provided).

**DO NOT use any power tools as this may damage the frame and will invalidate any claim.**



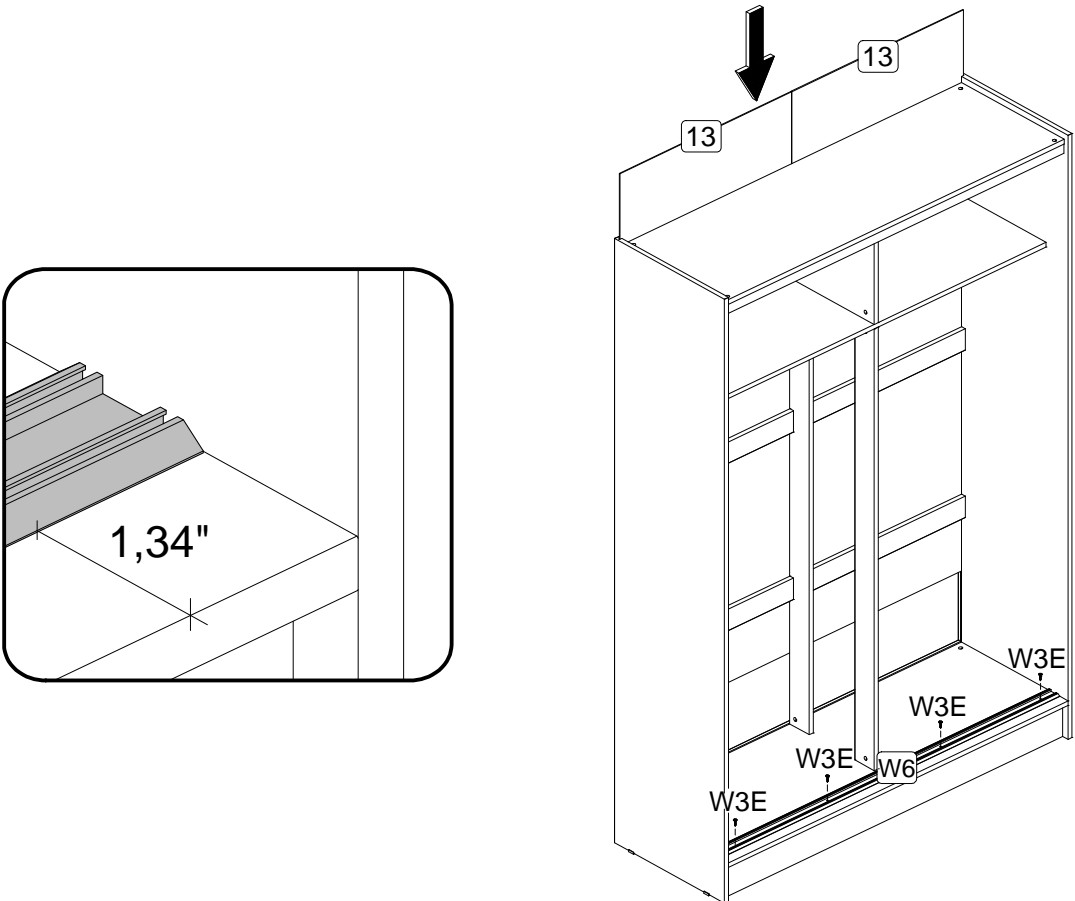
**Step 8:** Position the hanging rail R4 then attach the left panel (4) using hardware parts L and M with a screwdriver (not provided)

**DO NOT use any power tools as this may damage the frame and will invalidate any claim.**



**Step 9:** Put the back panels (13) in place and fix the bottom runner W6 using hardware part W3E and a screwdriver (not provided).

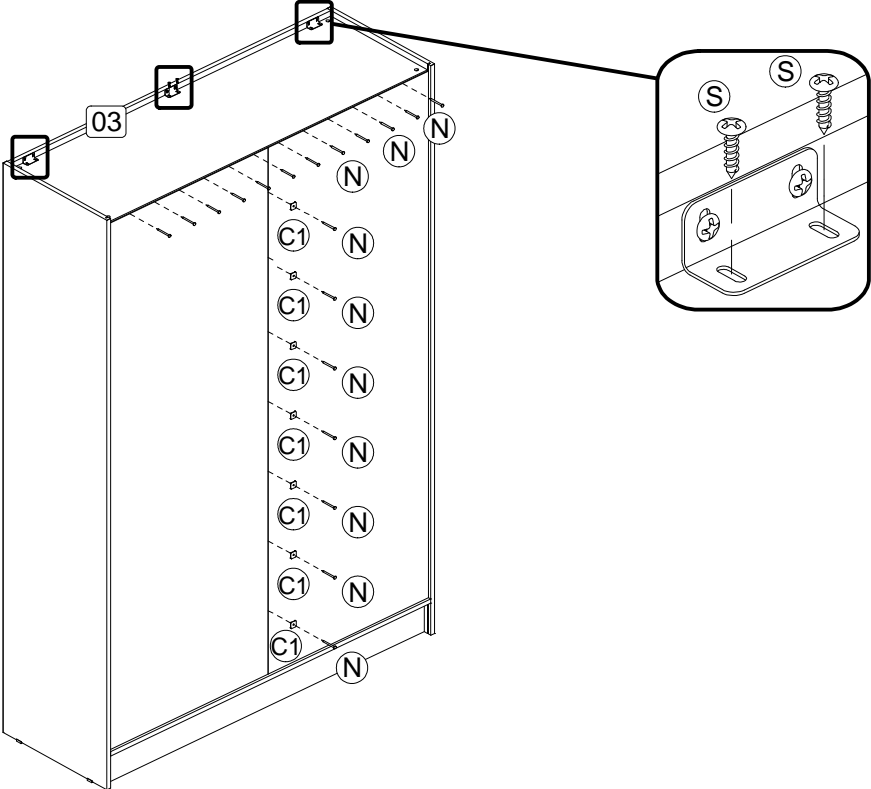
**DO NOT use any power tools as this may damage the frame and will invalidate any claim.**





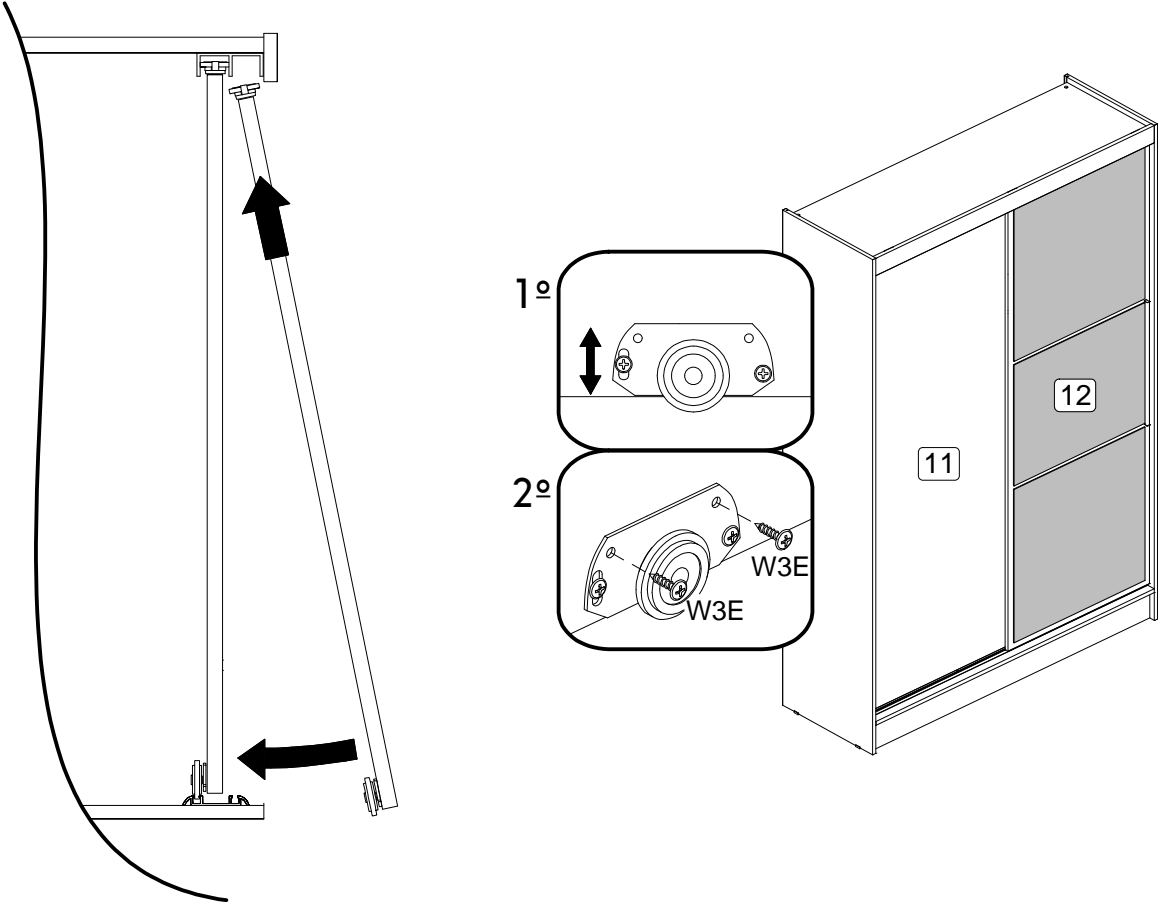
**Step 10:** Secure the back panels (13) using hardware parts C1 and N with a small mallet (not provided). Attach the top plinth (3) using hardware part S with screwdriver (not provided).

**DO NOT use any power tools as this may damage the frame and will invalidate any claim.**

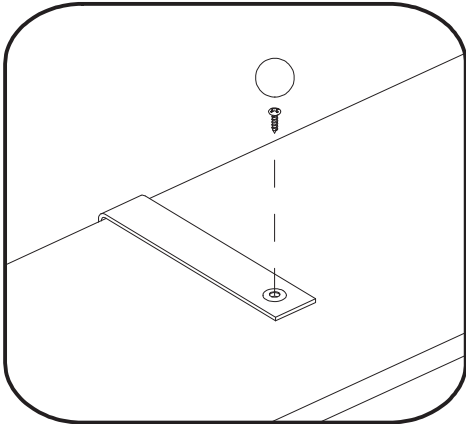
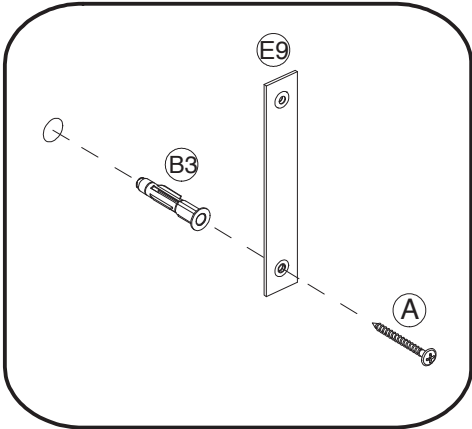


**Step 11:** Attach the doors (11) and (12) as shown in the diagram.

**DO NOT use any power tools as this may damage the frame and will invalidate any claim.**



**Step 12:** To secure the item to the wall use hardware parts A, B3 and E9 using a drilling machine (not provided) and a screwdriver (not provided). Then attach hardware part S to the item with a screwdriver (not provided). **Birlea Furniture advise you use the wall straps provided to further enhance the safety of this product.**



Please dispose of all packaging safely.

## General Care & Maintenance

Wipe clean with a slightly damp cloth.  
Avoid the use of all household cleaners and abrasives.

Periodically check all screw & fixings to ensure they are secure.  
When moving your product, carefully lift into place. Never drag or push the pieces across the floor as this will cause damage to the joints and could result in failure to the product that will invalidate the warranty.

For more information on cleaning and product care visit:  
<https://www.happybeds.co.uk/help-and-advice>

## Notes

We've tried to make this product as easy to assemble as possible. In the unlikely event that you have problems putting it together or have damaged or missing pieces, please contact us by visiting:

<https://www.happybeds.co.uk/customer-service>



[www.happybeds.co.uk](http://www.happybeds.co.uk)

