



Assembly Instructions

Lynx 4 Drawer Chest



Important before assembly:

Read these instructions carefully before assembling or using the product.

Please check the contents of the boxes before attempting to assemble this product. The instructions will have a checklist of parts and fittings.

It would be sensible to lay a rug or a carpet on the floor where you intend to assemble the product, to void scratches and damaging the product or the floor.

Assemble the product as close to its intended final location/room as possible.

Do NOT use any power tools as this may damage the frame.

Health & Safety:

This product or some parts of this product will be heavy. Please use an assistant when lifting.

DO NOT jump on the product or any of its parts.

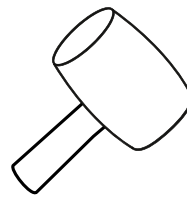
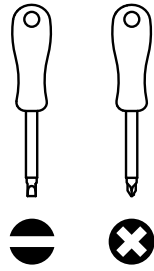
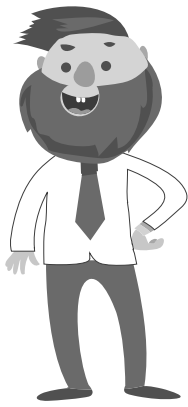
DO NOT use this product if any parts are missing, damaged or worn.

DO NOT use this product unless all fixings are secured.

Please keep small parts out of reach of children.

Always use on a level, even surface.

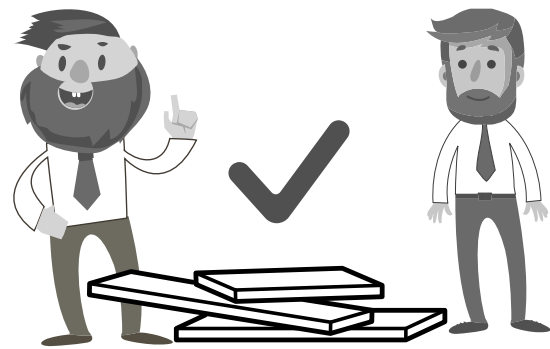
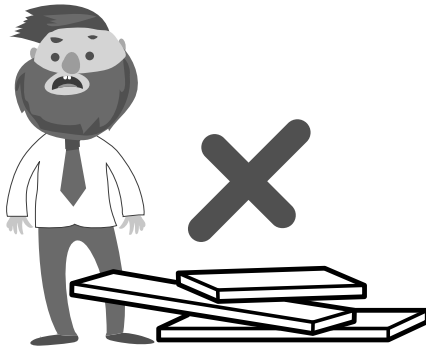
Please keep these instructions for future reference.



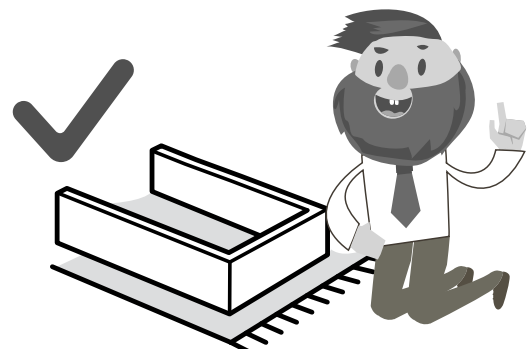
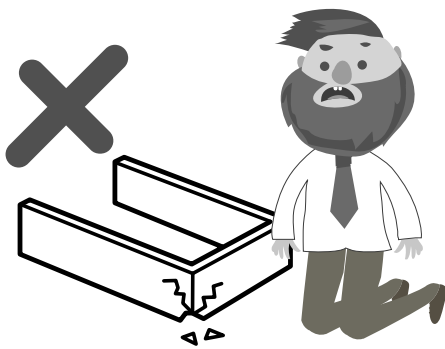
(Not metal)

These tools are not necessary, but may help to assemble certain parts of the product.

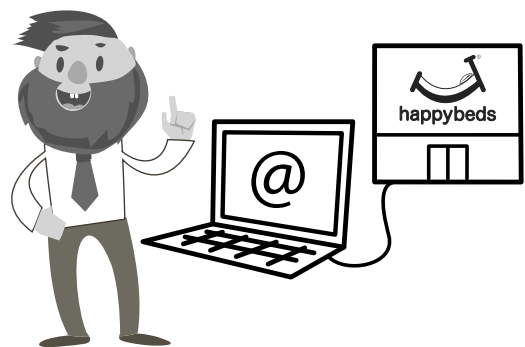
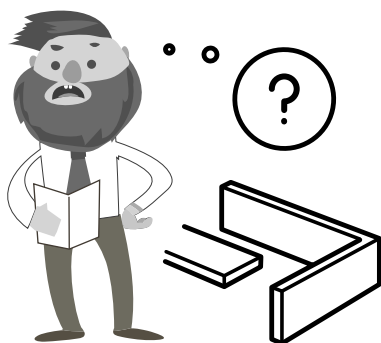
Do NOT use any power tools as this may damage the frame.



This product or some parts of this product will be heavy. Please use an assistant when lifting.

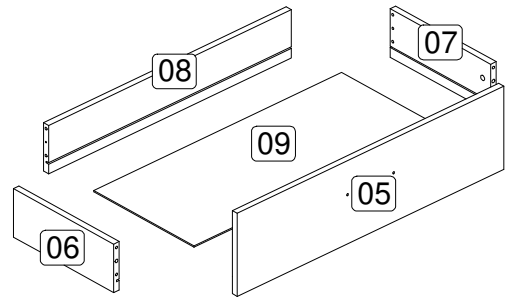
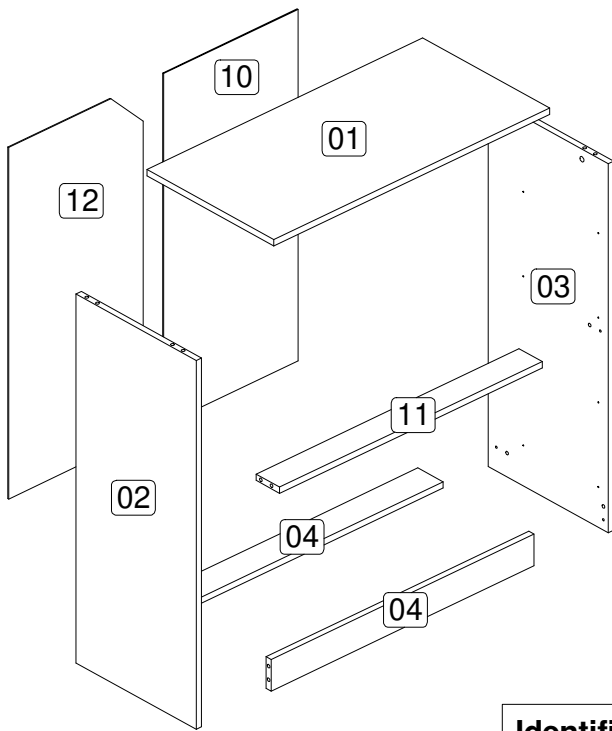


Never drag or push the pieces across a hard or stone floor as this will cause damage to the joints. Use a carpet or a rug for extra care.



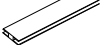

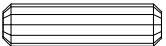


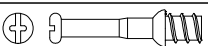


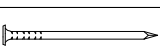
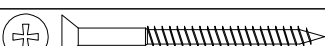
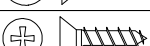

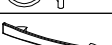

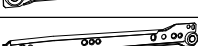




If you have problems assembling or have damaged or missing pieces, please contact us by visiting:

<https://www.happybeds.co.uk/customer-service>



Identification of Accessories

Part	Description	Qty
A	5 x 60 mm Screw 	1
A1	Glue 	1
A6	Spine 	1
B3	Bushing 	1
E	8 x 30mm Wooden Dowel 	42
E7	Small Plastic Foot 	4
E9	Strap 	1
J	Simple Minifix Screw 	18
L	Cam Lock 	18
M	Plastic Cap 	8
N	10 x 10mm Tack 	35
O	4.5 x 45mm Screw 	8
P5	3,5 x 14mm Screw 	33
T	3.5 x 25mm Screw 	8
W2	Handles 	4
XA	Metallic slide the left field 	4
XB	Metallic slide the right field 	4
XC	Drawer slide left 	4
XD	Drawer slide right 	4

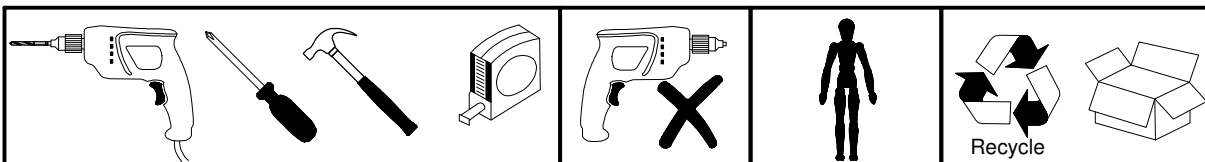
Parts List

Part	Description	Box	Qty
01	Top Panel	1	1
02	Left Panel	1	1
03	Right Panel	1	1
04	Plinth	1	2
05	Drawer Front	1	4
06	Left Drawer Panel	1	4
07	Right Drawer Panel	1	4
08	Drawer Back	1	4
09	Drawer Base	1	4
10	Back Panel	1	1
11	Centre Support	1	1
12	Back Panel	1	1

**** You will need a small mallet and a screwdriver for assembly.**

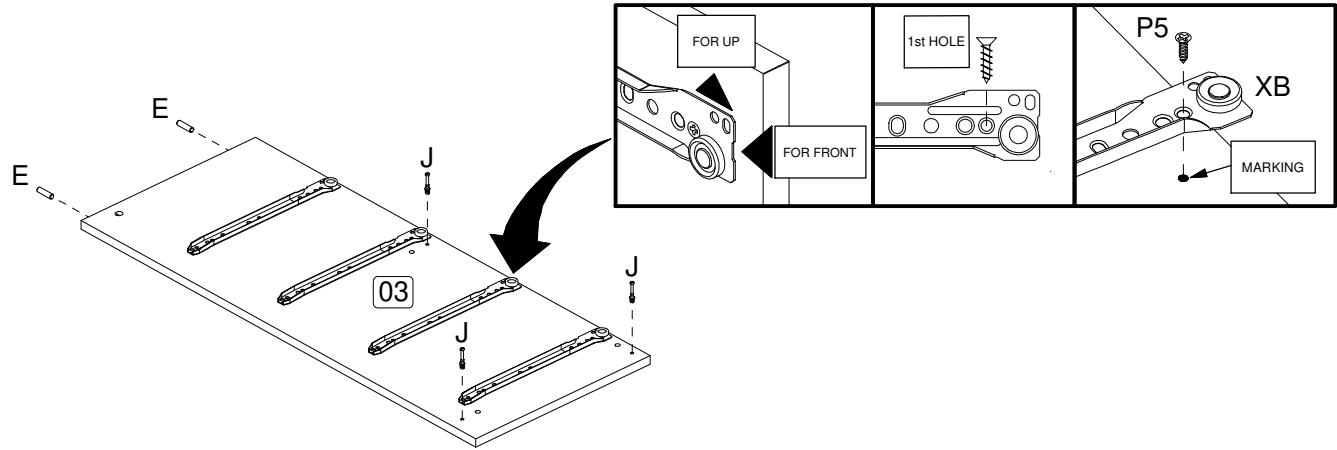
**** Some screws and wooden dowel may remain.**

**** Wall plug and screw is supplied to attach strap to the wall.**



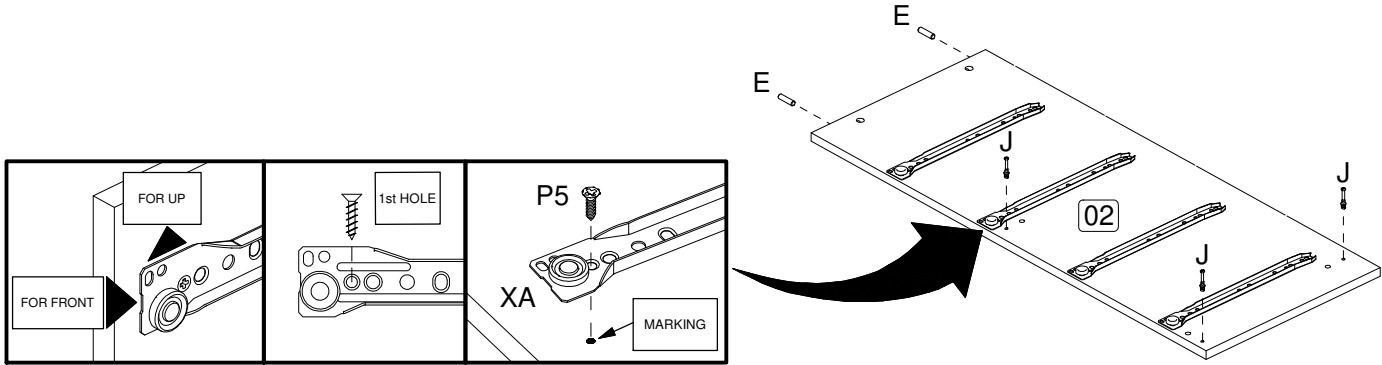
Step 1: Attach the metallic slide (XB) to the right panel (3) using hardware part P5. Insert hardware part E using a small mallet (not provided) and the part J using screwdriver (not provided).

DO NOT use any power tools as this may damage the frame and will invalidate any claim.



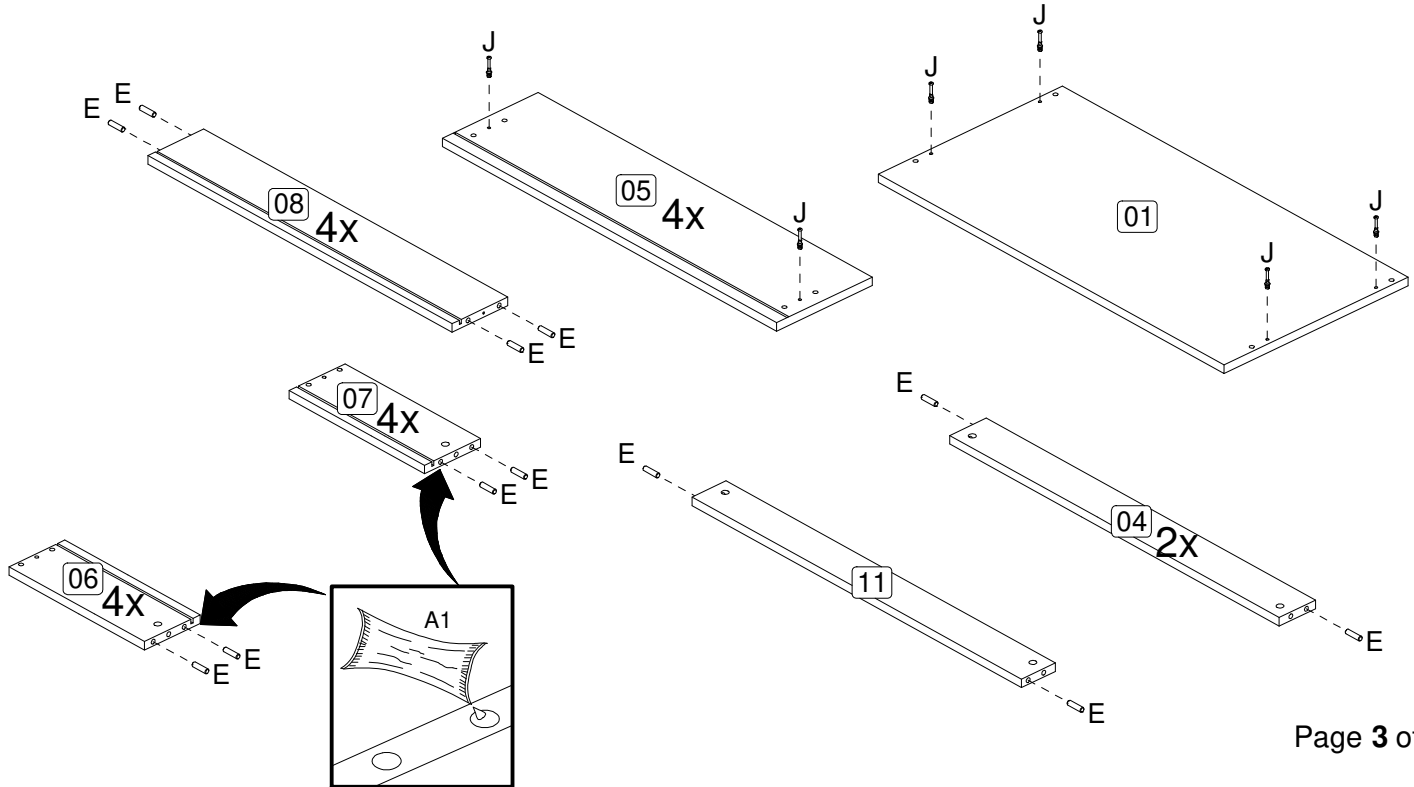
Step 2: Attach the metallic slide (XA) to the left panel (2) using hardware part P5. Insert hardware part E using a small mallet (not provided) and the part J using screwdriver (not provided).

DO NOT use any power tools as this may damage the frame and will invalidate any claim.



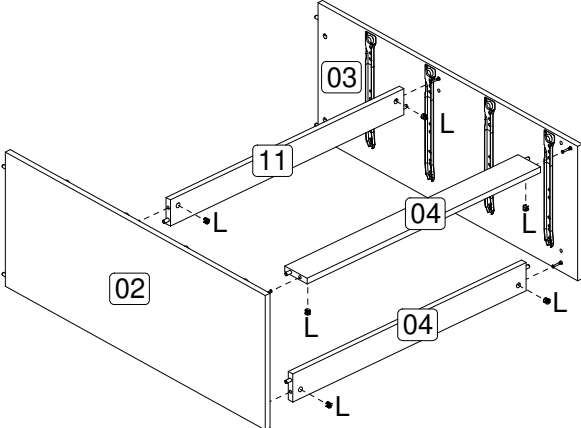
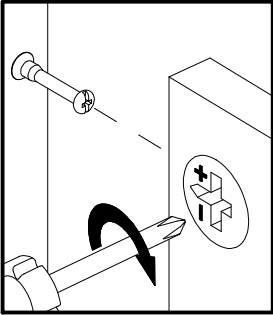
Step 3: Insert hardware parts E and J as shown using hardware part A1, a small mallet and a screwdriver (not provided).

DO NOT use any power tools as this may damage the frame and will invalidate any claim.



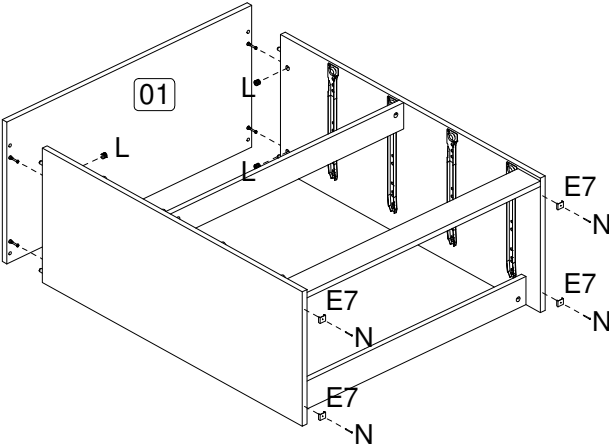
Step 4: Attach the left panel (2) and right panel (3) to the plinths (4) and centre support (11) using hardware part L and a screwdriver (not provided).

DO NOT use any power tools as this may damage the frame and will invalidate any claim.



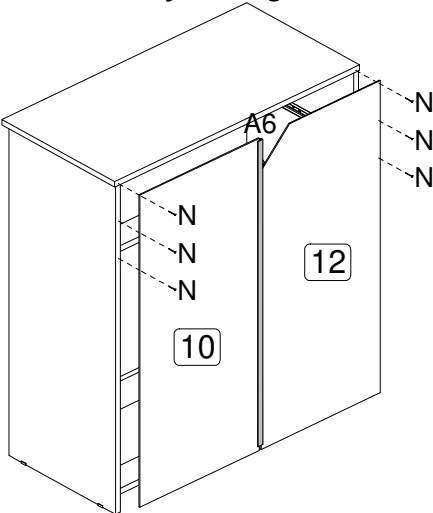
Step 5: Attach the top panel (1) using hardware parts L then attach hardware parts E7 to the base using hardware part N. You will need to use a screwdriver (not provided).

DO NOT use any power tools as this may damage the frame and will invalidate any claim.

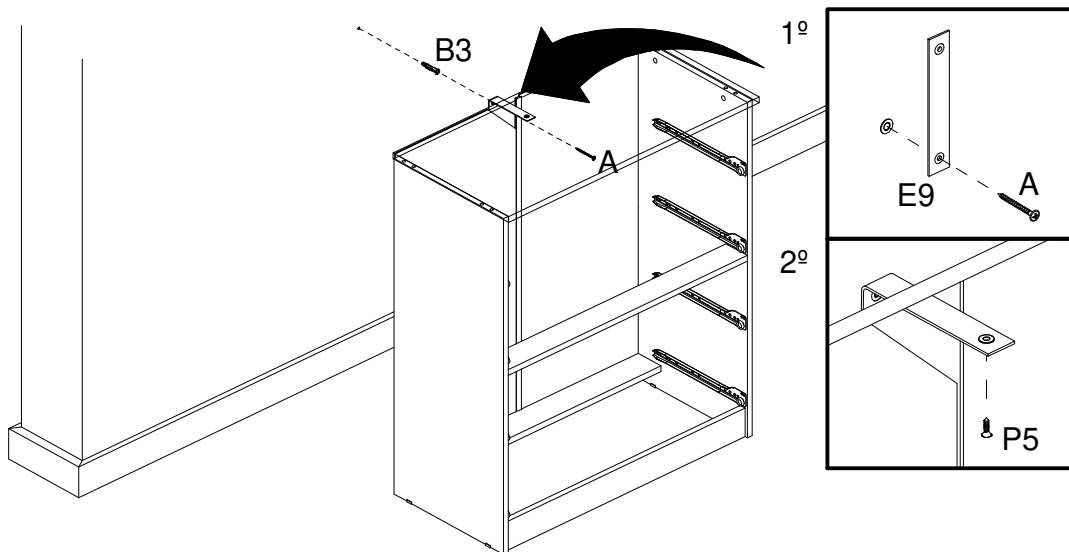


Step 6: Connect the back panels (10) using the spine (A6) and secure using hardware part N and a small mallet (not provided).

DO NOT use any power tools as this may damage the frame and will invalidate any claim.

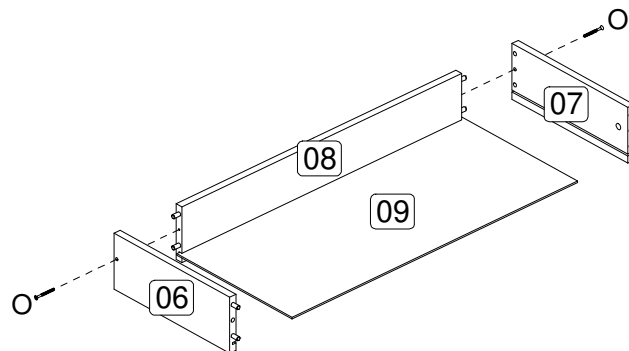


Step 7: To secure the item to the wall use hardware parts A, B3 and E9 using a drilling machine (not provided) and a screwdriver (not provided). Then attach hardware part P5 to the item with a screwdriver (not provided).
Birlea Furniture advise you use the wall straps provided to further enhance the safety of this product.



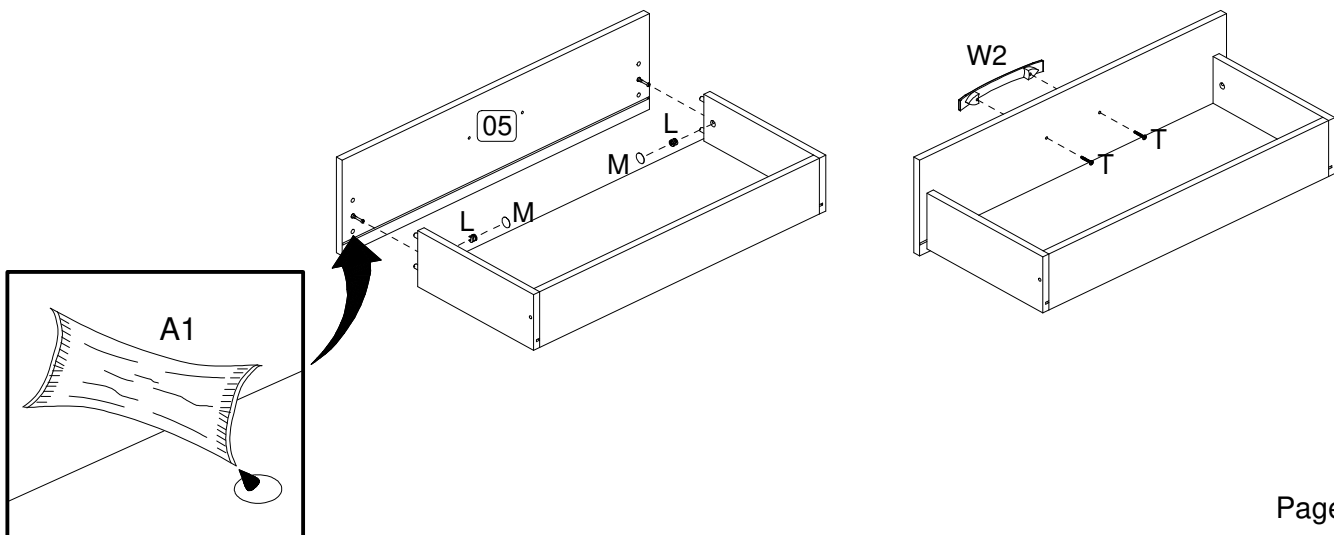
Step 8: Attach the left drawer panel (6) and right drawer panel (7) to the drawer back (8) and 9 using hardware part O and a screwdriver (not provided).

DO NOT use any power tools as this may damage the frame and will invalidate any claim.



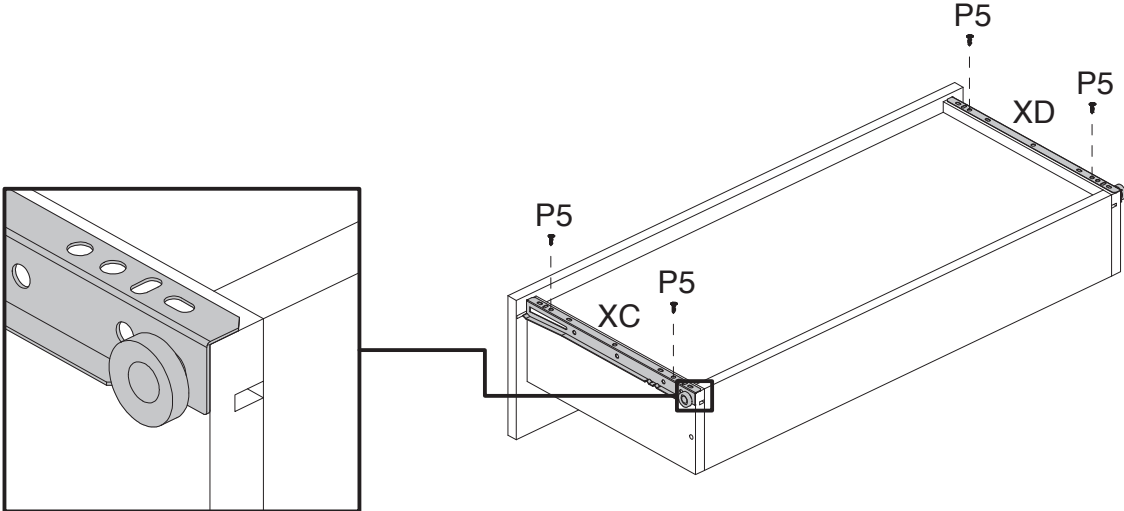
Step 9: Attach the drawer front (5) using hardware part A1, L and M with a screwdriver (not provided). Attach the handle W2 using hardware part T with a screwdriver (not provided).

DO NOT use any power tools as this may damage the frame and will invalidate any claim.

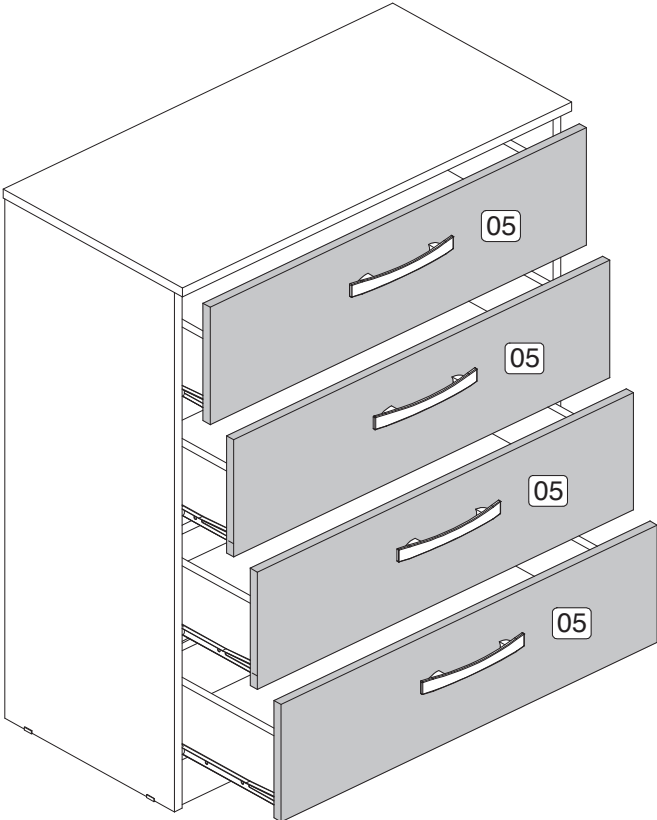
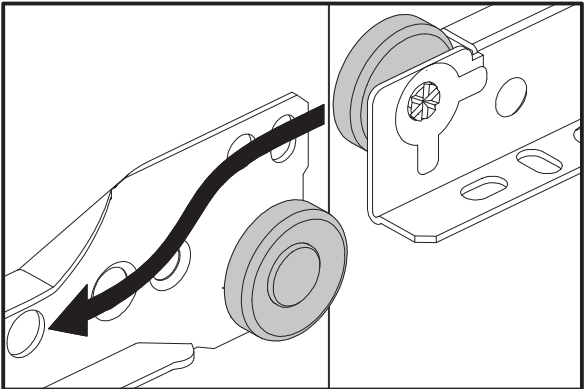


Step 10: Attach the drawer slide XC e XD in the underside of the drawer using hardware part P5 with a screwdriver (not provided).

DO NOT use any power tools as this may damage the frame and will invalidate any claim.



Step 11: Insert the drawers on the metallic slide as shown bellow.



Please dispose of all packaging safely.

General Care & Maintenance

Wipe clean with a slightly damp cloth.
Avoid the use of all household cleaners and abrasives.

Periodically check all screw & fixings to ensure they are secure.
When moving your product, carefully lift into place. Never drag or push the pieces across the floor as this will cause damage to the joints and could result in failure to the product that will invalidate the warranty.

For more information on cleaning and product care visit:
<https://www.happybeds.co.uk/help-and-advice>

Notes

We've tried to make this product as easy to assemble as possible. In the unlikely event that you have problems putting it together or have damaged or missing pieces, please contact us by visiting:

<https://www.happybeds.co.uk/customer-service>



www.happybeds.co.uk

