



Assembly Instructions

Lynx 6 Drawer Chest



Important before assembly:

Read these instructions carefully before assembling or using the product.

Please check the contents of the boxes before attempting to assemble this product. The instructions will have a checklist of parts and fittings.

It would be sensible to lay a rug or a carpet on the floor where you intend to assemble the product, to void scratches and damaging the product or the floor.

Assemble the product as close to its intended final location/room as possible.

Do NOT use any power tools as this may damage the frame.

Health & Safety:

This product or some parts of this product will be heavy. Please use an assistant when lifting.

DO NOT jump on the product or any of its parts.

DO NOT use this product if any parts are missing, damaged or worn.

DO NOT use this product unless all fixings are secured.

Please keep small parts out of reach of children.

Always use on a level, even surface.

Please keep these instructions for future reference.



(Not metal)

These tools are not necessary, but may help to assemble certain parts of the product.

Do NOT use any power tools as this may damage the frame.



This product or some parts of this product will be heavy. Please use an assistant when lifting.

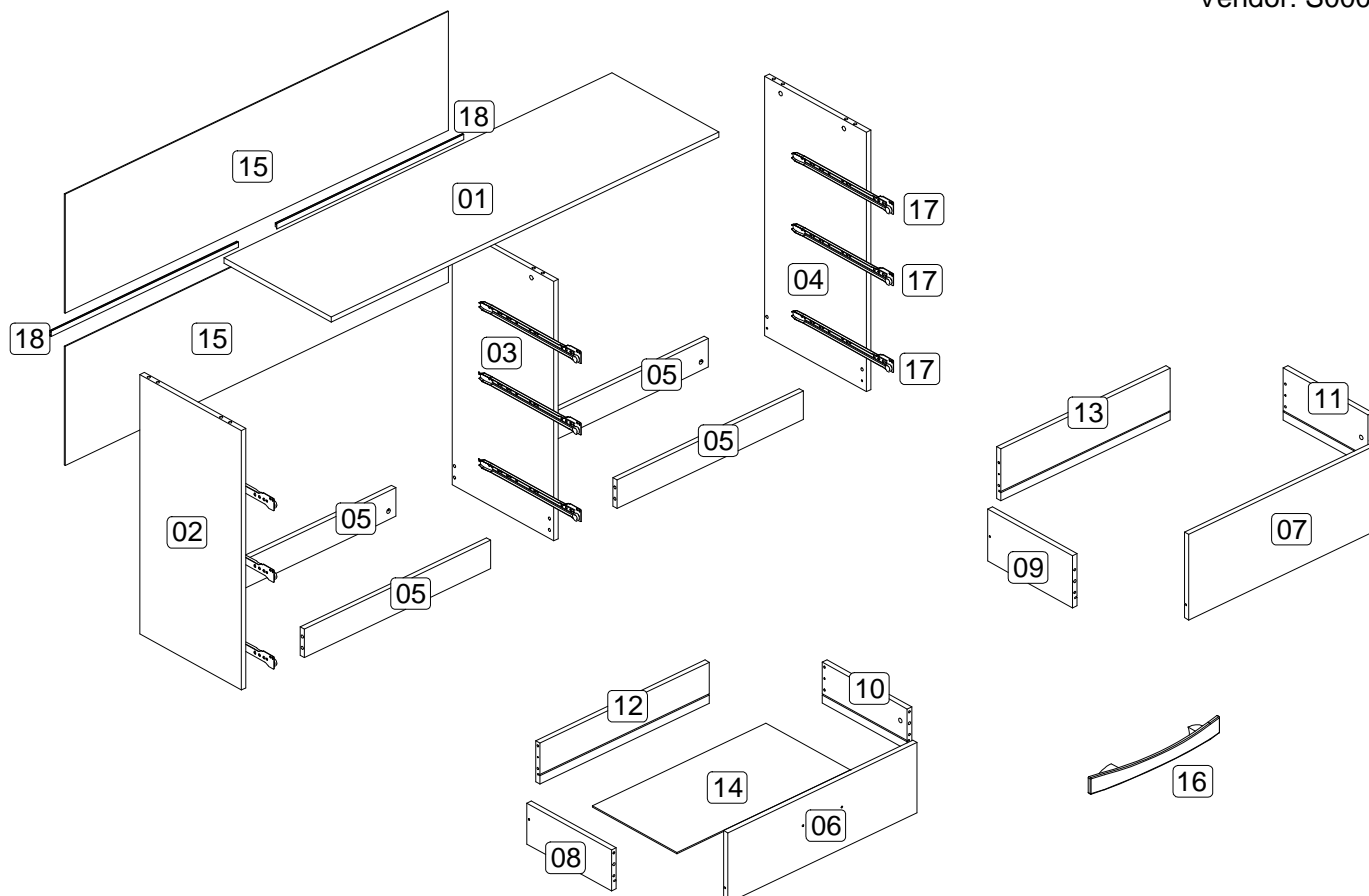


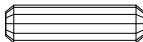

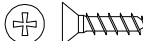
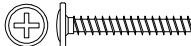

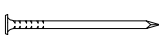




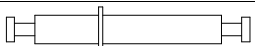





Never drag or push the pieces across a hard or stone floor as this will cause damage to the joints. Use a carpet or a rug for extra care.



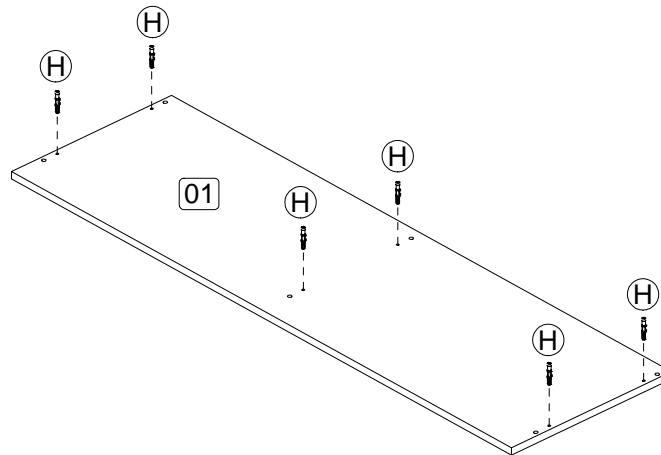
If you have problems assembling or have damaged or missing pieces, please contact us by visiting:

<https://www.happybeds.co.uk/customer-service>

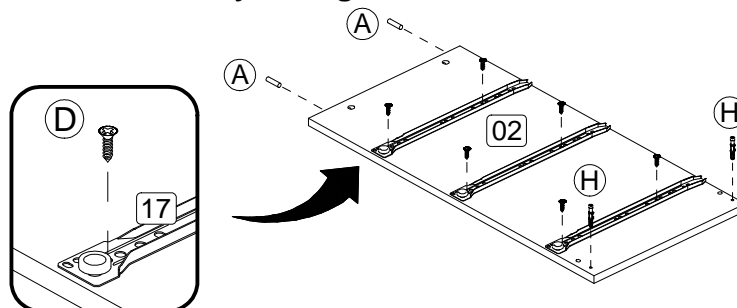


Parts List			Hardware List		
Part	Description	Qty	Part	Description	Qty
01	Top Panel	1	A	8 x 30mm Wooden Dowel 	58
02	Left Panel	1	C	Plastic Cap 	12
03	Centre Panel	1	D	3 x 14mm Screw 	37
04	Right Panel	1	E	3.5 x 25mm Screw 	12
05	Plinth	4	F	4.5 x 45mm Screw 	12
06	Small Drawer Front	4	G	10 x 10mm Tack 	45
07	Large Drawer Front	2	H	Simple Minifix Screw 	22
08	Left Side Panel - Small Drawer	4	I	Cam Lock 	26
09	Left Side Panel - Large Drawer	2	J	Glue 	1
10	Right Side Panel – Small Drawer	4	K	Small Plastic Foot 	6
11	Right Side Panel – Large Drawer	2	L	Double Minifix Screw 	2
12	Small Drawer Back	4	M	6 x 8mm Screw 	12
13	Large Drawer Back	2	N	8 x 50mm Wooden Dowel 	2
14	Drawer Base	6	O	Strap 	1
15	Back Panel	2	P	Bushing 	1
16	Handles	6	Q	5 x 60 mm Screw 	1
17	Drawer Runners	6	** You will need a small mallet and a screwdriver for assembly. ** Some screws and wooden dowel may remain.		
18	Spine	2			

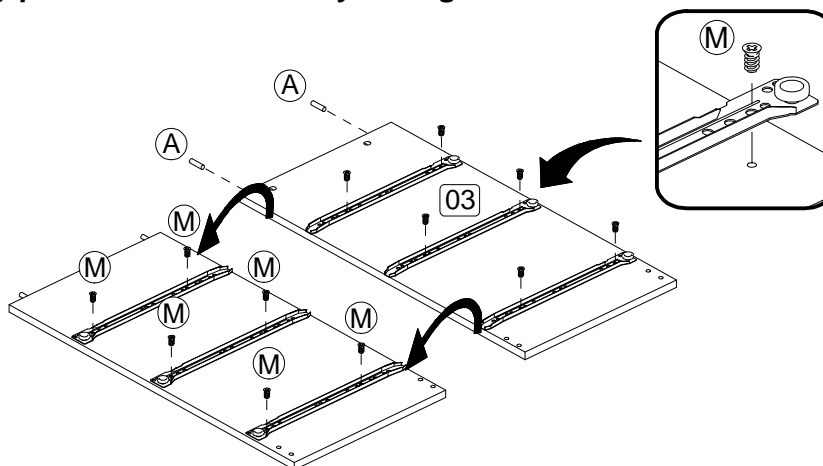
Step 1: Insert hardware part H into the top panel (1) using a screwdriver (not provided).
DO NOT use any power tools as this may damage the frame and will invalidate any claim.



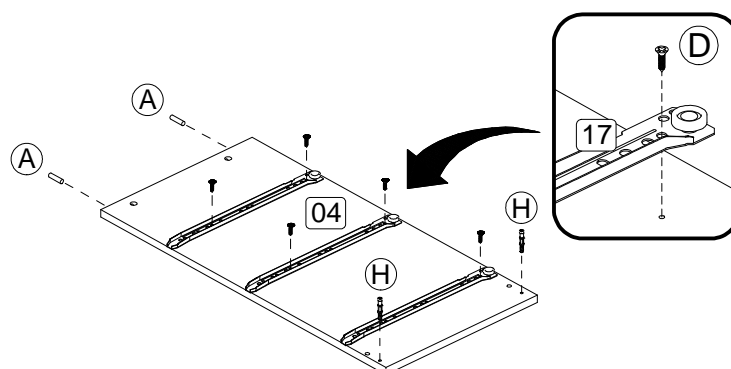
Step 2: Attach three drawer runners (17) to the left panel (2) using hardware part D and a screwdriver (not provided). Insert hardware parts A and H using a small mallet and a screwdriver (not provided).
DO NOT use any power tools as this may damage the frame and will invalidate any claim.



Step 3: Attach three drawer runners (17) to each side of the centre panel (3) using hardware parts M and a screwdriver (not provided). Insert hardware part A using a small mallet (not provided).
DO NOT use any power tools as this may damage the frame and will invalidate any claim.

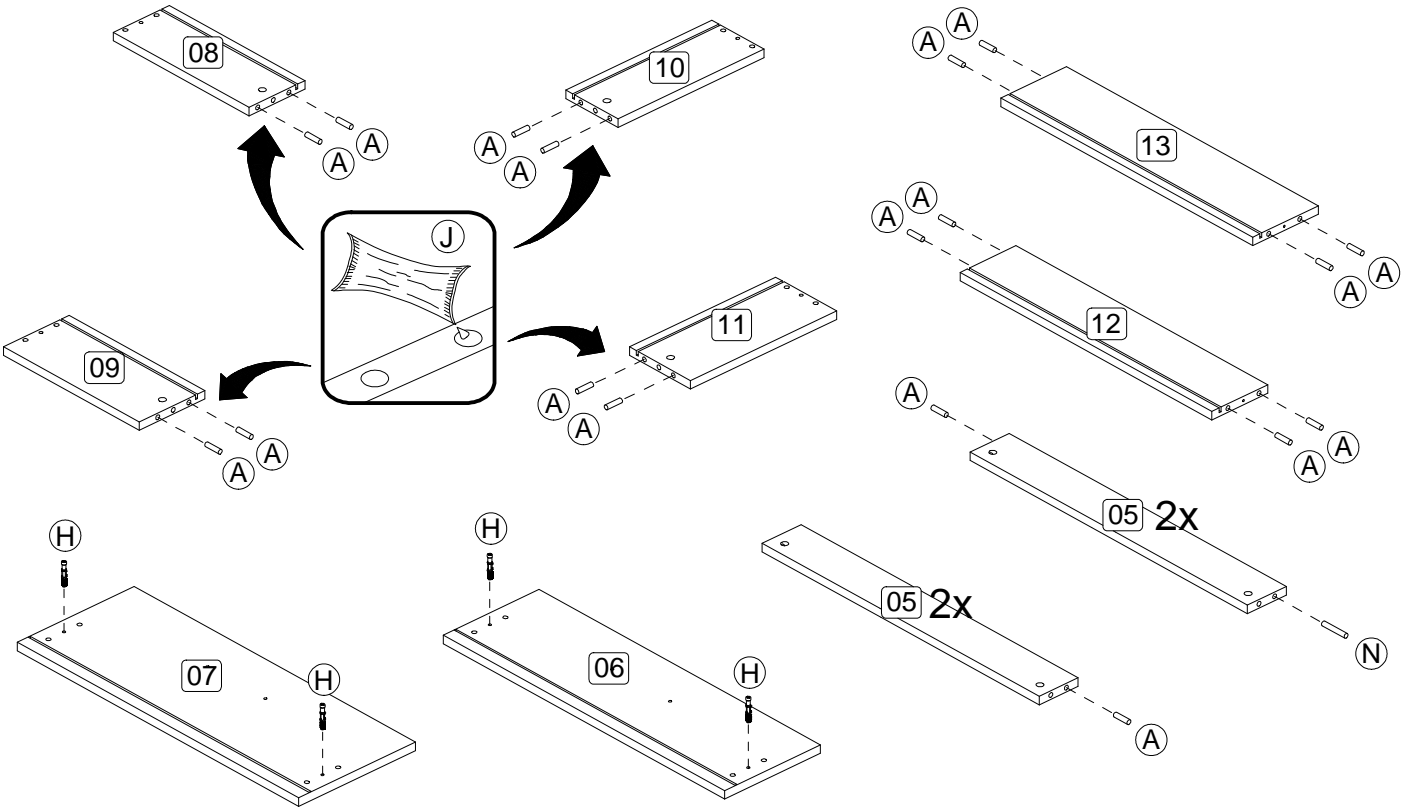


Step 4: Attach three drawer runners (17) to the right panel (4) using hardware parts D and a screwdriver (not provided). Insert hardware parts A and H using a small mallet and screwdriver (not provided).
DO NOT use any power tools as this may damage the frame and will invalidate any claim.



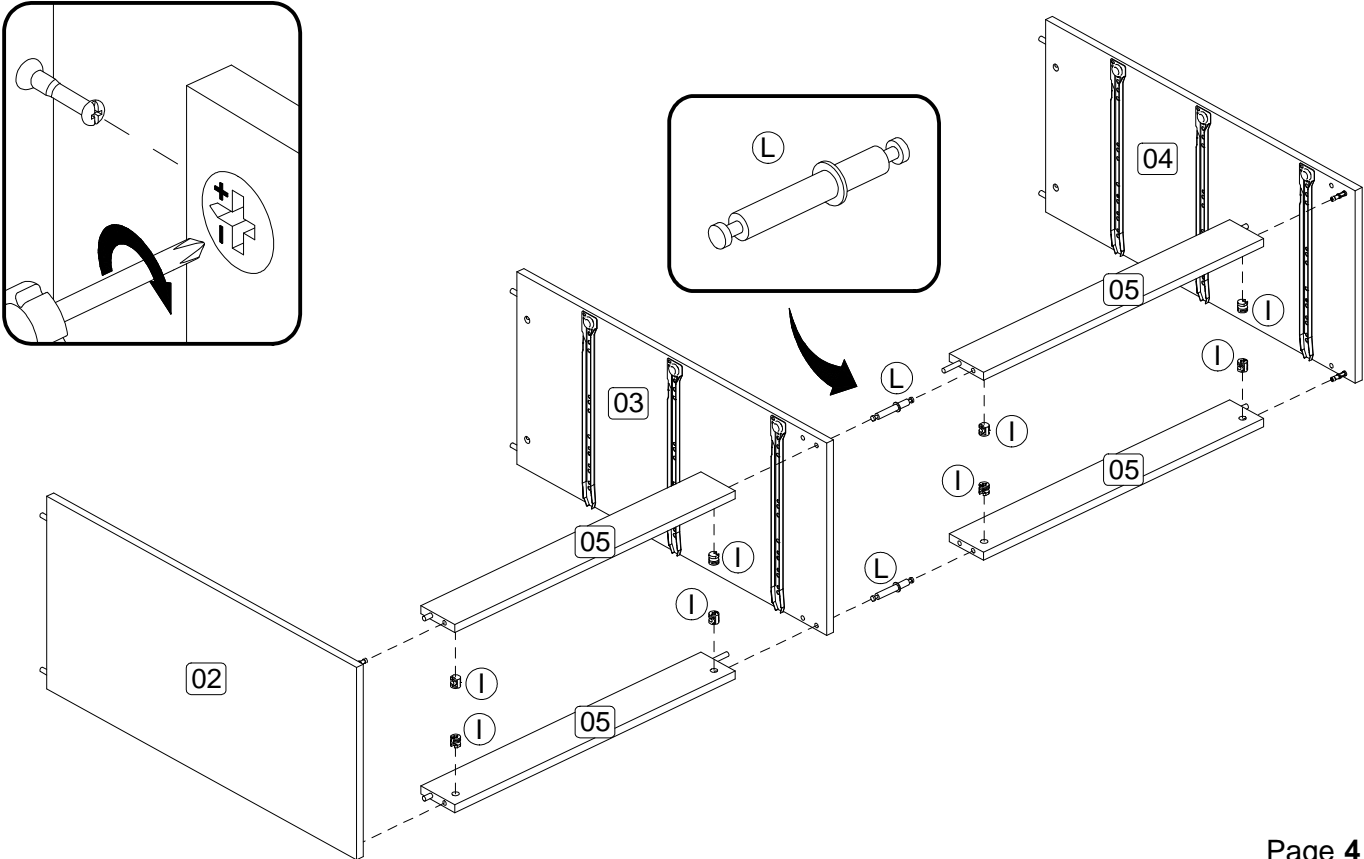
Step 5: Insert hardware parts A, H and N using hardware part J, a small mallet and a screwdriver (not provided).

DO NOT use any power tools as this may damage the frame and will invalidate any claim.



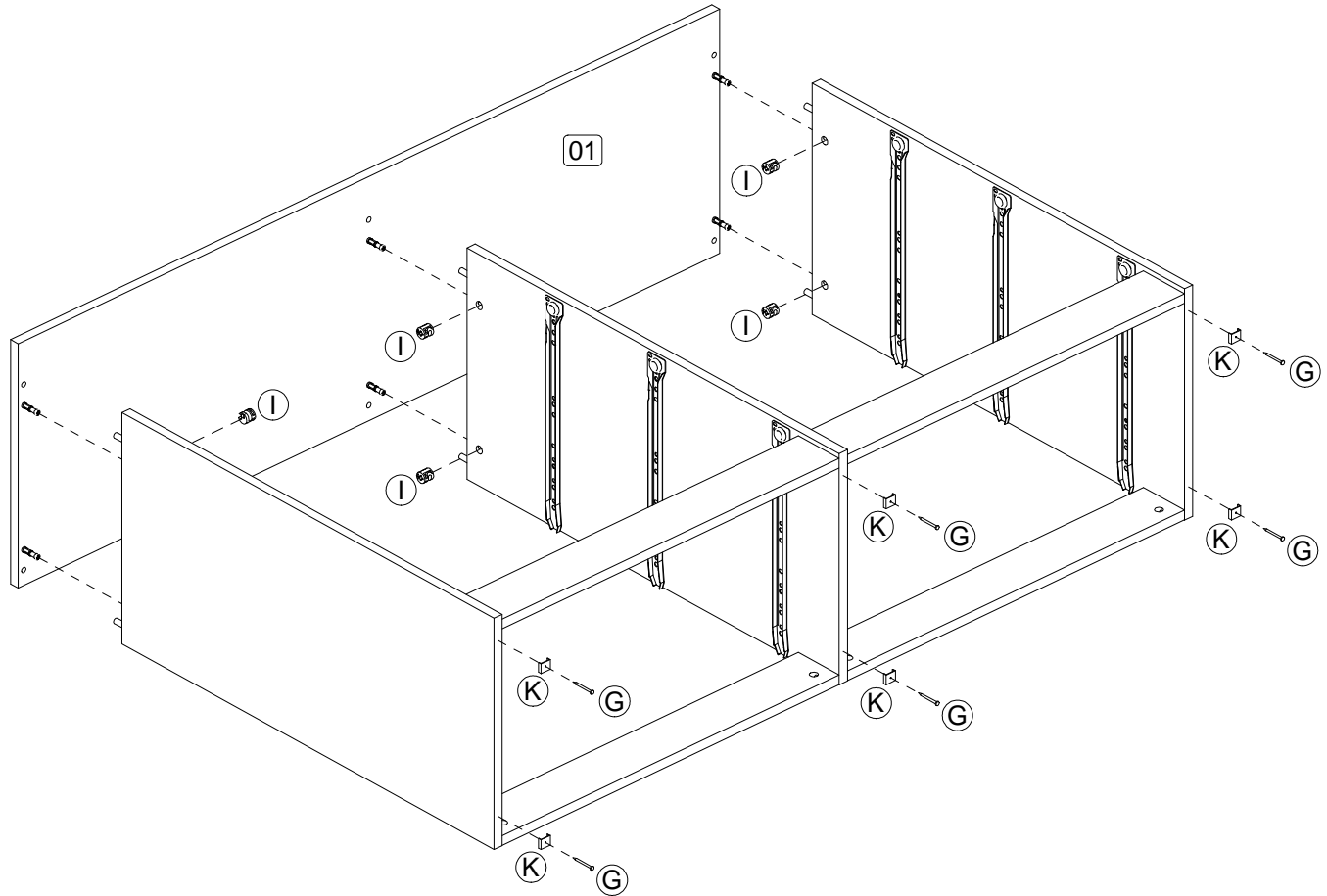
Step 6: Attach the plinths (5) to the left panel (2), centre panel (3) and right panel (4) using hardware parts I and L with a screwdriver (not provided).

DO NOT use any power tools as this may damage the frame and will invalidate any claim.



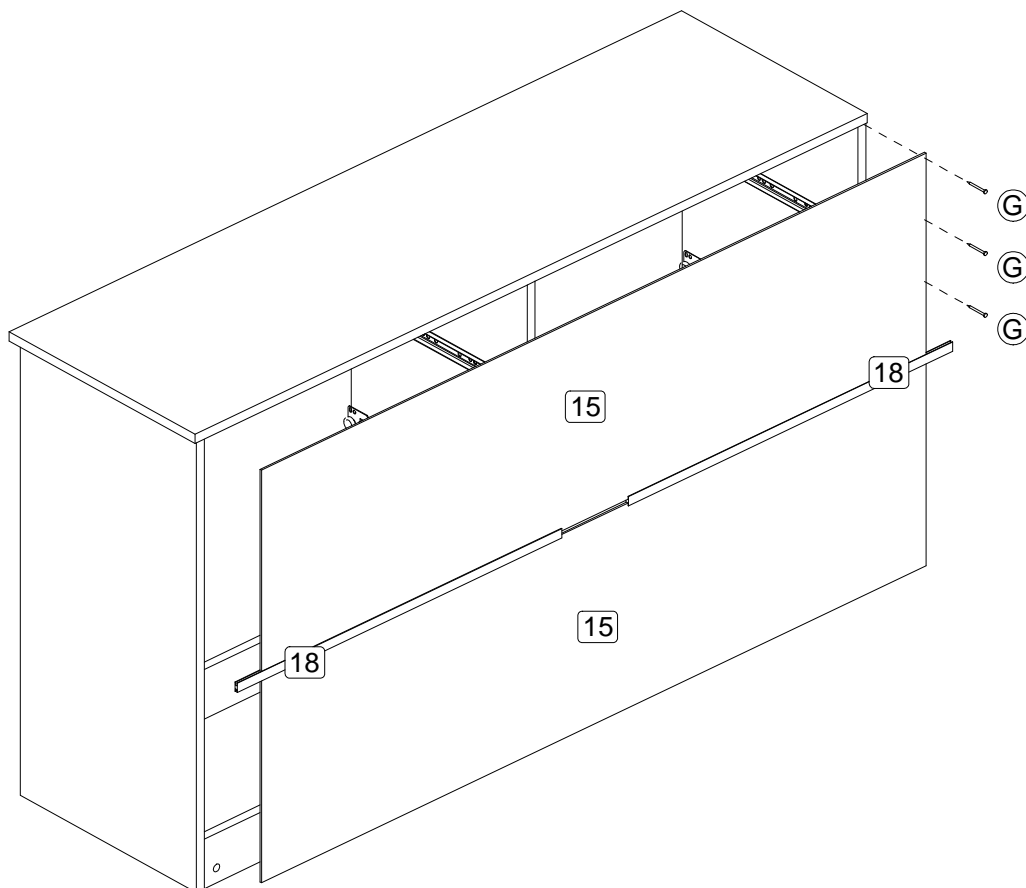
Step 7: Attach the top panel (1) using hardware part L. Attach hardware part K to the base using hardware part G. You will need to use a screwdriver (not provided).

DO NOT use any power tools as this may damage the frame and will invalidate any claim.



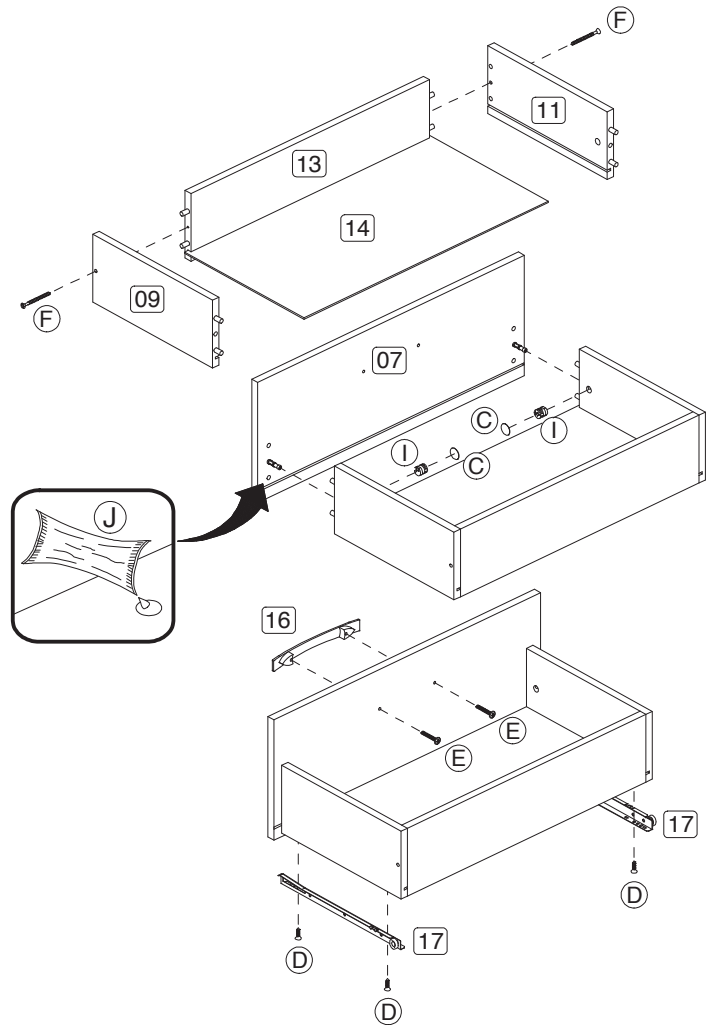
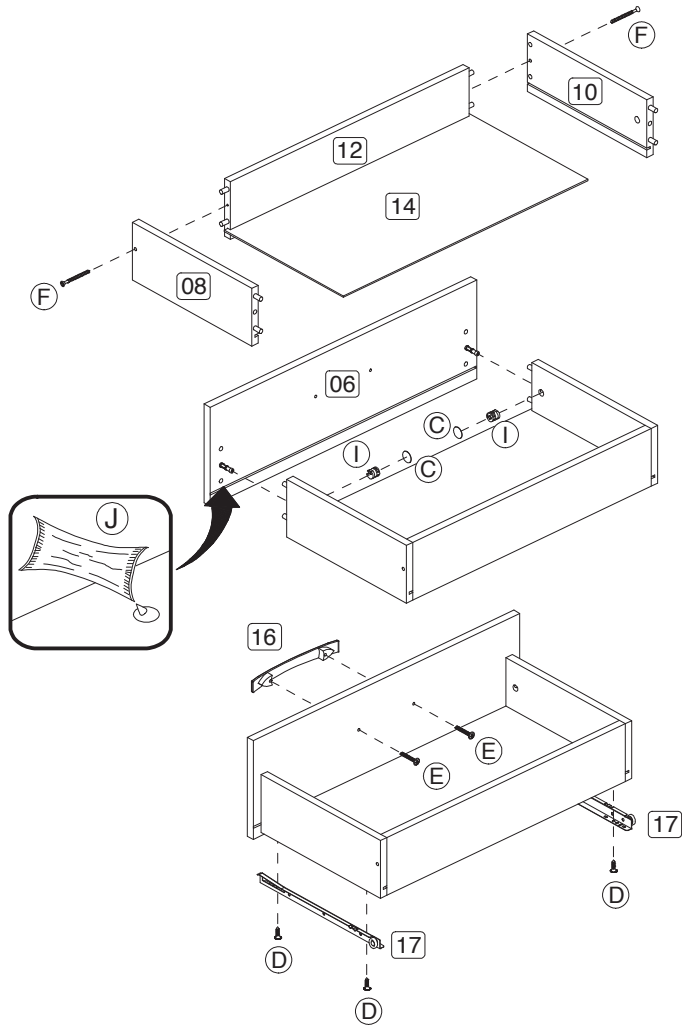
Step 8: Connect the back panels (15) using the spine (18) and secure using hardware part G and a small mallet (not provided).

DO NOT use any power tools as this may damage the frame and will invalidate any claim.



Step 9: Assemble the drawer components using hardware parts C, D, E, F, I and J with a screwdriver (not provided).

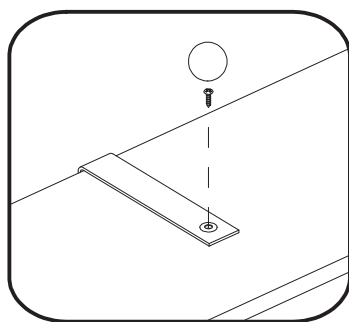
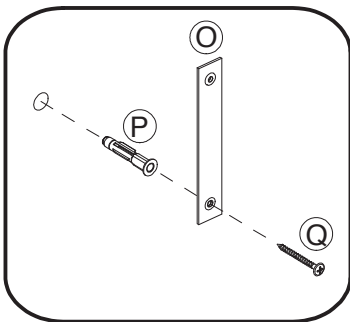
DO NOT use any power tools as this may damage the frame and will invalidate any claim.



Step 10: To secure the item to the wall use hardware parts O, P and Q using a screwdriver (not provided). Then attach hardware part D to the item with a screwdriver (not provided).

DO NOT use any power tools as this may damage the frame and will invalidate any claim.

Birlea Furniture advise you use the wall straps provided to further enhance the safety of this product



Please dispose of all packaging safely.

General Care & Maintenance

Wipe clean with a slightly damp cloth.
Avoid the use of all household cleaners and abrasives.

Periodically check all screw & fixings to ensure they are secure.
When moving your product, carefully lift into place. Never drag or push the pieces across the floor as this will cause damage to the joints and could result in failure to the product that will invalidate the warranty.

For more information on cleaning and product care visit:
<https://www.happybeds.co.uk/help-and-advice>

Notes

We've tried to make this product as easy to assemble as possible. In the unlikely event that you have problems putting it together or have damaged or missing pieces, please contact us by visiting:

<https://www.happybeds.co.uk/customer-service>



www.happybeds.co.uk

