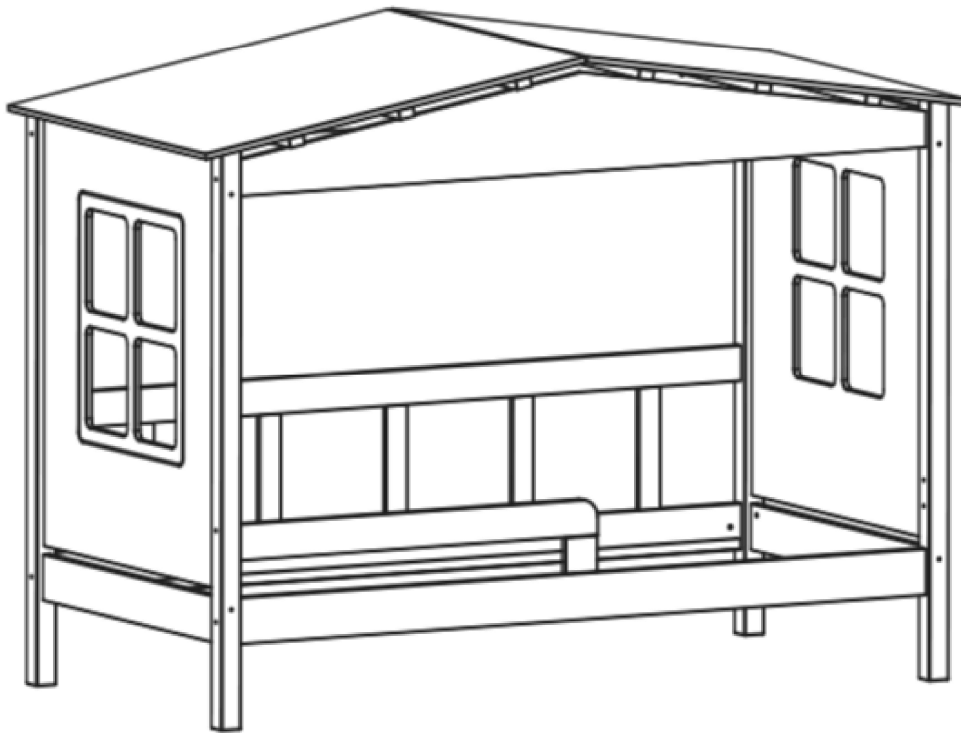




## Assembly Instructions

# Mento Treehouse Bed



### **Important before assembly:**

Read these instructions carefully before assembling or using the product.

Please check the contents of the boxes before attempting to assemble this product. The instructions will have a checklist of parts and fittings.

It would be sensible to lay a rug or a carpet on the floor where you intend to assemble the product, to void scratches and damaging the product or the floor.

Assemble the product as close to its intended final location/room as possible.

Do NOT use any power tools as this may damage the frame.

### **Health & Safety:**

This product or some parts of this product will be heavy. Please use an assistant when lifting.

DO NOT jump on the product or any of its parts.

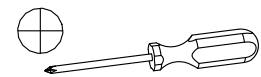
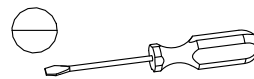
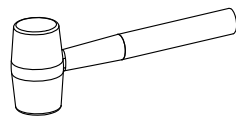
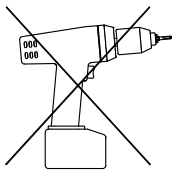
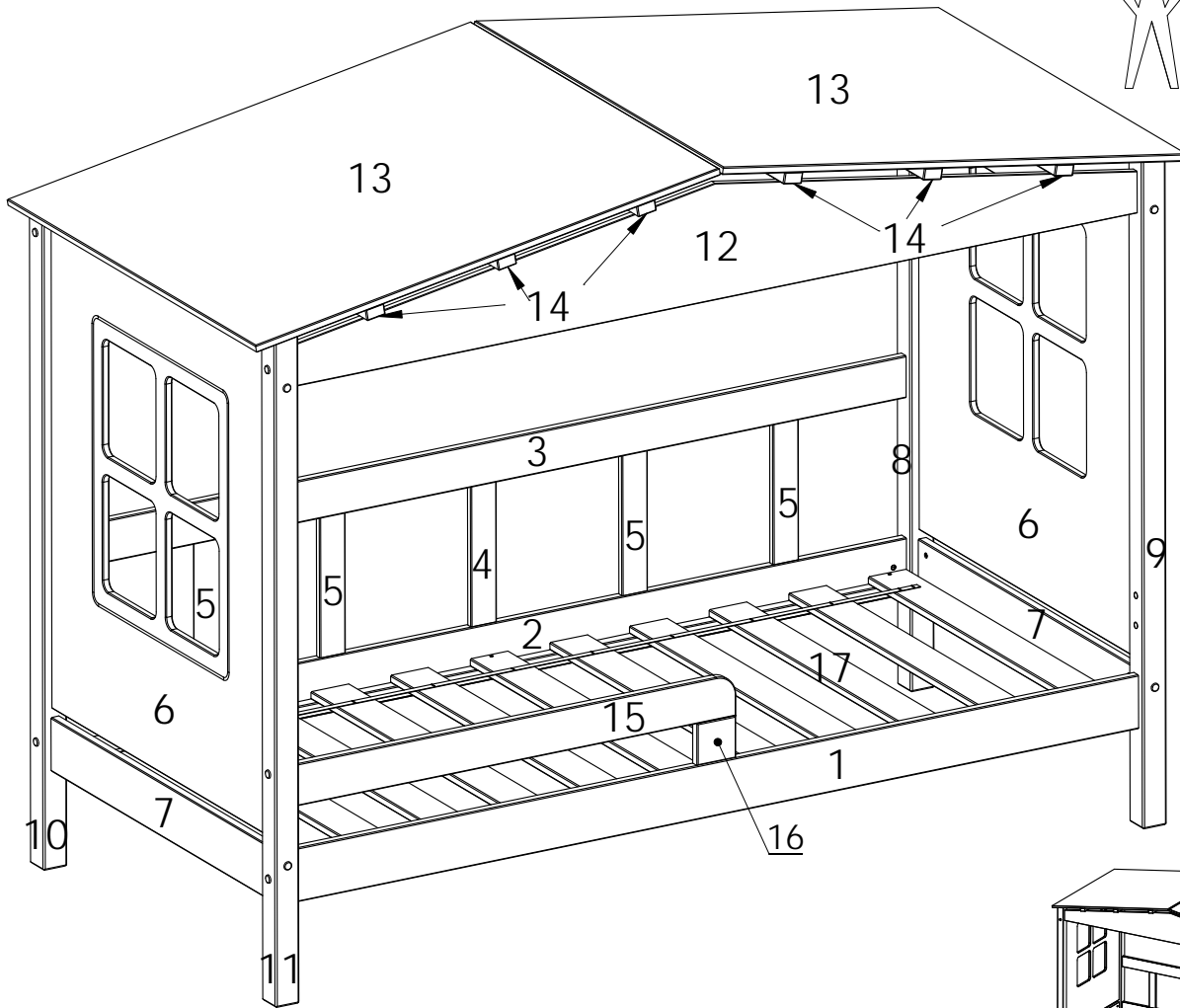
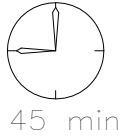
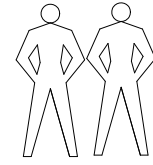
DO NOT use this product if any parts are missing, damaged or worn.

DO NOT use this product unless all fixings are secured.

Please keep small parts out of reach of children.

Always use on a level, even surface.

Please keep these instructions for future reference.

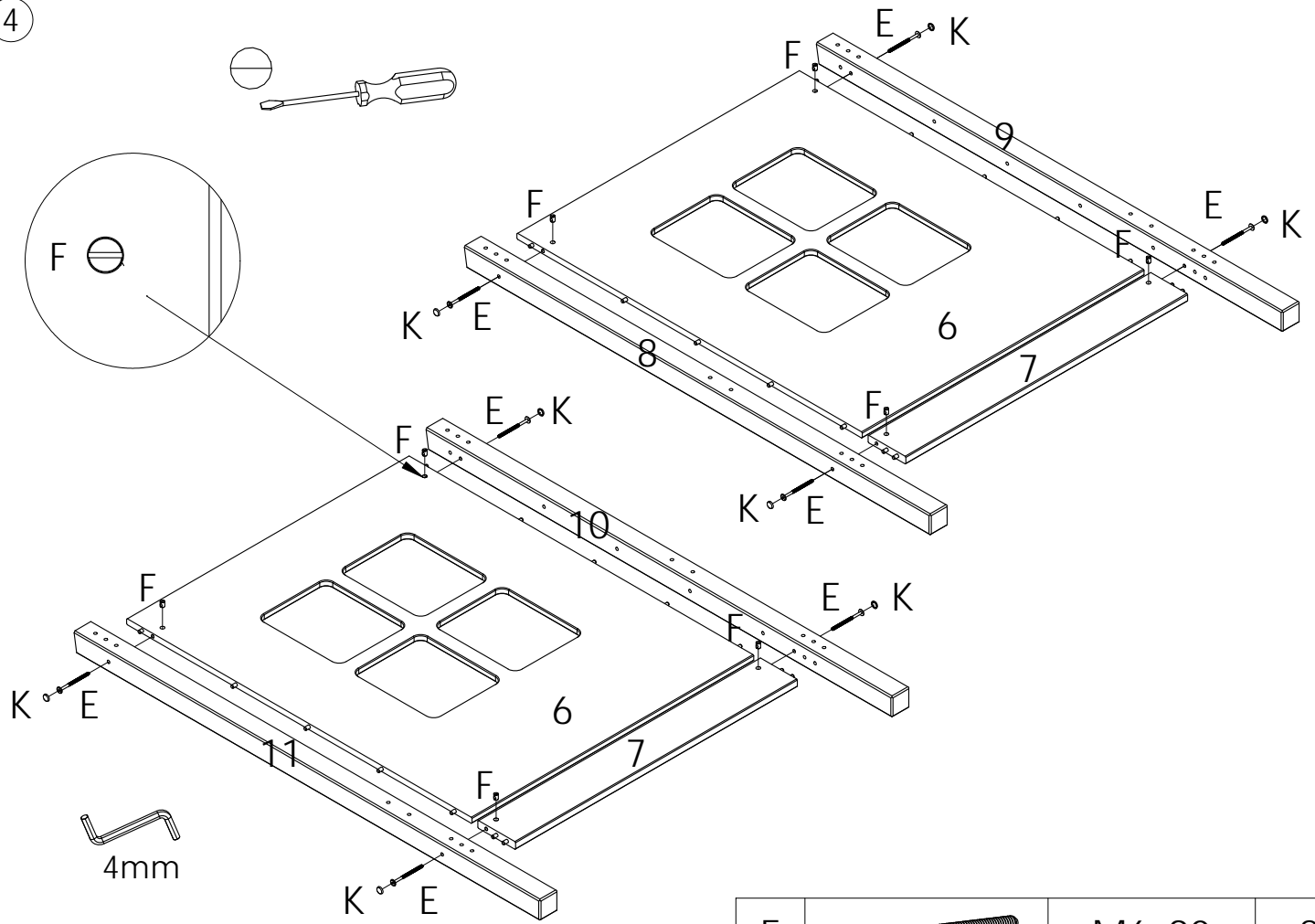




A		8x40	x71
B		8x30	x12
C		6,1x24x35	x2
D		D12x10	x2
E		M6x90	x16
F		M6x10x13	x16
G		7x34	x8
H		D15x12	x8
J		3,5x40	x6

K		D15x18	17
L		GLUE	x1
M		4mm	x1
N		7x60	2
Q		D35	2
P		D35	1
R		6.3x90	1
S		D8x13	8
T		D5x8	1



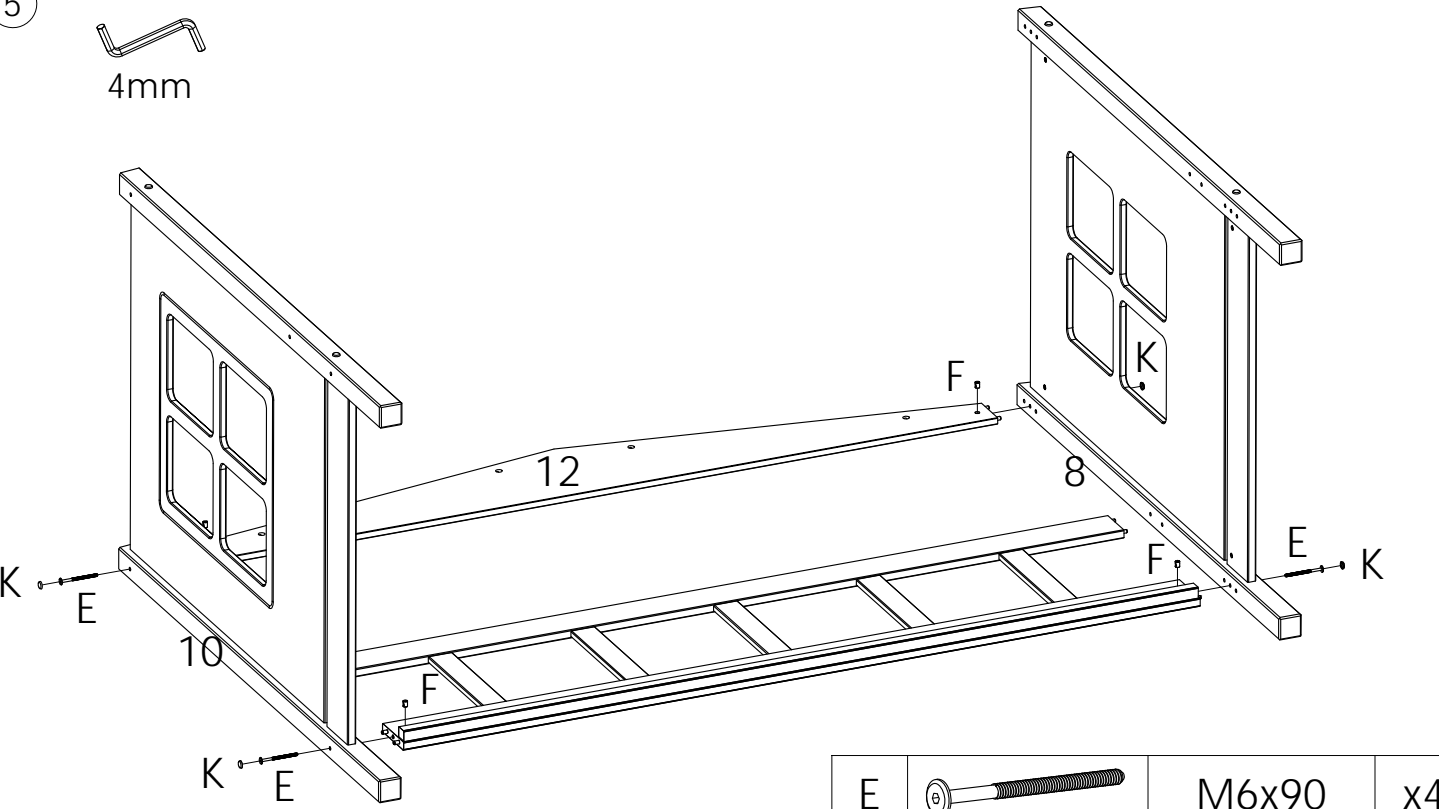
4





E		M6x90	x8
F		M6x10x13	x8

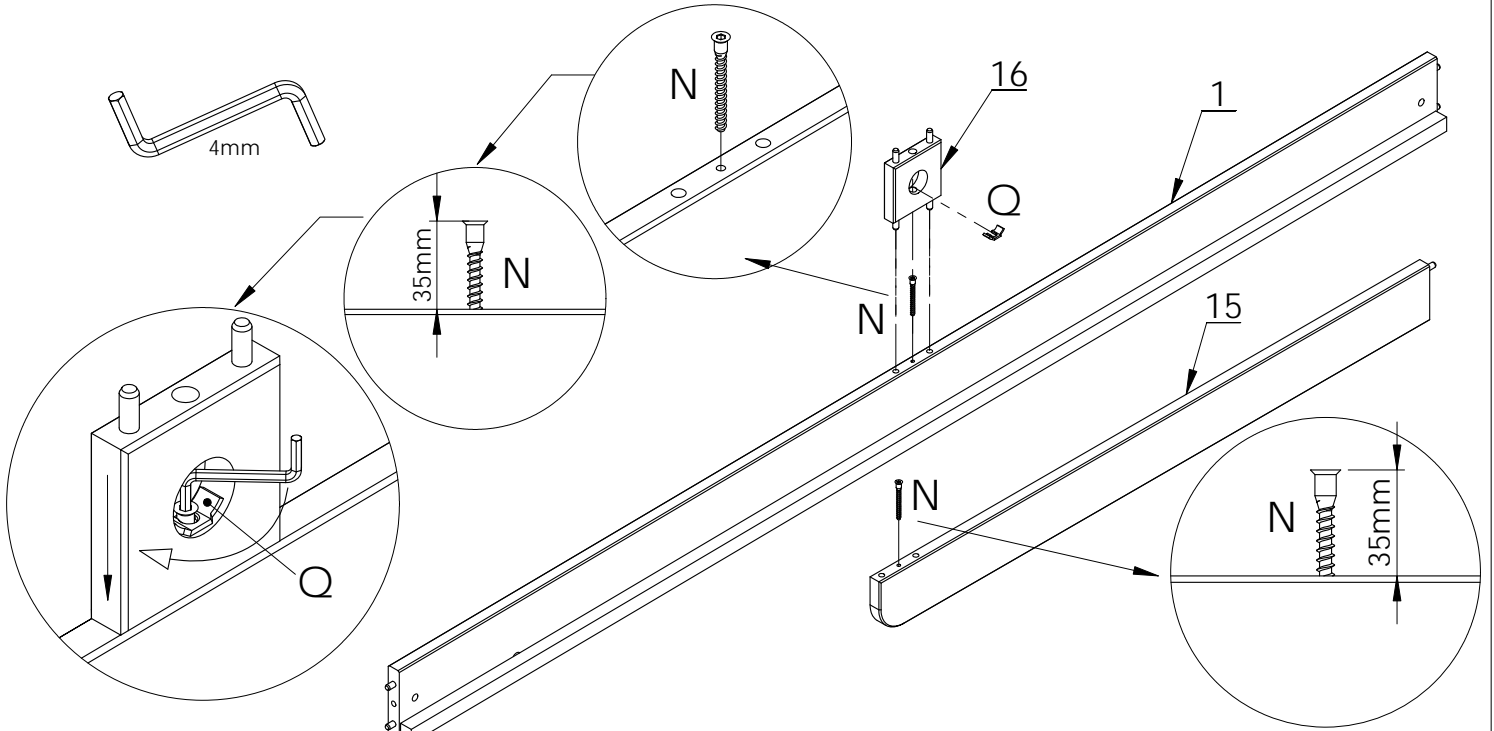
K		D15x18	x8
---	---	--------	----

5

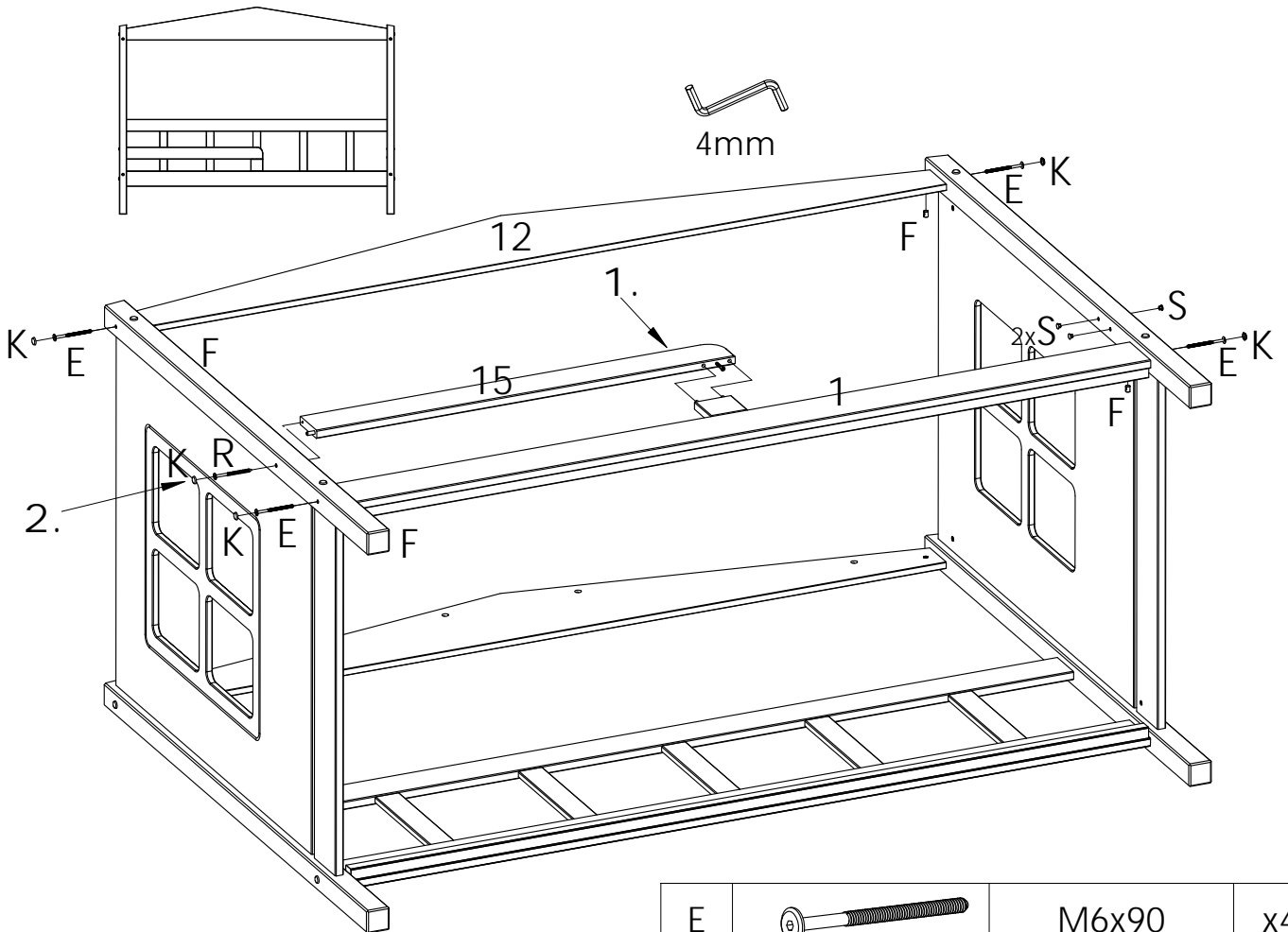


E		M6x90	x4
F		M6x10x13	x4

K		D15x18	x4
---	---	--------	----



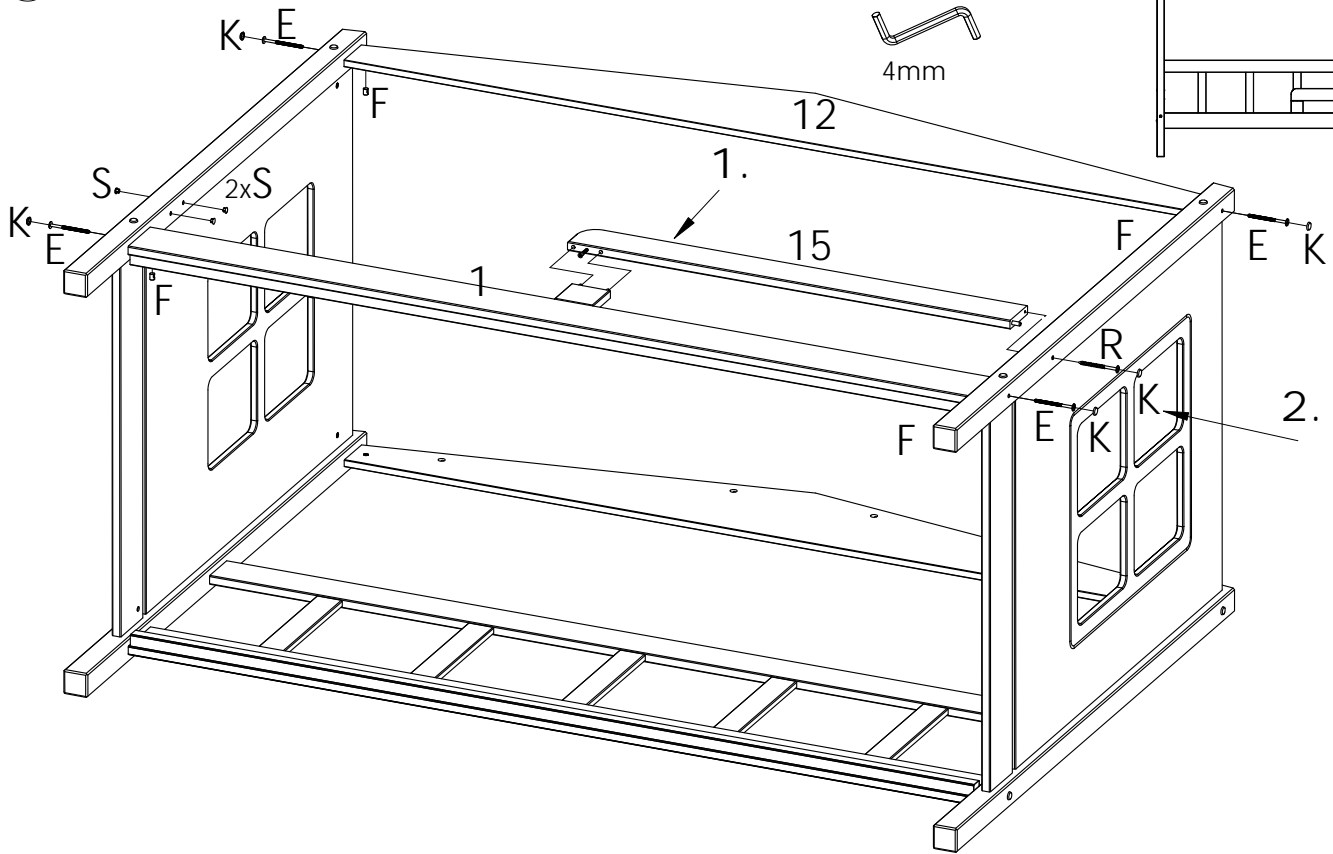
N		7x60	2
Q		D35	1

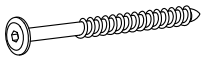





K		D15x18	x5
R		6.3x90	x1

E		M6x90	x4
F		M6x10x13	x4
S		D8x13	x3

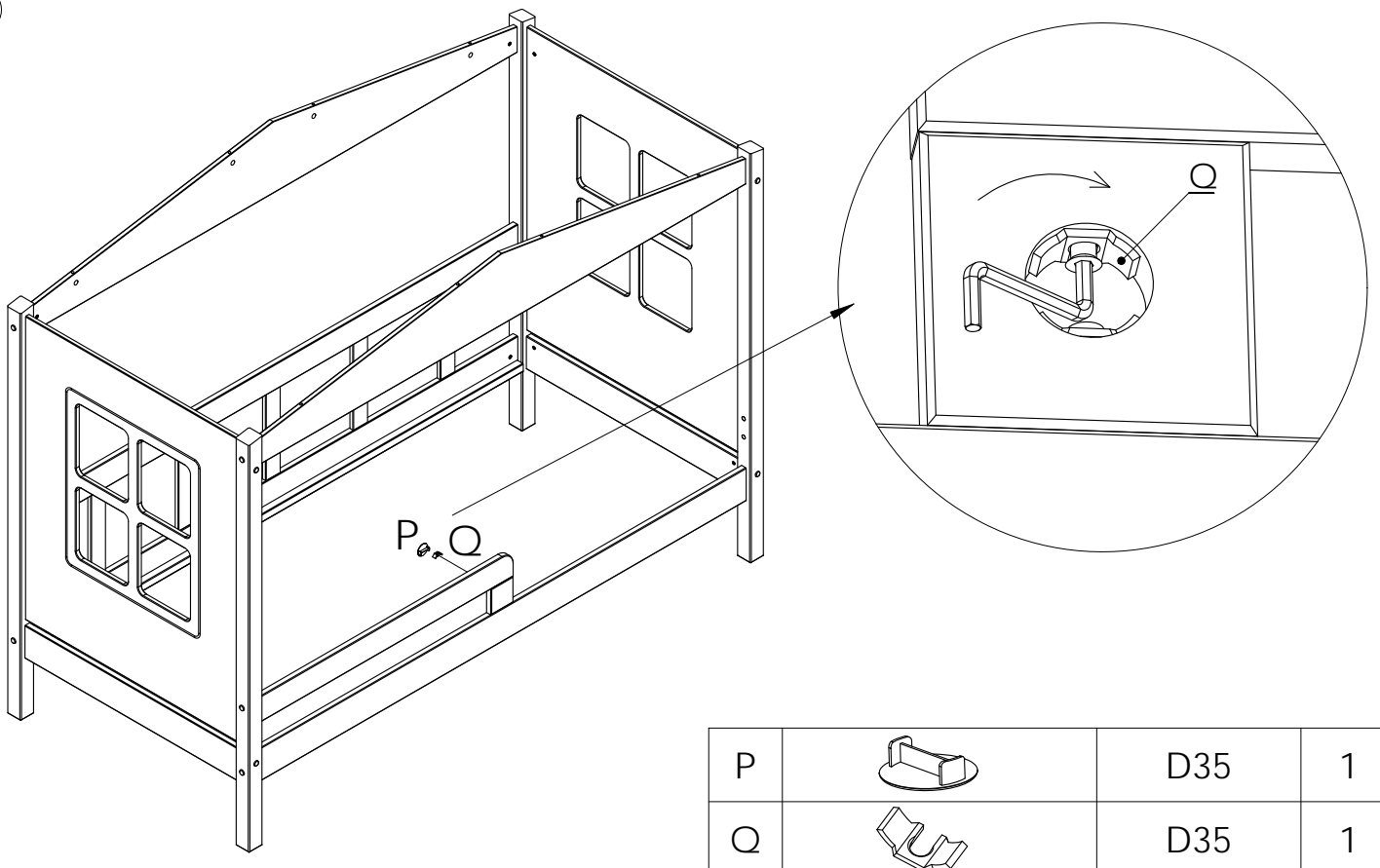
7b

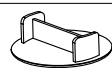



R		6.3x90	x1
K		D15x18	x5

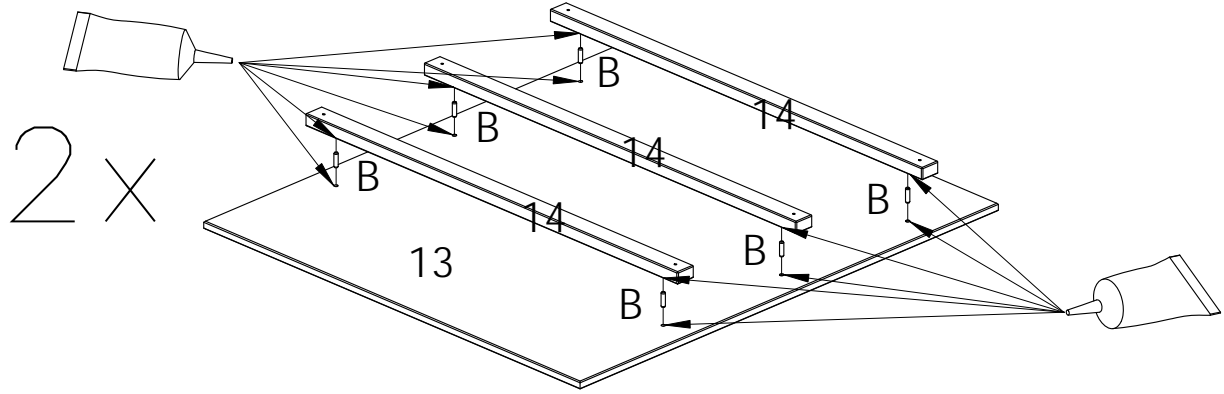
E		M6x90	x4
F		M6x10x13	x4
S		D8x13	x3

8

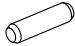


P		D35	1
Q		D35	1

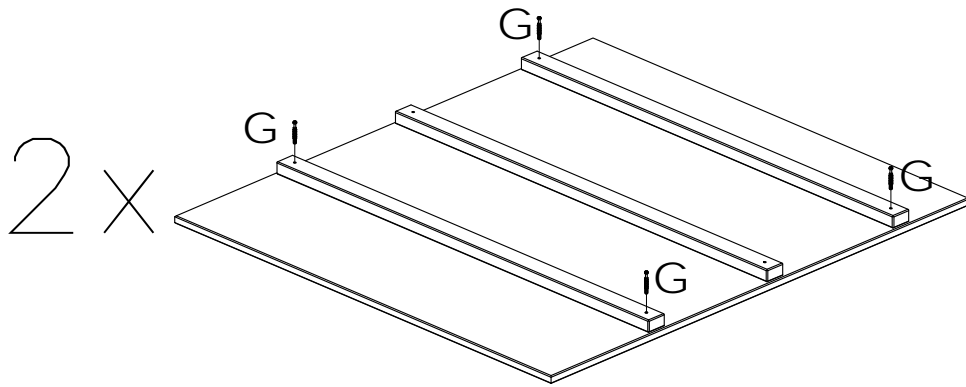
9




2x

B		8x30	x12
---	---	------	-----

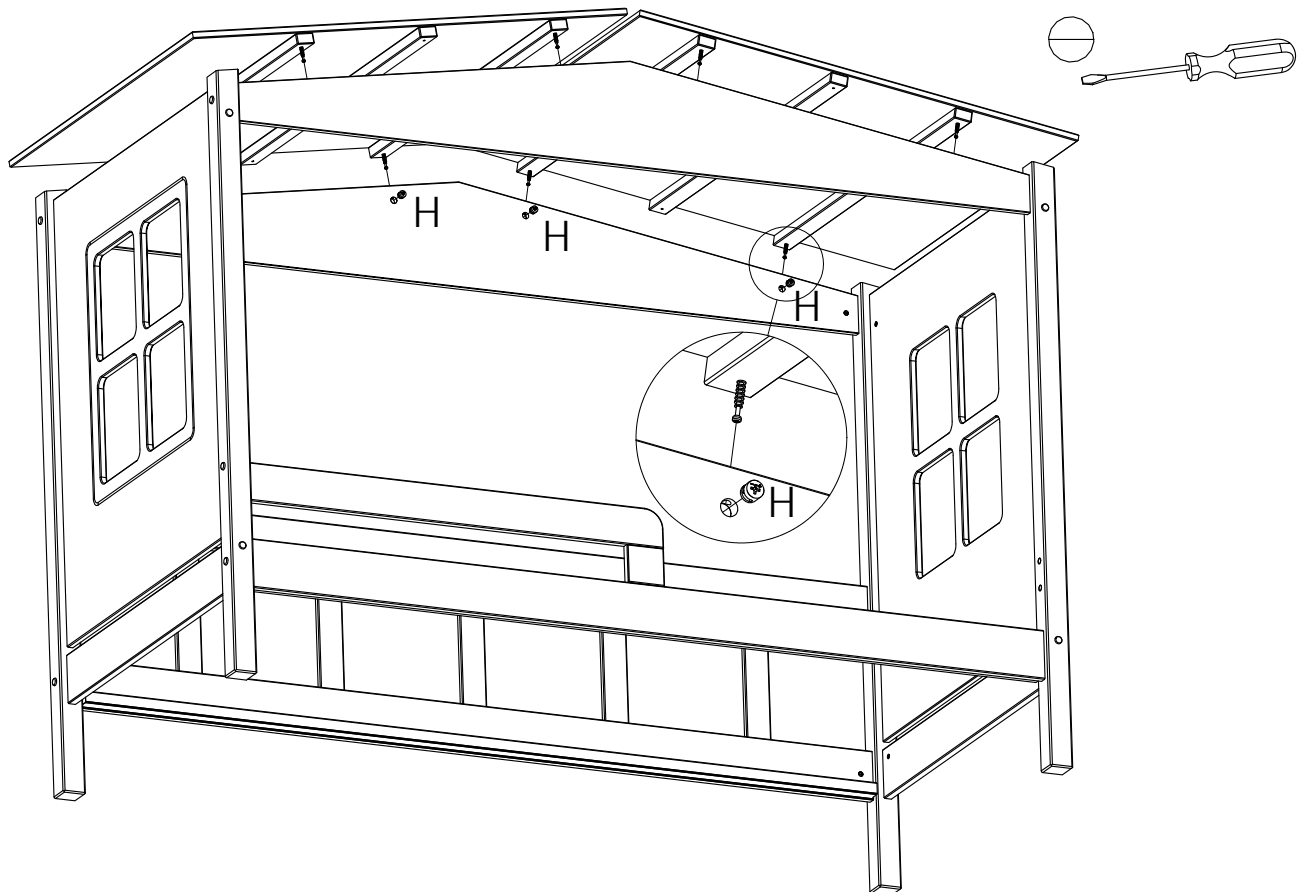
10




2x

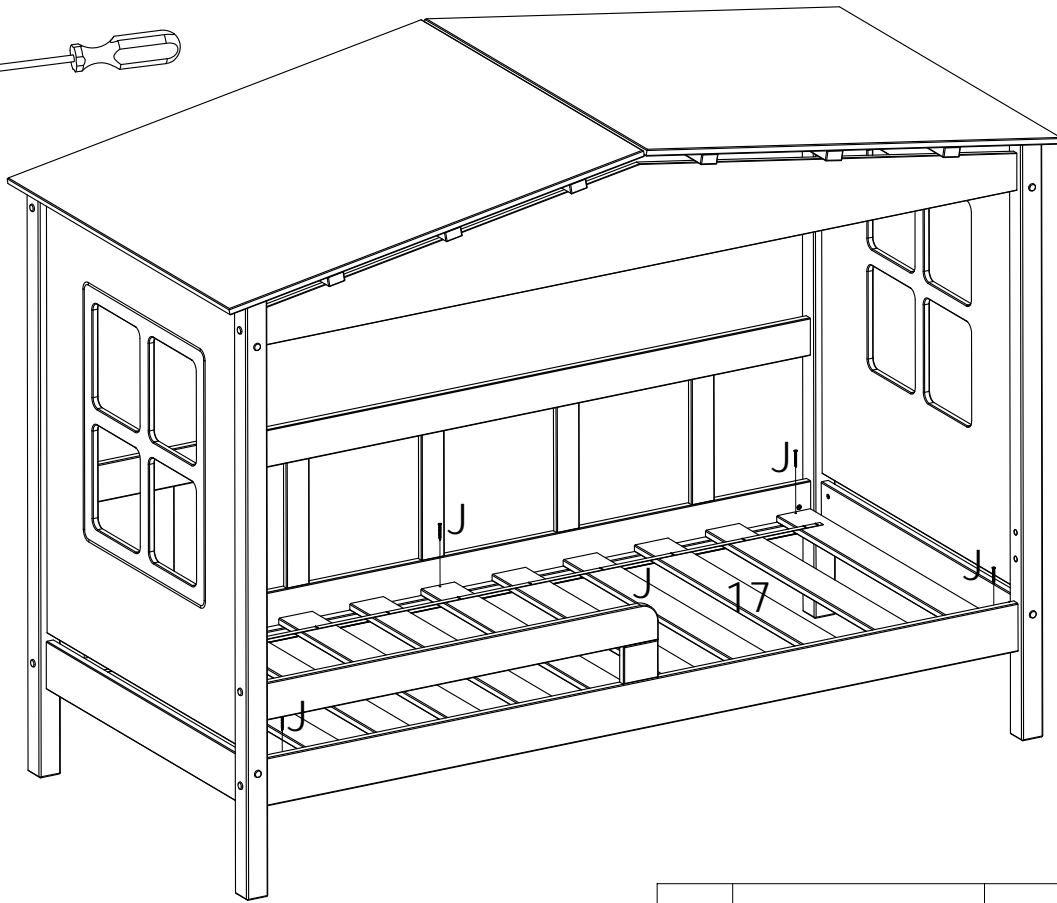
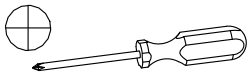
G		D15x12	x8
---	---	--------	----

11



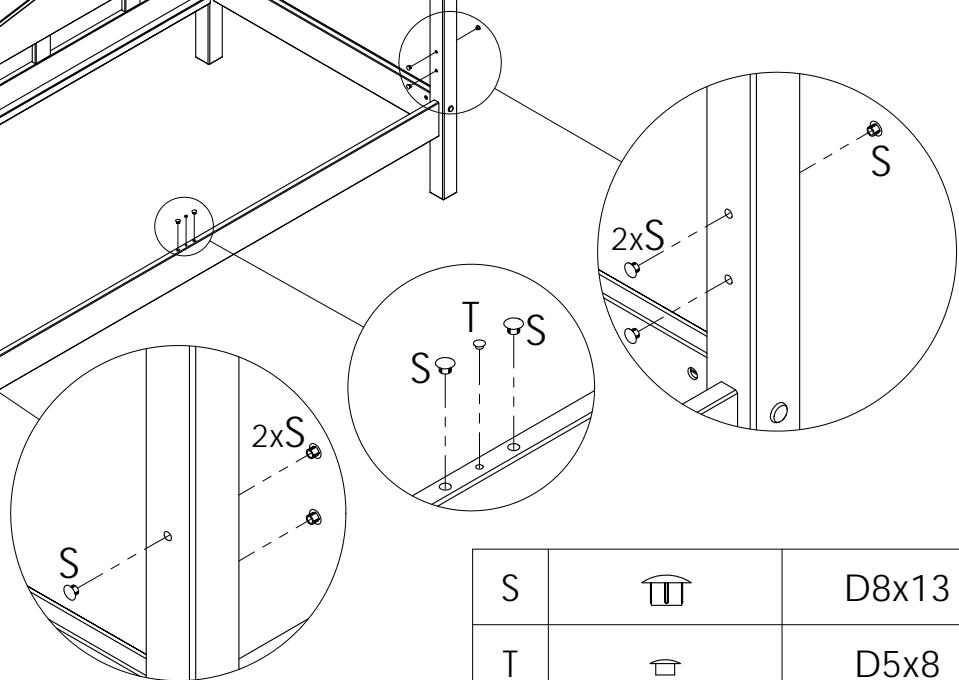
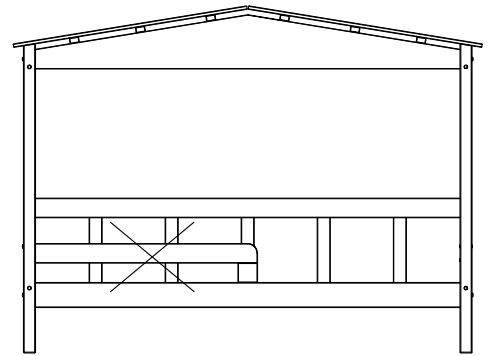
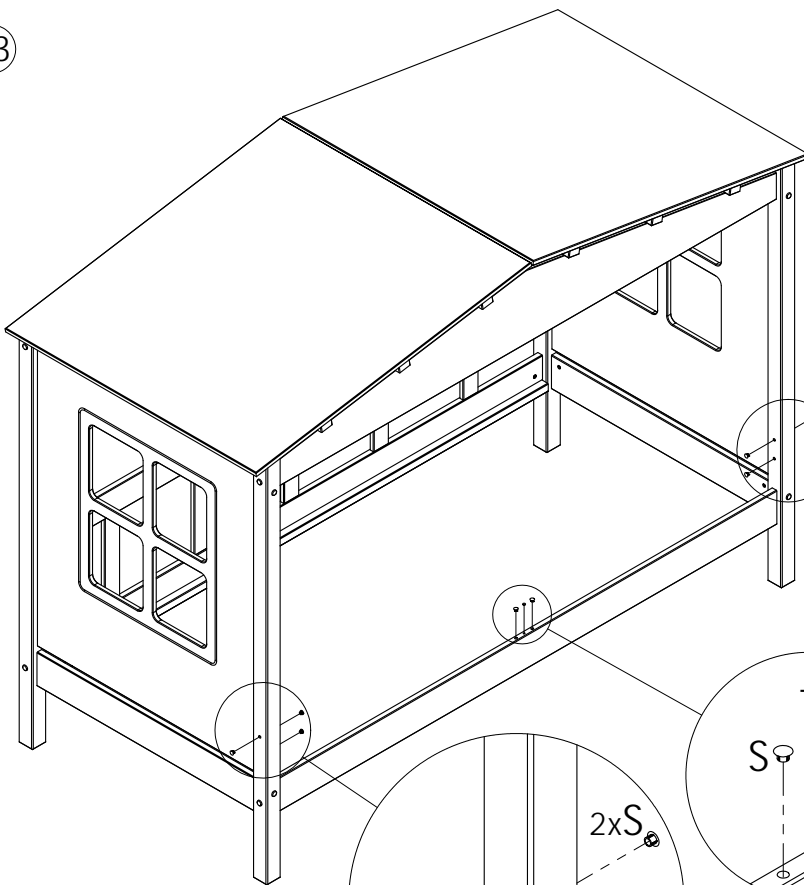
H		D15x12	x8
---	---	--------	----

12



J		3,5x40	x6
---	--	--------	----

13



S		D8x13	8
T		D5x8	1



Please dispose of all packaging safely.

## General Care & Maintenance

Wipe clean with a slightly damp cloth.  
Avoid the use of all household cleaners and abrasives.

Periodically check all screw & fixings to ensure they are secure.  
When moving your product, carefully lift into place. Never drag or push the pieces across the floor as this will cause damage to the joints and could result in failure to the product that will invalidate the warranty.

For more information on cleaning and product care visit:  
<https://www.happybeds.co.uk/help-and-advice>

## Notes

We've tried to make this product as easy to assemble as possible. In the unlikely event that you have problems putting it together or have damaged or missing pieces, please contact us by visiting:

<https://www.happybeds.co.uk/customer-service>



[www.happybeds.co.uk](http://www.happybeds.co.uk)

