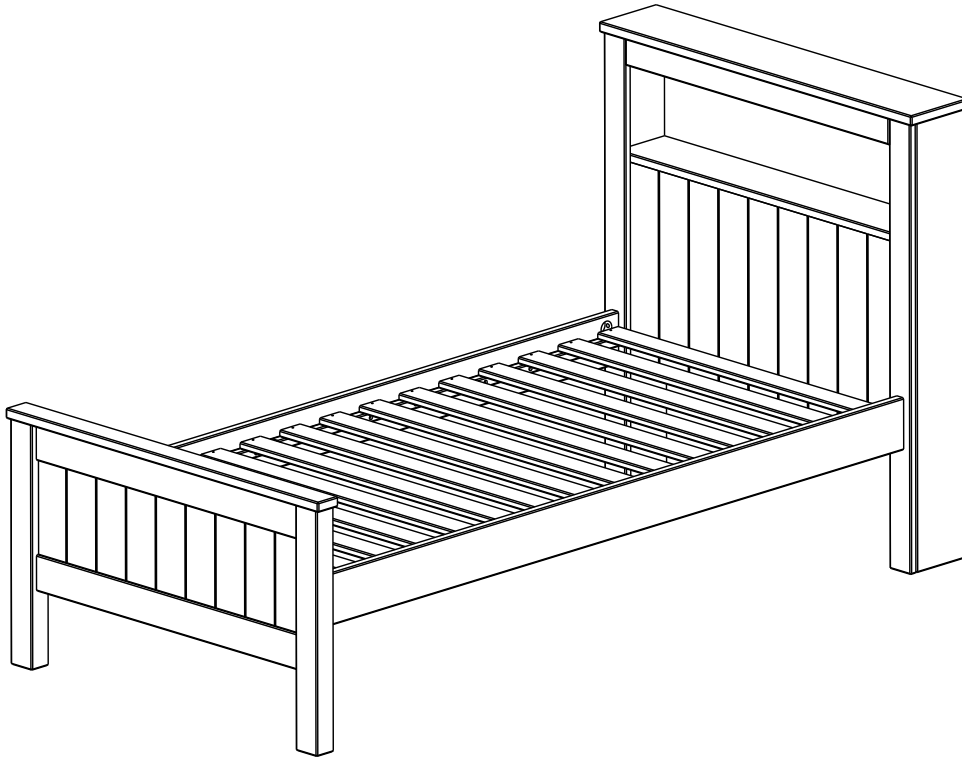




## Assembly Instructions

# Maine Bookcase Bed



### Important before assembly:

Read these instructions carefully before assembling or using the product.

Please check the contents of the boxes before attempting to assemble this product. The instructions will have a checklist of parts and fittings.

It would be sensible to lay a rug or a carpet on the floor where you intend to assemble the product, to void scratches and damaging the product or the floor.

Assemble the product as close to its intended final location/room as possible.

Do NOT use any power tools as this may damage the frame.

### Health & Safety:

This product or some parts of this product will be heavy. Please use an assistant when lifting.

DO NOT jump on the product or any of its parts.

DO NOT use this product if any parts are missing, damaged or worn.

DO NOT use this product unless all fixings are secured.

Please keep small parts out of reach of children.

Always use on a level, even surface.

Please keep these instructions for future reference.



## **Important for High Sleepers, Bunk Beds and Children's Beds**

### **Warning:**

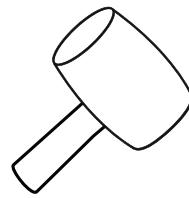
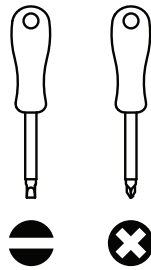
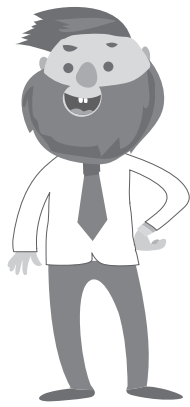
High sleepers and the upper tier of bunk beds are not suitable for children under 6 years of age due to risk of injury from falls.

High Sleepers and Bunk Beds present a risk of injury from strangulation if used incorrectly. Never attach or hang anything on any part of the bed that is not designed to be used with the bed, for example, but not limited to ropes, strings, cords, hooks, belts and bags.

Children can become trapped between the bed and the wall, a roof pitch, the ceiling and other pieces of furniture (e.g. wardrobes). To avoid risk of serious injury, the distance between the top safety barrier and any adjoining structure shall not exceed 75mm or shall be more than 230mm.

Maximum thickness of a mattress on the top tier is 18cm. Please refer to the label or marking on the headboard.

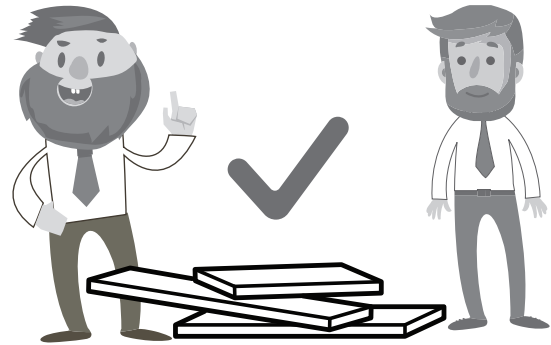
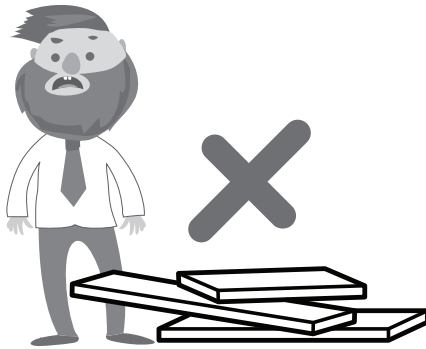
This bed has been tested by an independent laboratory and is in compliance with BS EN 747-1 : 2012+A1:2015 - Standard Consumer Safety specification for bunk beds & high sleepers.



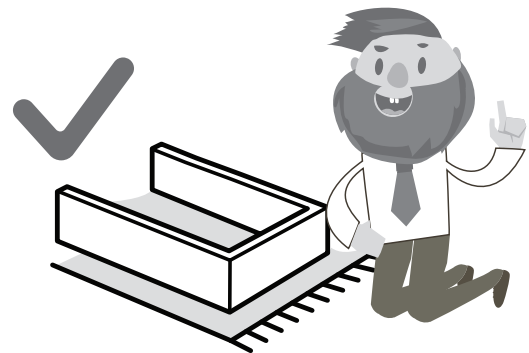
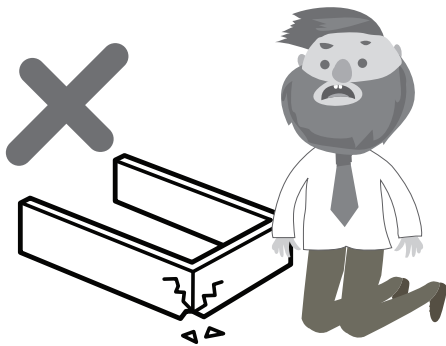
(Not metal)

These tools are not necessary, but may help to assemble certain parts of the product.

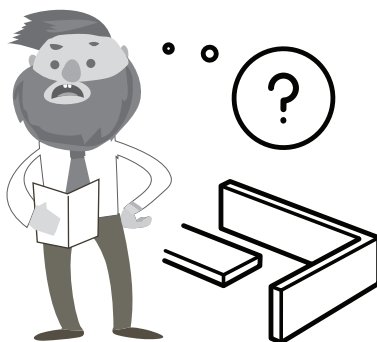
Do NOT use any power tools as this may damage the frame.



This product or some parts of this product will be heavy. Please use an assistant when lifting.



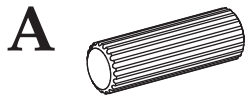
Never drag or push the pieces across a hard or stone floor as this will cause damage to the joints. Use a carpet or a rug for extra care.



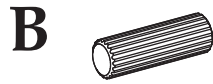
If you have problems assembling or have damaged or missing pieces, please contact us by visiting:

<https://www.happybeds.co.uk/customer-service>

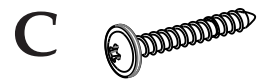
# HARDWARE



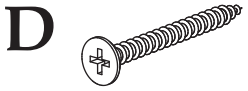
Wooden dowel x 04  
10 x 40mm



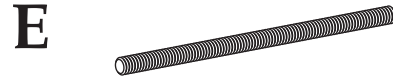
Wooden dowel x 28  
8 x 35mm



4.5 x 50mm Screw x 3



4 x 35mm Screw x 30



Headless bolt 1/4 x 75mm x 4



1/4 x 80mm Bolt x 4  
Cab. 17



Half moon nut 1/4 x 4



Nut 1/4 x 4



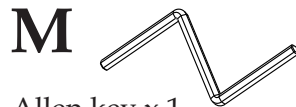
Pin 8x8 x28



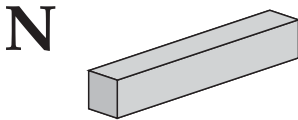
Washer x 4



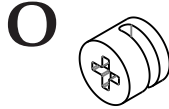
Spanner x1



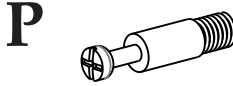
Allen key x 1



61mm Spacer x 1

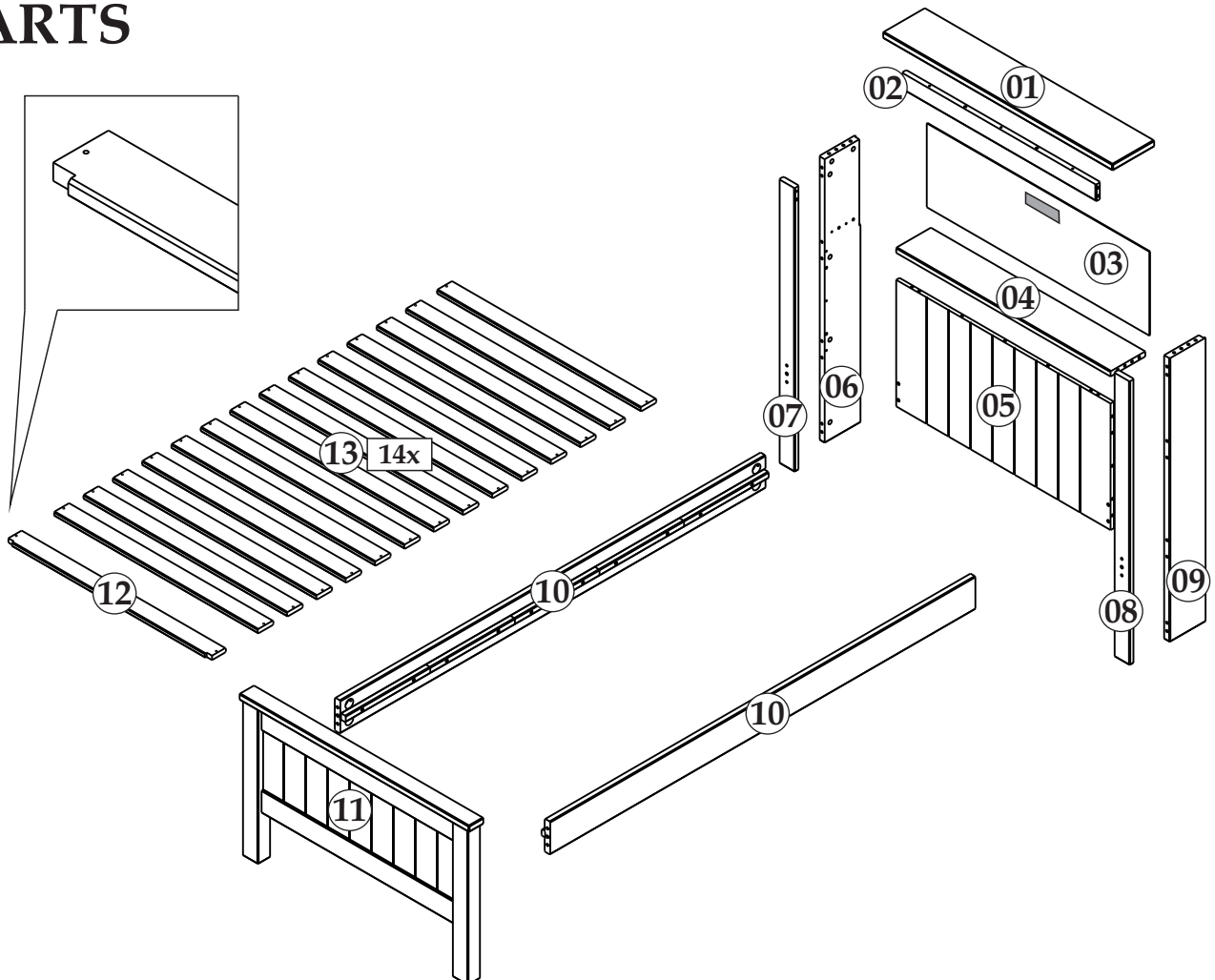


Nut x 27



Stem x 27

# PARTS



## Safety Advice

Please take the time to carefully read through the whole of these instructions before you commence.

Keep these instructions for future reference.

Unpack, inspect and check off all of the contents.

Please dispose of all packaging safely.

Small component parts could choke a child if swallowed.

We strongly recommend that you keep children well away from the work area.

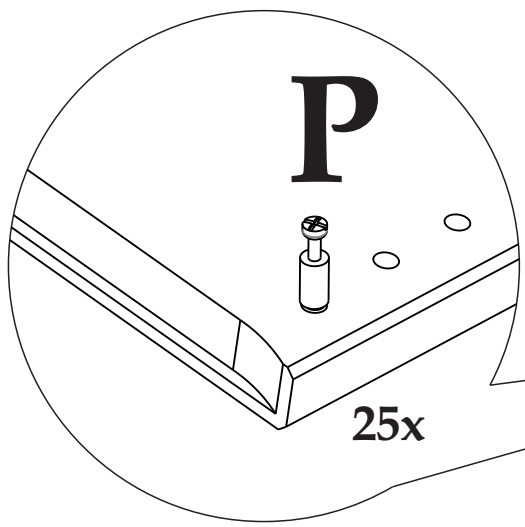
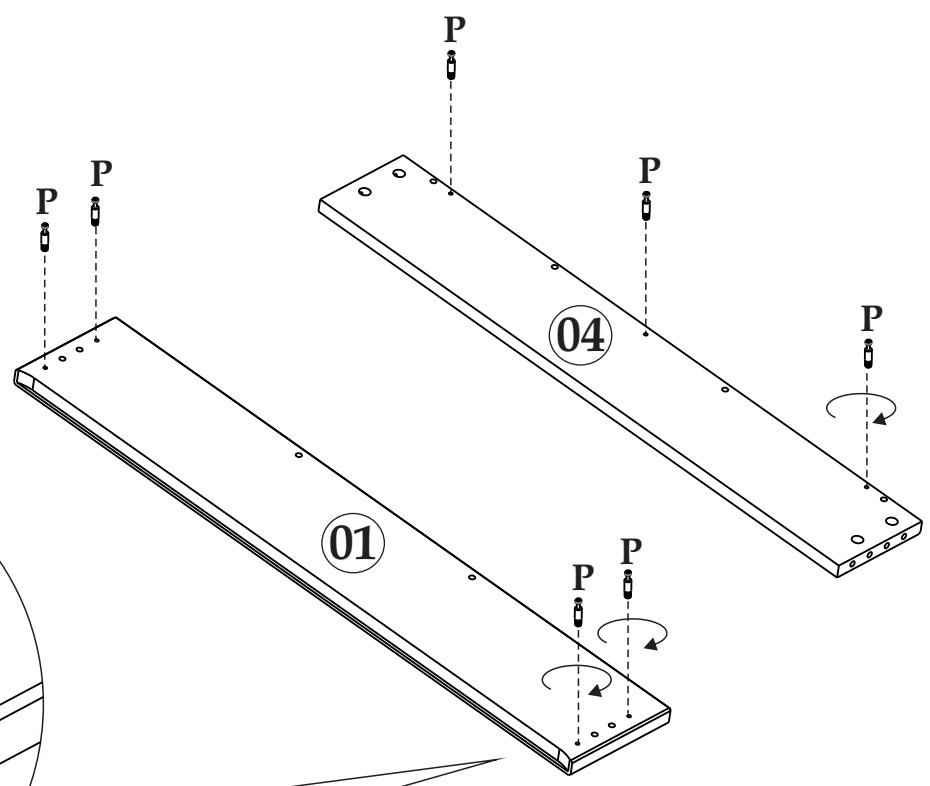
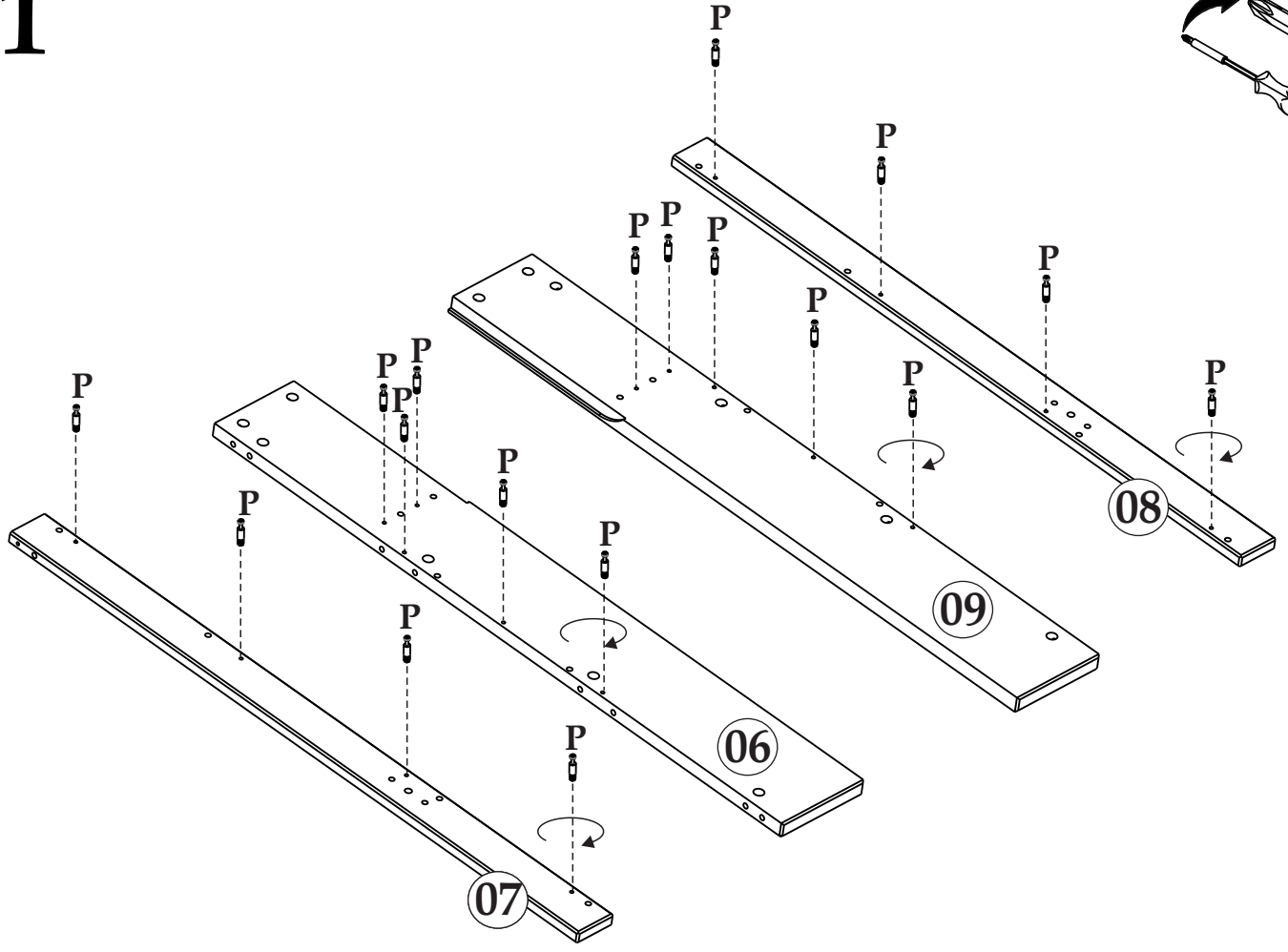
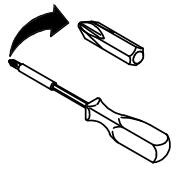
It would be sensible to lay a sheet or blanket on the floor where you intend to work to avoid scratching this product and to protect your floor.

This product is heavy. Take extreme care when lifting to avoid personal injury or damage to the product.

Assemble the product as close to its intended final position in the room as possible.

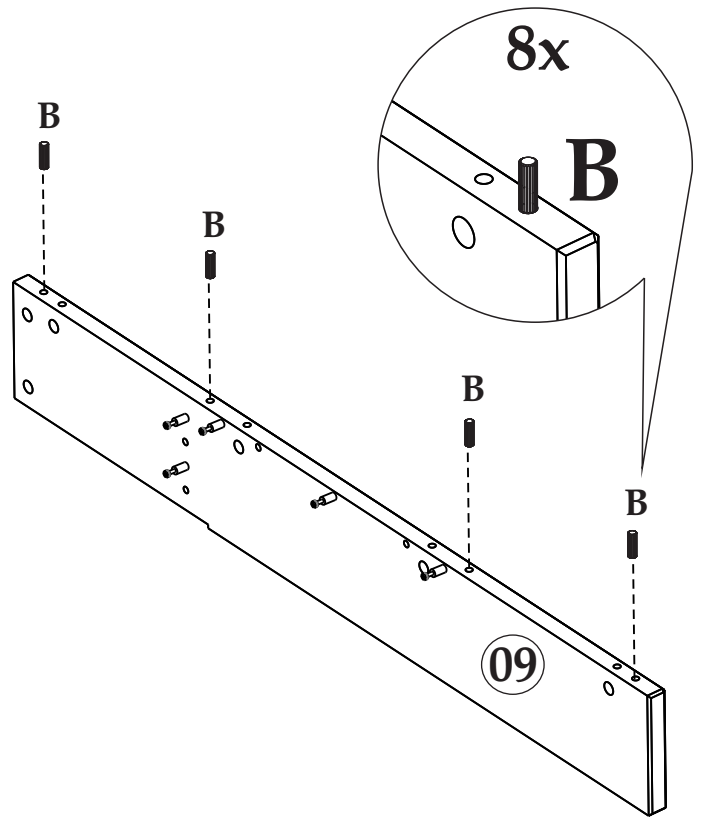
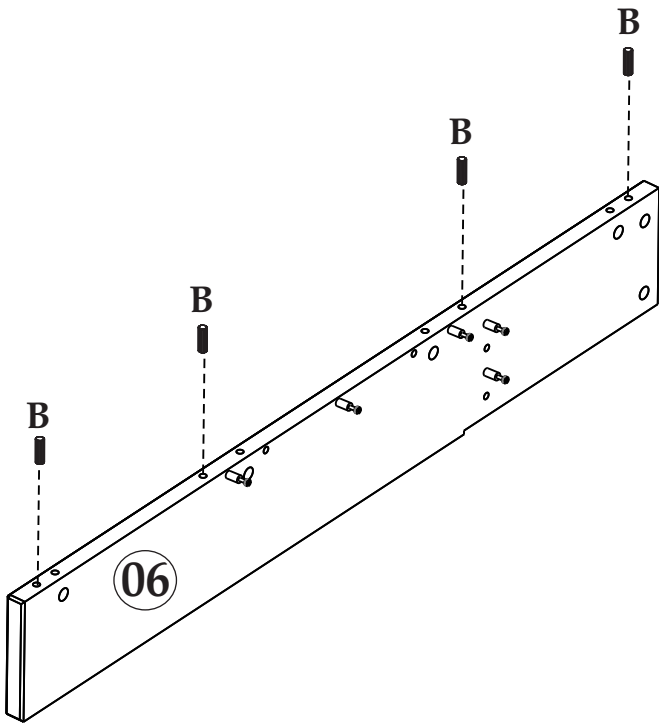
**HANDY HINT:** If you keep the hardware in a bowl during assembly you will be less likely to lose them.

# 1

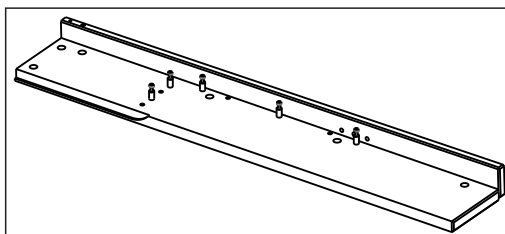
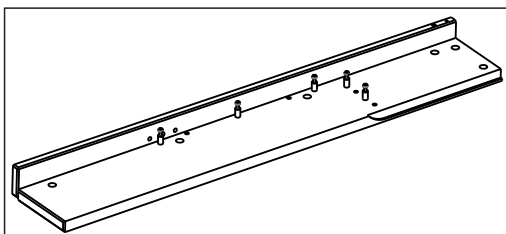
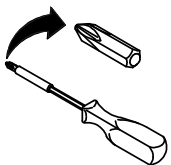
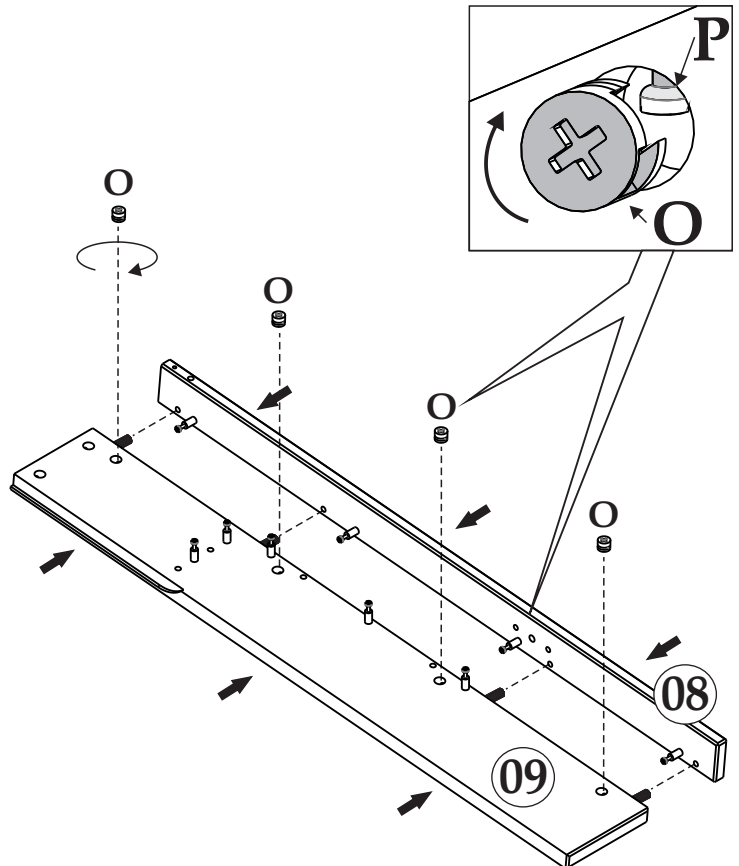
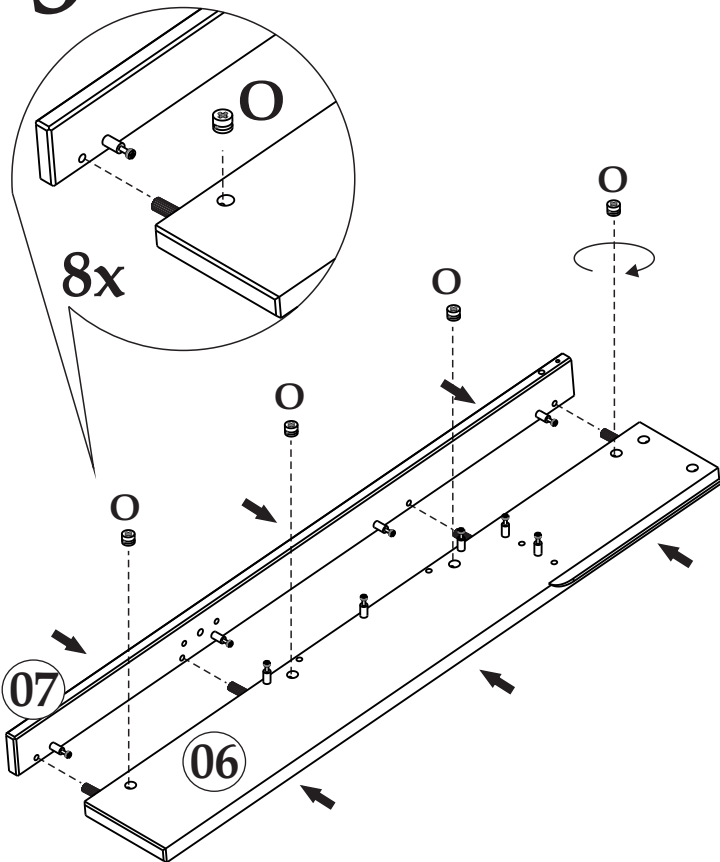


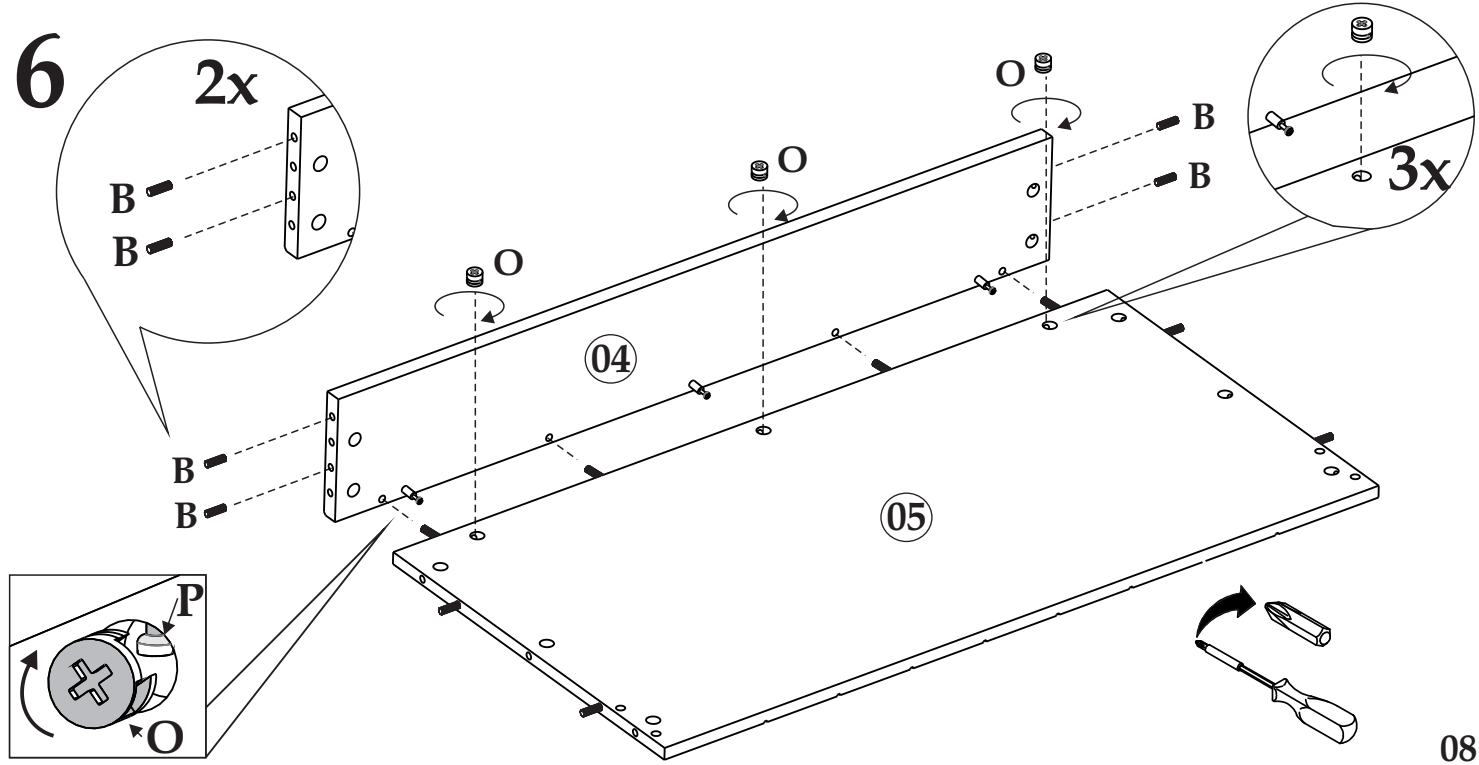
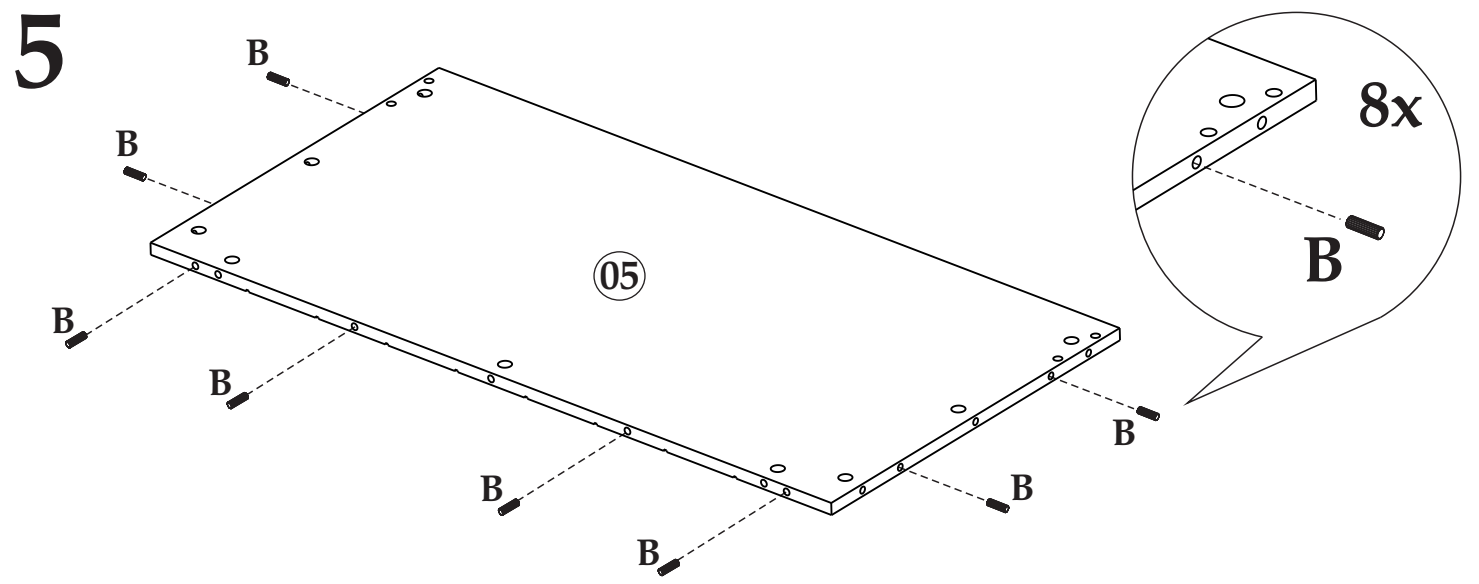
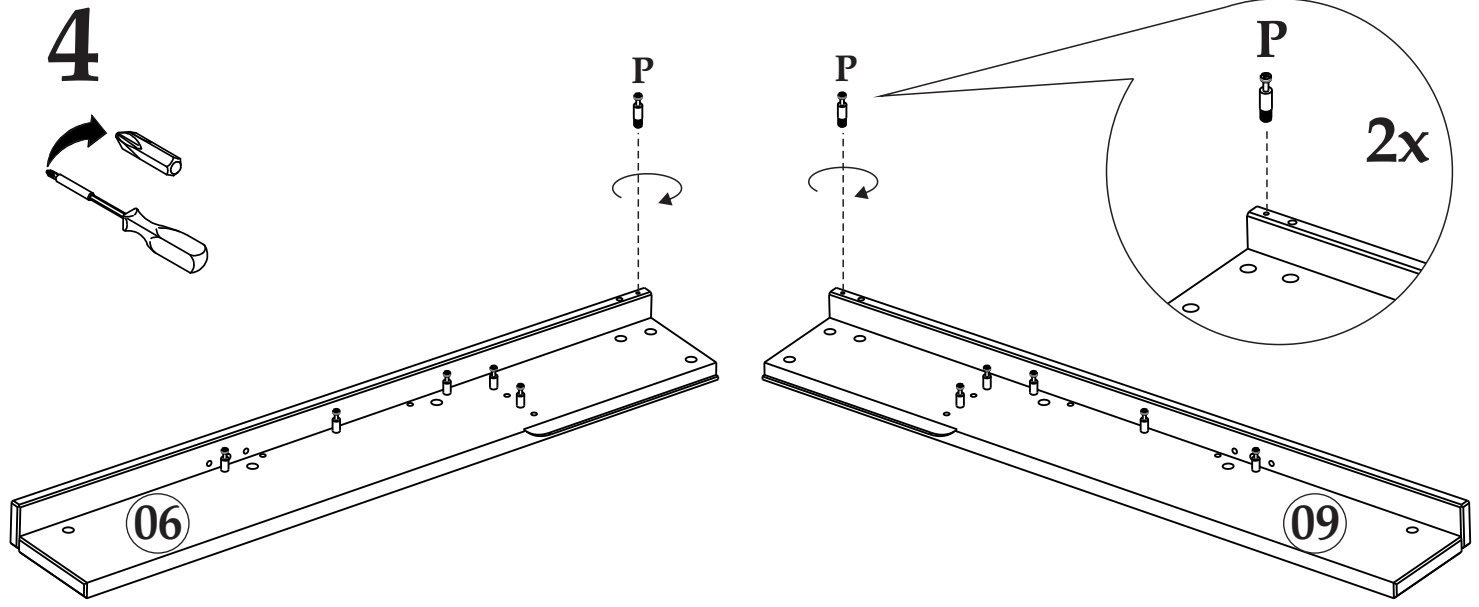
25x

# 2



# 3

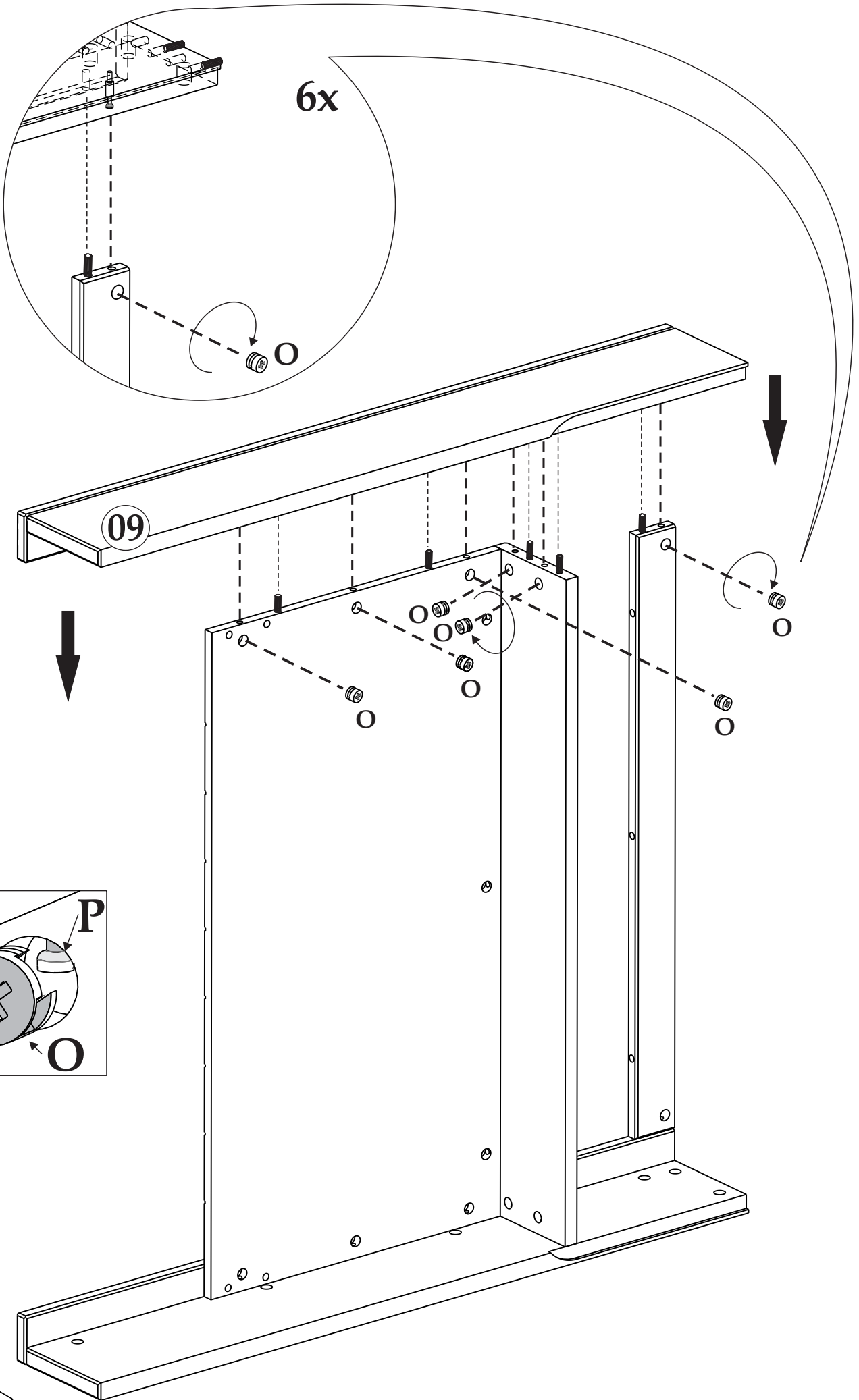




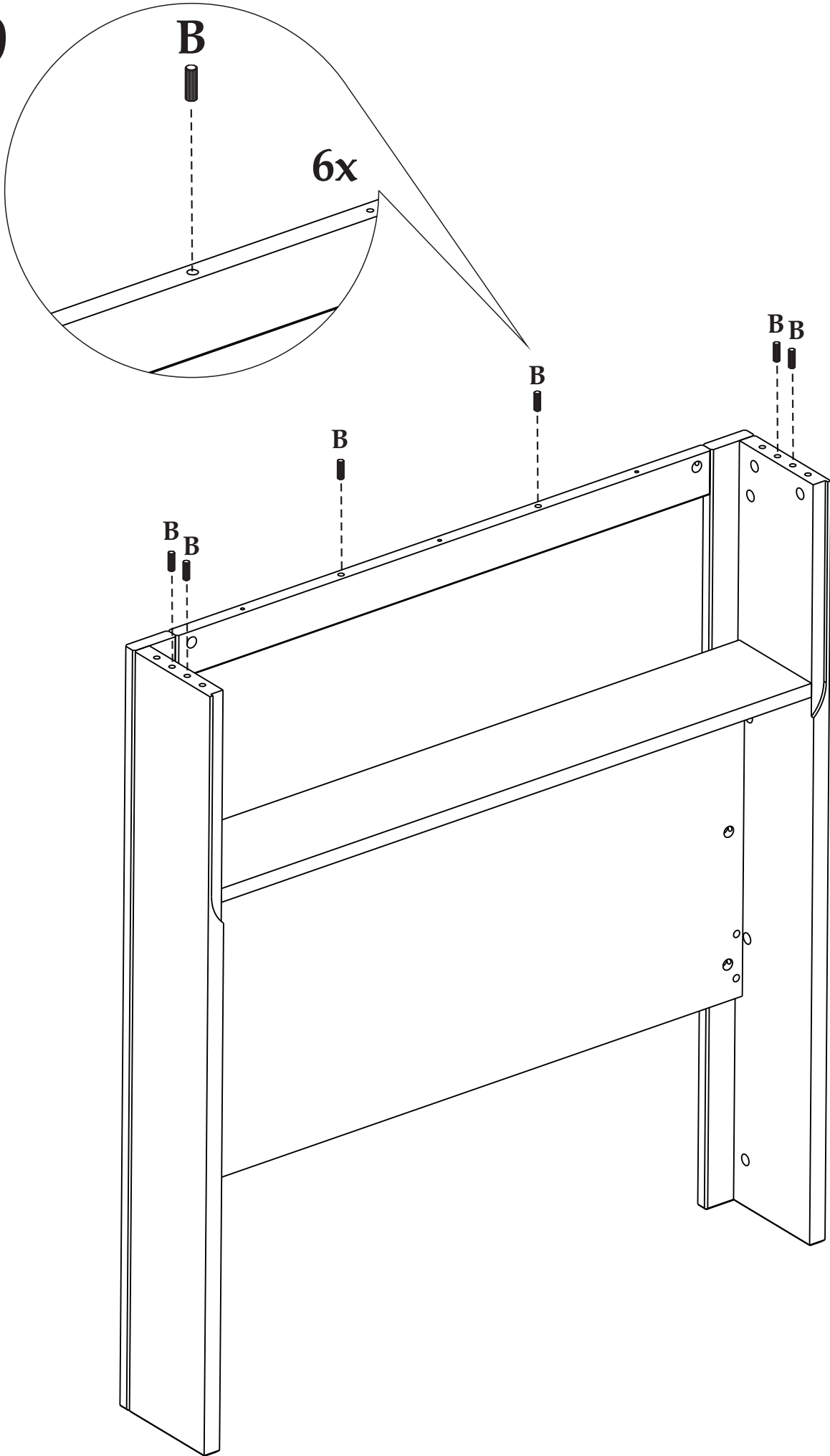




8



9



10

2x

01

C

C

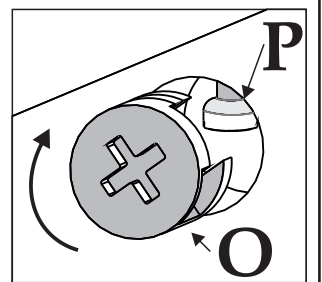
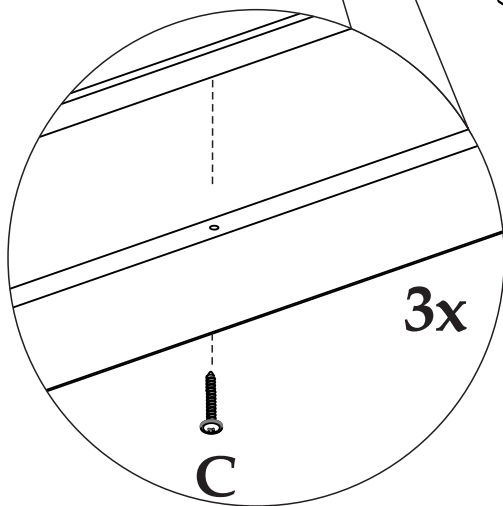
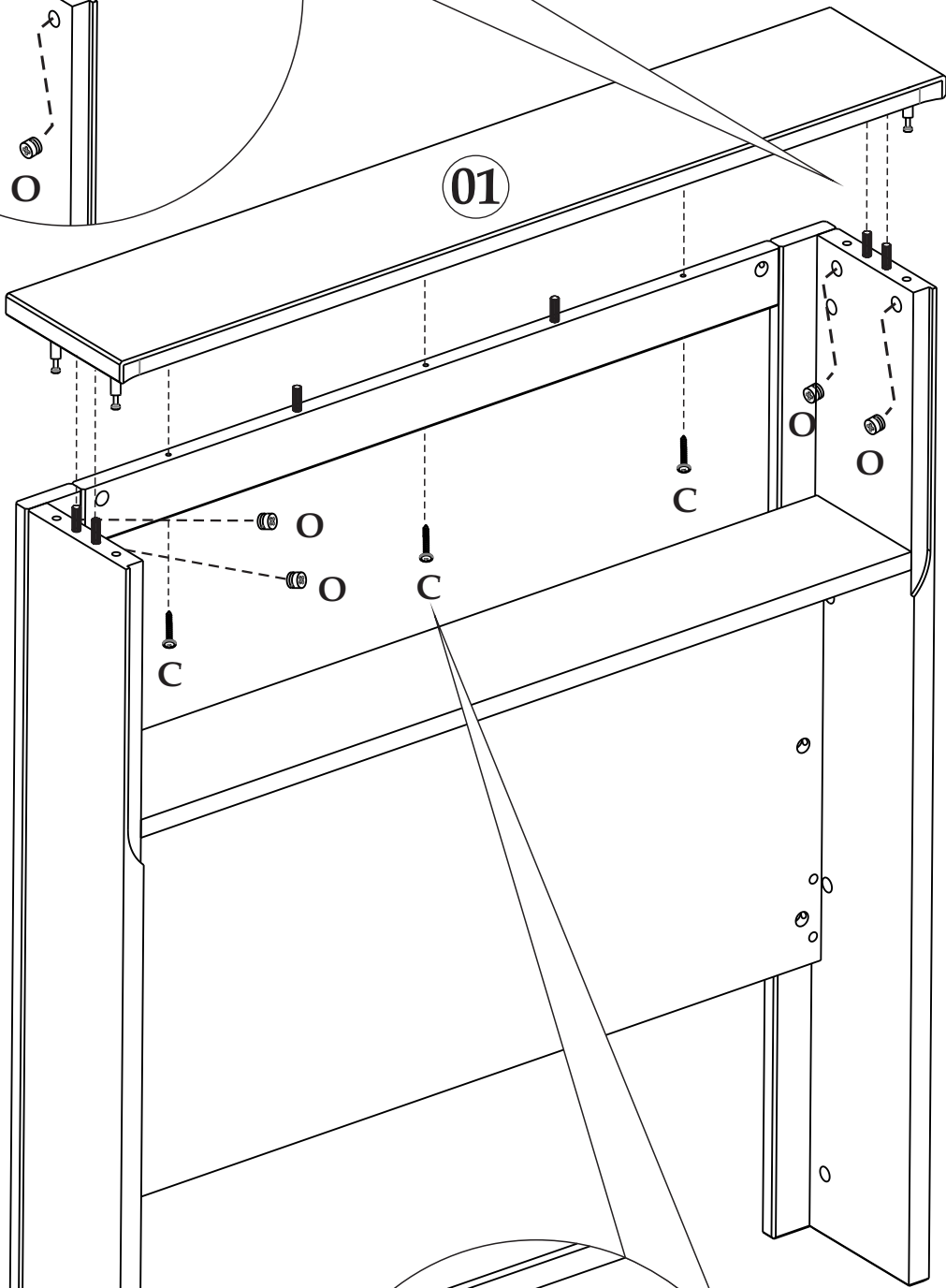
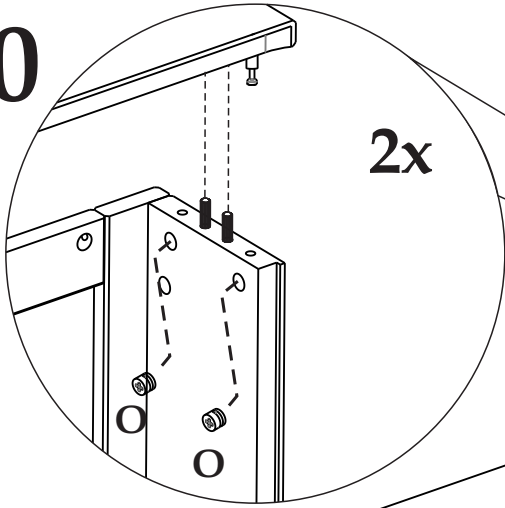
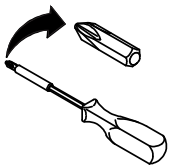
C

3x

C

P

O

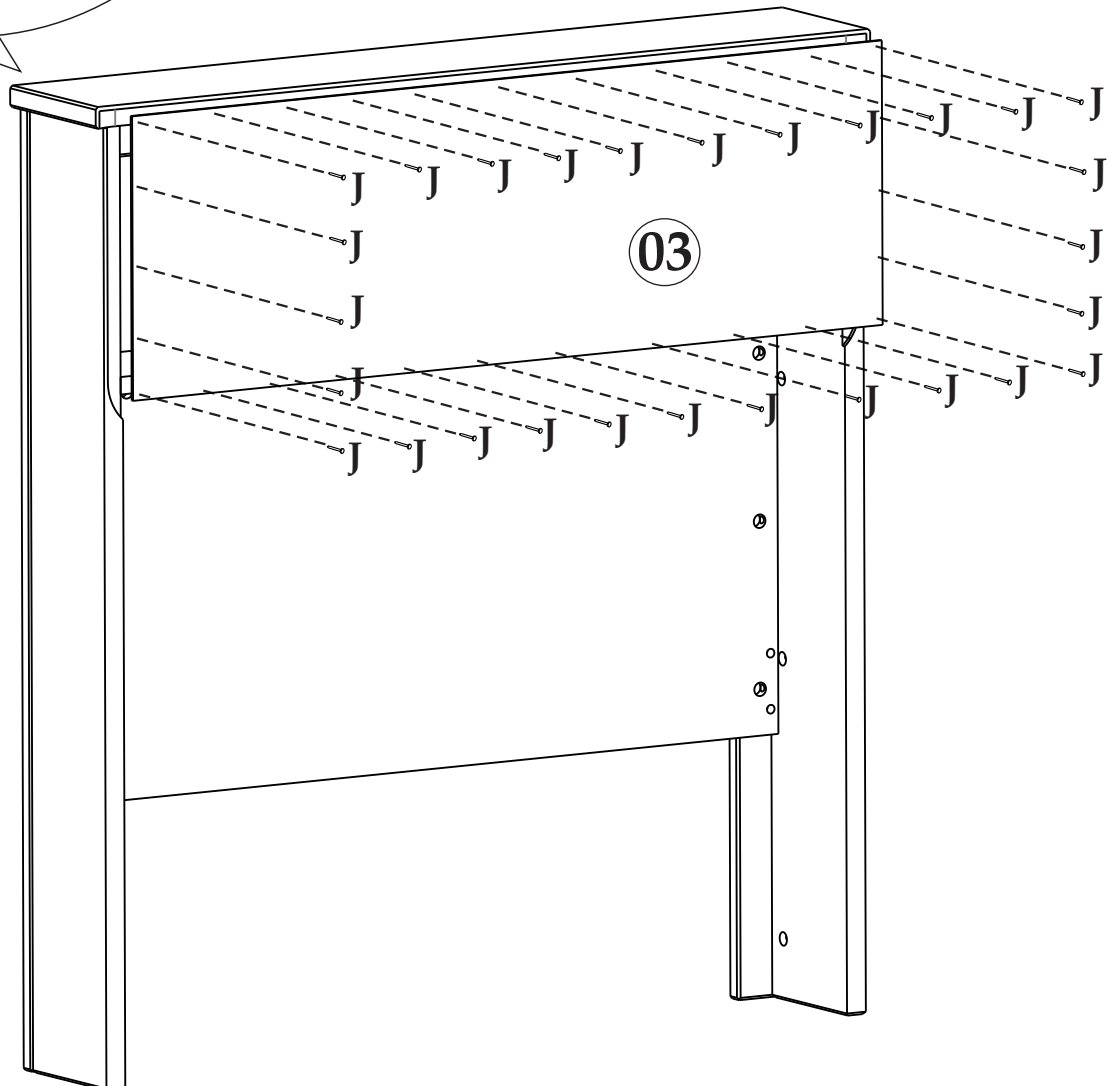
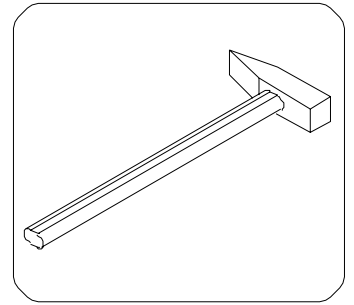
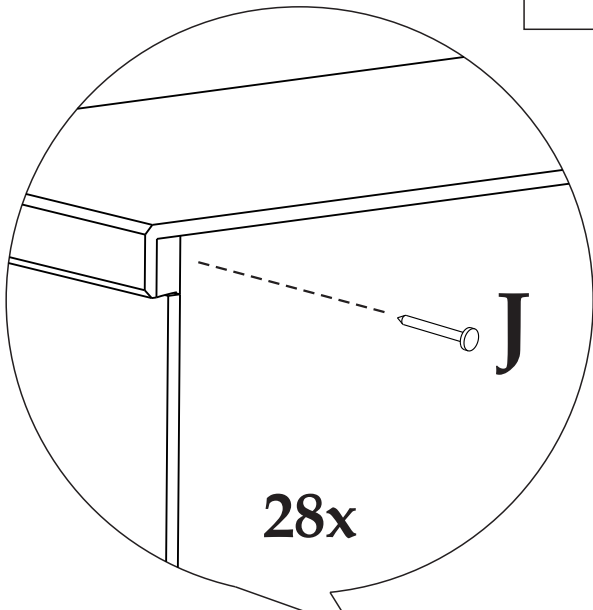
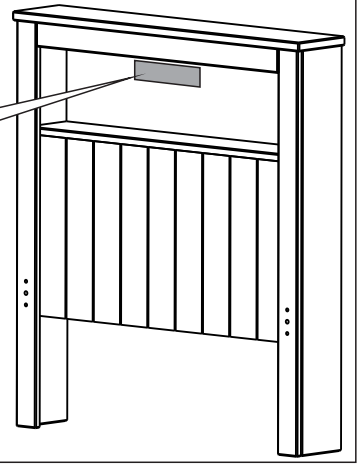


# 11

MAINE BOOKCASE BED 90cm  
Product Code: MAI013/ MAI113  
Distributed by : Julian Bowen Limited  
Bentnick House,  
Park Lane Business Park,  
Kirkby-in-Ashfield,  
Notts, NG17 9LE  
Factory ID: Manufactured in Brazil  
Date of Manufacture: February 2019

CERTIFICATION LABEL  
This childrens bed has been tested  
by an independent laboratory and is in  
compliance with BS8509:2008 + A1:2011  
Standard Consumer Safety  
Specification For Junior Beds

WARNING: This bed is not suitable for children under 4 years



# 12

4x

A

10

10

A

A

A

A

# 13

11

E

E

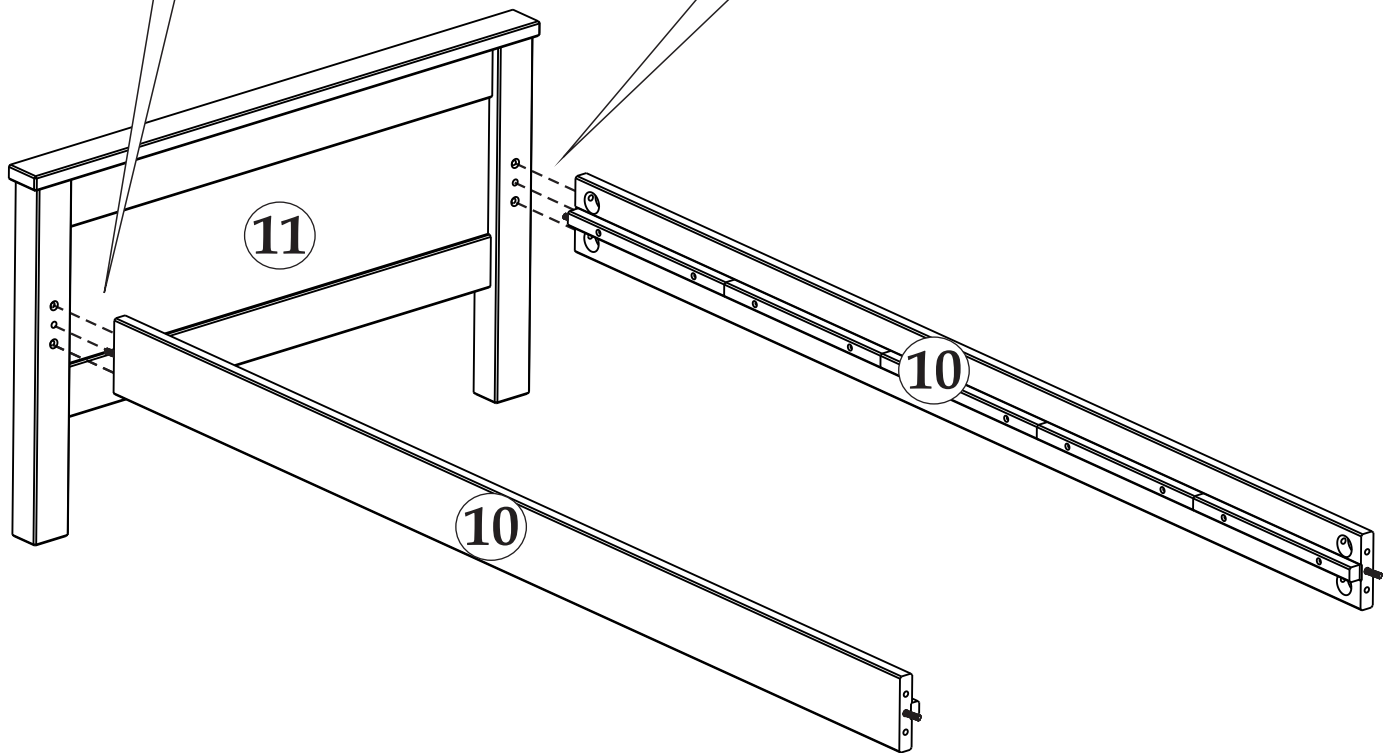
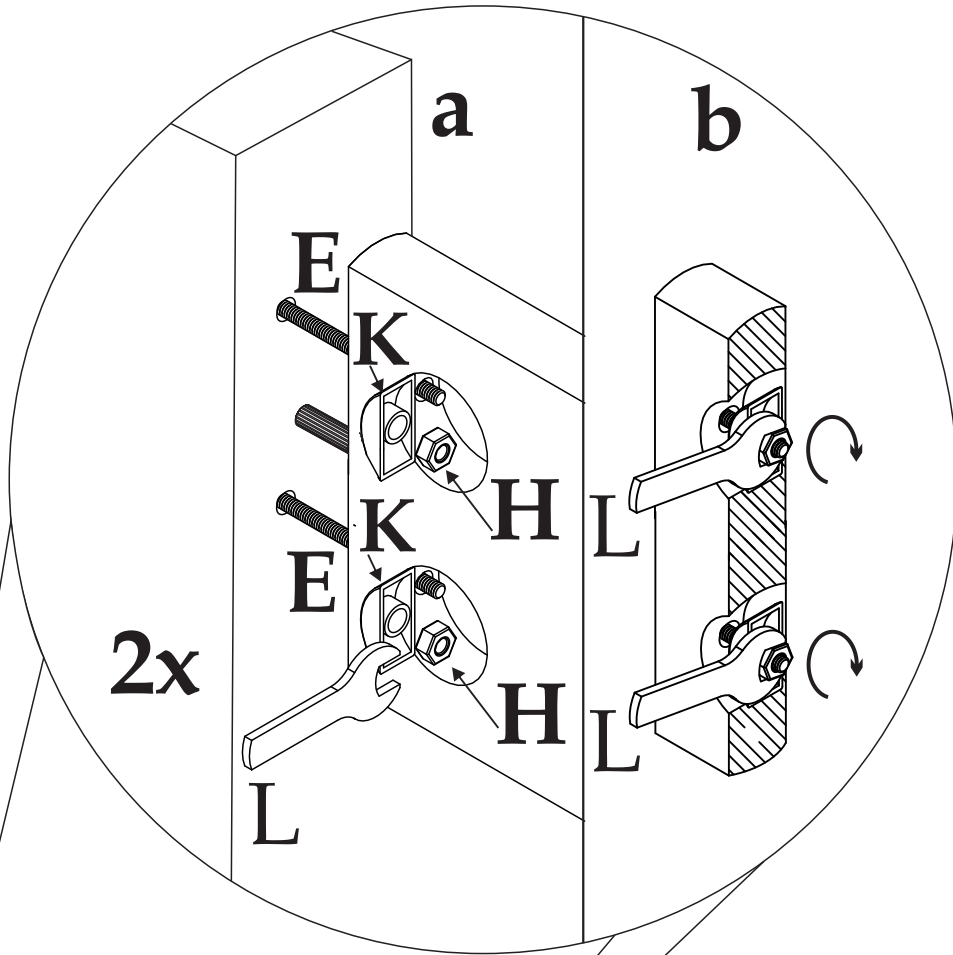
E

E

E

2x

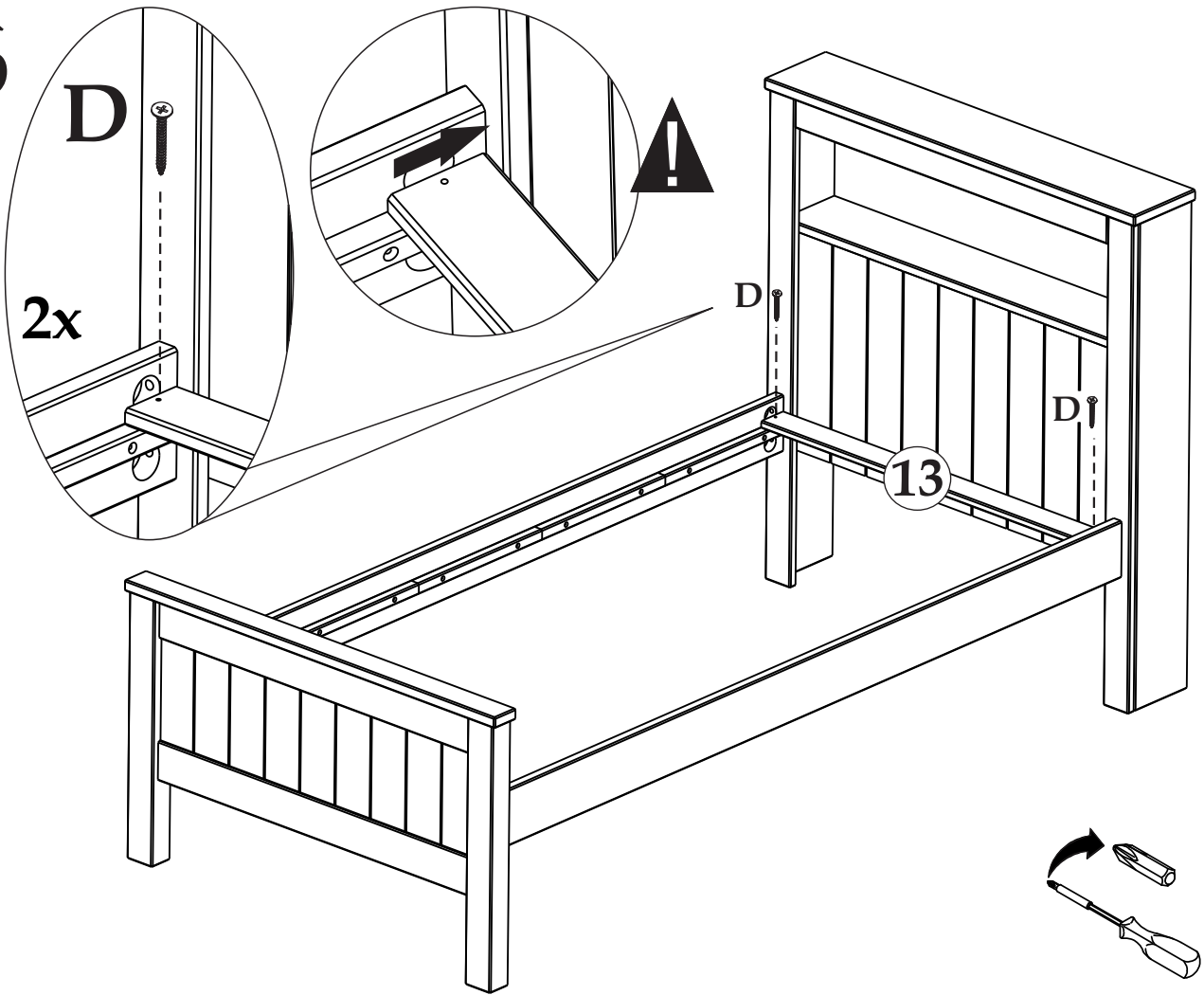
14



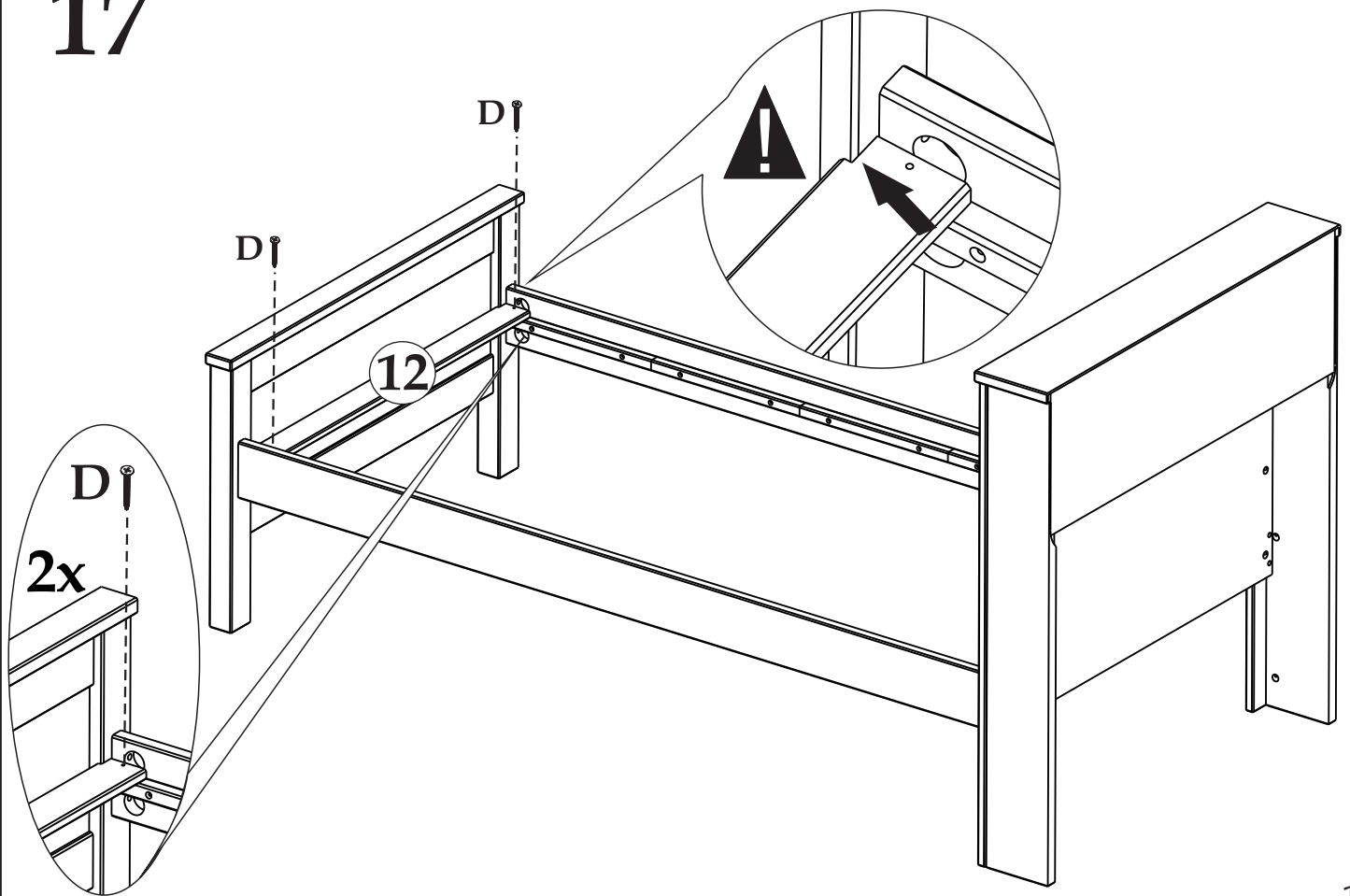




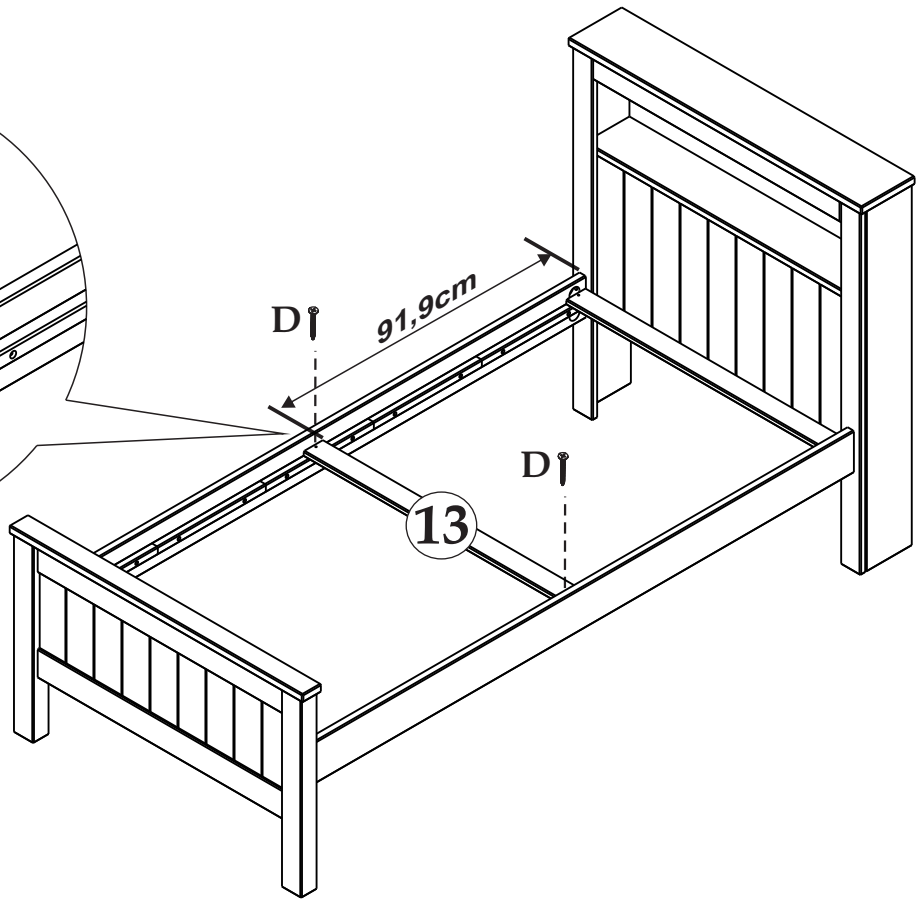
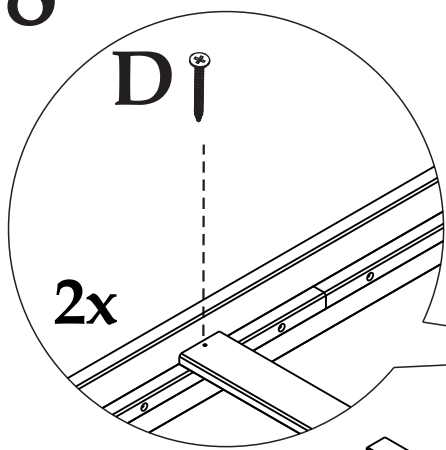
16



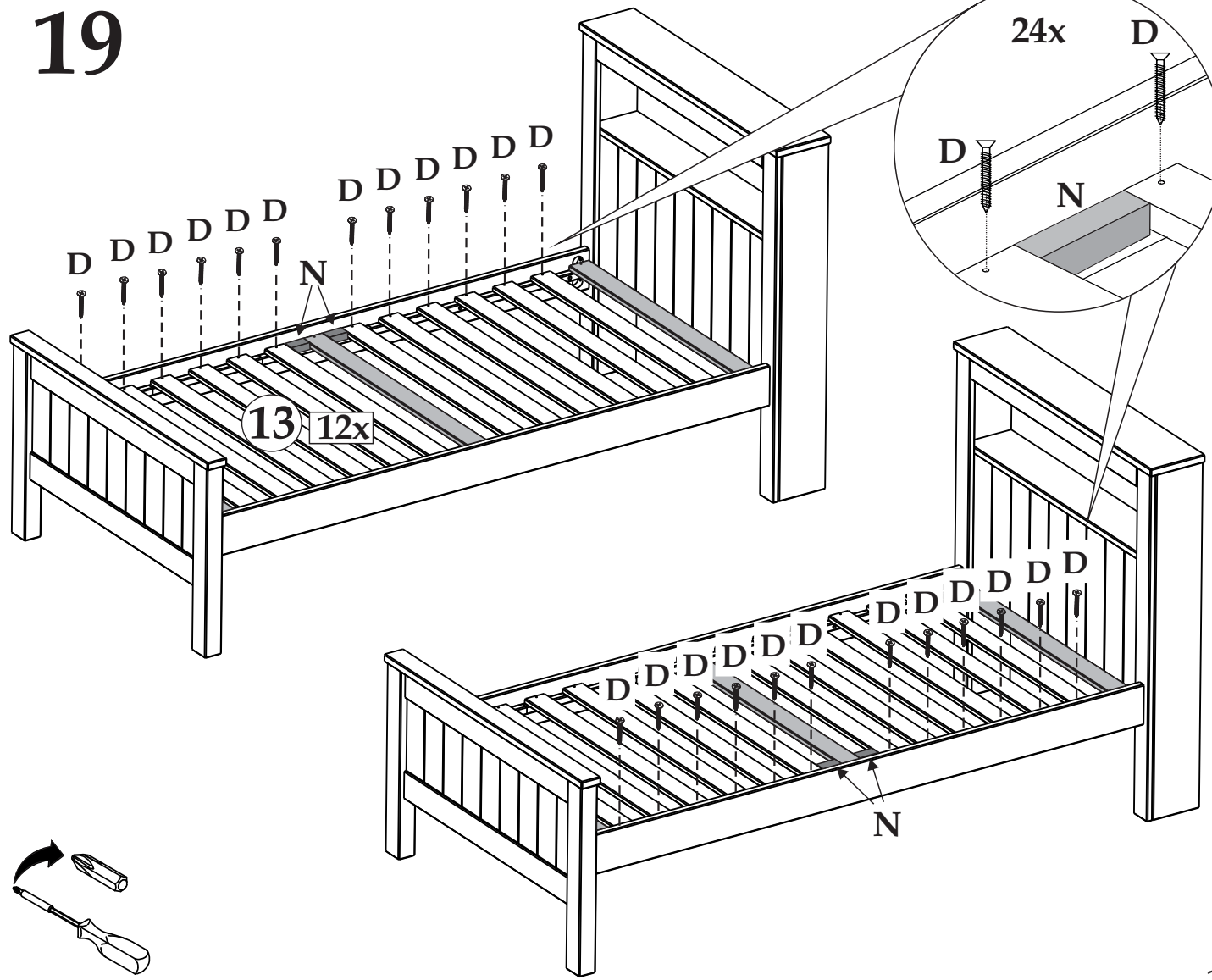
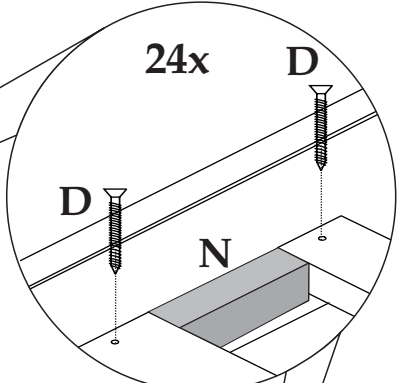
17



# 18



# 19



Please dispose of all packaging safely.

## General Care & Maintenance

Wipe clean with a slightly damp cloth.  
Avoid the use of all household cleaners and abrasives.

Periodically check all screw & fixings to ensure they are secure.  
When moving your product, carefully lift into place. Never drag or push the pieces across the floor as this will cause damage to the joints and could result in failure to the product that will invalidate the warranty.

For more information on cleaning and product care visit:  
<https://www.happybeds.co.uk/help-and-advice>

## Notes

We've tried to make this product as easy to assemble as possible. In the unlikely event that you have problems putting it together or have damaged or missing pieces, please contact us by visiting:  
<https://www.happybeds.co.uk/customer-service>



[www.happybeds.co.uk](http://www.happybeds.co.uk)

