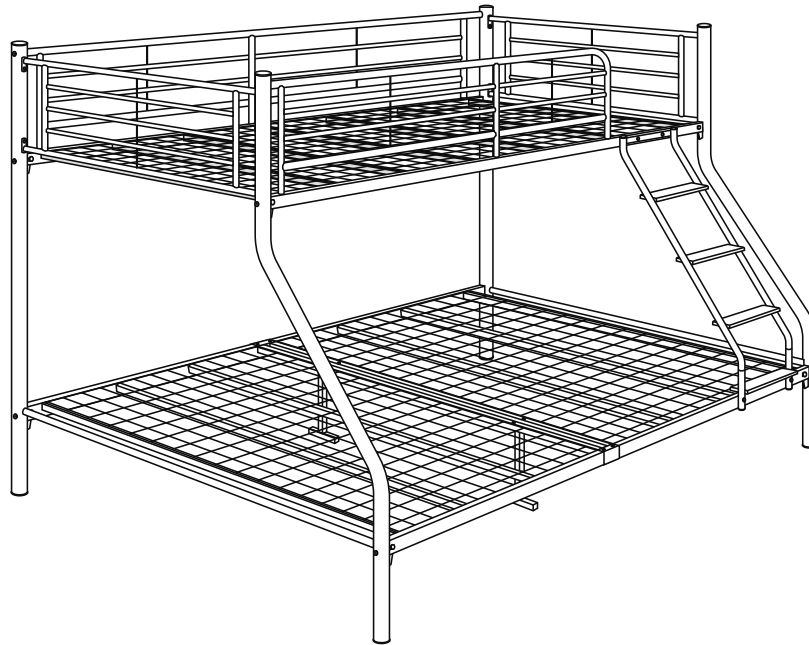




Assembly Instructions

Nexus Triple Sleeper Bunk Bed 3ft & 4ft6



Important before assembly:

Read these instructions carefully before assembling or using the product.

Please check the contents of the boxes before attempting to assemble this product. The instructions will have a checklist of parts and fittings.

It would be sensible to lay a rug or a carpet on the floor where you intend to assemble the product, to void scratches and damaging the product or the floor.

Assemble the product as close to its intended final location/room as possible.

Do NOT use any power tools as this may damage the frame.

Health & Safety:

This product or some parts of this product will be heavy. Please use an assistant when lifting.

DO NOT jump on the product or any of its parts.

DO NOT use this product if any parts are missing, damaged or worn.

DO NOT use this product unless all fixings are secured.

Please keep small parts out of reach of children.

Always use on a level, even surface.

Please keep these instructions for future reference.



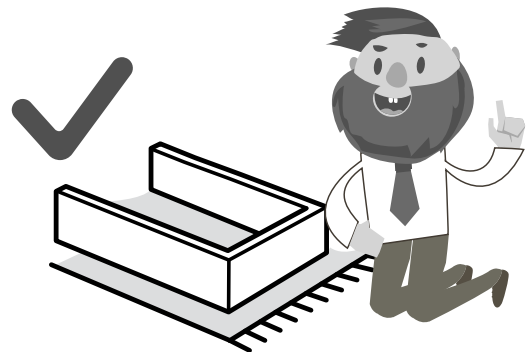
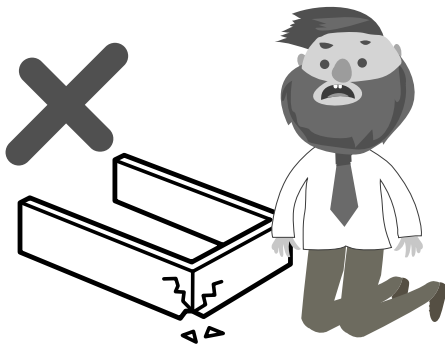
(Not metal)

These tools are not necessary, but may help to assemble certain parts of the product.

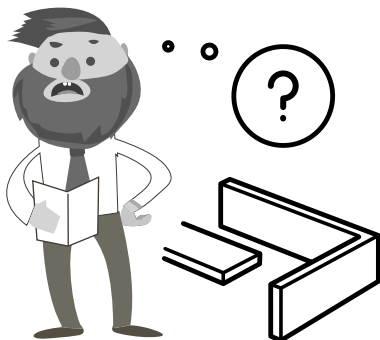
Do NOT use any power tools as this may damage the frame.



This product or some parts of this product will be heavy. Please use an assistant when lifting.



Never drag or push the pieces across a hard or stone floor as this will cause damage to the joints. Use a carpet or a rug for extra care.



If you have problems assembling or have damaged or missing pieces, please contact us by visiting:

<https://www.happybeds.co.uk/customer-service>



Important for High Sleepers, Bunk Beds and Children's Beds

Warning:

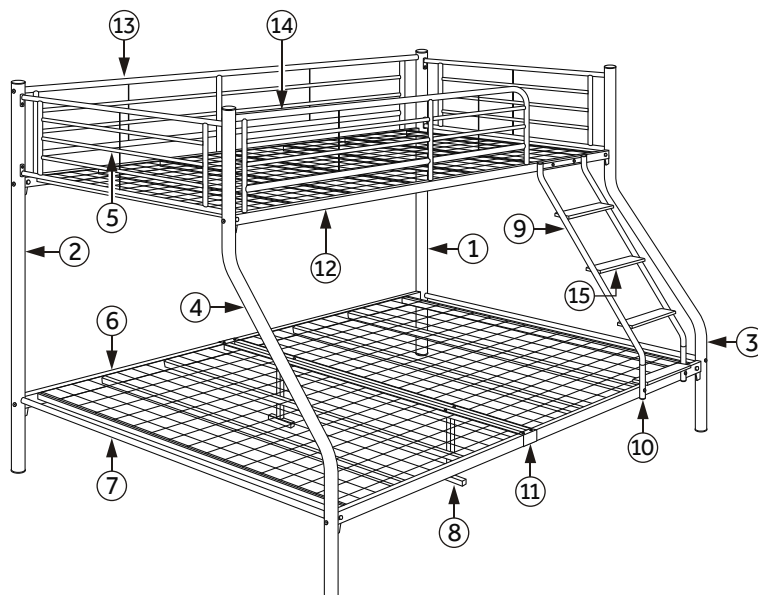
High sleepers and the upper tier of bunk beds are not suitable for children under 6 years of age due to risk of injury from falls.

High Sleepers and Bunk Beds present a risk of injury from strangulation if used incorrectly. Never attach or hang anything on any part of the bed that is not designed to be used with the bed, for example, but not limited to ropes, strings, cords, hooks, belts and bags.

Children can become trapped between the bed and the wall, a roof pitch, the ceiling and other pieces of furniture (e.g. wardrobes). To avoid risk of serious injury, the distance between the top safety barrier and any adjoining structure shall not exceed 75mm or shall be more than 230mm.

Maximum thickness of a mattress on the top tier is 18cm. Please refer to the label or marking on the headboard.

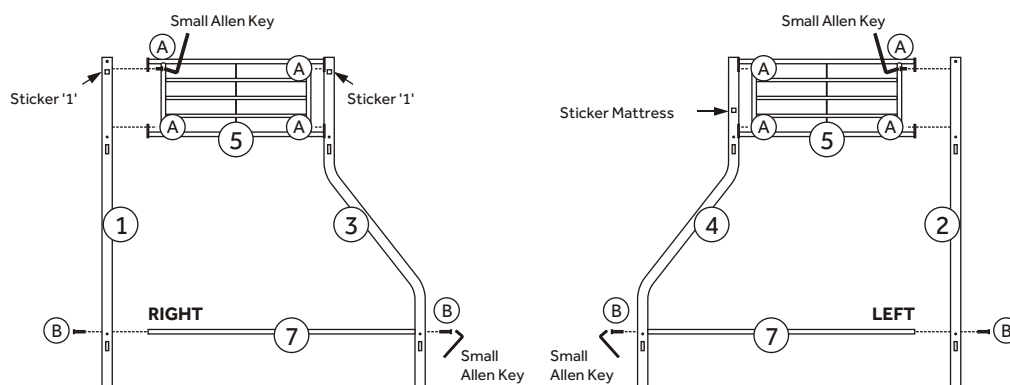
This bed has been tested by an independent laboratory and is in compliance with BS EN 747-1 : 2012+A1:2015 - Standard Consumer Safety specification for bunk beds & high sleepers.



PART LIST				HARDWARE LIST (FOUND IN BOX 2)		
Part	Description	Box	Qty	Part	Description	Qty
1	Right Post A (Sticker 1)	1	1	A	M6 x 16mm JCBC Screw	18
2	Left Post A	1	1	B	M6 x 80mm JCBC Screw	13
3	Right Post B (Sticker 1)	1	1	C	M6 x 60mm JCBC Screw	4
4	Left Post B	1	1	D	M6 Nut	8
5	Headend Frame	2	2	E	19mm M6 Flat Round Washer	4
6	Bottom Base	2	2	F	M6 x 35mm JCBC Screw	6
7	Frame Support	1	2	G	M8 Metal Square Nut	8
8	Base Leg	2	2	H	M8 x 95mm JCBC Screw	8
9	Ladder	2	1	I	50mm Round Cap	4
10	Ladder Connector	2	1	J	Black Round Stud	6
11	Center Support	2	2	**M4 Allen Key & M5 Allen Key provided		
12	Top Base	1	1			
13	Back Rail	1	1			
14	Front Rail	1	1			
15	Ladder Step	2	4			

STEP 1: Fix the Headend Frame (5) to the Right Post A (1) and Right Post B (3) using hardware part (A), then attach the Frame Support (7) using hardware part (B). Repeat for the left side.

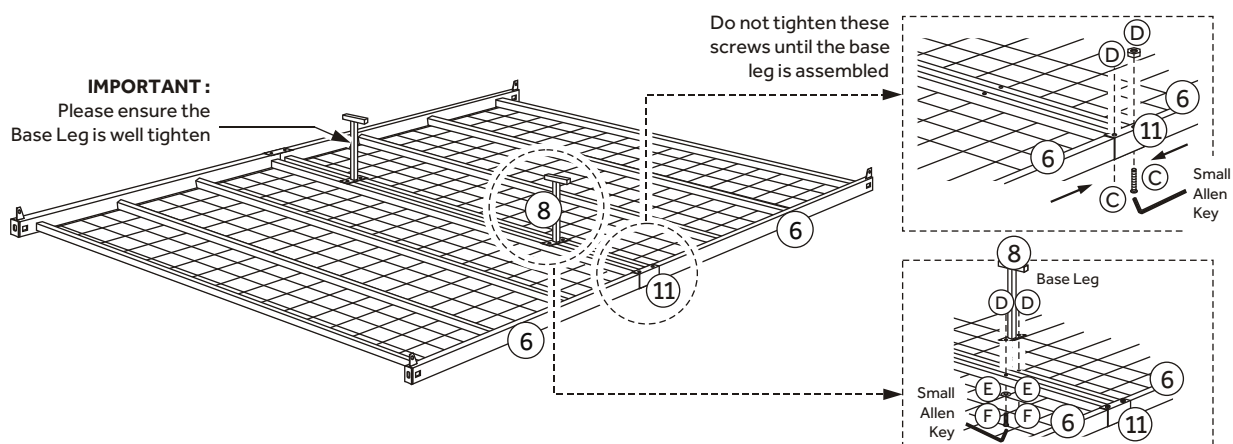
DO NOT use any power tools as this may damage the frame and will invalidate any claim.



IMPORTANT : Please ensure all the screw are being tighten up

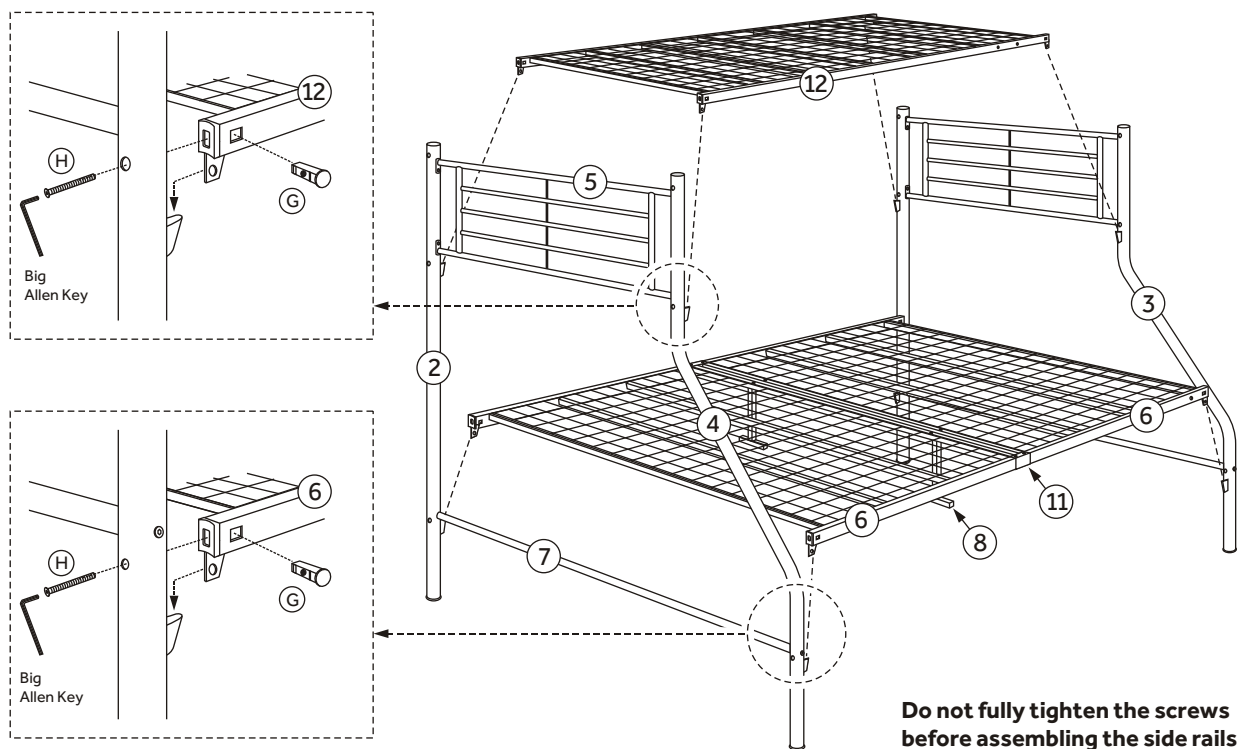
STEP 2: Join together the Bottom Base Panels (6) with the Center Support (11) using hardware parts (C) and (D), then attach the Base Legs (8) using hardware parts (D), (E) and (F).

DO NOT use any power tools as this may damage the frame and will invalidate any claim.



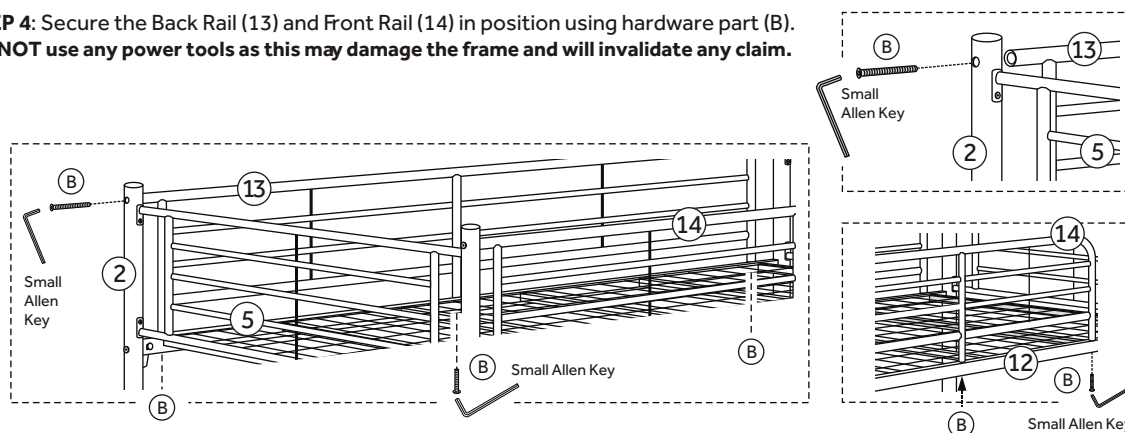
STEP 3: Attach the Top Base (12) and Bottom Base (6) using hardware parts (G) and (H) but do not fully tighten yet.

DO NOT use any power tools as this may damage the frame and will invalidate any claim.



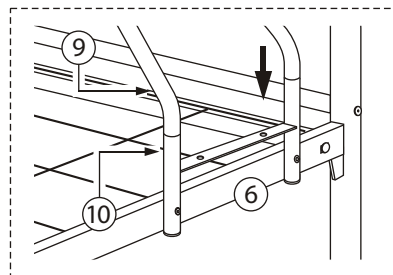
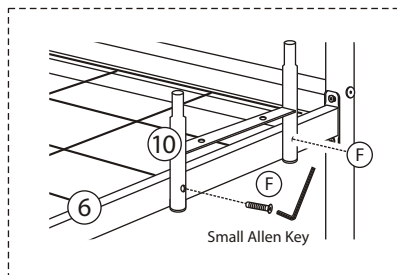
STEP 4: Secure the Back Rail (13) and Front Rail (14) in position using hardware part (B).

DO NOT use any power tools as this may damage the frame and will invalidate any claim.



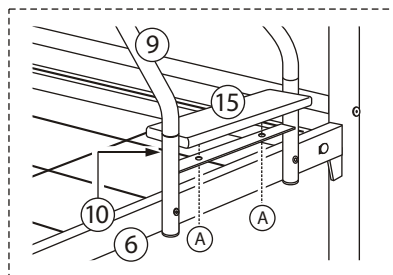
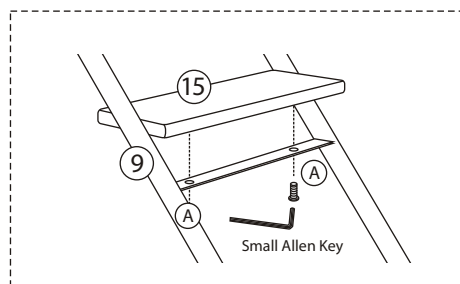
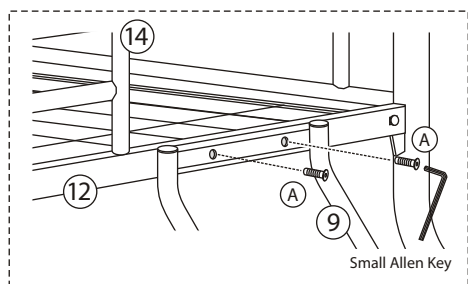
STEP 5 : Fix the Ladder Connectors (10) to the Bottom Base (6) using hardware part (F), then slot the Ladder (9) into the Ladder Connectors (10)

DO NOT use any power tools as this may damage the frame and will invalidate any claim.



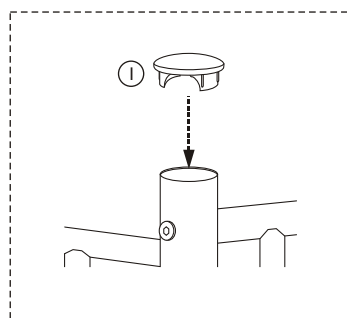
STEP 6 : Secure the Ladder (9) to the Top Base (12) using hardware parts (A), then attach the Ladder Steps (15) to the Ladder (9) and Ladder Connector (10) using hardware part (A).

DO NOT use any power tools as this may damage the frame and will invalidate any claim.



STEP 7 : Insert hardware part (I) to the bed posts.

DO NOT use any power tools as this may damage the frame and will invalidate any claim.



NOTE: PLEASE INSERT THOSE BLACK ROUND STUD (J) INTO THE EXTRA 10MM HOLES.

Please dispose of all packaging safely.

General Care & Maintenance

Wipe clean with a slightly damp cloth.
Avoid the use of all household cleaners and abrasives.

Periodically check all screw & fixings to ensure they are secure.
When moving your product, carefully lift into place. Never drag or push the pieces across the floor as this will cause damage to the joints and could result in failure to the product that will invalidate the warranty.

For more information on cleaning and product care visit:
<https://www.happybeds.co.uk/help-and-advice>

Notes

We've tried to make this product as easy to assemble as possible. In the unlikely event that you have problems putting it together or have damaged or missing pieces, please contact us by visiting:

<https://www.happybeds.co.uk/customer-service>



www.happybeds.co.uk

