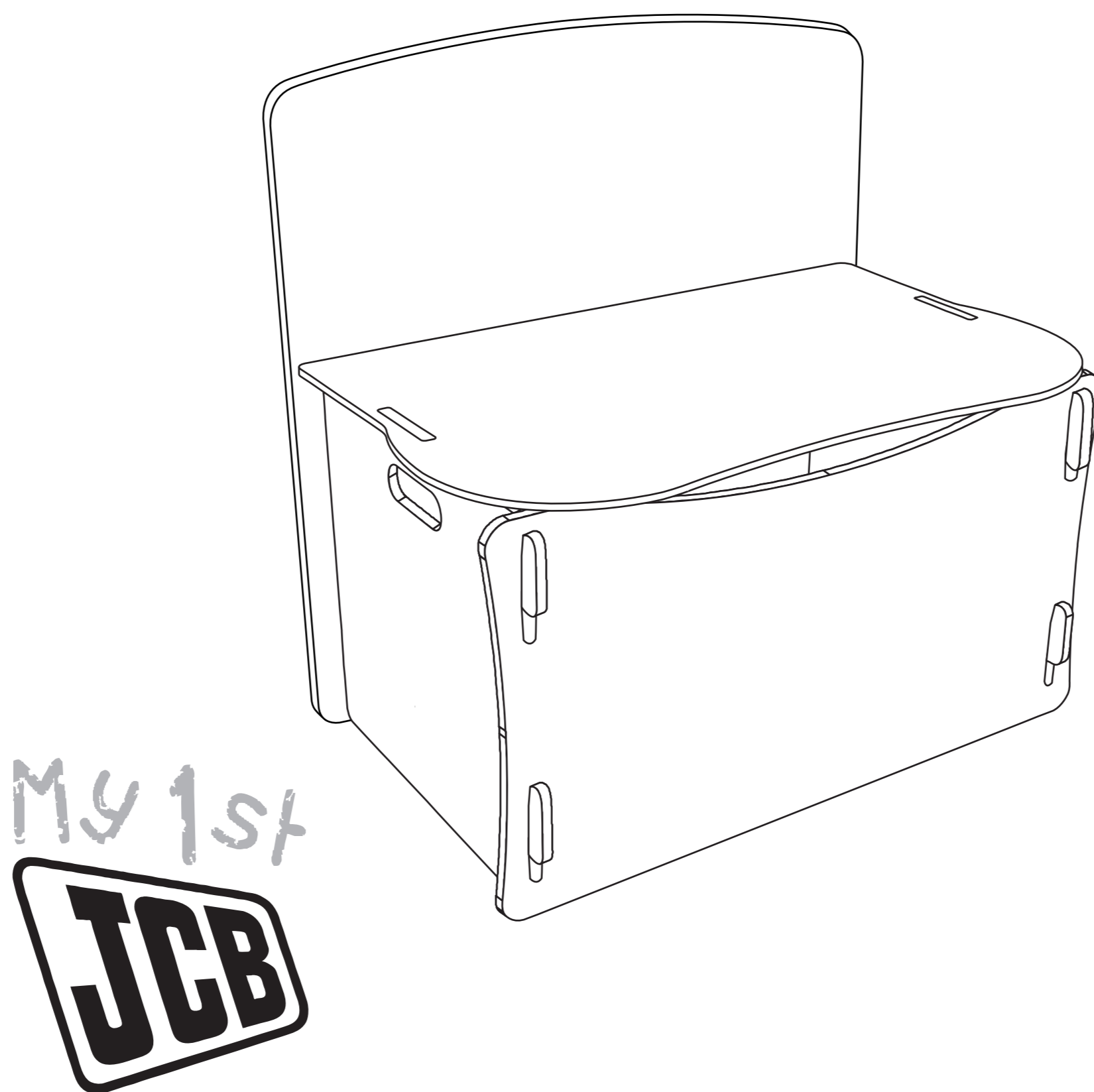


**IMPORTANT
KEEP FOR FUTURE REFERENCE & READ CAREFULLY**

JCB PLAYBOX



INSTRUCTIONS

Important to read before assembly:

Please check the contents of the box before attempting to assemble this product. The instructions will have a checklist of parts and fittings.

Only adults should assemble this product.

Assemble the product as close to its intended final location/room as possible.

Do NOT use any power tools as this may damage the frame.

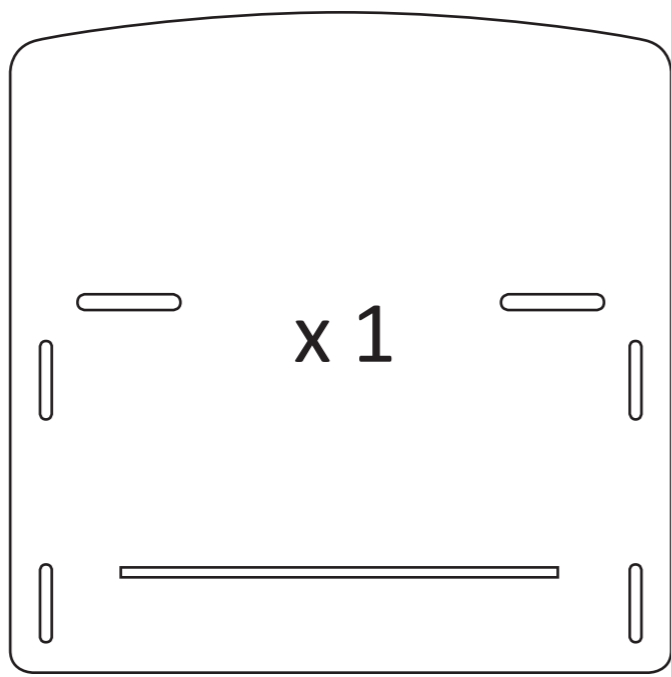
You may require an assistant when lifting, as this product or some parts of this product may be heavy

Please keep small parts out of reach of children.

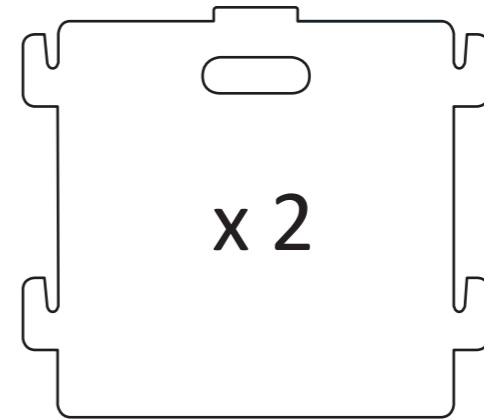
The back page also details some more information on safety, care and maintenance.

PARTS LIST

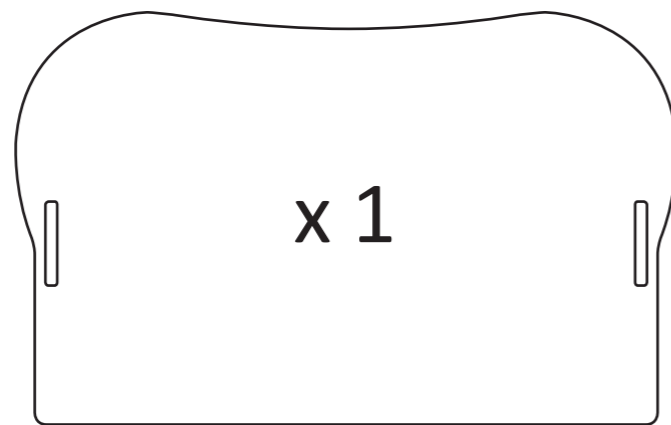
1.



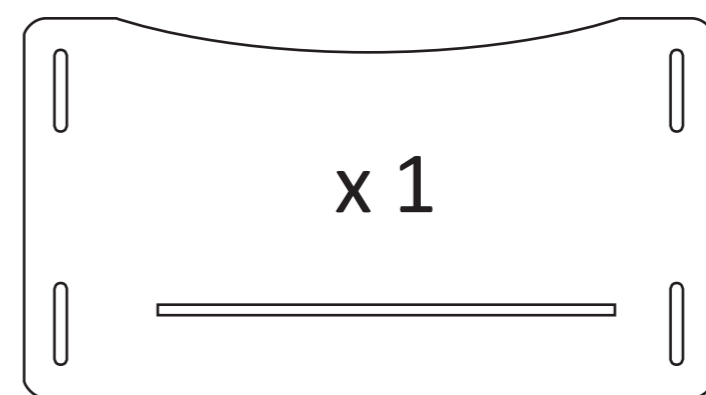
2.



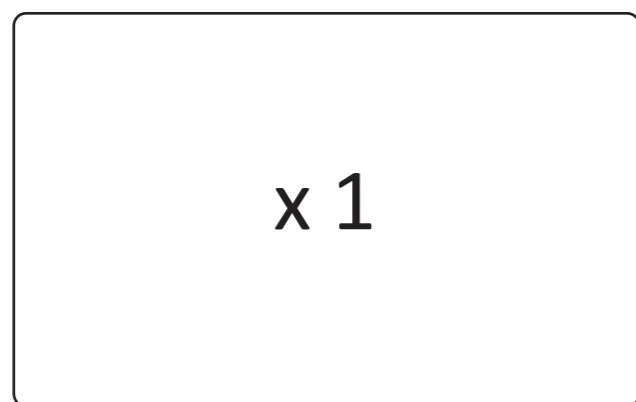
3.



4.



5.



6.

7.

8.

1. Back Panel

3. Top Panel

5. Base

7.

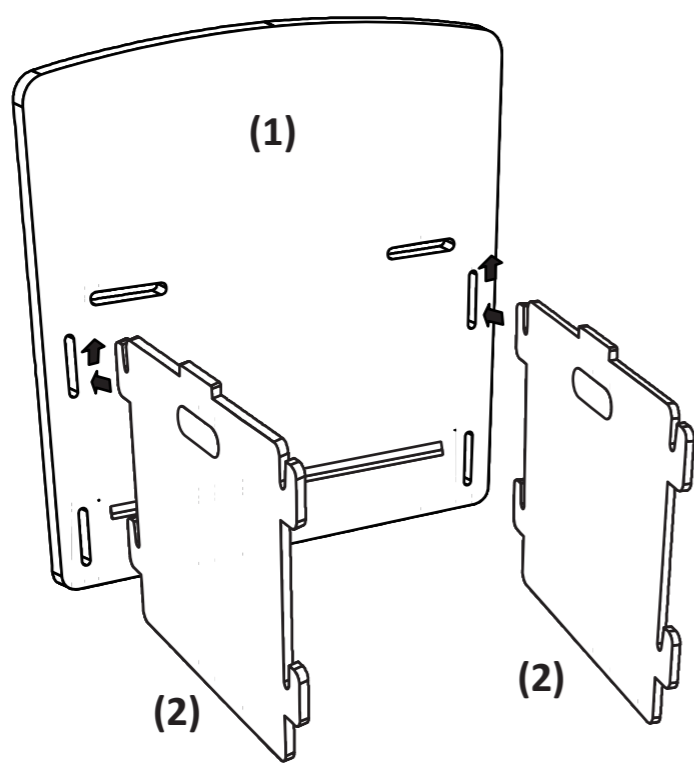
2. Side Panel

4. Front Panel

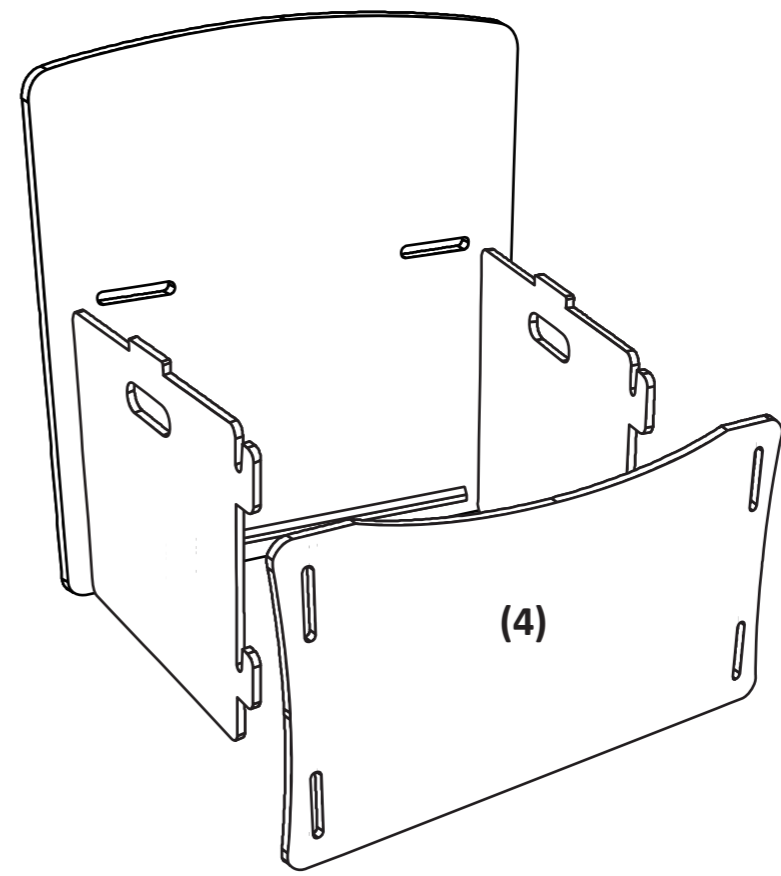
6.

8.

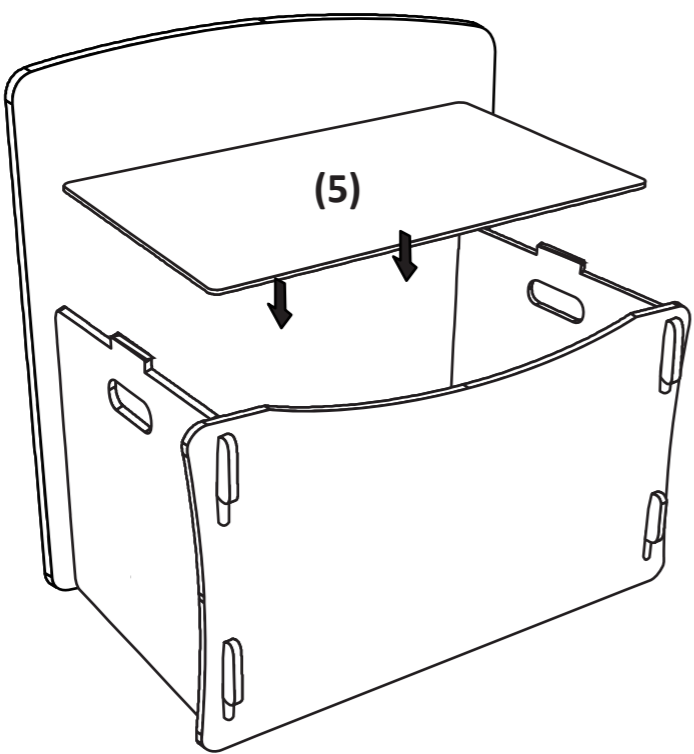
A



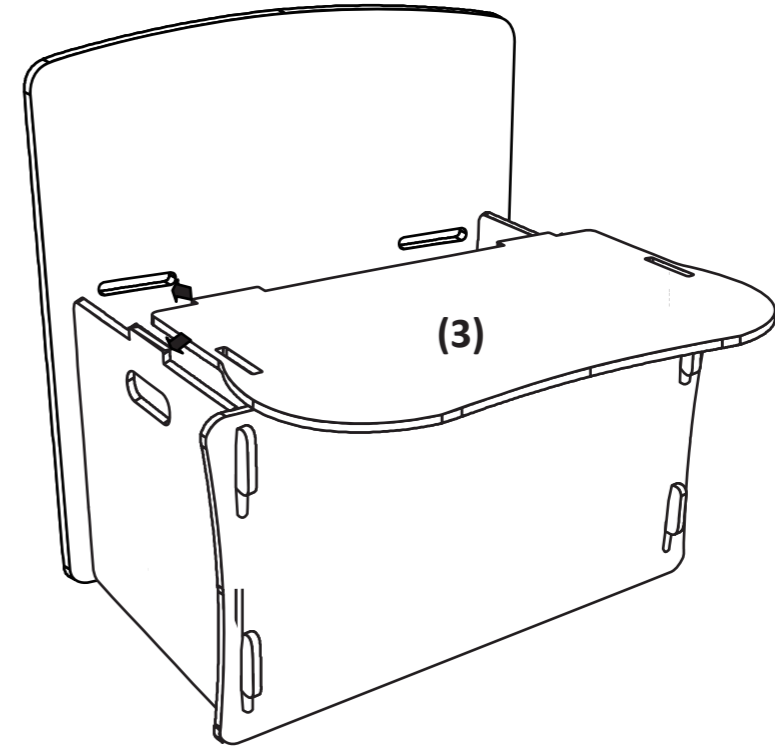
B



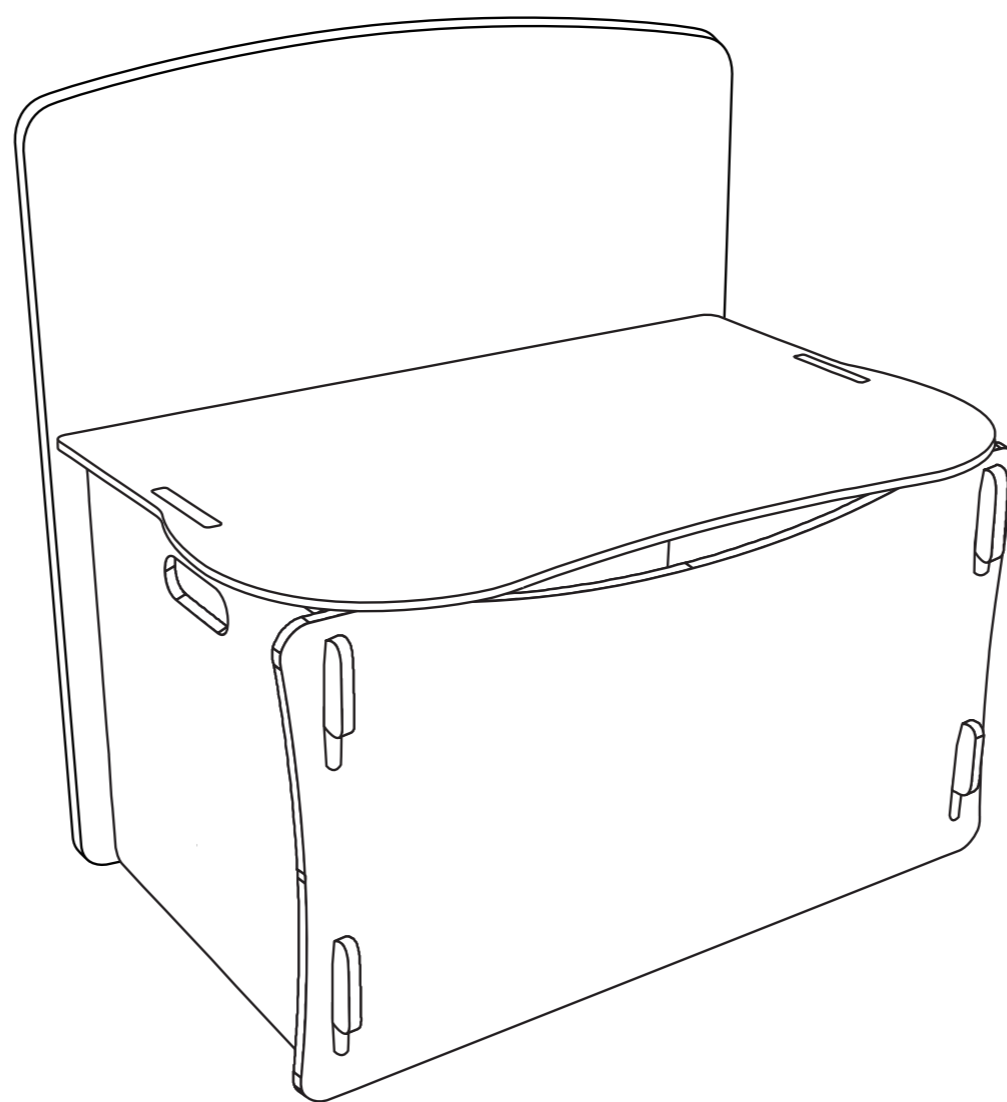
C



D



- A. Take the back panel (1) and slot in the side panels (2).
- B. Slot the front panel (4) onto the side panels (2).
- C. Place the base (5) into the 4 sides and rest on the bars.
- D. Slot the top panel (3) onto the side panels (2).



The playbox is now complete, please read the user guide notes to maintain the unit to its highest standard.

Please dispose of all packaging safely.

User Guide

Please take a little time to read the important safety notes detailed below. This will ensure many years of happy and safe use.

Safety

- Keep this product away from fire and direct heat sources.
- Only use spares approved by Happy Beds.
- Always clear and empty the product before dismantling.
- Do not use this bed if any part is broken, torn or missing.
- Do not use this product unless all fixings are secured.
- Always use on a level, even surface.
- Only adults should assemble this product.

General Care & Maintenance

- Wipe clean with a slightly damp cloth.
- Avoid the use of all household cleaners and abrasives.
- Periodically check all screw & fixings to ensure they are secure.
- When moving your product, carefully lift into place. Never drag or push the pieces across the floor as this will cause damage to the joints and could result in failure to the product that will invalidate the warranty.

For more information on cleaning and product care visit:

<https://www.happybeds.co.uk/help-and-advice>

Notes

We've tried to make this product as easy to assemble as possible. In the unlikely event that you have problems putting it together or have damaged or missing pieces, please contact us by visiting:

<https://www.happybeds.co.uk/customer-service>

Please keep these instructions for future reference.



www.happybeds.co.uk

