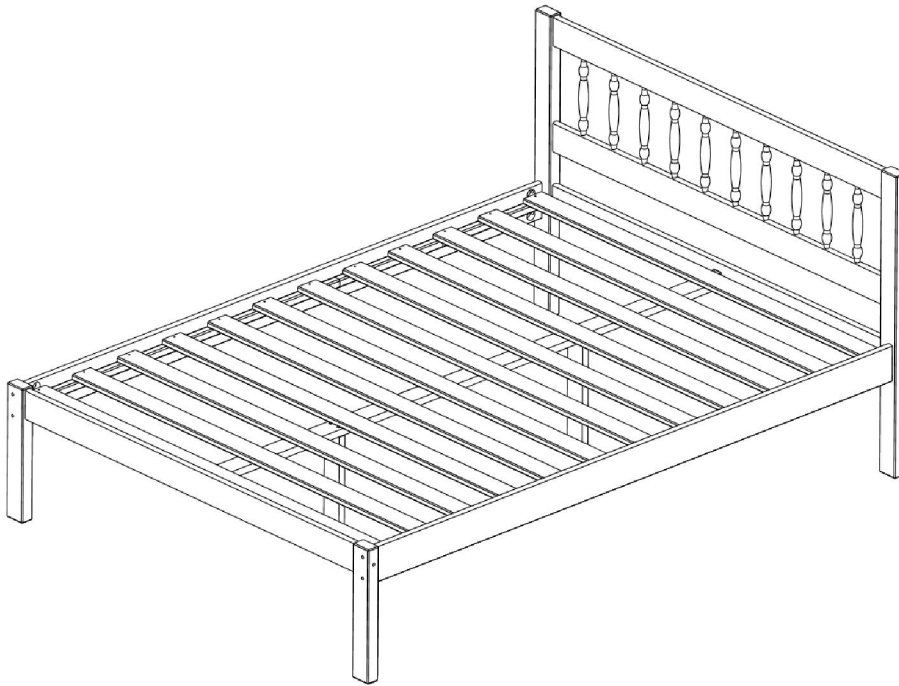




Assembly Instructions

Santos Bed



Important before assembly:

Read these instructions carefully before assembling or using the product.

Please check the contents of the boxes before attempting to assemble this product. The instructions will have a checklist of parts and fittings.

It would be sensible to lay a rug or a carpet on the floor where you intend to assemble the product, to void scratches and damaging the product or the floor.

Assemble the product as close to its intended final location/room as possible.

Do NOT use any power tools as this may damage the frame.

Health & Safety:

This product or some parts of this product will be heavy. Please use an assistant when lifting.

DO NOT jump on the product or any of its parts.

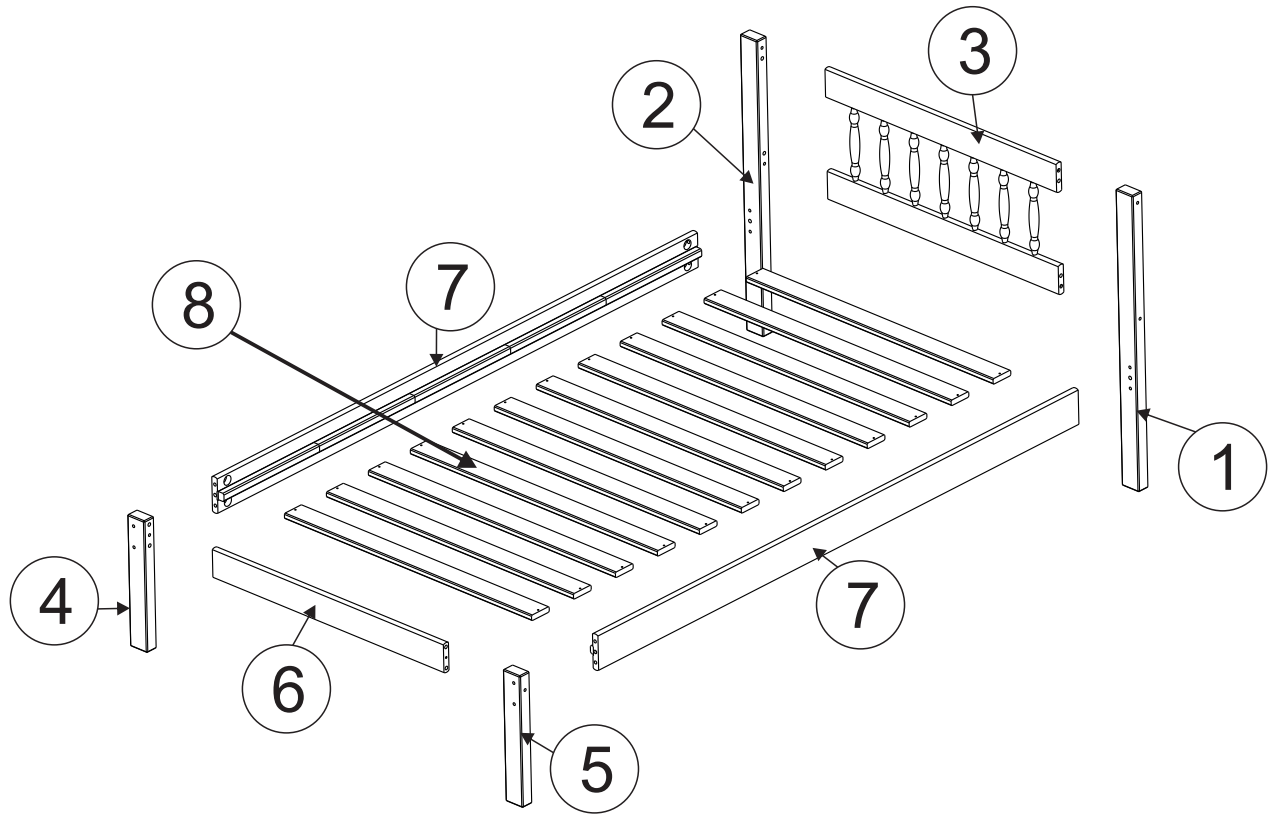
DO NOT use this product if any parts are missing, damaged or worn.








DO NOT use this product unless all fixings are secured.

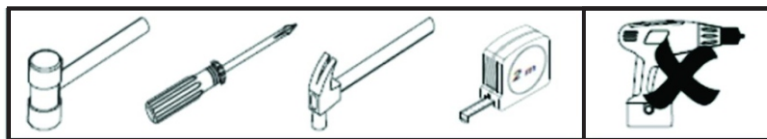
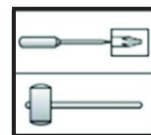
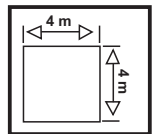
Please keep small parts out of reach of children.

Always use on a level, even surface.

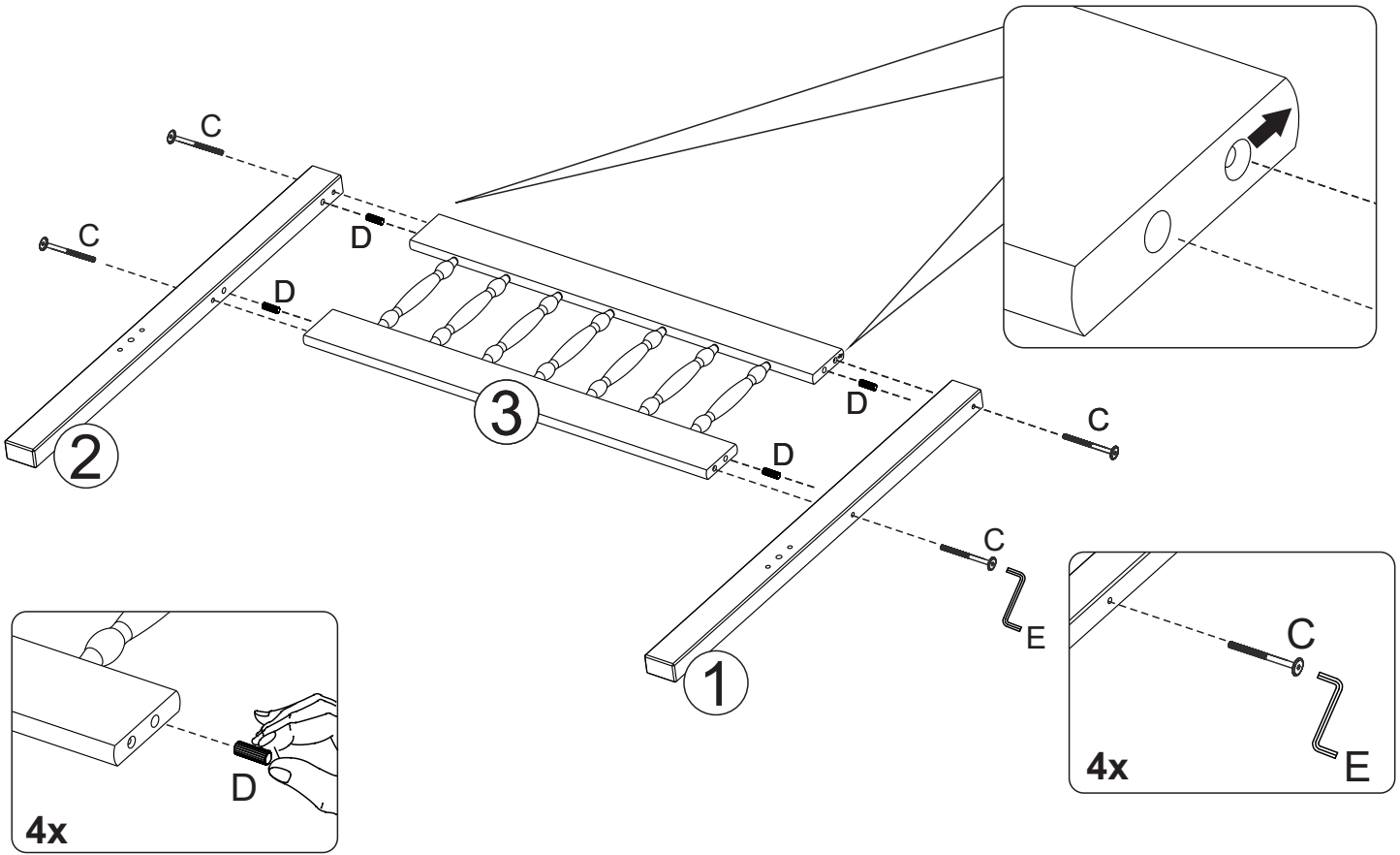
Please keep these instructions for future reference.



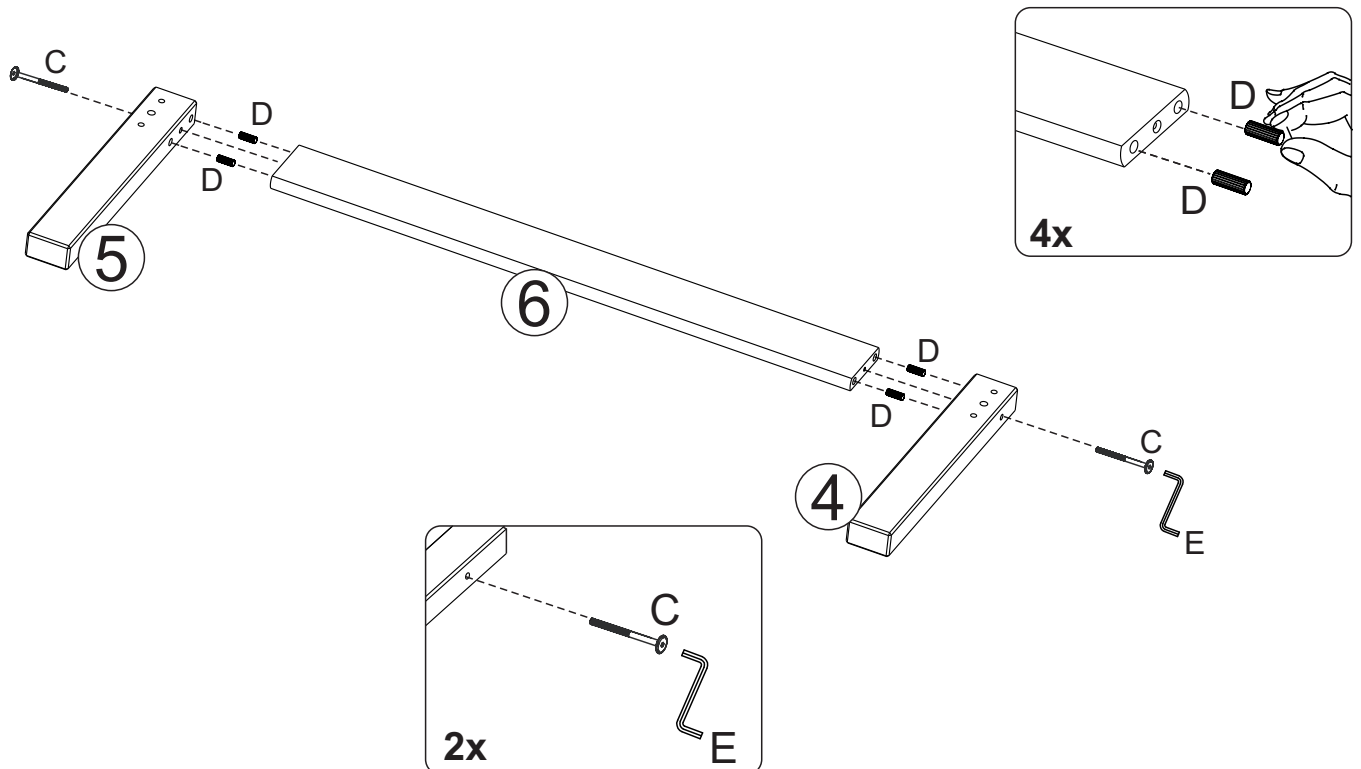
Parts List				Hardware List (found in box 1)		
Part	Description	Box	Qty	Part	Description	Qty
1	Headboard foot	1	1	A	1/4" x 80 mm Bolt 	8
2	Headboard foot	1	1	B	Elliptical Nut 	8
3	Headboard	1	1	C	7 x 100 mm Bolt 	6
4	Foot end	1	1	D	10 x 40 mm Wooden Dowel 	12
5	Foot end	1	1	E	Allen Key 	1
6	Rail	1	1	F	Spacer Block 96 mm 	2
7	Side rail	2	2	G	4.0 x 30 Screw 	24
8	Slats	1	12			



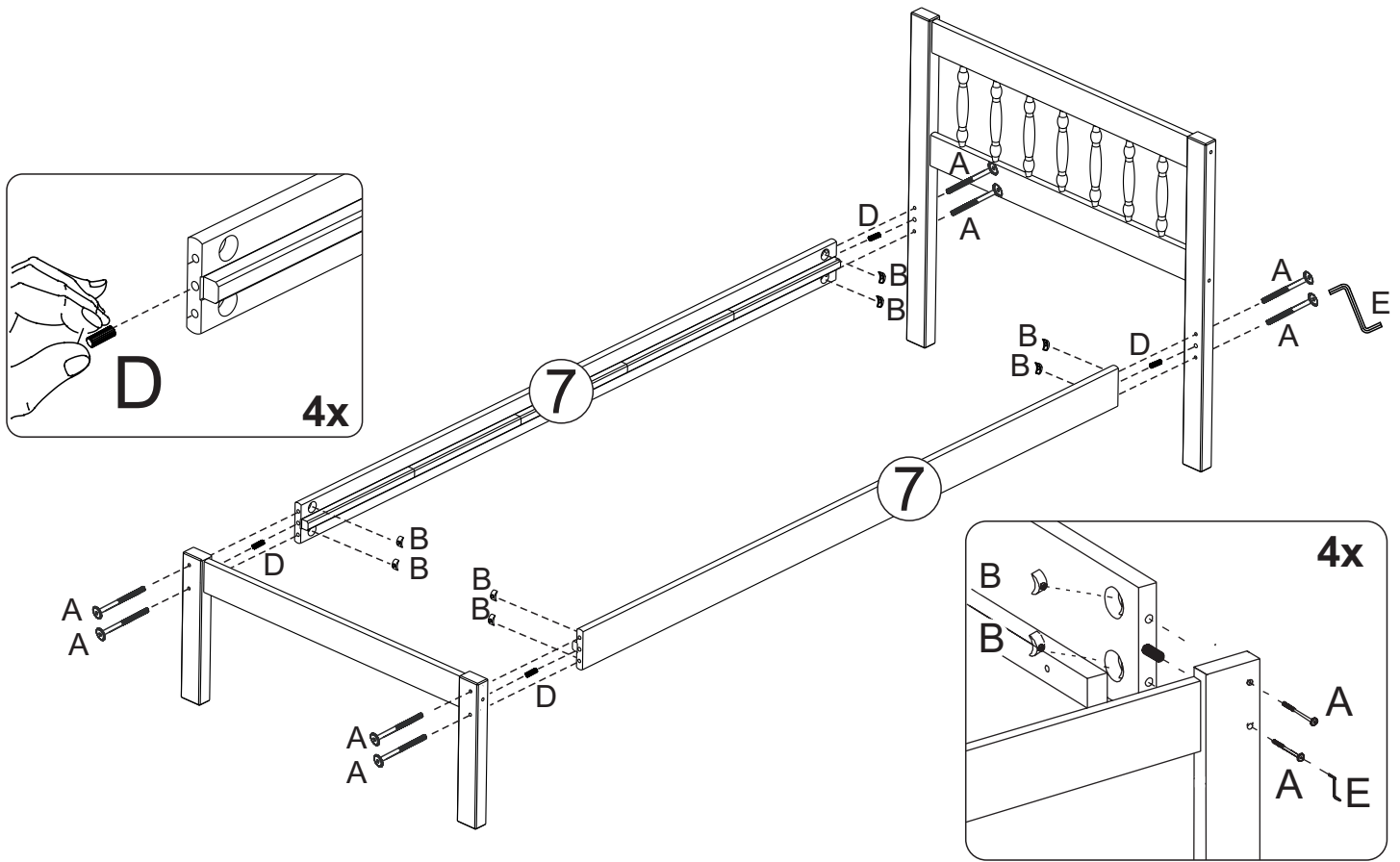
Step 1: Insert the wooden dowels (D) into the headboard (3), then set up the legs (1) and (2) in the headboard (3) setting the parts with the bolts (C) with the allen key (E).



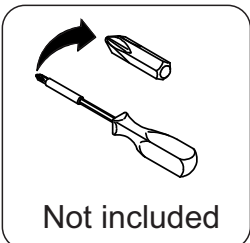
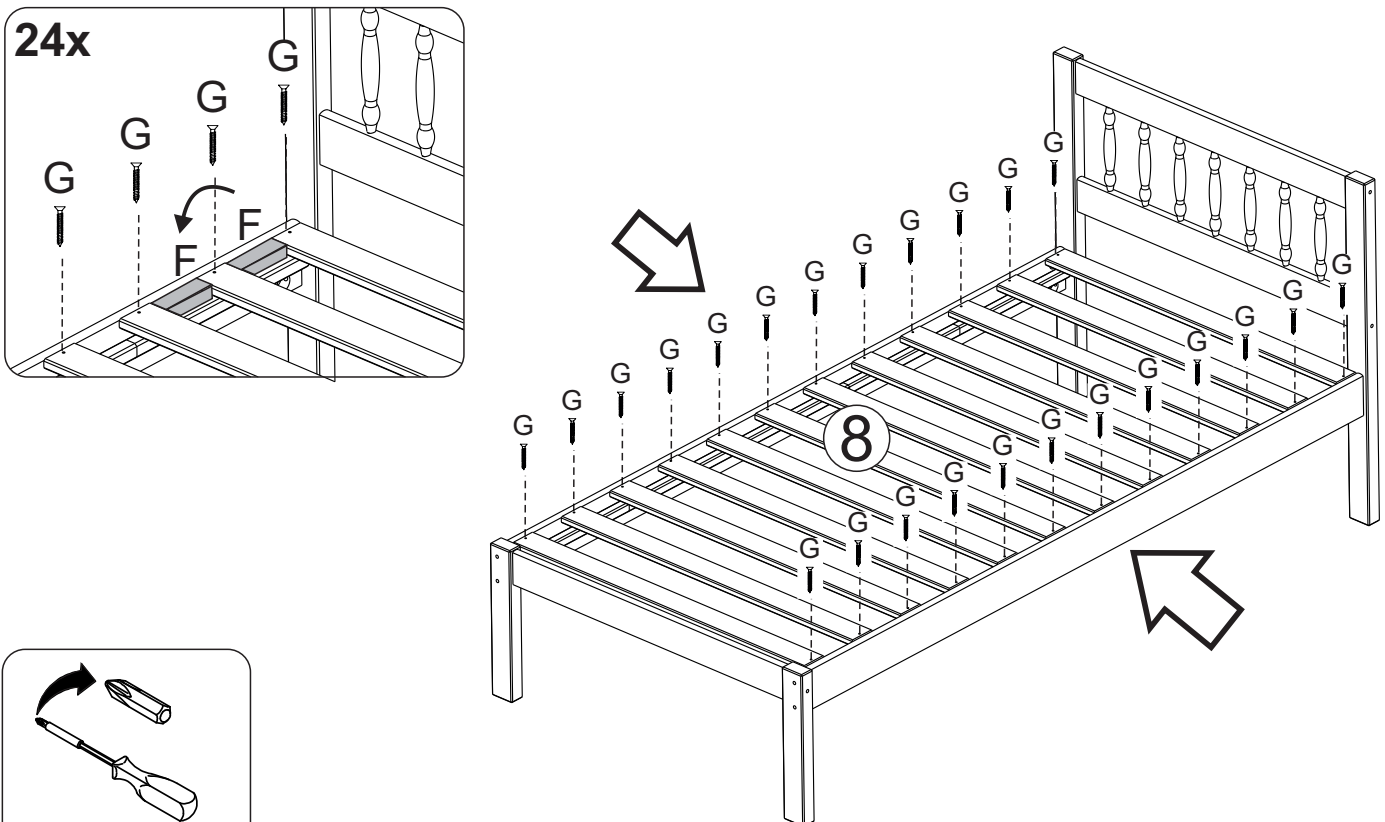
Step 2: Insert the wooden dowels (D) into the rail (6), then set up the legs (4) and (5) in the rail (6) setting the parts with the bolts (C) with the allen key (E).

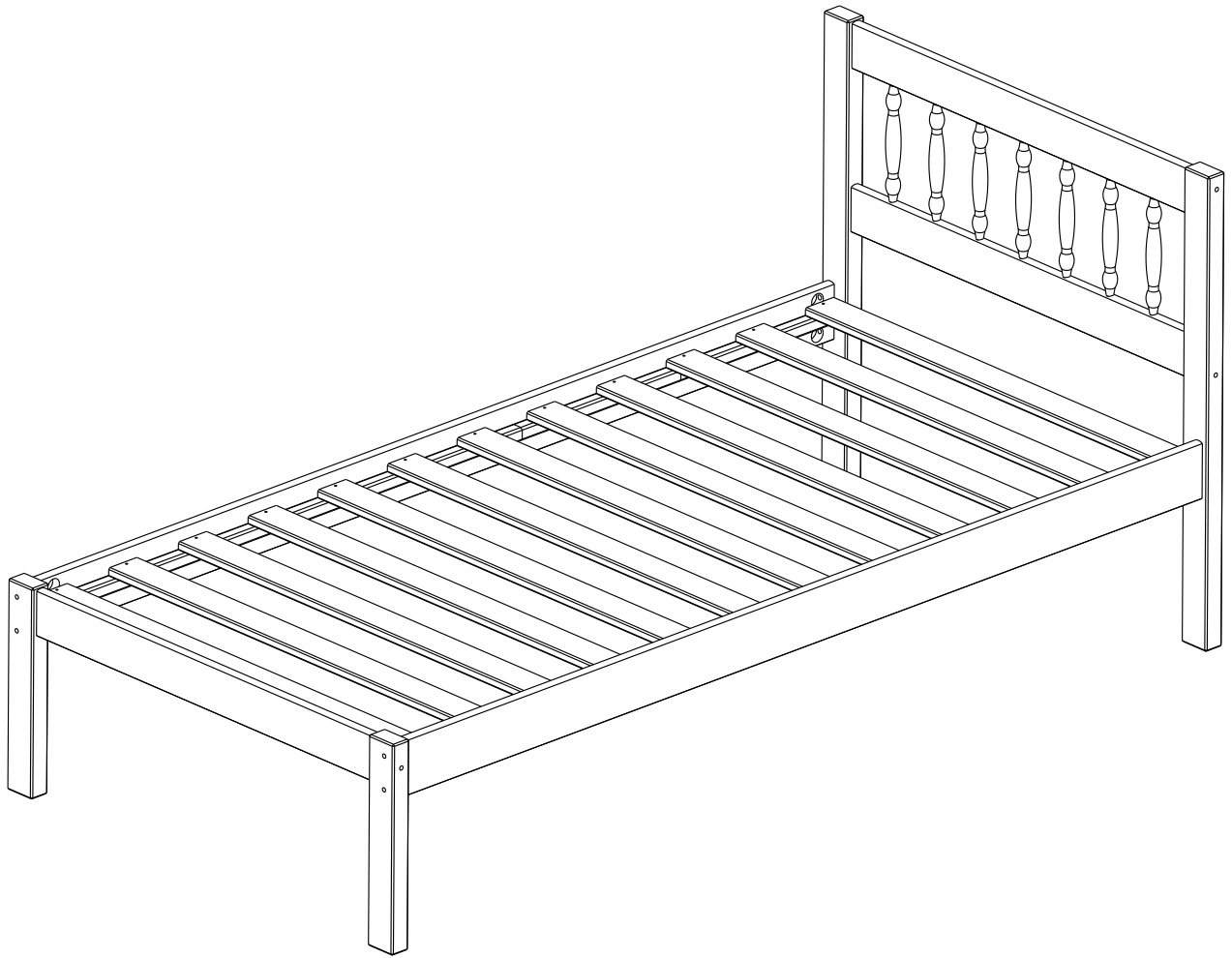


Step 3: Put the wooden dowels (D) in the side rails (7), then set up the footend and the headboard in the siderails (7) setting them with the bolt (A) and the Elliptical nut (B) with the allen key (E).



Step 4: Put the slats (8) distancing each other with the Spacer block (F) attach the slats with the screws (G) using a Philips screwdriver (Not provided).





Please dispose of all packaging safely.

General Care & Maintenance

Wipe clean with a slightly damp cloth.
Avoid the use of all household cleaners and abrasives.

Periodically check all screw & fixings to ensure they are secure.
When moving your product, carefully lift into place. Never drag or push the pieces across the floor as this will cause damage to the joints and could result in failure to the product that will invalidate the warranty.

For more information on cleaning and product care visit:
<https://www.happybeds.co.uk/help-and-advice>

Notes

We've tried to make this product as easy to assemble as possible. In the unlikely event that you have problems putting it together or have damaged or missing pieces, please contact us by visiting:

<https://www.happybeds.co.uk/customer-service>



www.happybeds.co.uk

