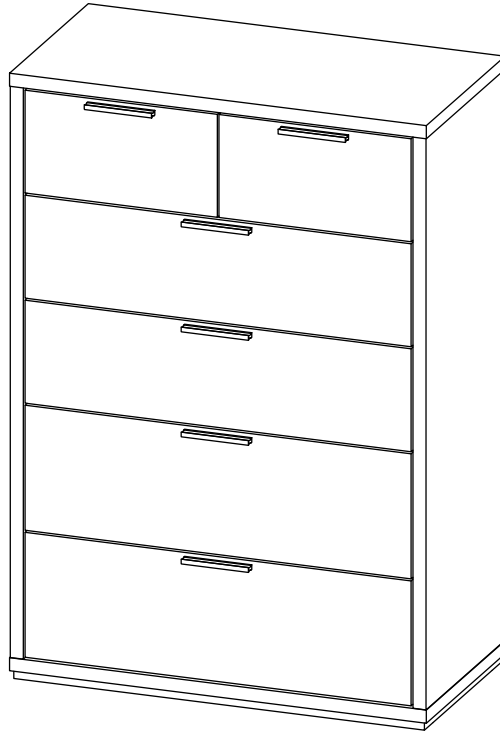




Assembly Instructions

Stockwell 4 + 2 Drawer Chest



Important before assembly:

Read these instructions carefully before assembling or using the product.

Please check the contents of the boxes before attempting to assemble this product. The instructions will have a checklist of parts and fittings.

It would be sensible to lay a rug or a carpet on the floor where you intend to assemble the product, to void scratches and damaging the product or the floor.

Assemble the product as close to its intended final location/room as possible.

Do NOT use any power tools as this may damage the frame.

Health & Safety:

This product or some parts of this product will be heavy. Please use an assistant when lifting.

DO NOT jump on the product or any of its parts.

DO NOT use this product if any parts are missing, damaged or worn.

DO NOT use this product unless all fixings are secured.

Please keep small parts out of reach of children.

Always use on a level, even surface.

Please keep these instructions for future reference.



(Not metal)

These tools are not necessary, but may help to assemble certain parts of the product.

Do NOT use any power tools as this may damage the frame.



This product or some parts of this product will be heavy. Please use an assistant when lifting.

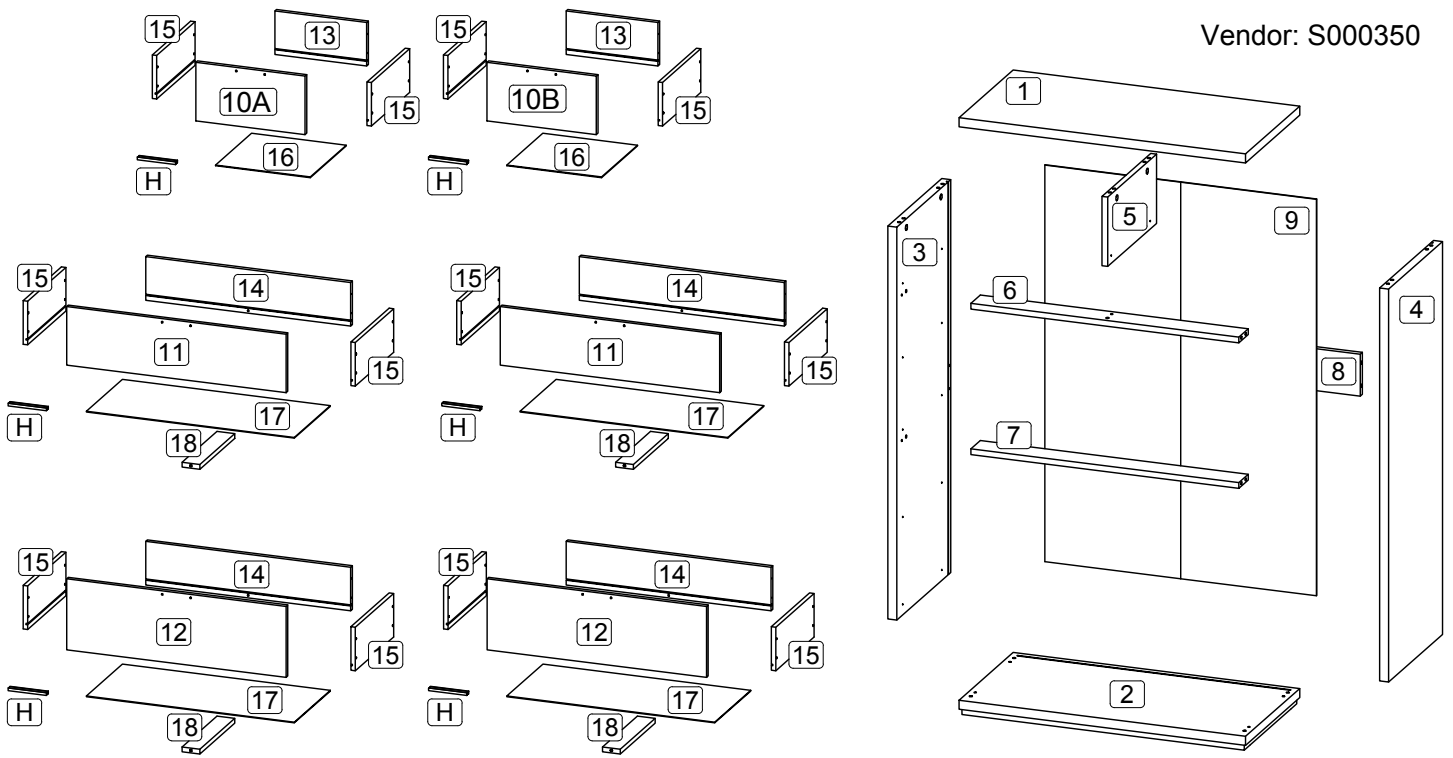


Never drag or push the pieces across a hard or stone floor as this will cause damage to the joints. Use a carpet or a rug for extra care.



If you have problems assembling or have damaged or missing pieces, please contact us by visiting:

<https://www.happybeds.co.uk/customer-service>



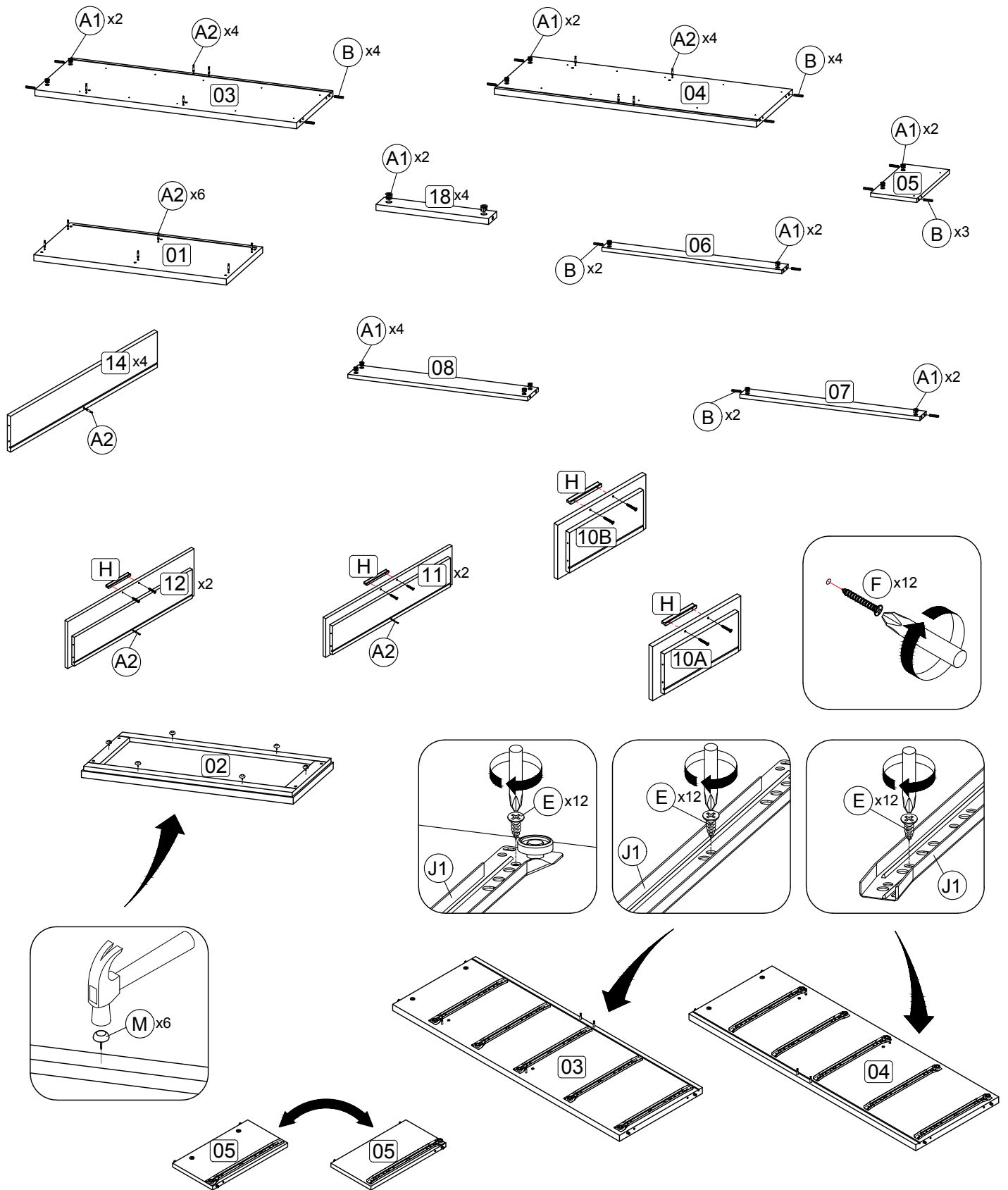
Parts List				Hardware List (BOX 2)			
Part	Description	Box	Qty	Part	Description		Qty
01	Top panel	1	1	A1	Cam lock		24
02	Bottom panel	2	1	A2	Minifix screw		24
03	Side panel (Left)	1	1	A3	Plastic cap		24
04	Side panel (Right)	2	1	B	M8 x 30mm Wood Dowel		17
05	Center panel	1	1	C	M6 x 60mm CSK Cap Wood screw		5
06	Middle bone (Up)	2	1	D	Allen key M4		1
07	Middle bone (Down)	2	1	E	M3.5 x 16mm C.B Screw		74
08	Back bone	2	1	F	M4 x 25mm C.B Screw		12
09	Back panel	1	1	G	M4 x 38mm C.B Screw		48
10A	Drawer front (Small Left)	1	1	H	PCV Handle 7050.96		6
10B	Drawer front (Small Right)	1	1	I1	Stud 192		8
11	Drawer front (Up)	1	2	I2	Stud 192 screw		8
12	Drawer front (Down)	1	2	J1	14" Drawer slide (Left / Right)		12
13	Drawer back (Small)	1	2	J2	14" Drawer slide (Left / Right)		12
14	Drawer back	2	4	K	8" x 1" PP tape		2
15	Drawer side	1	2	L	Wall plug		-
		2	10	M	5/8 PCV Nail Leg		6
16	Drawer bottom (Small)	1	2				
17	Drawer bottom	1	4				
18	Drawer bone	1	4				

** You will need a small mallet and a screwdriver for assembly.

** Some screws and wooden dowel may remain.

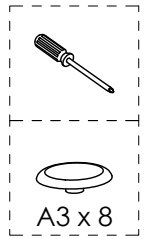
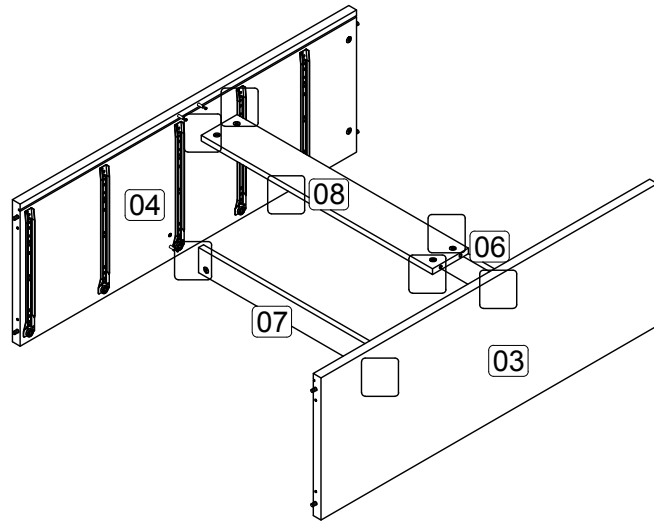
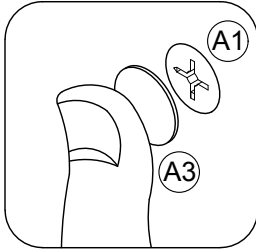
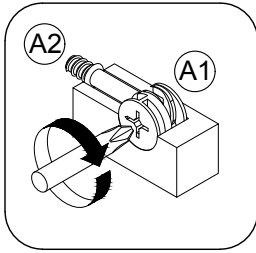
** Note : To secure the item to the wall, hardware G (2 pcs) and L (2 pcs) are not provided.

Step 1: Prepare these parts for assembly using hardware parts A1, A2, B, D, E, F, H, J1 and M.
DO NOT use any power tools as this may damage the frame and will invalidate any claim.



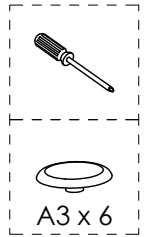
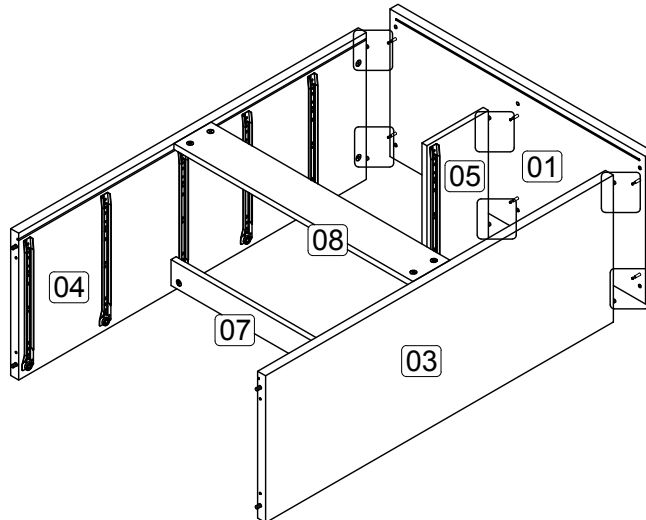
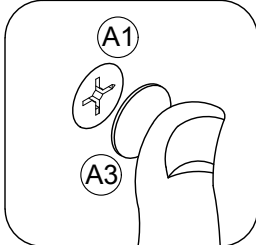
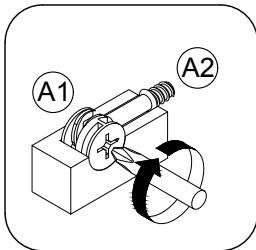
Step 2: Attach panel (6), (7) and (8) to panel (3) and (4) using hardware A1 and A2 with a screwdriver (not provided).

DO NOT use any power tools as this may damage the frame and will invalidate any claim.



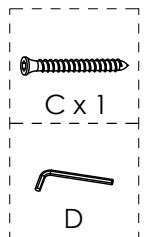
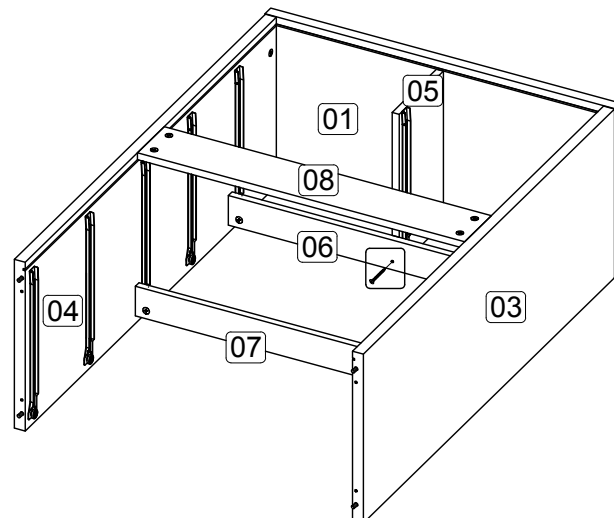
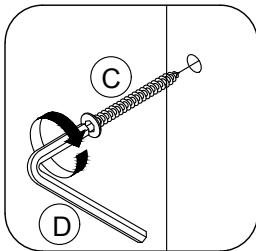
Step 3: Attach panel (3), (4) and (5) to panel (1) using hardware A1 and A2 with a screwdriver (not provided).

DO NOT use any power tools as this may damage the frame and will invalidate any claim.



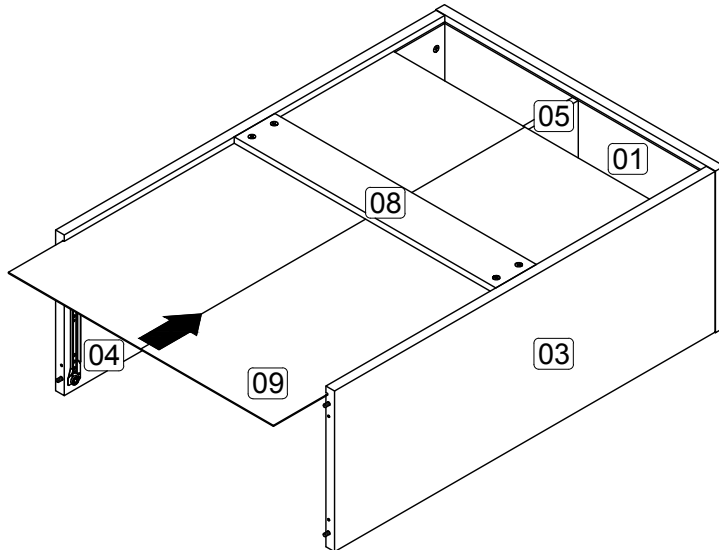
Step 4: Attach panel (6) to panel (5) using hardware C and D.

DO NOT use any power tools as this may damage the frame and will invalidate any claim.



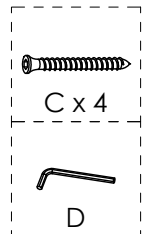
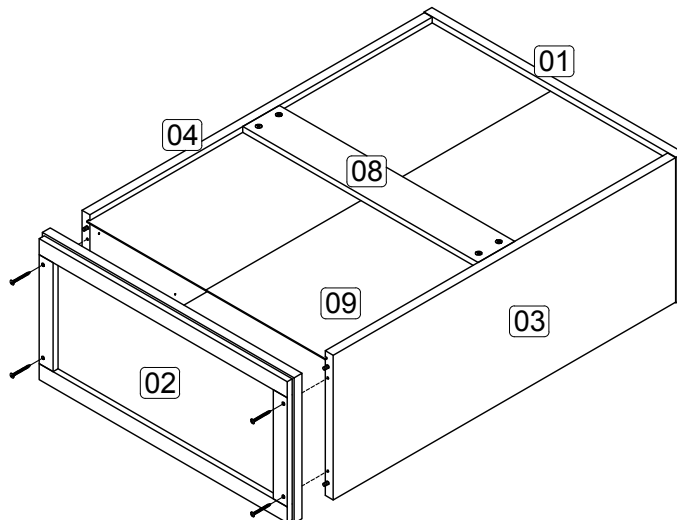
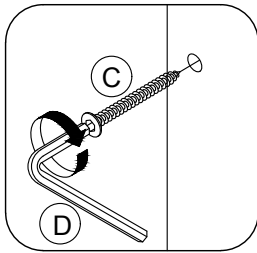
Step 5: Insert panel (9) along the slot.

DO NOT use any power tools as this may damage the frame and will invalidate any claim.



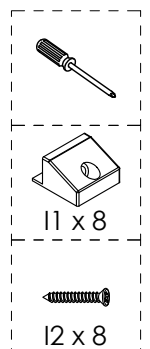
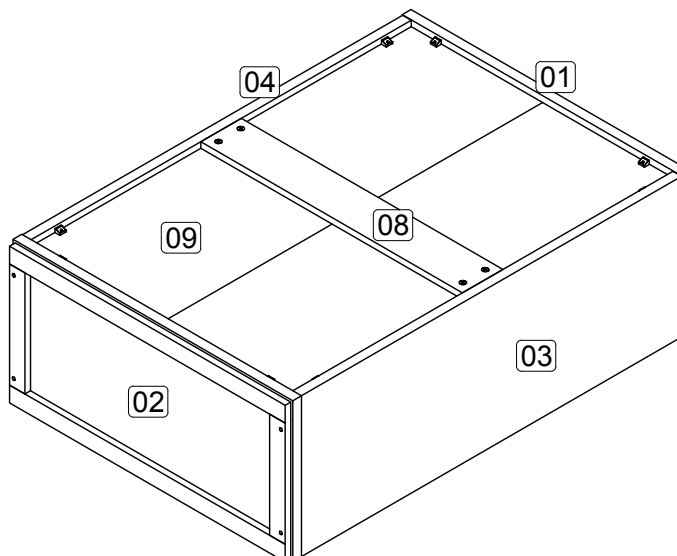
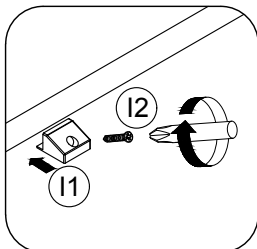
Step 6: Attach panel (2) to panel (3) and (4) using hardware C and D.

DO NOT use any power tools as this may damage the frame and will invalidate any claim.



Step 7: Attach hardware I1 into panel (1), (2), (3) and (4) using hardware I2 with a screwdriver (not provided).

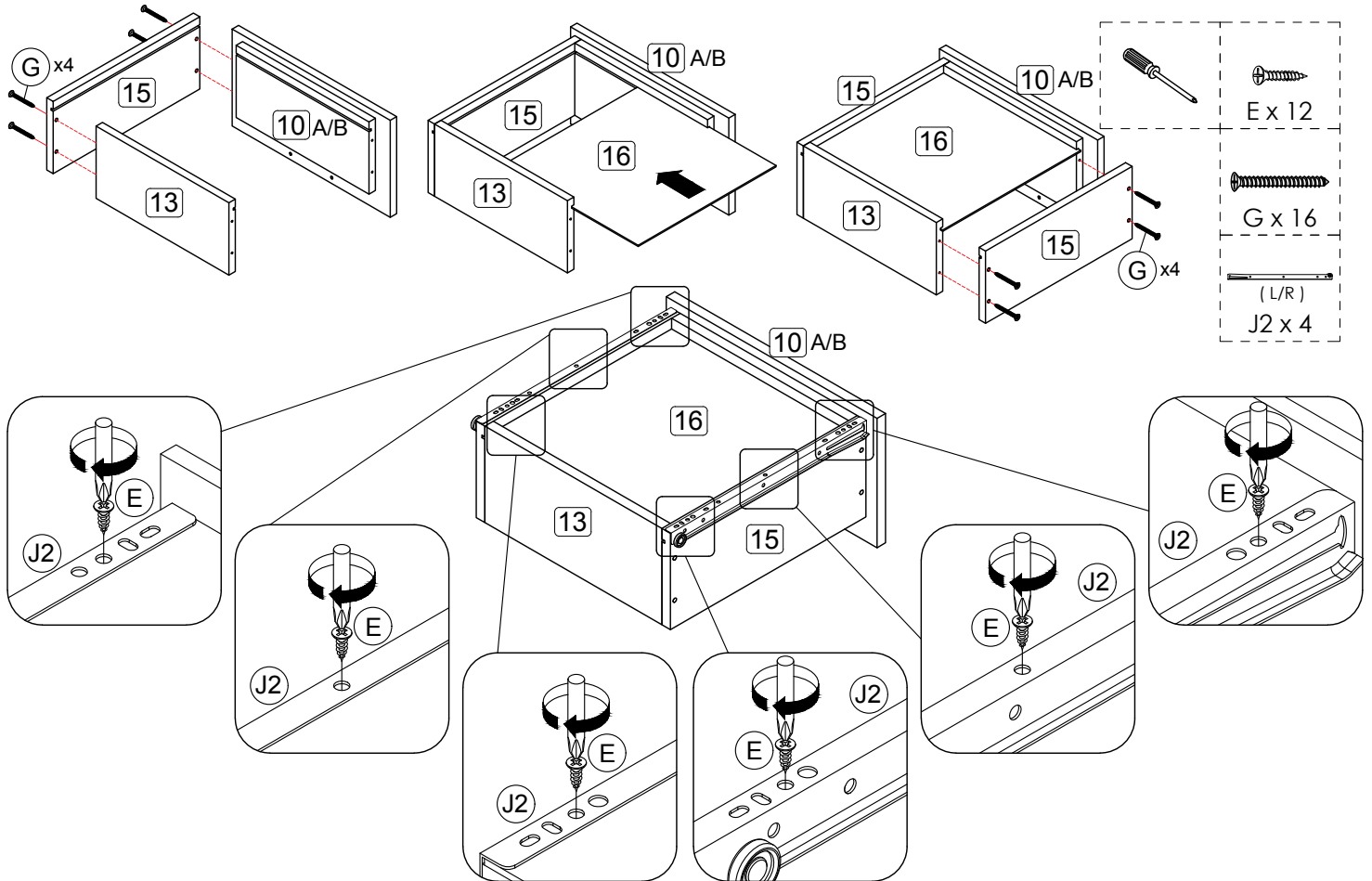
DO NOT use any power tools as this may damage the frame and will invalidate any claim.



Step 8: Assemble the drawer components using hardware E, G and J2.

In this step only show one of the drawers.

DO NOT use any power tools as this may damage the frame and will invalidate any claim.

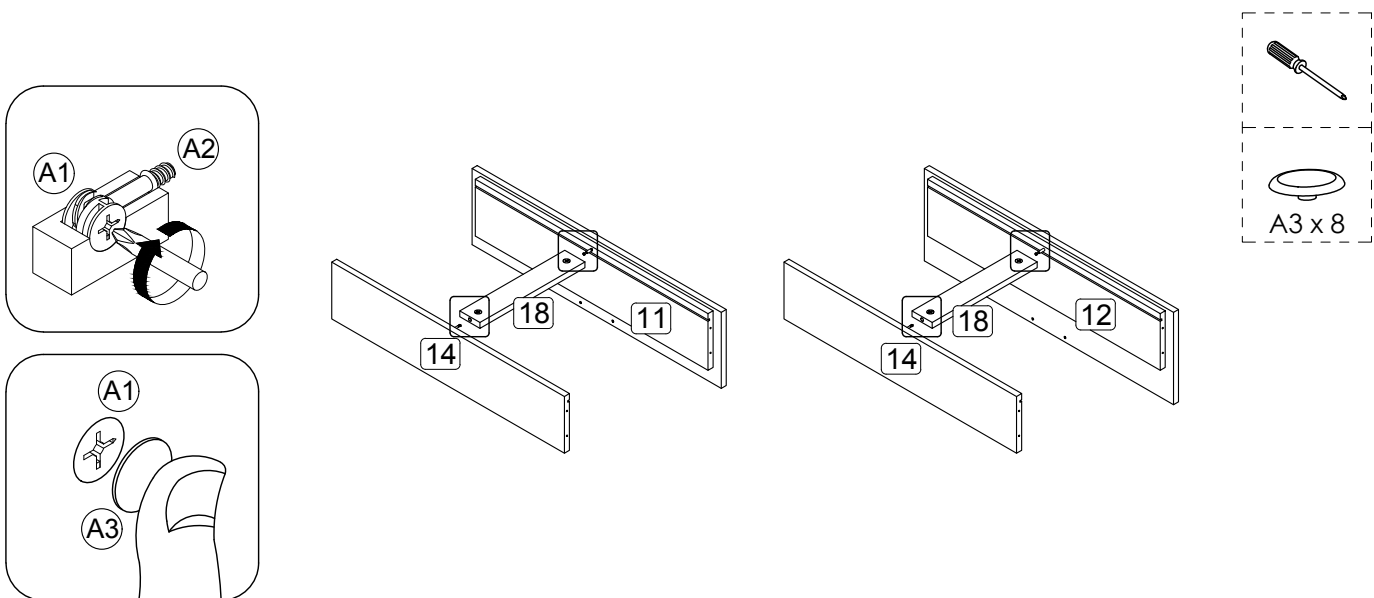


Step 9: Attach panel (18) to panel (11) and (14) and another panel (18) to panel (12) and (14)

using hardware A1 and A2 with a screwdriver (not provided).

In this step only show one of the drawers.

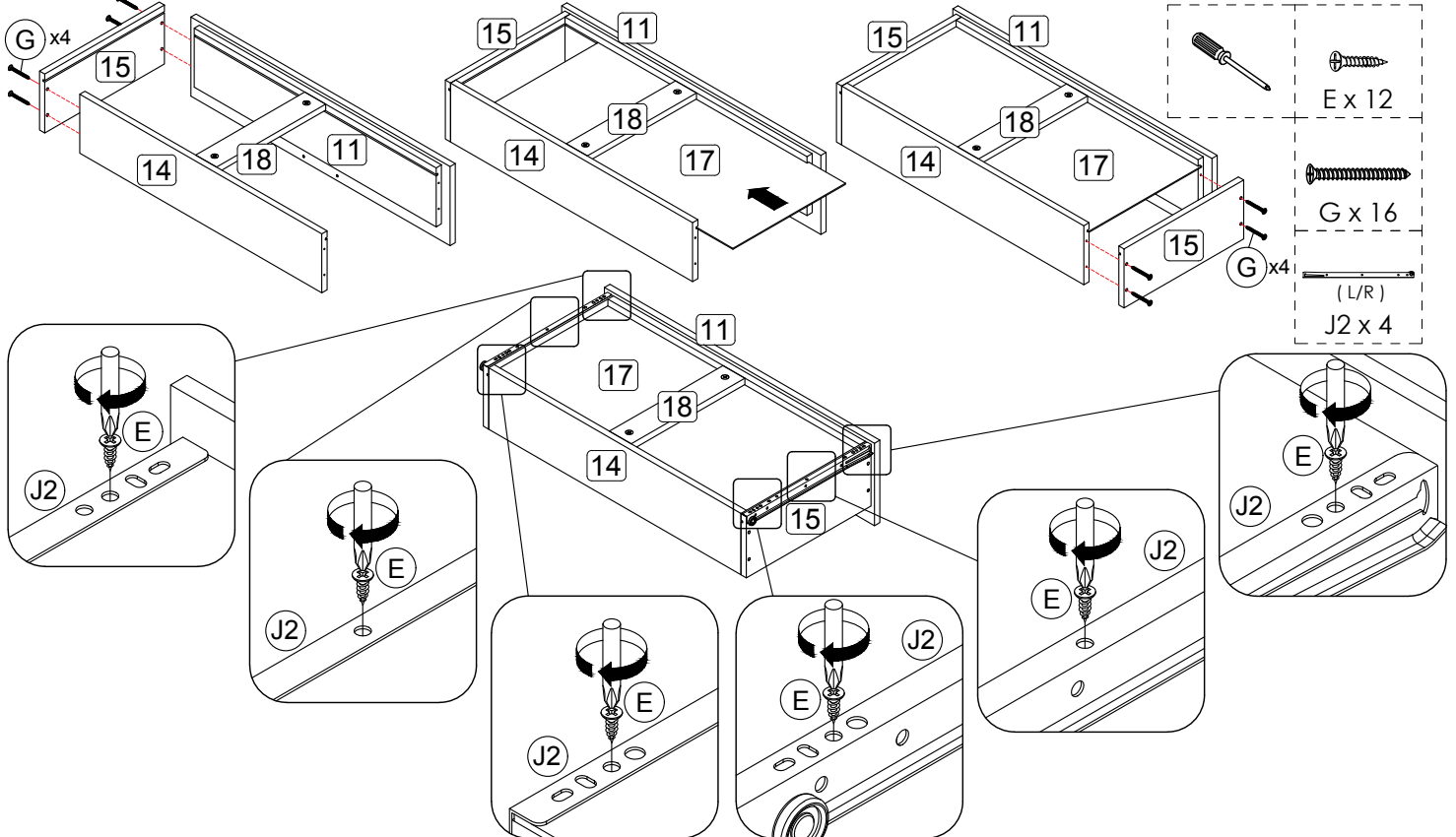
DO NOT use any power tools as this may damage the frame and will invalidate any claim.



Step 10: Assemble the drawer components using hardware E, G and J2.

In this step only show one of the drawers.

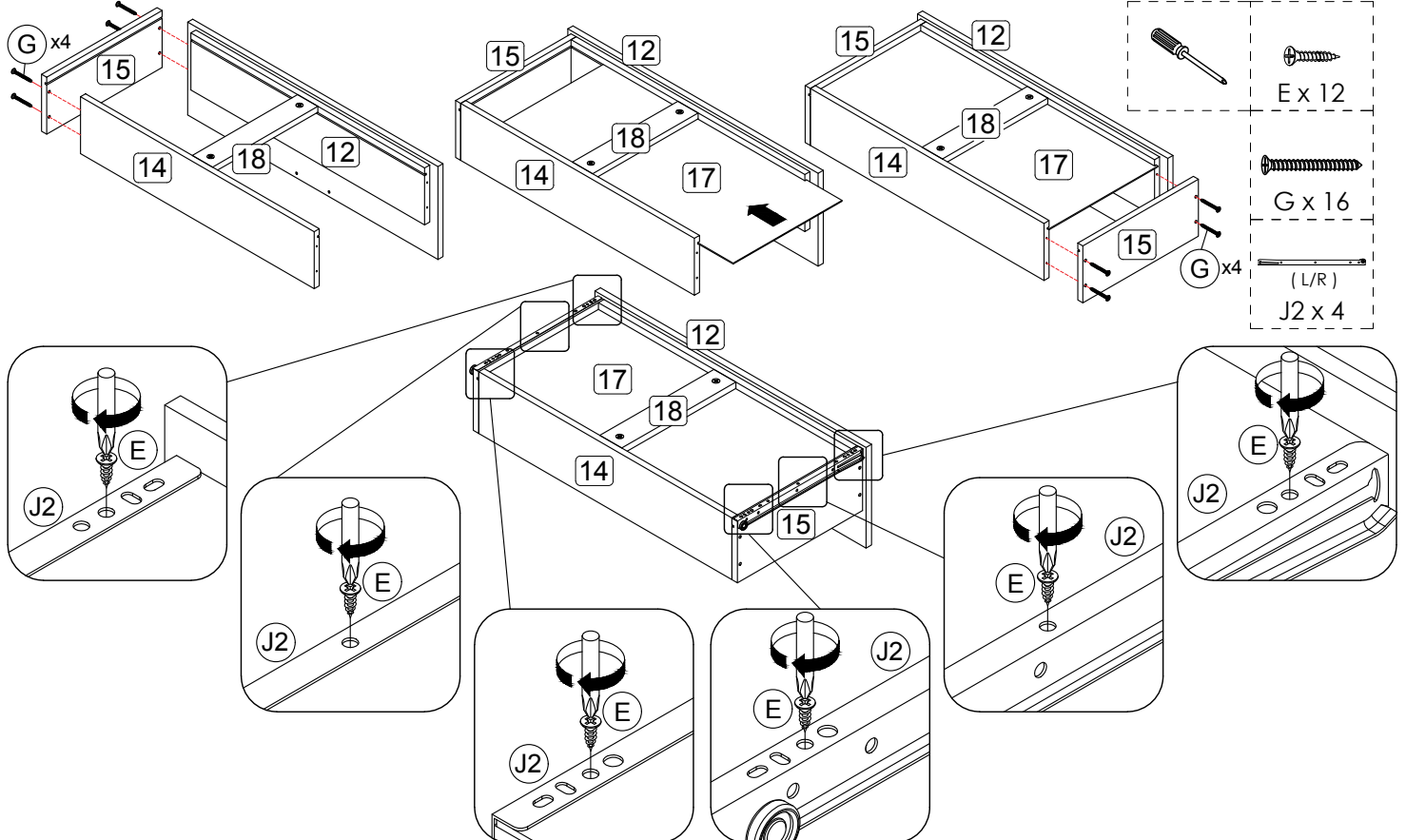
DO NOT use any power tools as this may damage the frame and will invalidate any claim.



Step 11: Assemble the drawer components using hardware E, G and J2.

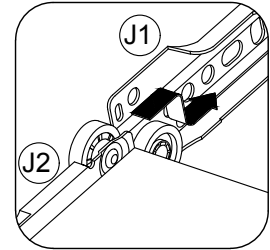
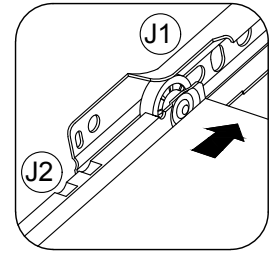
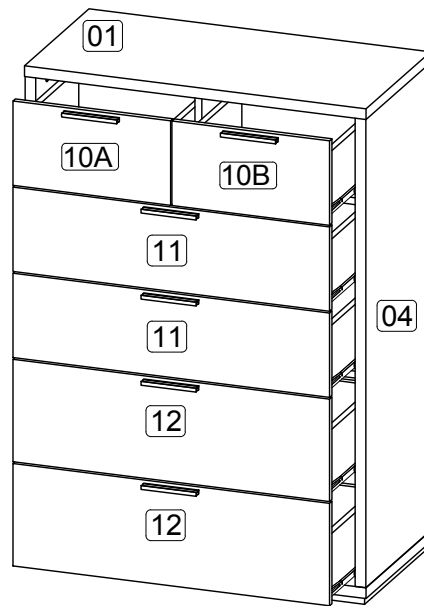
In this step only show one of the drawers.

DO NOT use any power tools as this may damage the frame and will invalidate any claim.



Step 12: Assemble the drawer in place along the drawer slides.

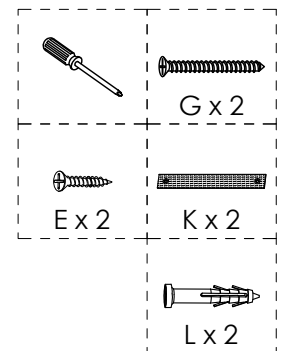
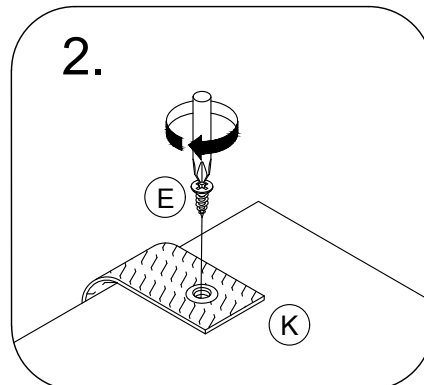
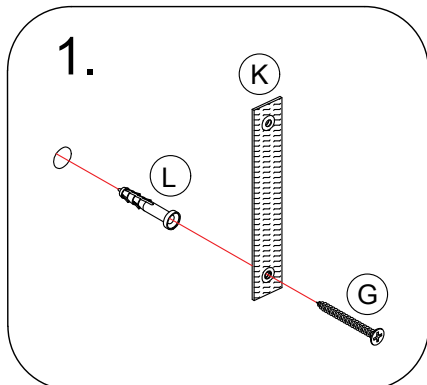
DO NOT use any power tools as this may damage the frame and will invalidate any claim.



Step 13: To secure the item to the wall use hardware G, K and L using a screwdriver (not provided).

Then attach hardware part K to the panel (1) using hardware E with a screwdriver (not provided).

DO NOT use any power tools as this may damage the frame and will invalidate any claim.



PLEASE NOTE that wall fixings are not supplied as different wall materials require different fixing devices. You must use fixings devices suitable for the type of wall you intend to mount product to. Ensure the head of any screw used has a diameter greater than the mounting hole and the fixing is safe and secure before use.

Please dispose of all packaging safely.

General Care & Maintenance

Wipe clean with a slightly damp cloth.
Avoid the use of all household cleaners and abrasives.

Periodically check all screw & fixings to ensure they are secure.
When moving your product, carefully lift into place. Never drag or push the pieces across the floor as this will cause damage to the joints and could result in failure to the product that will invalidate the warranty.

For more information on cleaning and product care visit:
<https://www.happybeds.co.uk/help-and-advice>

Notes

We've tried to make this product as easy to assemble as possible. In the unlikely event that you have problems putting it together or have damaged or missing pieces, please contact us by visiting:

<https://www.happybeds.co.uk/customer-service>



www.happybeds.co.uk

