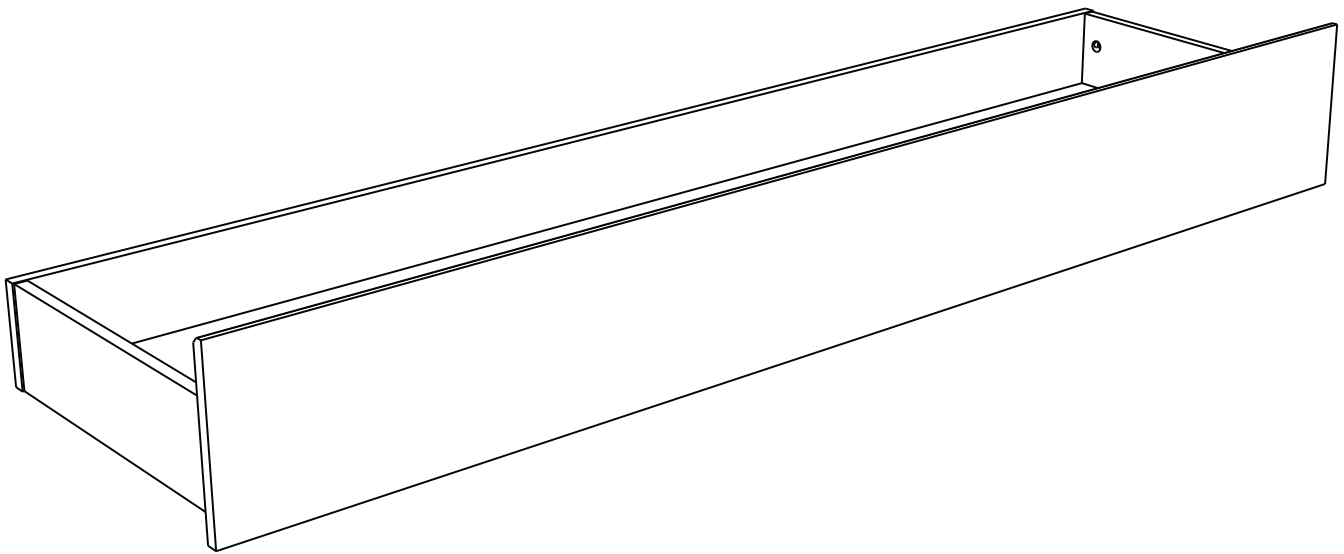




## Assembly Instructions

# Tam Tam Wooden Underbed Storage Drawer



### Important before assembly:

Read these instructions carefully before assembling or using the product.

Please check the contents of the boxes before attempting to assemble this product. The instructions will have a checklist of parts and fittings.

It would be sensible to lay a rug or a carpet on the floor where you intend to assemble the product, to void scratches and damaging the product or the floor.

Assemble the product as close to its intended final location/room as possible.

Do NOT use any power tools as this may damage the frame.

### Health & Safety:

This product or some parts of this product will be heavy. Please use an assistant when lifting.

DO NOT jump on the product or any of its parts.

DO NOT use this product if any parts are missing, damaged or worn.

DO NOT use this product unless all fixings are secured.

Please keep small parts out of reach of children.

Always use on a level, even surface.

Please keep these instructions for future reference.



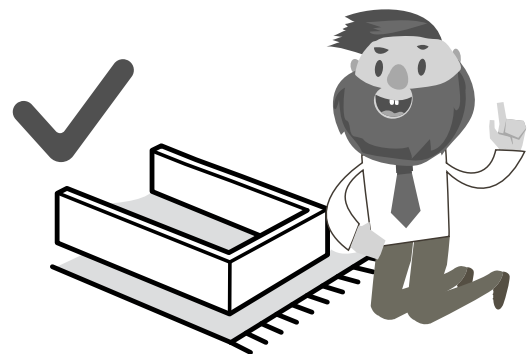
(Not metal)

These tools are not necessary, but may help to assemble certain parts of the product.

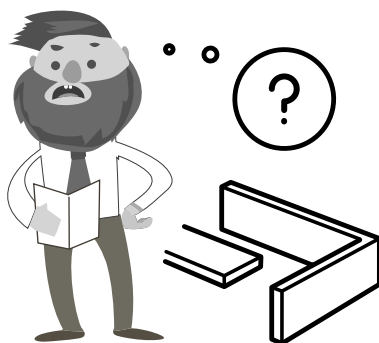
Do NOT use any power tools as this may damage the frame.



This product or some parts of this product will be heavy. Please use an assistant when lifting.



Never drag or push the pieces across a hard or stone floor as this will cause damage to the joints. Use a carpet or a rug for extra care.



If you have problems assembling or have damaged or missing pieces, please contact us by visiting:

<https://www.happybeds.co.uk/customer-service>



## **Important for High Sleepers, Bunk Beds and Children's Beds**

### **Warning:**

High sleepers and the upper tier of bunk beds are not suitable for children under 6 years of age due to risk of injury from falls.

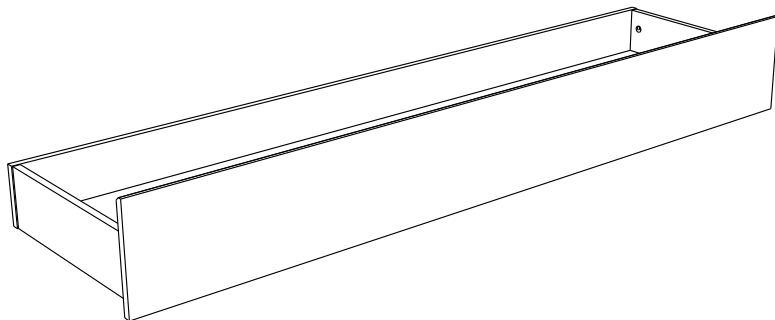
High Sleepers and Bunk Beds present a risk of injury from strangulation if used incorrectly. Never attach or hang anything on any part of the bed that is not designed to be used with the bed, for example, but not limited to ropes, strings, cords, hooks, belts and bags.

Children can become trapped between the bed and the wall, a roof pitch, the ceiling and other pieces of furniture (e.g. wardrobes). To avoid risk of serious injury, the distance between the top safety barrier and any adjoining structure shall not exceed 75mm or shall be more than 230mm.

Maximum thickness of a mattress on the top tier is 18cm. Please refer to the label or marking on the headboard.

This bed has been tested by an independent laboratory and is in compliance with BS EN 747-1 : 2012+A1:2015 - Standard Consumer Safety specification for bunk beds & high sleepers.

# 2319TIRO



## FR Remerciements :

Nous vous remercions d'avoir choisi un meuble créé et fabriqué par le Groupe Parisot et espérons qu'il vous donnera entière satisfaction.

## EN Thanks:

Thank you for choosing furniture designed and manufactured by the Parisot Group. We hope you are totally satisfied with your purchase.

## DE Danksagung:

Wir danken Ihnen für den Kauf eines Frankreich von der Parisot-Gruppe entworfenen und hergestellten Möbelstücks und hoffen, dass Sie es zu Ihrer vollkommenen Zufriedenheit finden werden.

## ES Agradecimientos:

Les damos las gracias por haber elegido un mueble diseñado y fabricado por el Groupe Parisot y esperamos que sea de su total agrado.

## PT Agradecimentos:

Obrigado por ter escolhido um móvel concebido e fabricado pelo Grupo Parisot, esperando que seja do seu inteiro agrado.

## IT Ringraziamenti:

Grazie per avere scelto un mobile progettato e fabbricato dal Gruppo Parisot. Speriamo soddisfatti appieno le vostre esigenze.

## NL Bedankje:

Wij bedanken u voor de aankoop van een door de Groep Parisot ontworpen en vervaardigd meubel en hopen dat u er veel plezier aan zult beleven.

## CZ Poděkování:

Děkujeme, že jste si vybrali nábytek navržený a vyrobený společností Parisot Group. Doufáme, že budete svým nákupem naprosto spokojeni.

## HU Köszönet.

Köszönjük, hogy a Parisot Groupe által létrehozott és gyártott bútort választott, reméljük, hogy elégedett lesz a termékkel.

## PL Podziękowania:

Dziękujemy za wybór mebli stworzonych i wyprodukowanych przez Grupę Parisot. Mamy nadzieję, że będziecie Państwo w pełni zadowoleni z zakupu.

## RO Mulțumiri:

Vă mulțumim că ați ales un articol de mobilier conceput și fabricat de Grupul Parisot și sperăm că veți fi pe deplin satisfăcuți de acesta.

## RU Благодарность:

Мы благодарим вас за то, что вы выбрали мебель, созданную и произведенную Групп Паризо, и надеемся, что вы будете полностью удовлетворены нашей продукцией.

## SK Pod'akovanie:

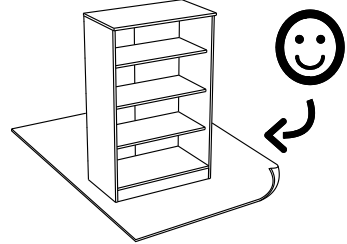
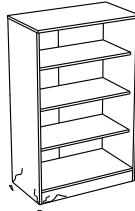
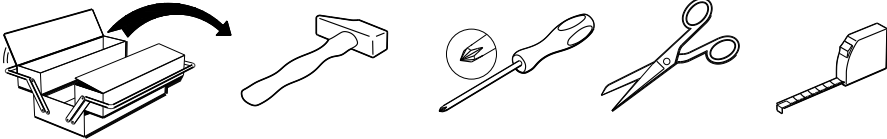
Ďakujeme, že ste si vybrali nábytok navrhnutý a vyrobený spoločnosťou Parisot Group. Dúfame, že budete svojim nákupom absolútne spokojní.

## TR Teşekkür ederiz:

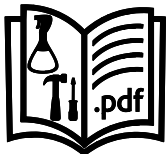
Parisot Group tarafından tasarlanan ve üretilen bu mobilyayı seçtiğiniz için teşekkür ederiz. Ürünümüzden memnun kalmanızı ümit ederiz.

## AR : شكر

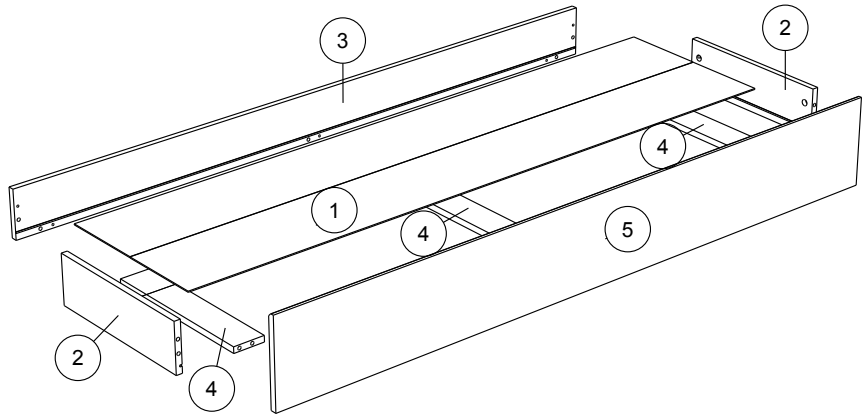
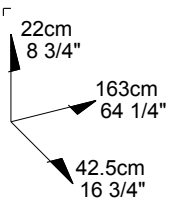
نشكركم لاختياركم هذه القطعة من الأثاث من تصميم وتصنيع مجموعة باريسو Parisot ونتمنى أن تنال رضائكم.



[contact@parisot.com](mailto:contact@parisot.com)

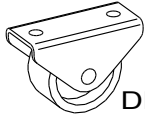


[www.parisot.com](http://www.parisot.com)



		mm			inch		
④	x 3	394	77	15	15 1/2	3	9/16
②	x 2	394	120	15	15 1/2	4 3/4	9/16
③	x 1	1614	121	15	63 9/16	4 3/4	9/16
⑤	x 1	1630	214	15	64 3/16	8 7/16	9/16
①	x 1	1592	404	3	62 11/16	15 7/8	1/8

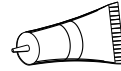
Caractéristiques produit :  
 Structure en panneau de particules  
 revêtu papier décor gris loft  
 Façade en panneau de particules  
 Revêtu papier décor gris loft  
 Chant mélamine gris loft  
 A monter soi-même



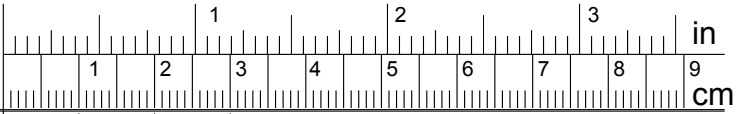
DM x 6



Ai x 10



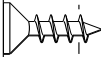
CF x 1



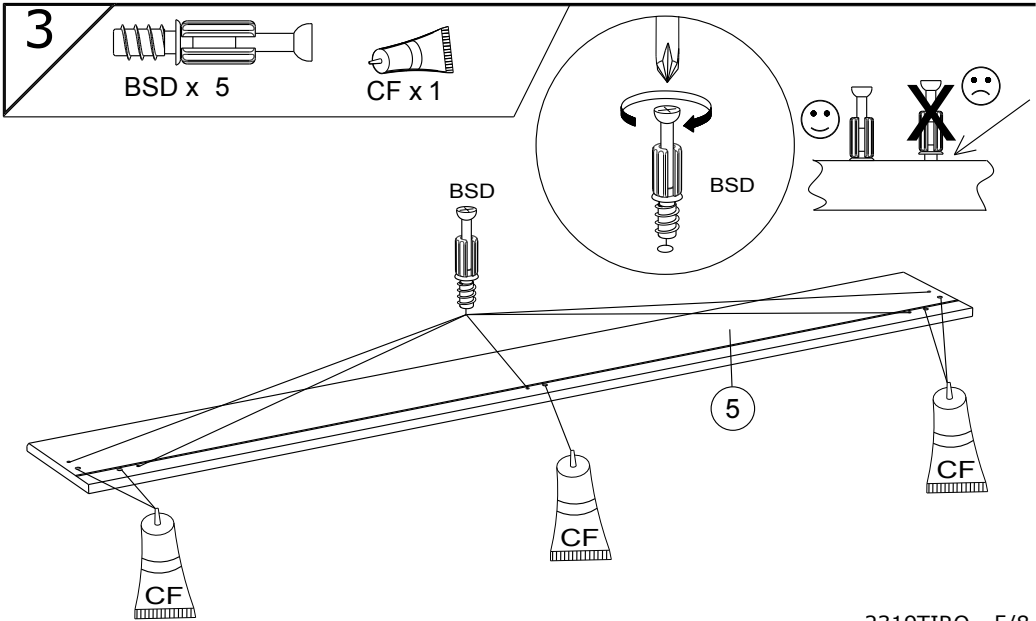
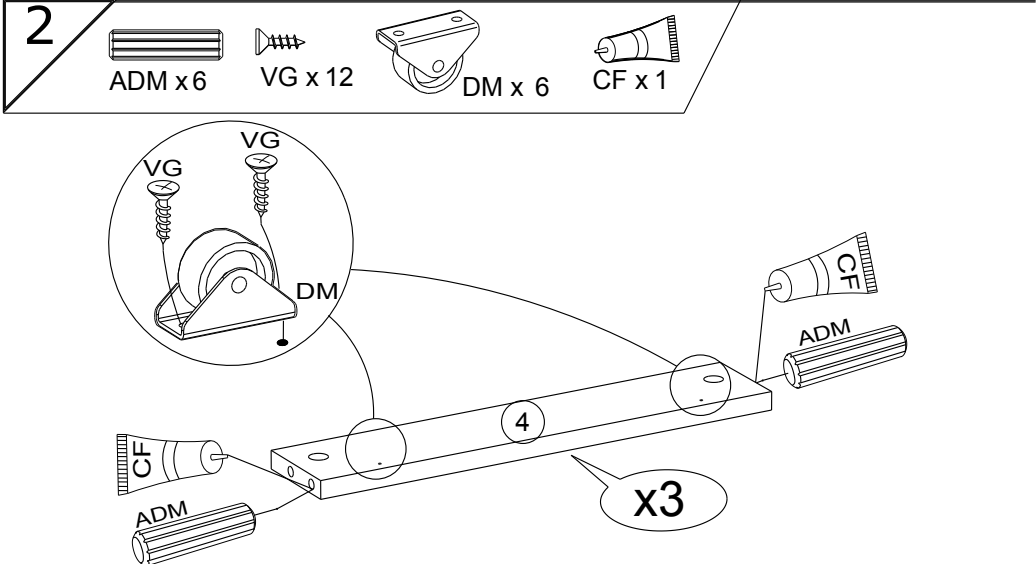
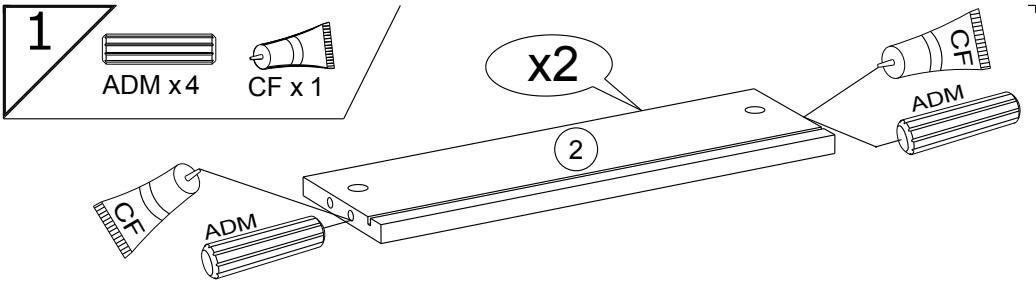
ADM x 10



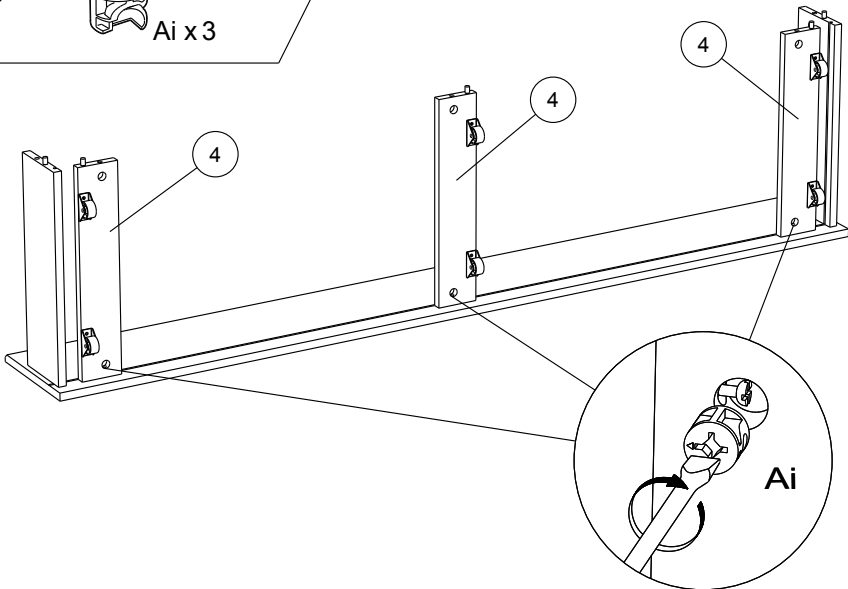
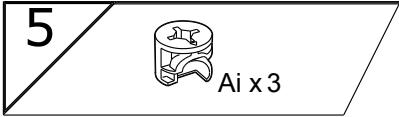
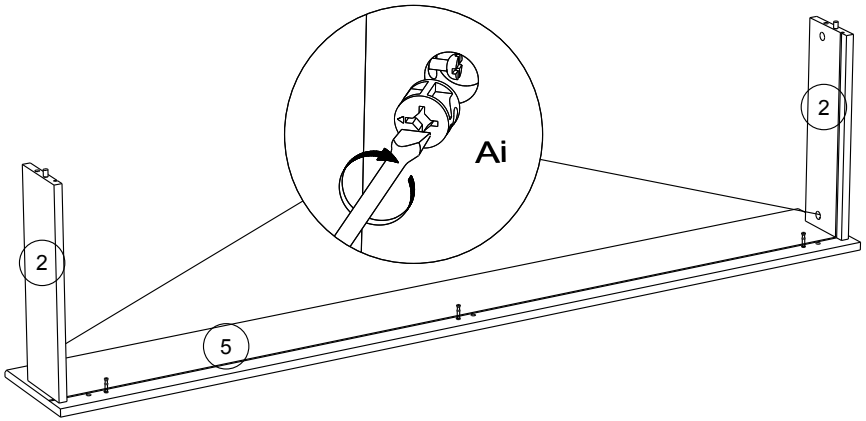
BSD x 10



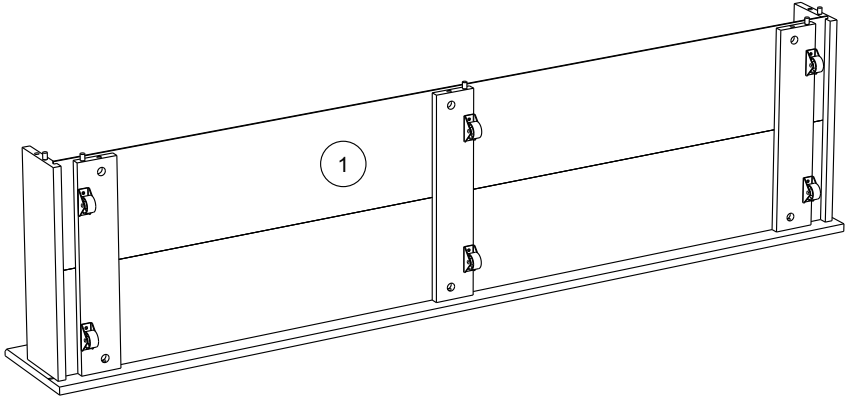
VG x 12







6

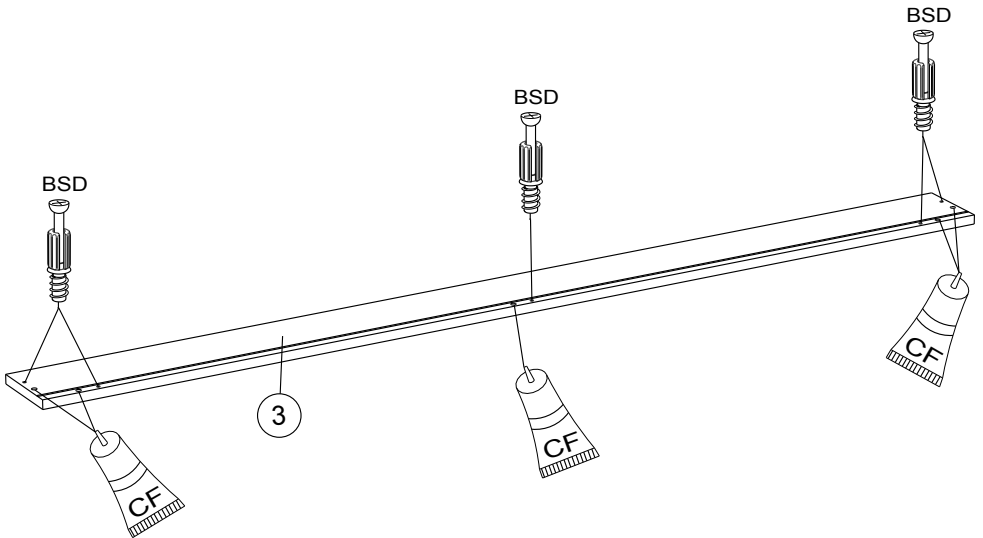


7

BSD x 5

CF x 1

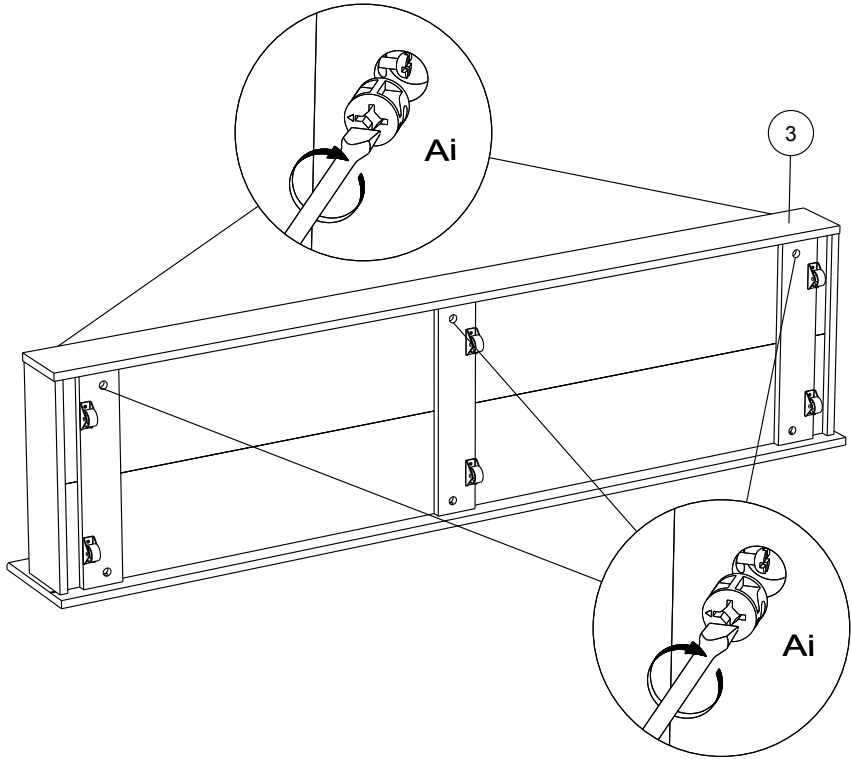
This section shows the hardware required for step 7. On the left is a BSD screw, which has a hexagonal head and a threaded shaft. On the right is a CF tube, which is a hollow cylindrical component with a flared end. The labels 'BSD x 5' and 'CF x 1' indicate the quantity of each part.



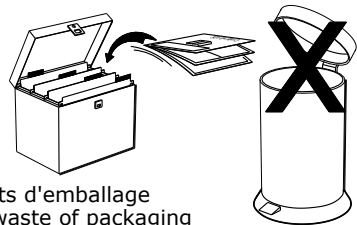
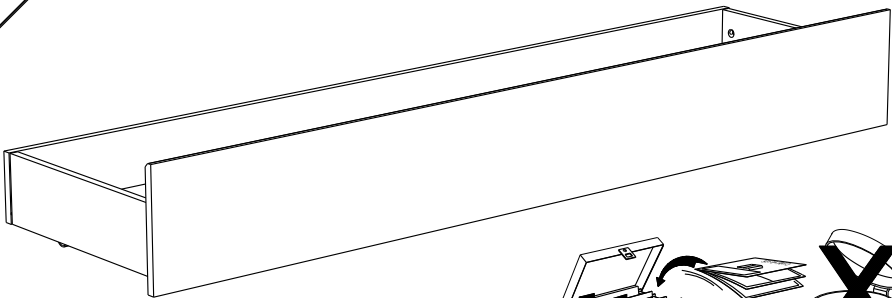
8



Ai x5



9



Faites un geste pour l'environnement en triant vos déchets d'emballage  
 Make a gesture for the environment by sorting out your waste of packaging  
 Machen Sie eine Bewegung für die Umwelt, ihre Verpackungsabfälle sortierend  
 Haga un gesto para el medio ambiente escogiendo sus residuos de embalaje

Please dispose of all packaging safely.

## General Care & Maintenance

Wipe clean with a slightly damp cloth.  
Avoid the use of all household cleaners and abrasives.

Periodically check all screw & fixings to ensure they are secure.  
When moving your product, carefully lift into place. Never drag or push the pieces across the floor as this will cause damage to the joints and could result in failure to the product that will invalidate the warranty.

For more information on cleaning and product care visit:  
<https://www.happybeds.co.uk/help-and-advice>

## Notes

We've tried to make this product as easy to assemble as possible. In the unlikely event that you have problems putting it together or have damaged or missing pieces, please contact us by visiting:

<https://www.happybeds.co.uk/customer-service>



[www.happybeds.co.uk](http://www.happybeds.co.uk)

