



ASSEMBLY INSTRUCTIONS
TORONTO BED

IMPORTANT: READ THESE INSTRUCTIONS CAREFULLY BEFORE ASSEMBLING OR USING YOUR TORONTO BED FRAME.

PLEASE KEEP THESE INSTRUCTIONS FOR FUTURE REFERENCE.

HEALTH & SAFETY:

DO NOT jump on this bed frame.

DO NOT use this bed frame if any parts are missing, damaged or worn.

DO NOT use this bed frame unless all fixings are secured.

Please keep small parts out of reach of children.

Always use on a level, even surface.

WARNING: If this bed is placed on a non-carpeted floor you must place some protection under all legs to stop the bed frame from moving. If this is not adhered to there is no guarantee if the bed frame collapses.

CARE & MAINTENANCE:

Assemble in the room of use.

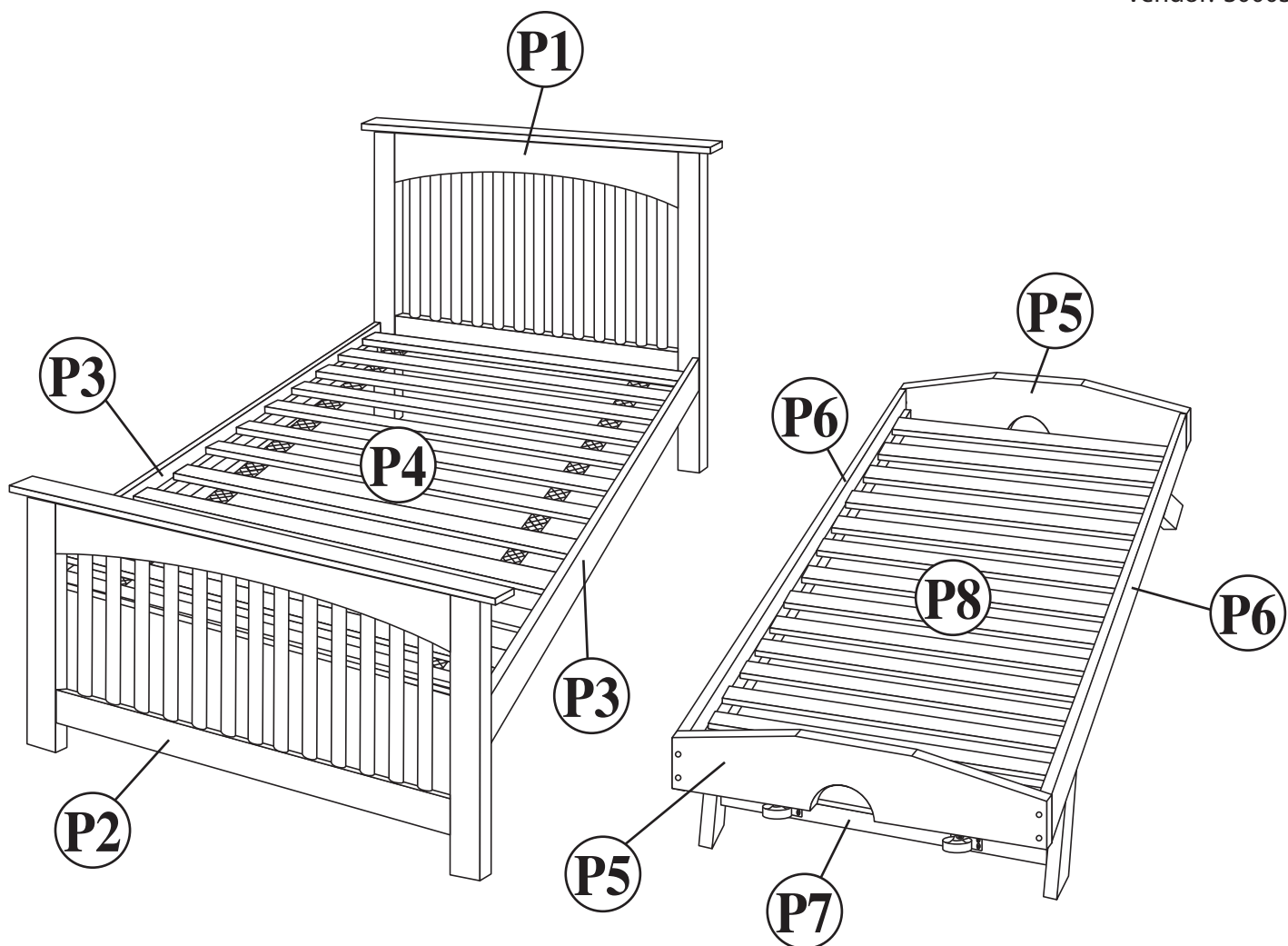
Periodically check all screws & fixings to ensure they are secure.


DO NOT push the bed frame as this will damage the legs.

Always lift the bed with two people to reposition.

Keep any sharp objects away from the frame.

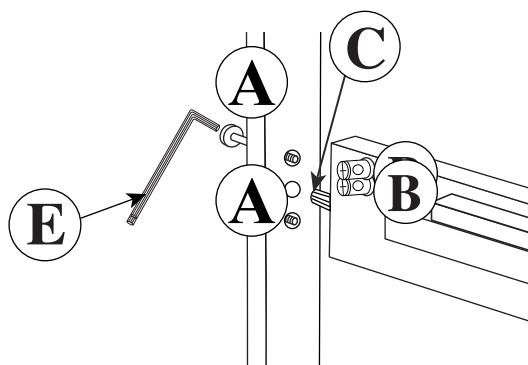




Parts List				Hardware List (found in box 1)			
Part	Description	Box	Qty	Part	Description		Qty
Bed							
P1	Headboard	1	1	A	M6 x 60 mm JCBC		8
P2	Footboard	1	1	B	Barrel Nut		8
P3	Side Rail	2	2	C	Ø8 x 35mm WOOD DOWEL		4
P4	Slat	3	14	D	M4 x 25 mm CSK Screw		8
				E	M4 Allen Key		1

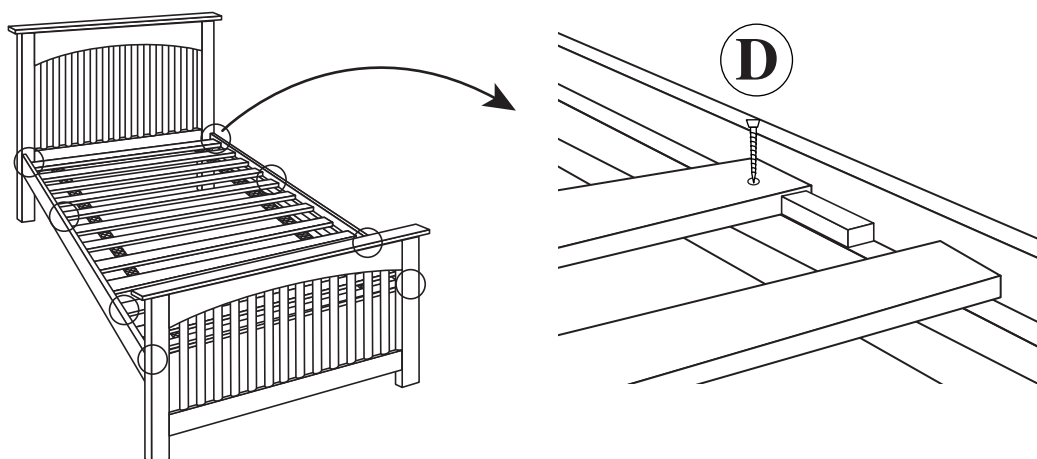
Parts List				Hardware List (found in box 4)			
Part	Description	Box	Qty	Part	Description		Qty
Trundle							
P5	Trundle Endboard	4	2	F	M6 x 50 mm JCBC		8
P6	Trundle Side Rail	4	2	G	M6 x 60 mm JCBC		4
P7	Trundle Leg Bar	4	2	H	Barrel Nut		12
P8	Trundle Slat	5	14	I	Ø8 x 35mm WOOD DOWEL		12
**You will need a screwdriver (not provided)				J	M4 Allen Key		1
				K	M4 x 25 mm CSK Screw		8

Step 1: Attach the side rail (P3) to the headboard (P1) and footboard (P2) using hardware parts A, B, C and E.
DO NOT use any power tools as this may damage the frame and will invalidate any claim.

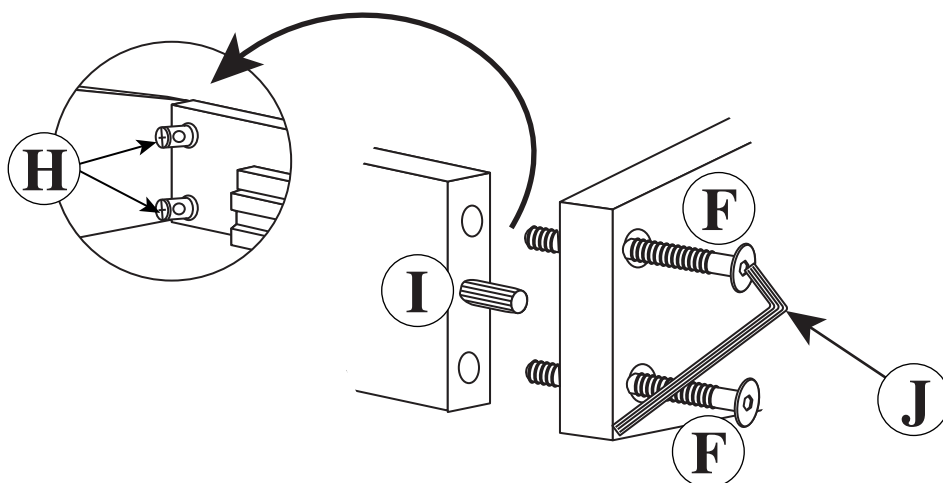


Step 2: Lay the slats (P4) between the side rail (P3) using hardware part D and fully tighten using a screwdriver (not provided).

DO NOT use any power tools as this may damage the frame and will invalidate any claim.



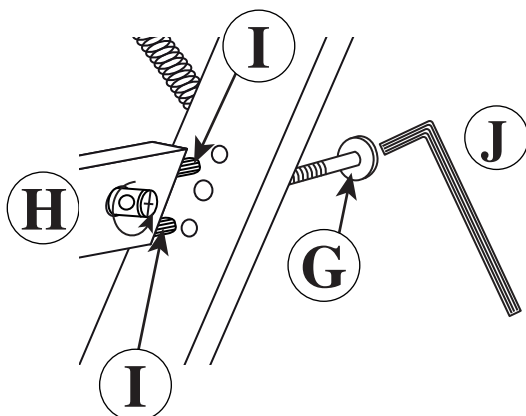
Step 3: Attach the trundle endboard (P5) to the trundle side rail (P6) using hardware parts F, H, I and J.
DO NOT use any power tools as this may damage the frame and will invalidate any claim.



Step 4: Attach the trundle leg bar (P7) to the trundle side rail (P6) using hardware parts G, H, I and J.

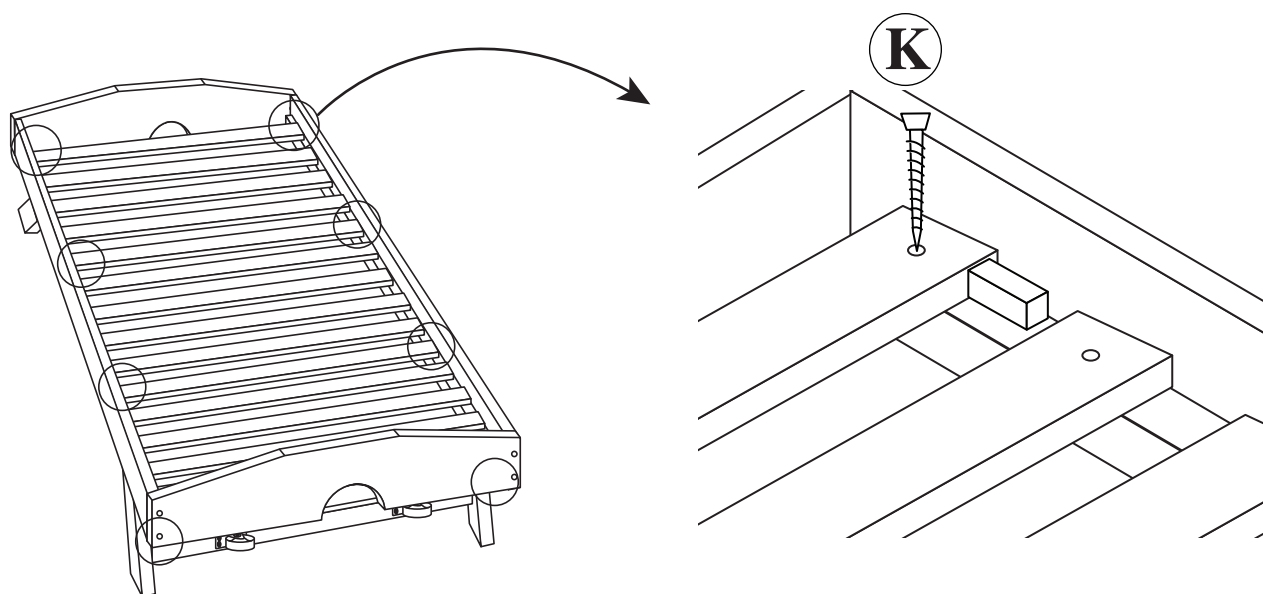
CAUTION: When the leg ties are cut, the legs spring back.

DO NOT use any power tools as this may damage the frame and will invalidate any claim.



Step 5: Lay the trundle slat (P8) between the trundle side rail (P6) using hardware part K and fully tighten using a screwdriver (not provided).

DO NOT use any power tools as this may damage the frame and will invalidate any claim.



Additional Information:

- For complete product information, images and dimension diagrams please visit the website www.birlea.com
- If you have any issues with your item please contact the retailer directly you purchased it from who will be able to resolve any issues with Birlea.
- Why don't you send us photos of your assembled furniture to info@birlea.com to be shared in our #birleahome feature on Instagram.