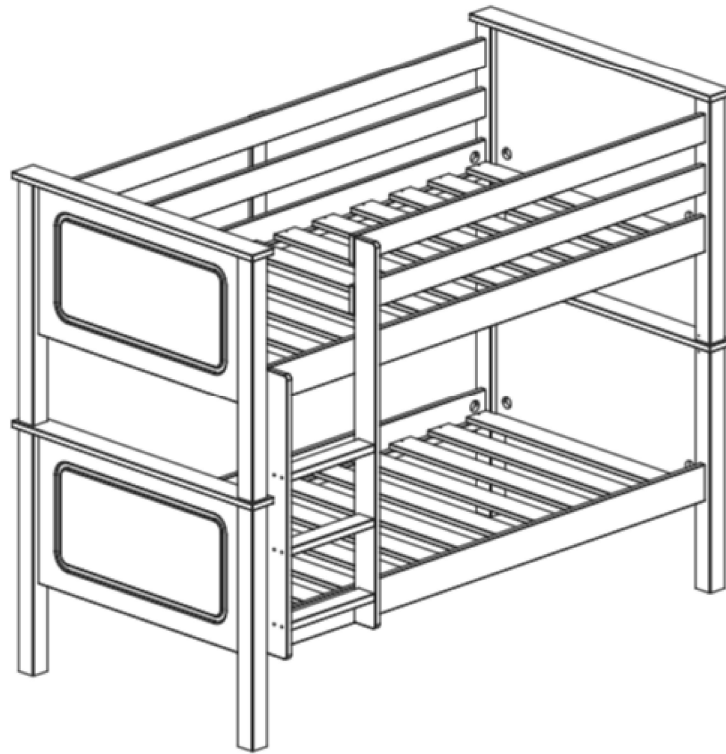




## Assembly Instructions

# Vancouver Bunk Bed



### **Important before assembly:**

Read these instructions carefully before assembling or using the product.

Please check the contents of the boxes before attempting to assemble this product. The instructions will have a checklist of parts and fittings.

It would be sensible to lay a rug or a carpet on the floor where you intend to assemble the product, to void scratches and damaging the product or the floor.

Assemble the product as close to its intended final location/room as possible.

Do NOT use any power tools as this may damage the frame.

### **Health & Safety:**

This product or some parts of this product will be heavy. Please use an assistant when lifting.

DO NOT jump on the product or any of its parts.

DO NOT use this product if any parts are missing, damaged or worn.

DO NOT use this product unless all fixings are secured.

Please keep small parts out of reach of children.

Always use on a level, even surface.

Please keep these instructions for future reference.



## **Important for High Sleepers, Bunk Beds and Children's Beds**

### **Warning:**

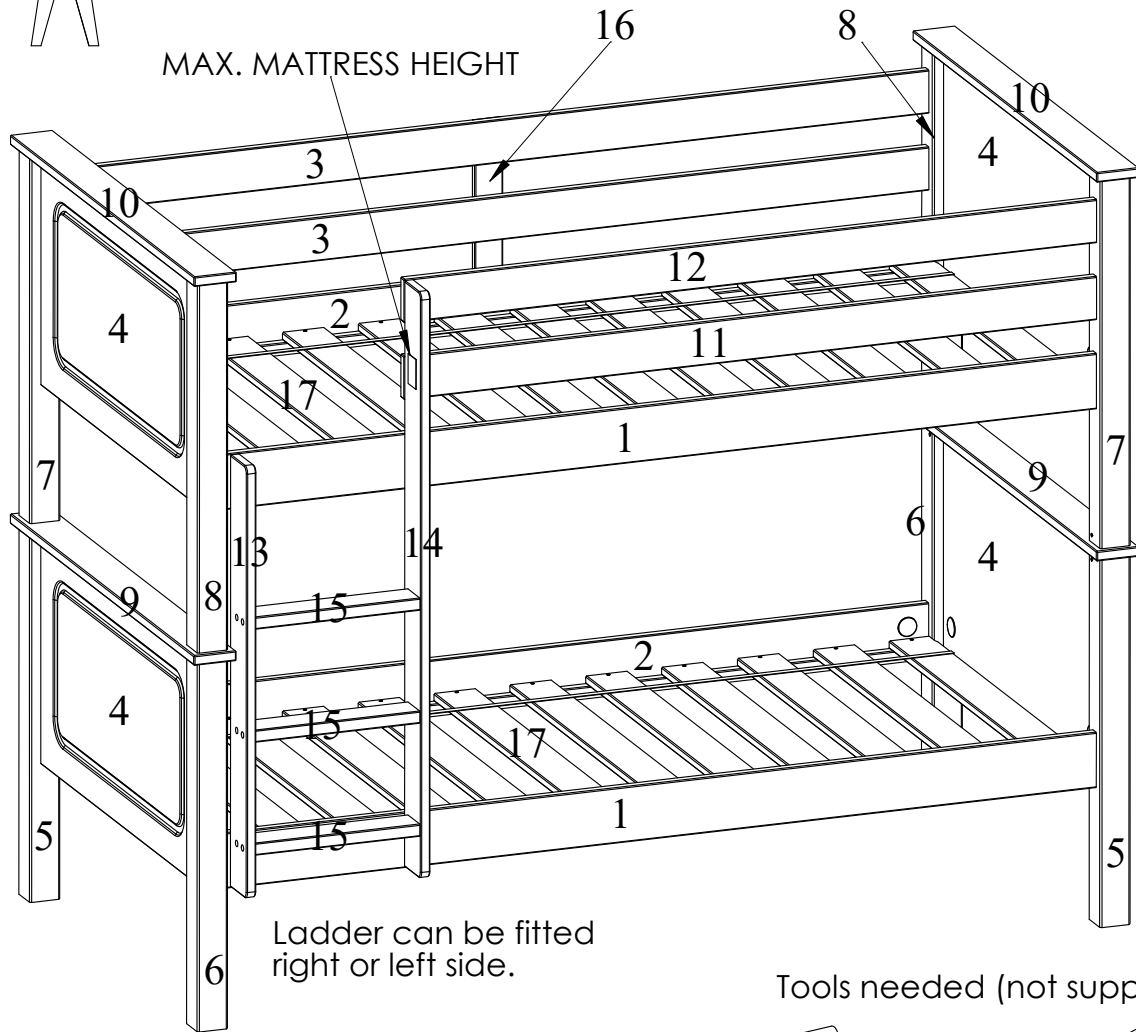
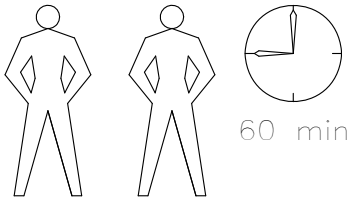
High sleepers and the upper tier of bunk beds are not suitable for children under 6 years of age due to risk of injury from falls.

High Sleepers and Bunk Beds present a risk of injury from strangulation if used incorrectly. Never attach or hang anything on any part of the bed that is not designed to be used with the bed, for example, but not limited to ropes, strings, cords, hooks, belts and bags.

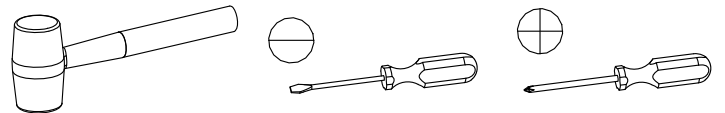
Children can become trapped between the bed and the wall, a roof pitch, the ceiling and other pieces of furniture (e.g. wardrobes). To avoid risk of serious injury, the distance between the top safety barrier and any adjoining structure shall not exceed 75mm or shall be more than 230mm.

Maximum thickness of a mattress on the top tier is 18cm. Please refer to the label or marking on the headboard.

This bed has been tested by an independent laboratory and is in compliance with BS EN 747-1 : 2012+A1:2015 - Standard Consumer Safety specification for bunk beds & high sleepers.



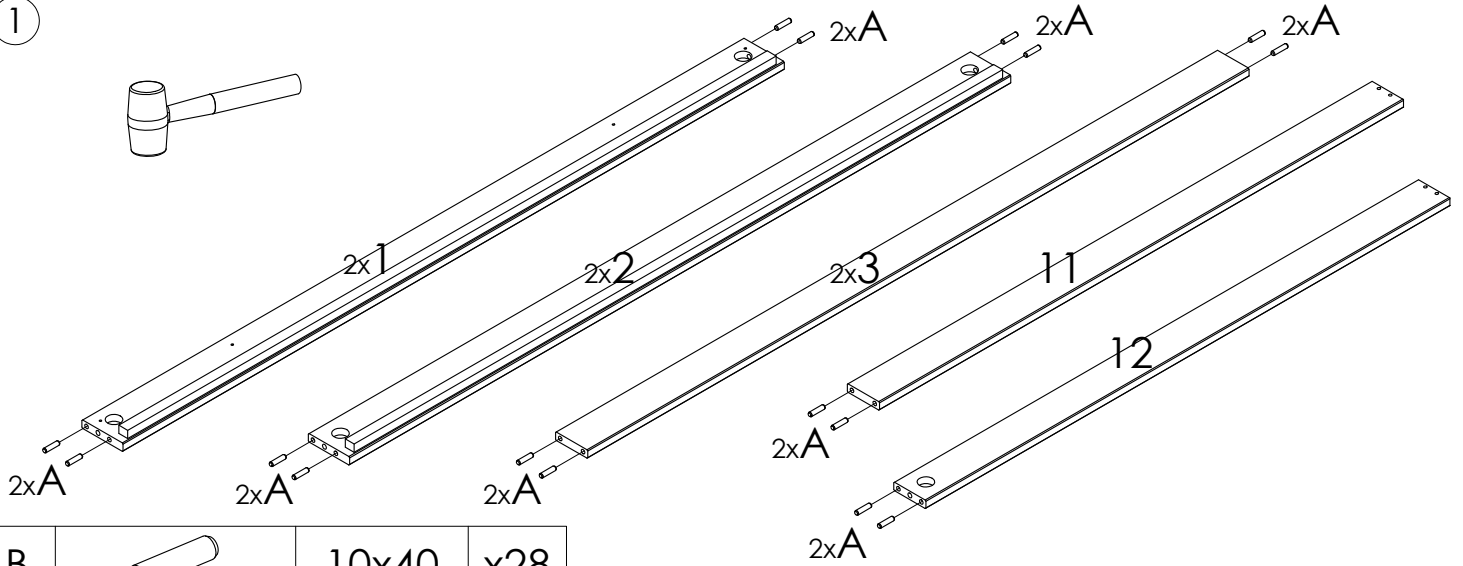
Tools needed (not supplied)



A		8x40	x56
B		10x40	x28
C		15x80	x4
D		M6x10x20	x16
E		M6x50	x17
F		D35	x17
G		7x50	x12
H		55/12,5x5	x8
J		3,5x40	x56
K		5x30	x6

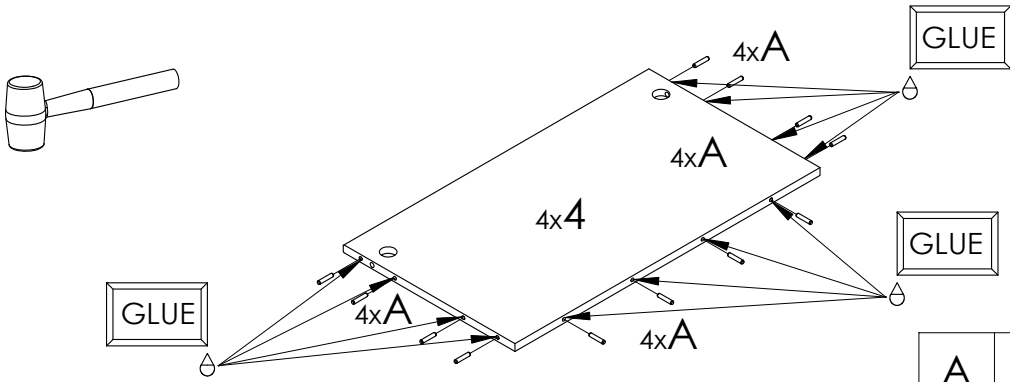
L		M6x10x13	x1
M		D4x13	x12
N		D10x15	x9
P		D15x18	x4
R		D35x40	x17
S			x1
T		6mm	x1
V		4mm	x1
Z		GLUE	x1

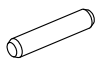
1



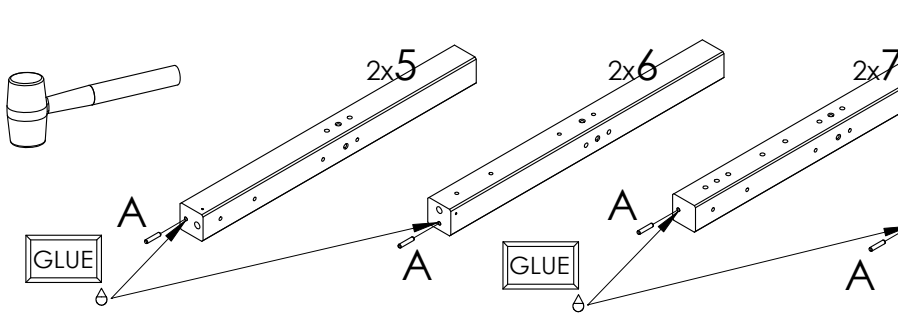
B		10x40	x28
---	---	-------	-----

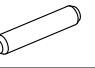
2



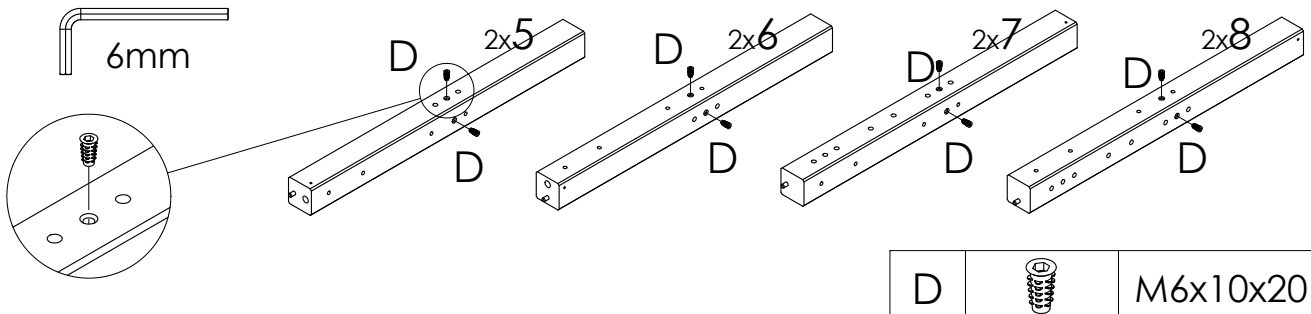
A		8x40	x48
---	---	------	-----


3



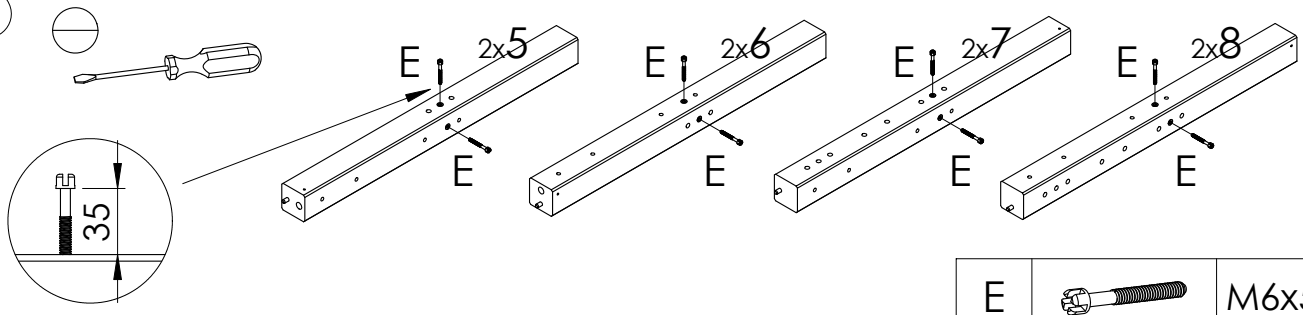
A		8x40	x8
---	---	------	----

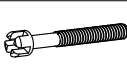
4



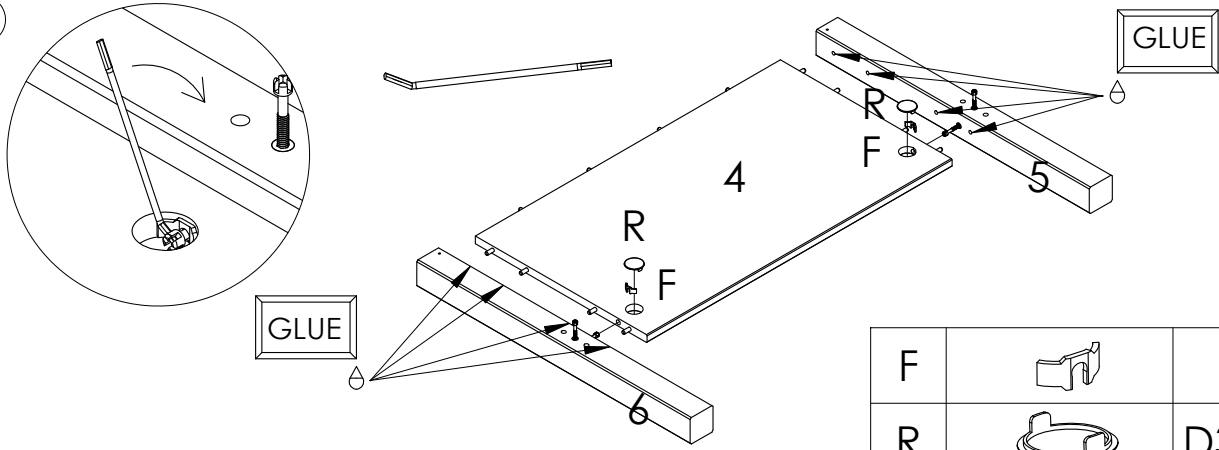
D		M6x10x20	x16
---	---	----------	-----

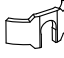

5



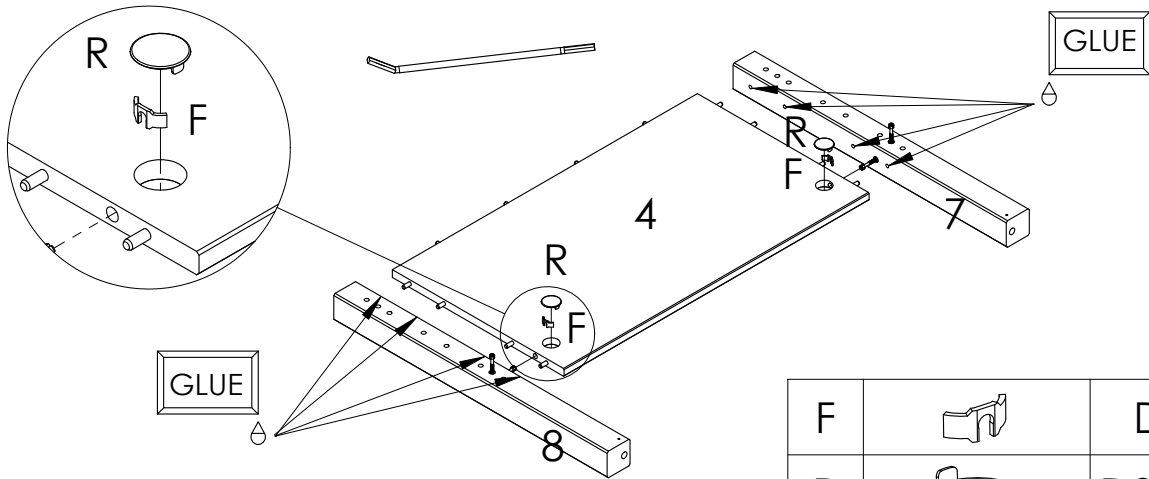
E		M6x50	x16
---	---	-------	-----

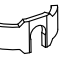

6



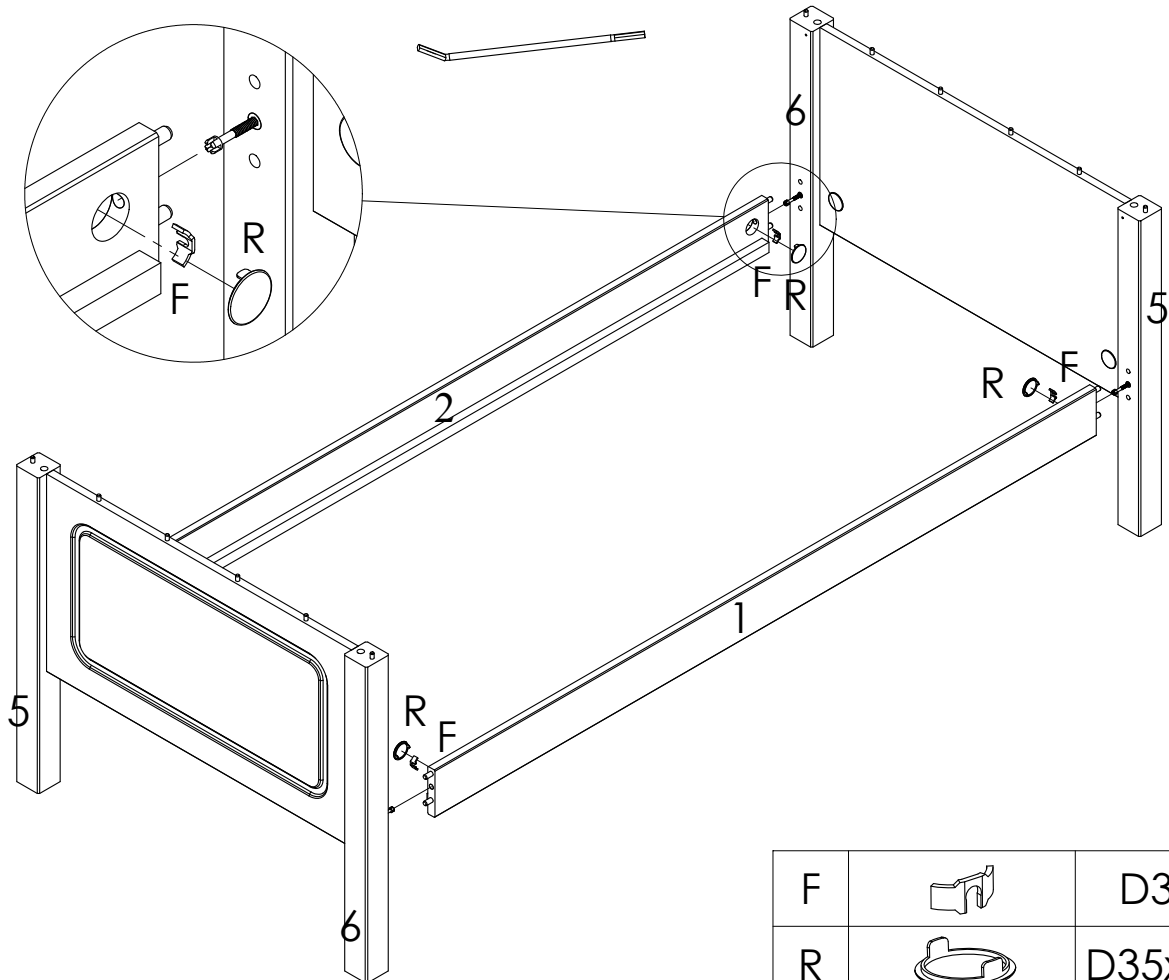
F		D35	x4
R		D35x40	x4



7



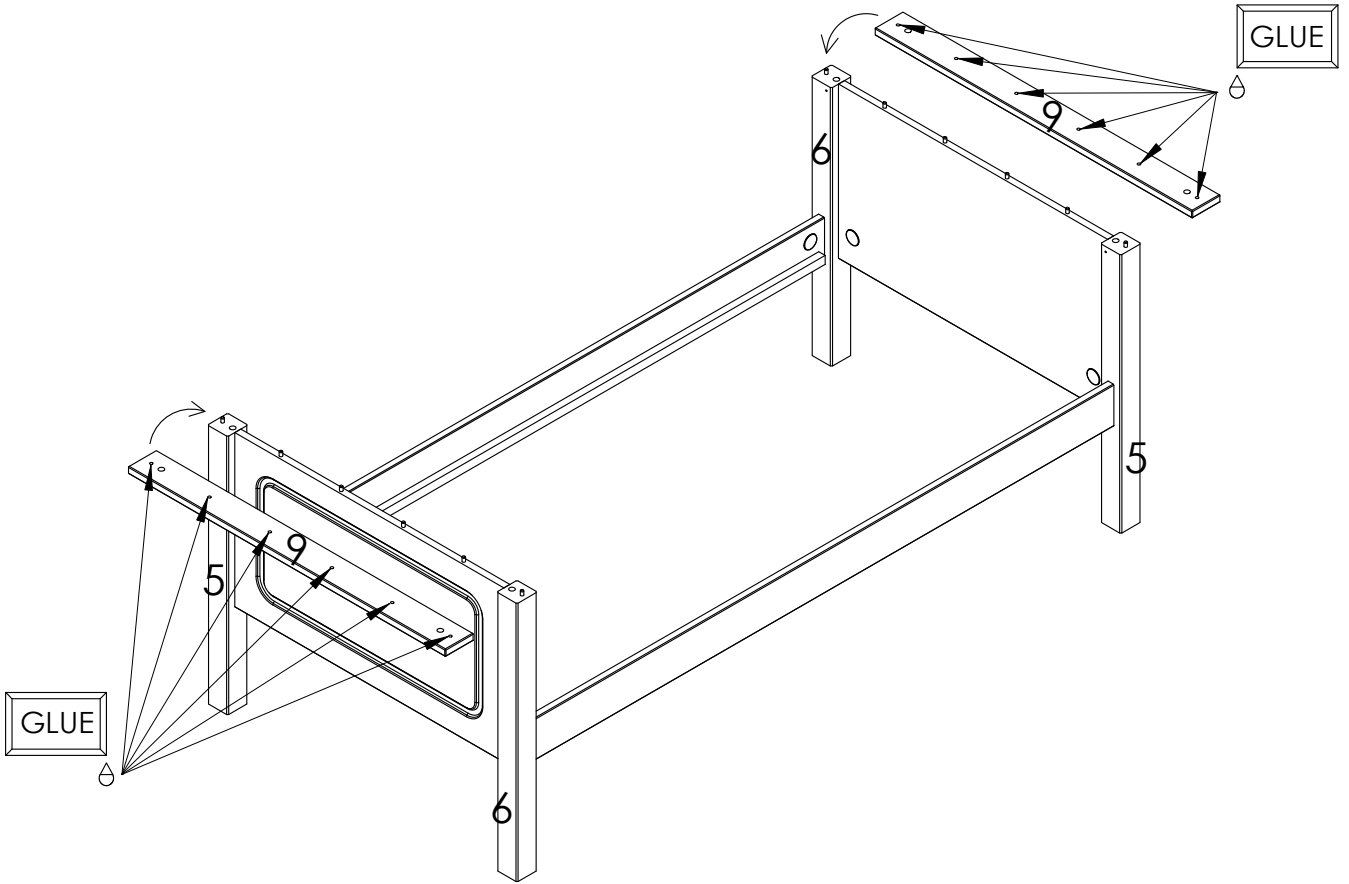
F		D35	x4
R		D35x40	x4

8

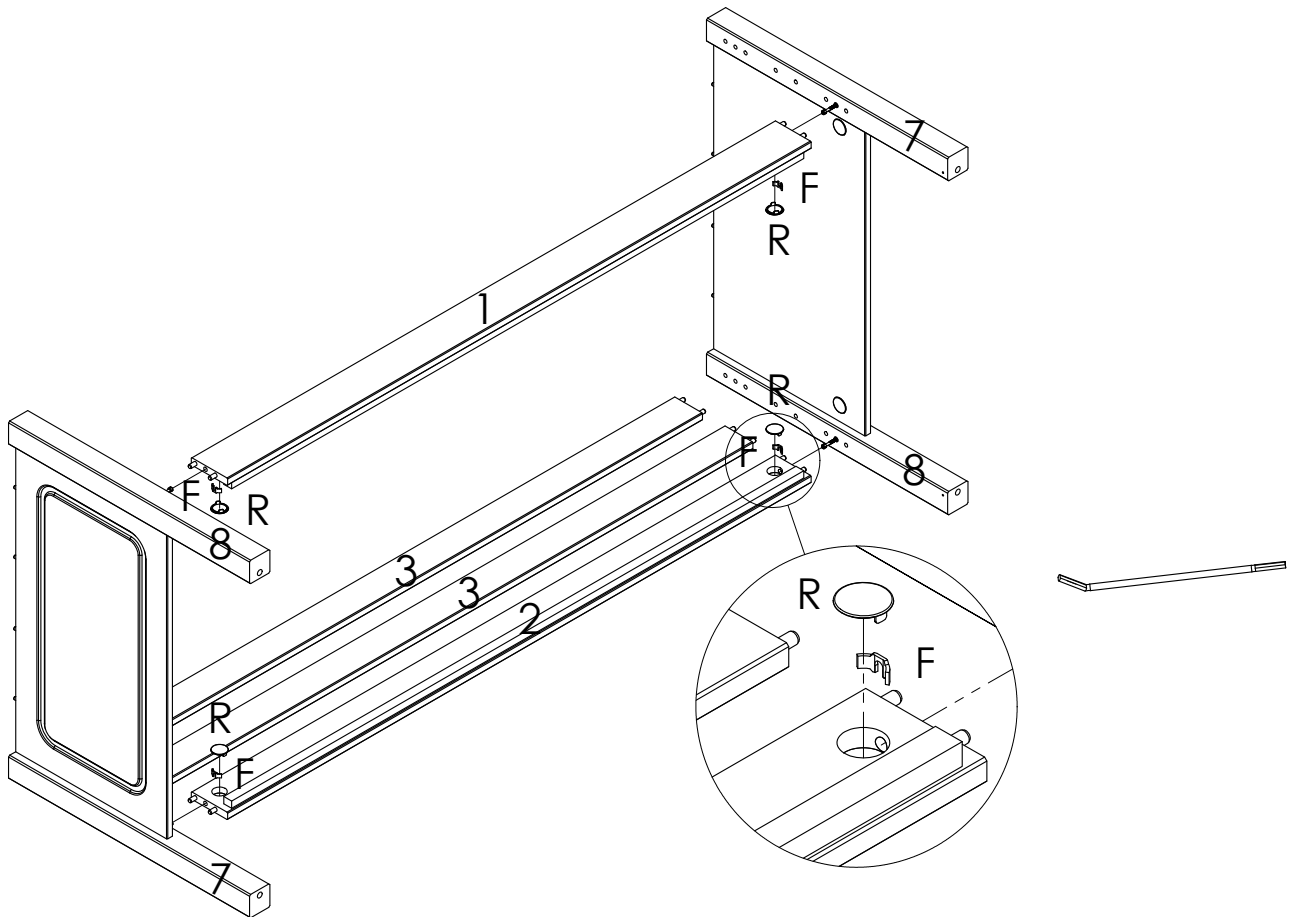


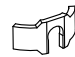

F		D35	x4
R		D35x40	x4

9

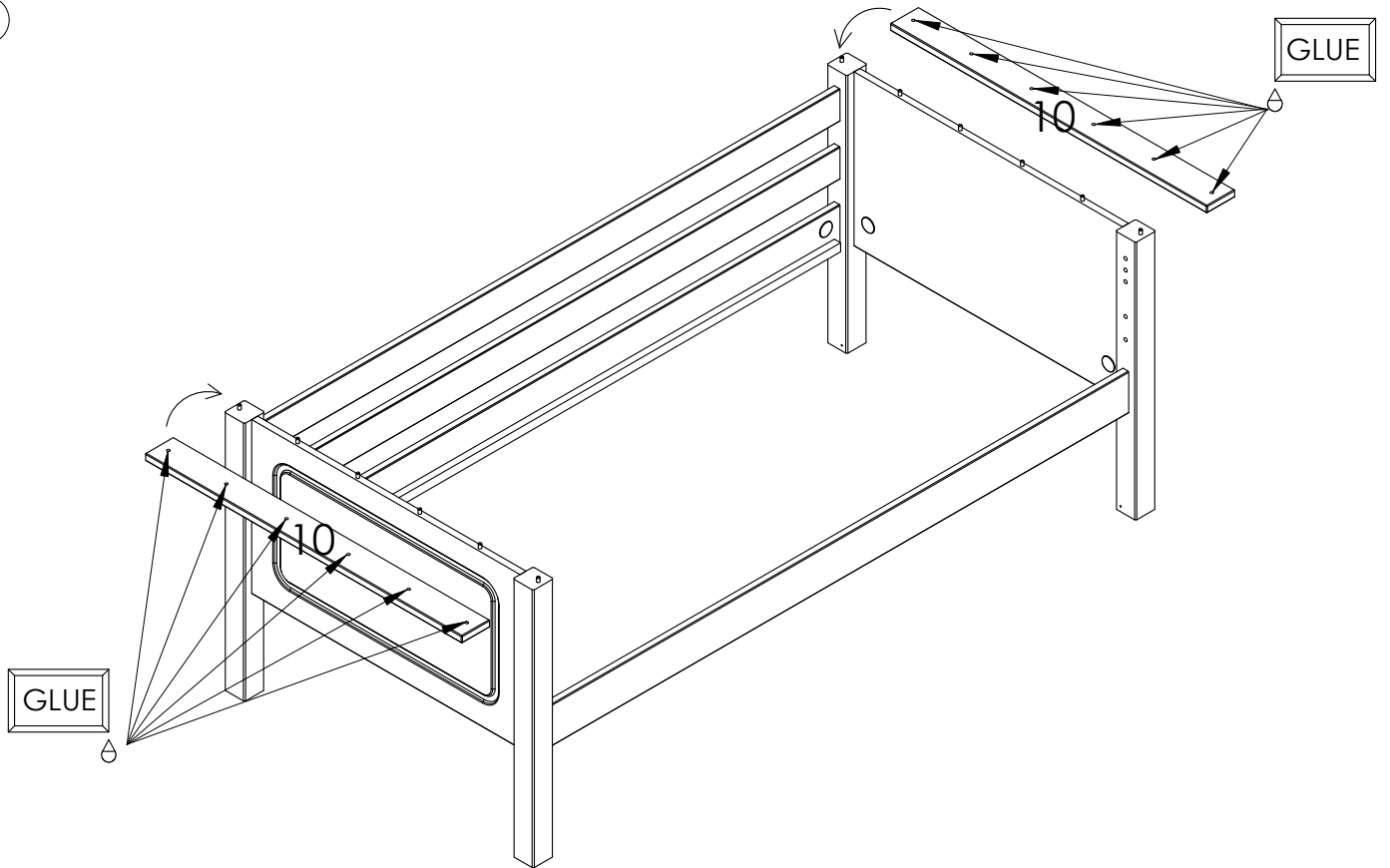


10

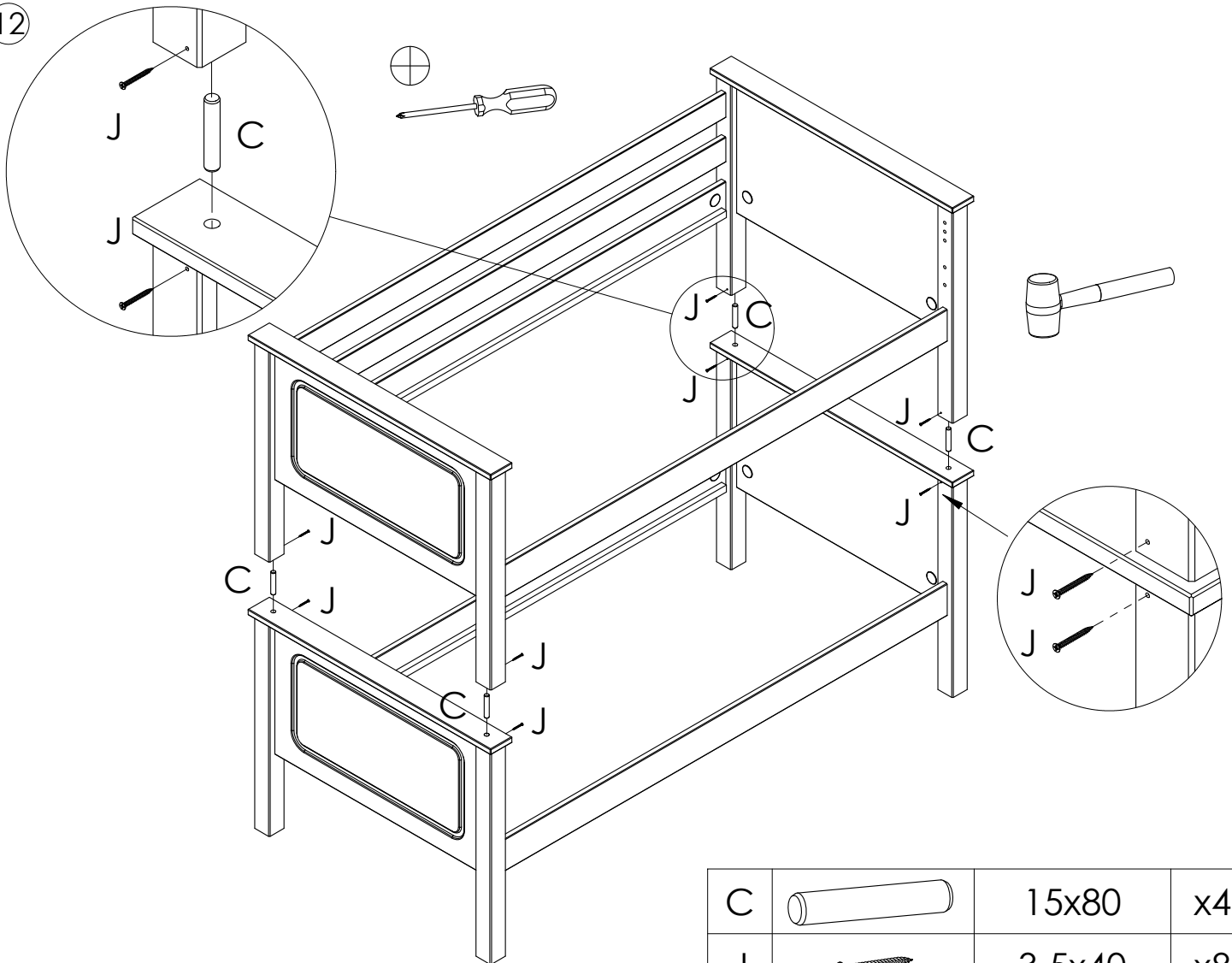


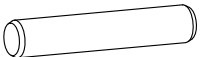

F		D35	x4
R		D35x40	x4

11



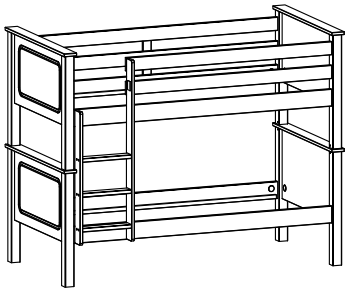
12



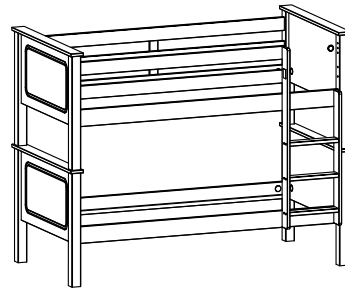
C		15x80	x4
J		3,5x40	x8

13

LADDER LEFT



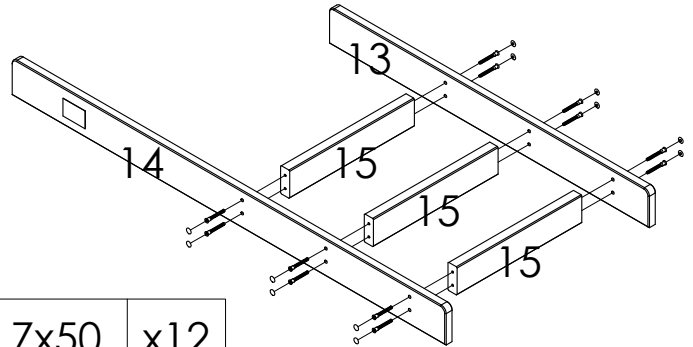
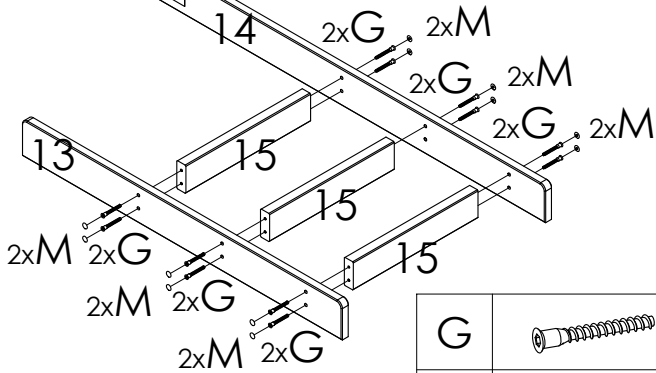
LADDER RIGHT



ASSEMBLING LADDER LEFT SIDE



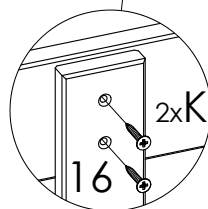
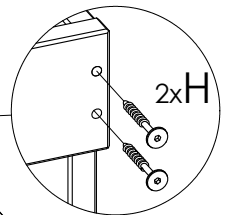
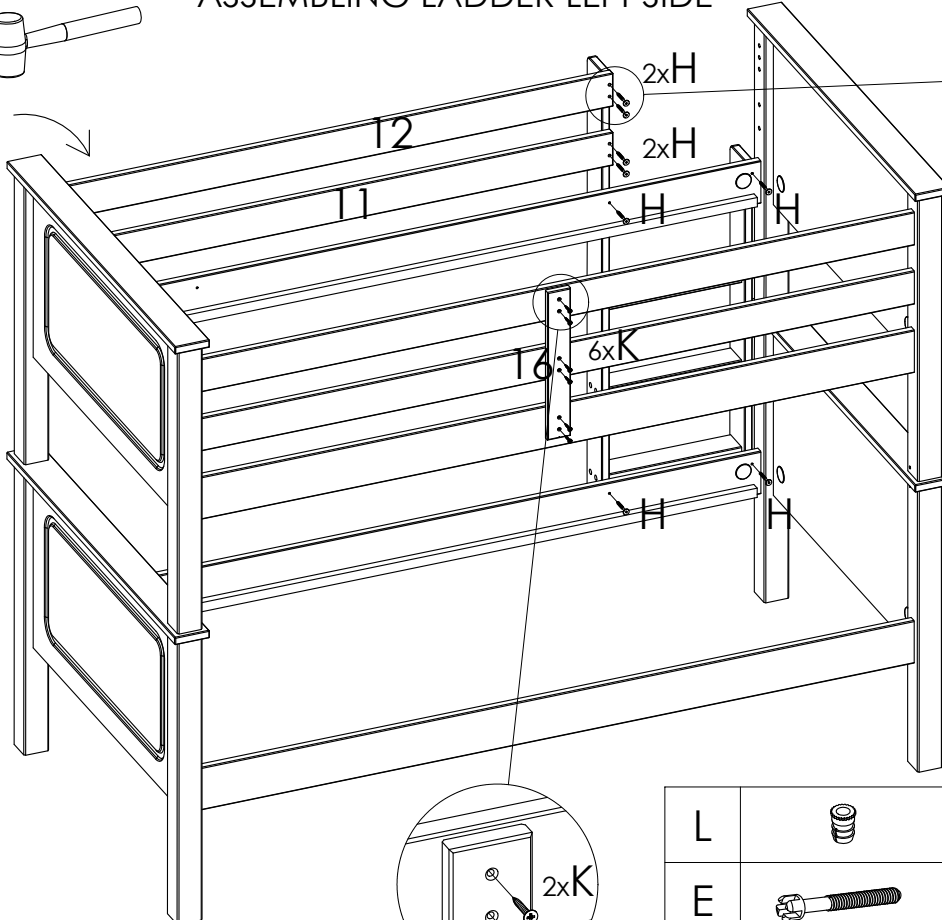
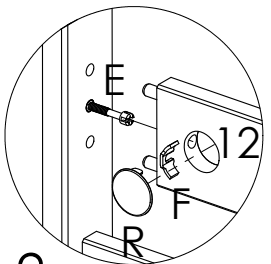
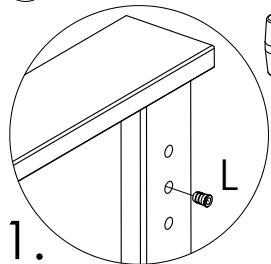
ASSEMBLING LADDER RIGHT SIDE



G		7x50	x12
M		D4x13	x12

14

ASSEMBLING LADDER LEFT SIDE

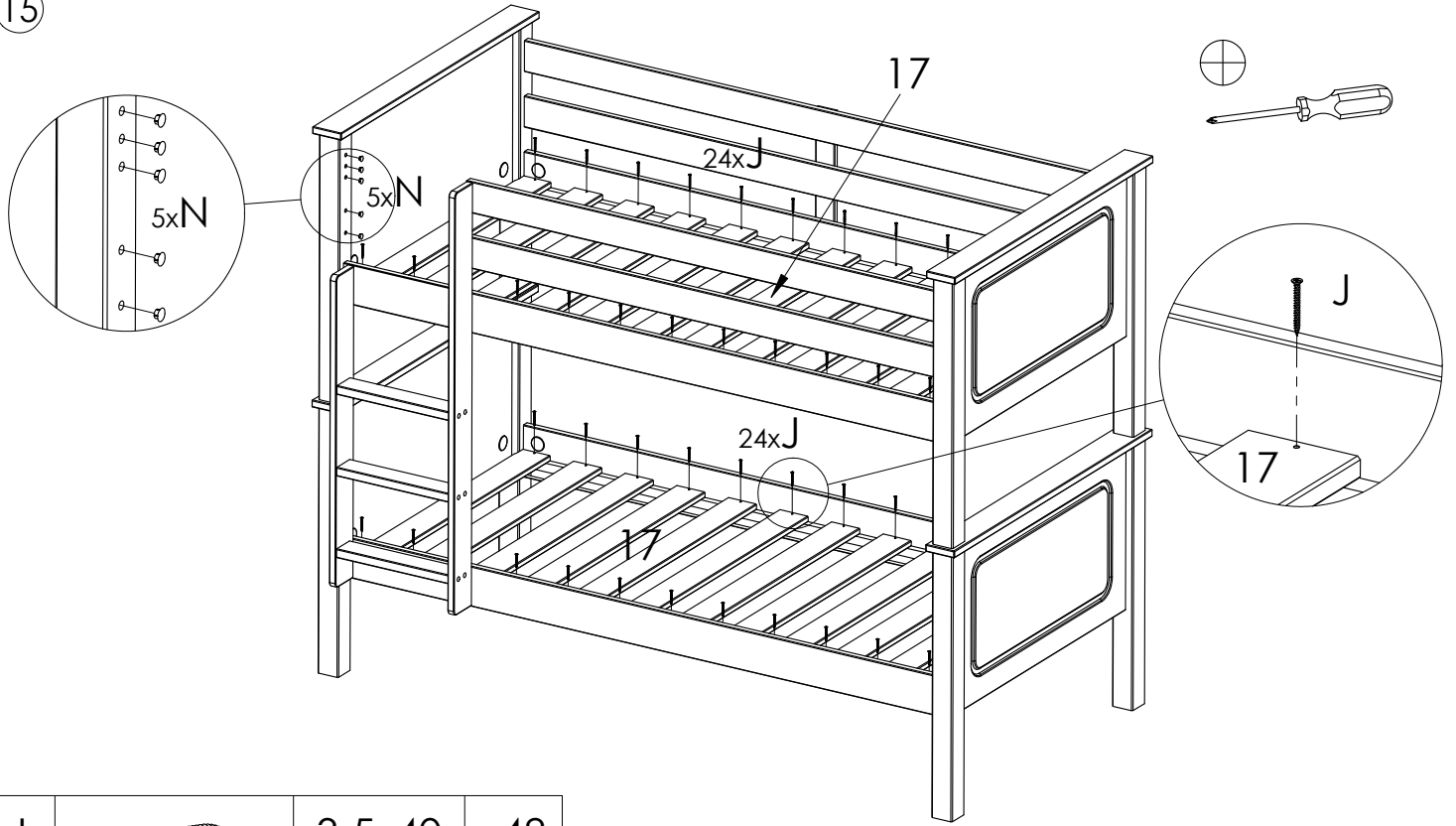




H		55/12,5x20	x8
K		5x30	x6

L		M6x10x13	x1
E		M6x50	x1
F		D35	x1
R		D34x40	x1

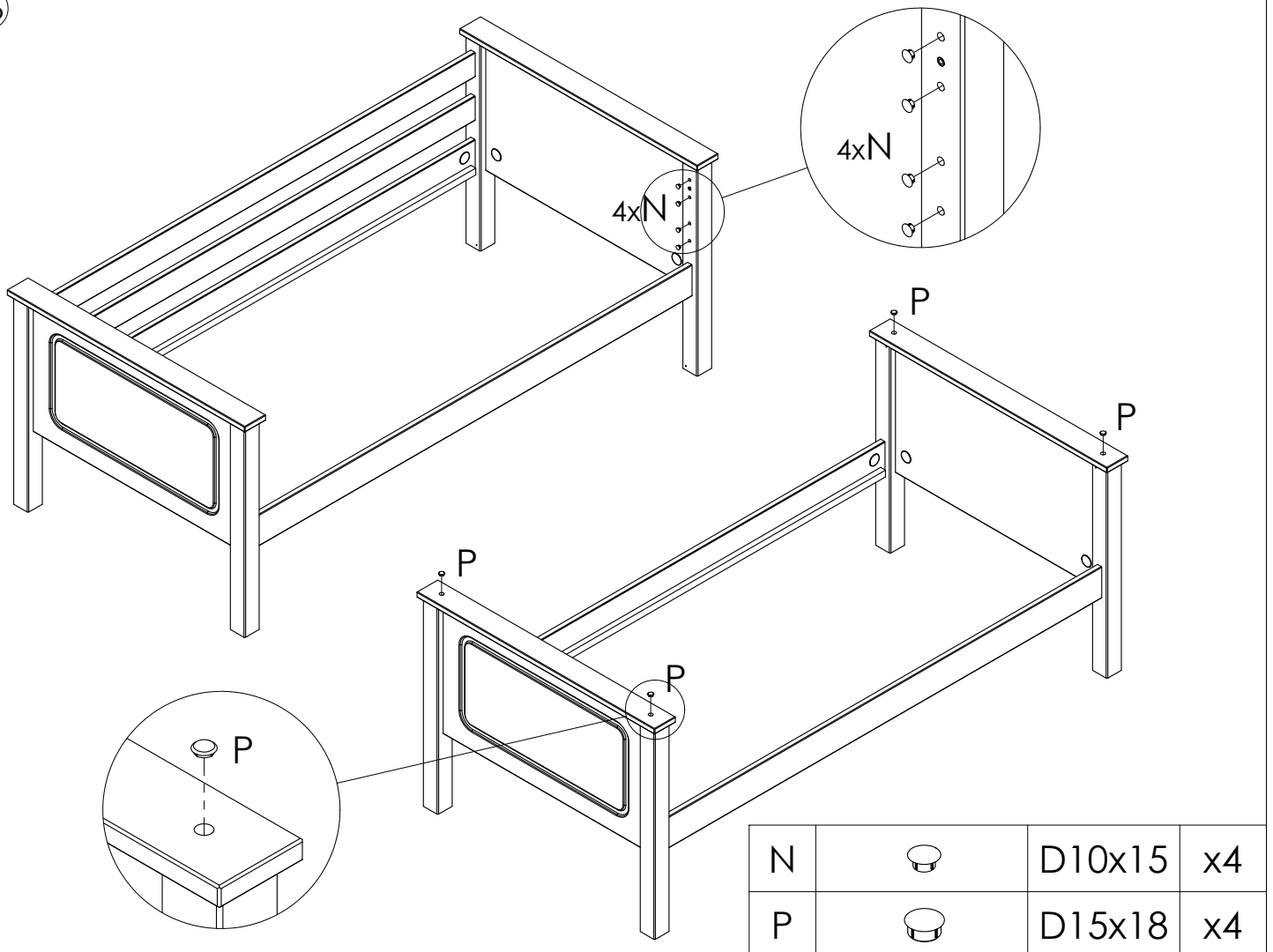




15



J		3,5x40	x48
N		D10x15	x5

16



N		D10x15	x4
P		D15x18	x4

Please dispose of all packaging safely.

## General Care & Maintenance

Wipe clean with a slightly damp cloth.  
Avoid the use of all household cleaners and abrasives.

Periodically check all screw & fixings to ensure they are secure.  
When moving your product, carefully lift into place. Never drag or push the pieces across the floor as this will cause damage to the joints and could result in failure to the product that will invalidate the warranty.

For more information on cleaning and product care visit:  
<https://www.happybeds.co.uk/help-and-advice>

## Notes

We've tried to make this product as easy to assemble as possible. In the unlikely event that you have problems putting it together or have damaged or missing pieces, please contact us by visiting:

<https://www.happybeds.co.uk/customer-service>



[www.happybeds.co.uk](http://www.happybeds.co.uk)

